



US00D356574S

# United States Patent [19]

[11] Patent Number: **Des. 356,574**

**Yazawa**

[45] Date of Patent: **\*\* Mar. 21, 1995**

[54] PUMP

[75] Inventor: **Haruji Yazawa**, Edogawa, Japan

[73] Assignee: **Kaiyo Kogyo Kabushiki Kaisha**, Tokyo, Japan

[\*\*] Term: **14 Years**

[21] Appl. No.: **12,885**

[22] Filed: **Sep. 14, 1993**

[52] U.S. Cl. .... **D15/8**

[58] Field of Search ..... D23/231, 232, 213, 207; 417/234, 258, 321, 410 B, 415-416, 426, 535-537; 152/415-416, 426; D30/106; D15/7-8; D22/134; 210/242.2; 261/77, 120, 123

4,702,830 10/1987 Makino et al. .... 210/77  
 4,752,421 6/1988 Makino ..... 261/120  
 4,911,838 3/1990 Tanaka ..... 210/242.2

*Primary Examiner*—Ralf T. Seifert  
*Attorney, Agent, or Firm*—Wenderoth, Lind & Ponack

### [57] CLAIM

The ornamental design for a pump, as shown and described.

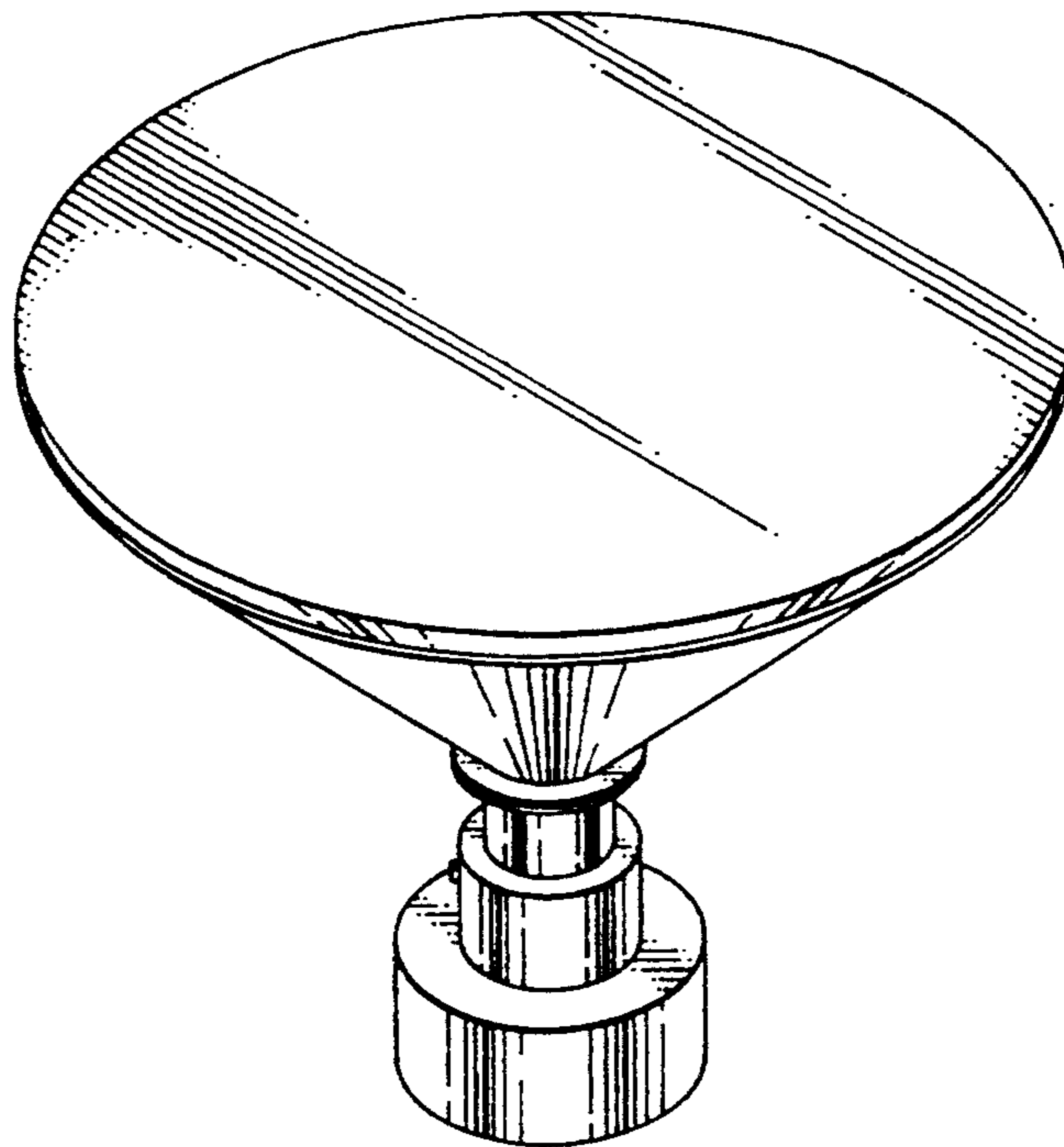
### DESCRIPTION

FIG. 1 is a perspective view of a pump showing my new design;  
 FIG. 2 is a front elevational view thereof;  
 FIG. 3 is a rear elevational view thereof;  
 FIG. 4 is a right side elevational view thereof; the left side elevational view being a mirror image;  
 FIG. 5 is a top plan view thereof;  
 FIG. 6 is a bottom plan view thereof; and,  
 FIG. 7 is a cross-sectional view taken along line 7-7 in FIG. 2.

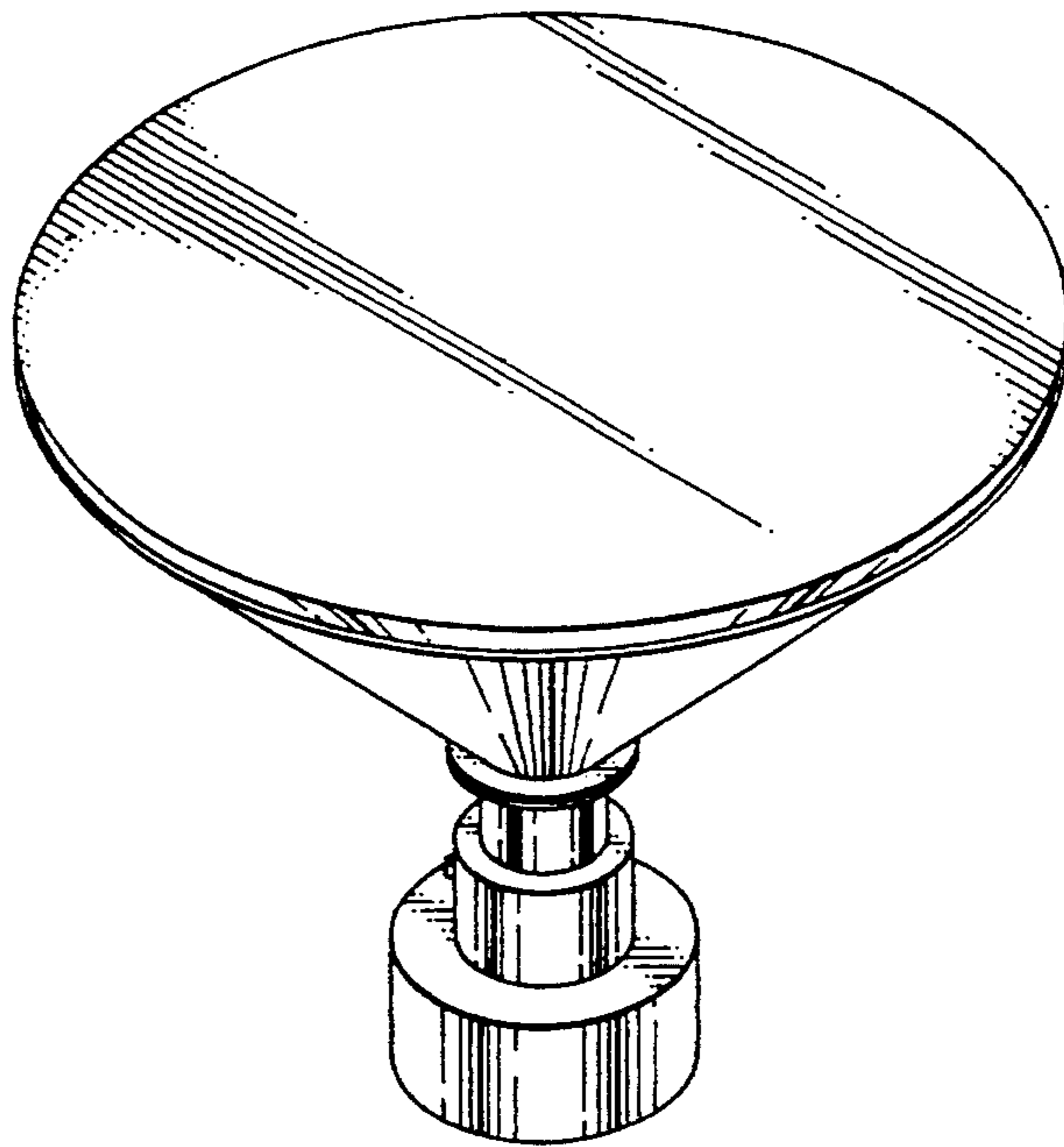
[56] **References Cited**

**U.S. PATENT DOCUMENTS**

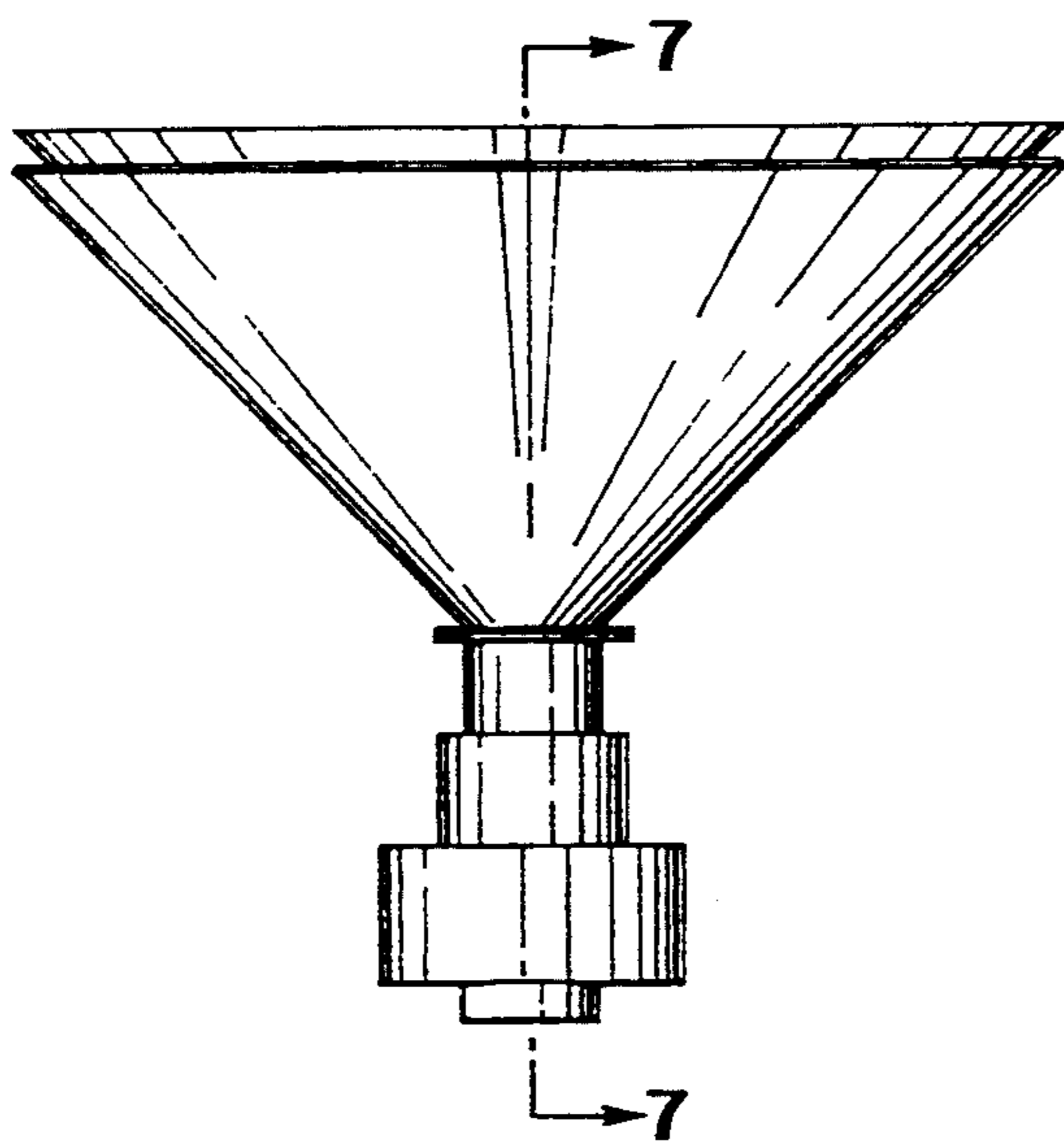
2,364,686 12/1944 Balisteri et al. .... D15/8  
 4,472,113 9/1984 Roger ..... 417/321



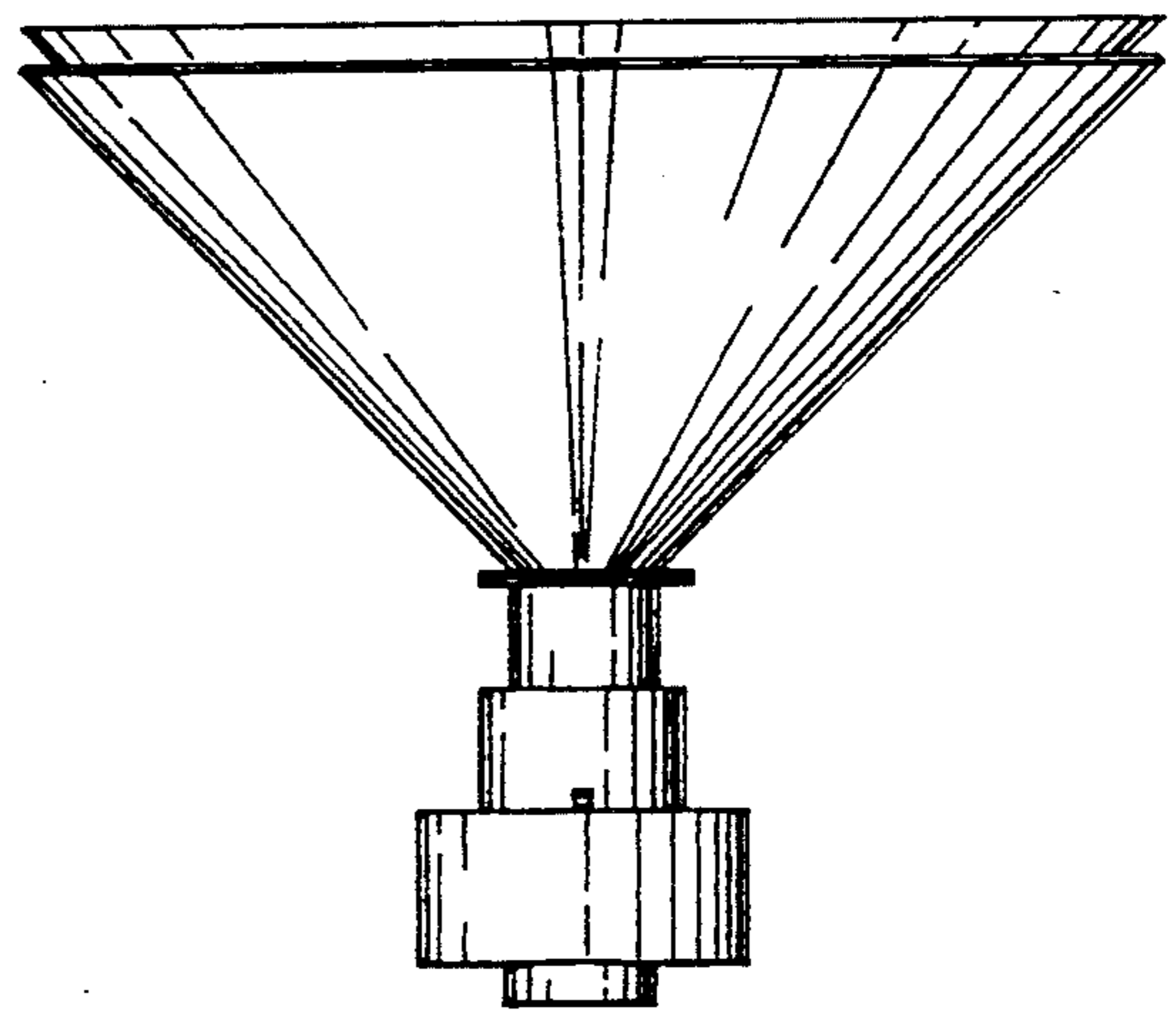
**FIG. 1**



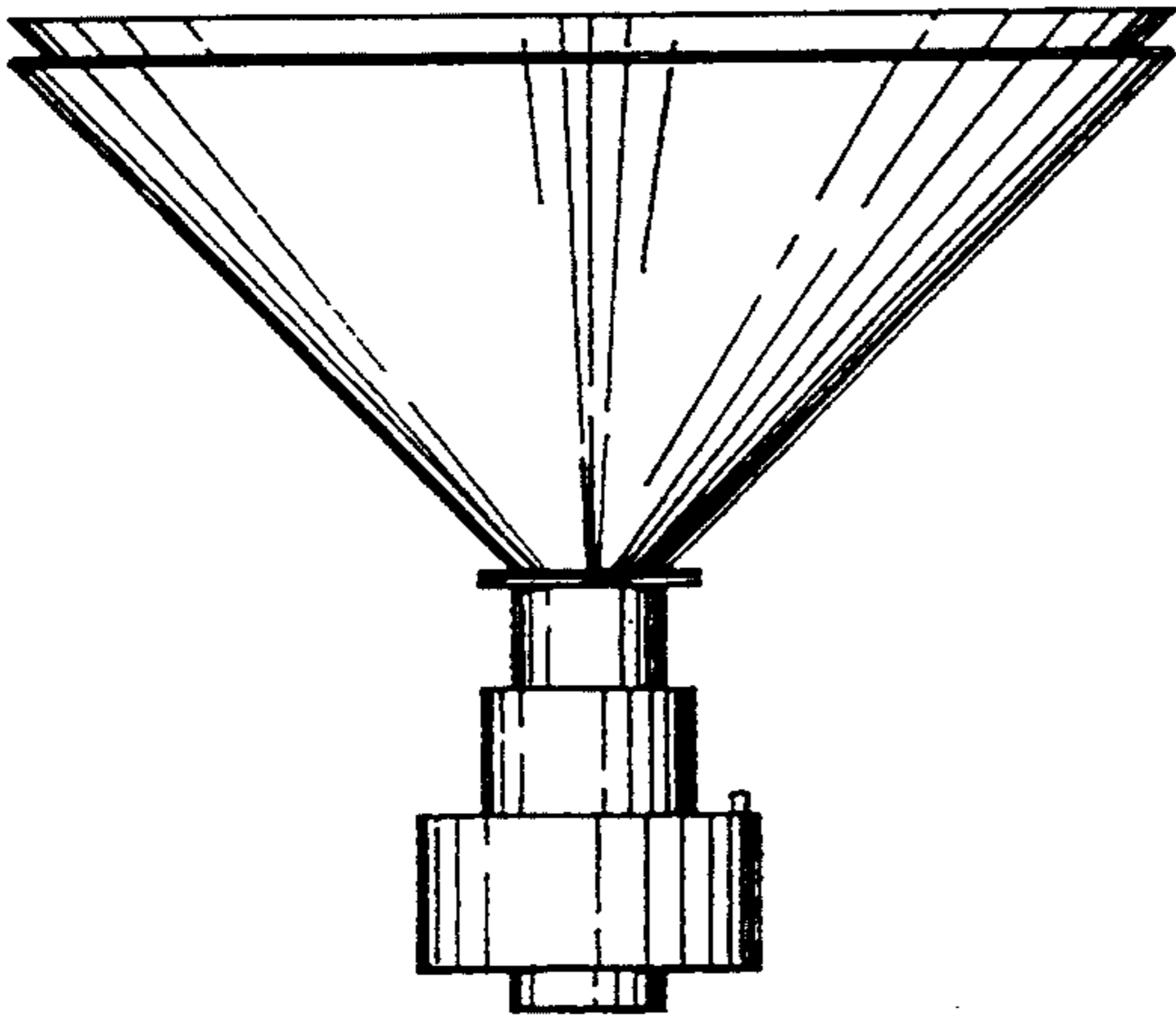
**FIG. 2**



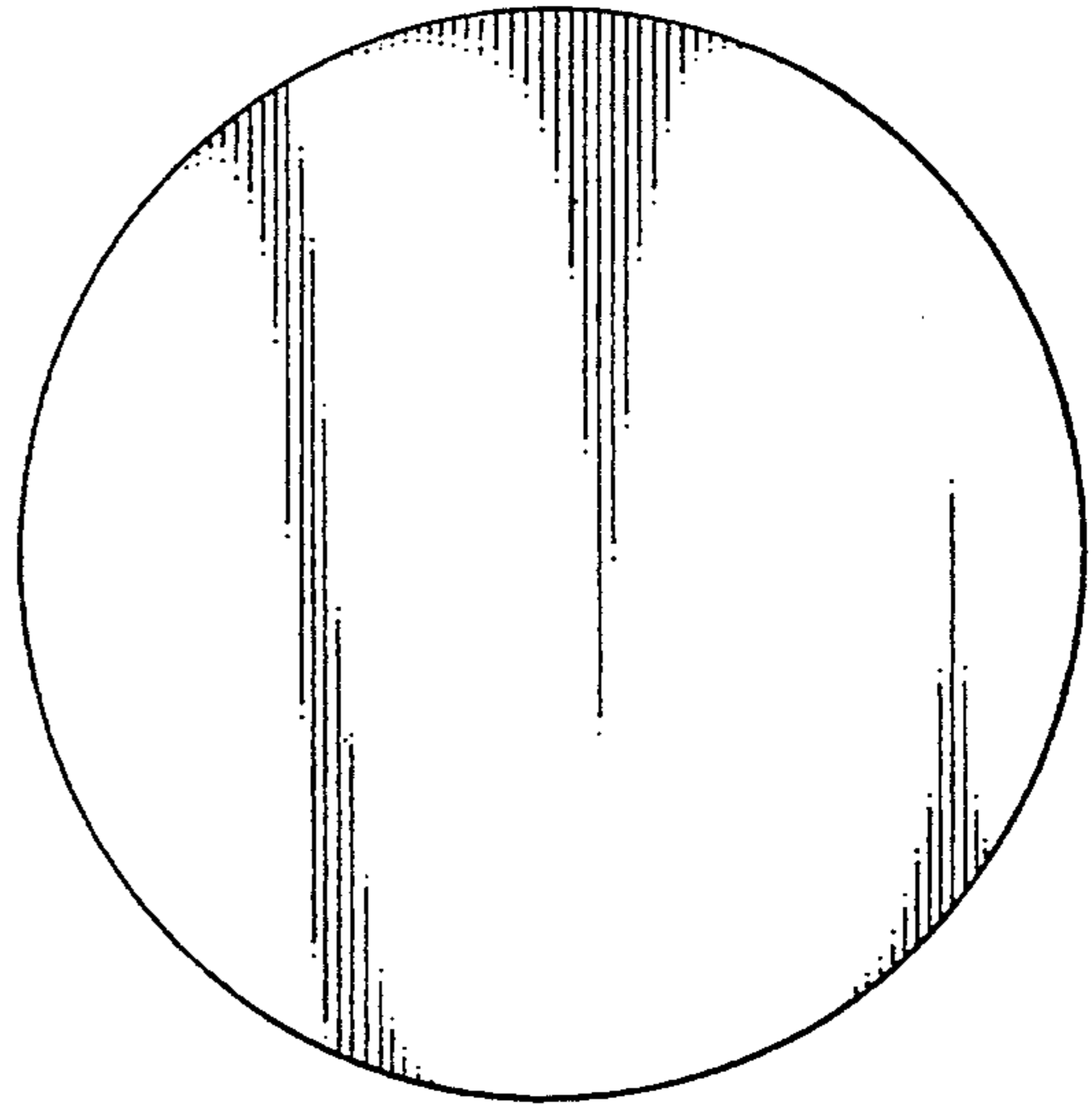
**FIG. 3**



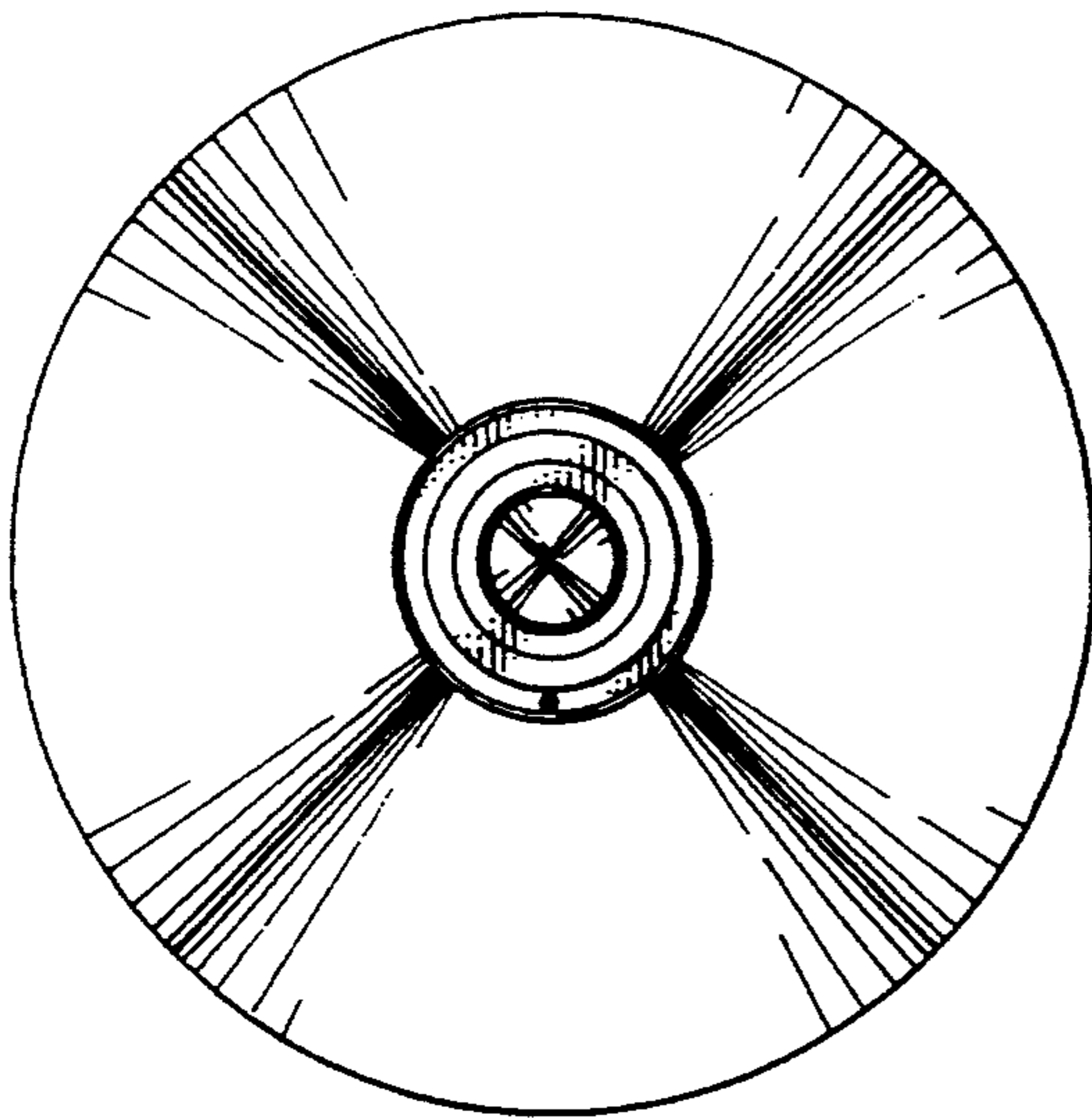
**FIG. 4**



**FIG. 5**



**FIG. 6**



**FIG. 7**

