



US00D356573S

United States Patent [19]

[11] Patent Number: **Des. 356,573**

Makino

[45] Date of Patent: **** Mar. 21, 1995**

[54] **PUMP**

4,472,113	9/1984	Roger	417/321
4,702,830	10/1987	Makino et al.	210/220
4,752,421	6/1988	Makino	261/120
4,911,838	3/1990	Tanaka	210/242.2

[75] Inventor: **Michio Makino**, Funabashi, Japan

[73] Assignee: **Kaiyo Kogyo Kabushiki Kaisha**,
Tokyo, Japan

[**] Term: **14 Years**

[21] Appl. No.: **12,889**

[22] Filed: **Sep. 14, 1993**

FOREIGN PATENT DOCUMENTS

813326 6/1991 Japan .

Primary Examiner—Ralf T. Seifert

Attorney, Agent, or Firm—Wenderoth, Lind & Ponack

[30] Foreign Application Priority Data

Mar. 3, 1992 [JP] Japan 4-5909

[52] U.S. Cl. **D15/7; D15/8**

[58] Field of Search D23/231, 232, 213, 207;
417/234, 258, 321, 410 B, 415-416, 426,
535-537; 152/415-416, 426; D30/106;
D15/7-8; D22/134; 210/242.2, 220; 261/77,
120, 123

[57] CLAIM

The ornamental design for a pump, as shown and described.

[56] References Cited

U.S. PATENT DOCUMENTS

D. 208,618 9/1967 Munch D23/213

D. 324,279 2/1992 Gross D3/106

DESCRIPTION

FIG. 1 is a perspective view of a pump showing my new design;

FIG. 2 is a front elevational view thereof, the rear elevational view being a mirror image;

FIG. 3 is a right side elevational view thereof;

FIG. 4 is a top plan view thereof;

FIG. 5 is a bottom plan view thereof;

FIG. 6 is a left side elevational view thereof; and,

FIG. 7 is a cross-sectional view thereof taken along line 7-7 in FIG. 3.

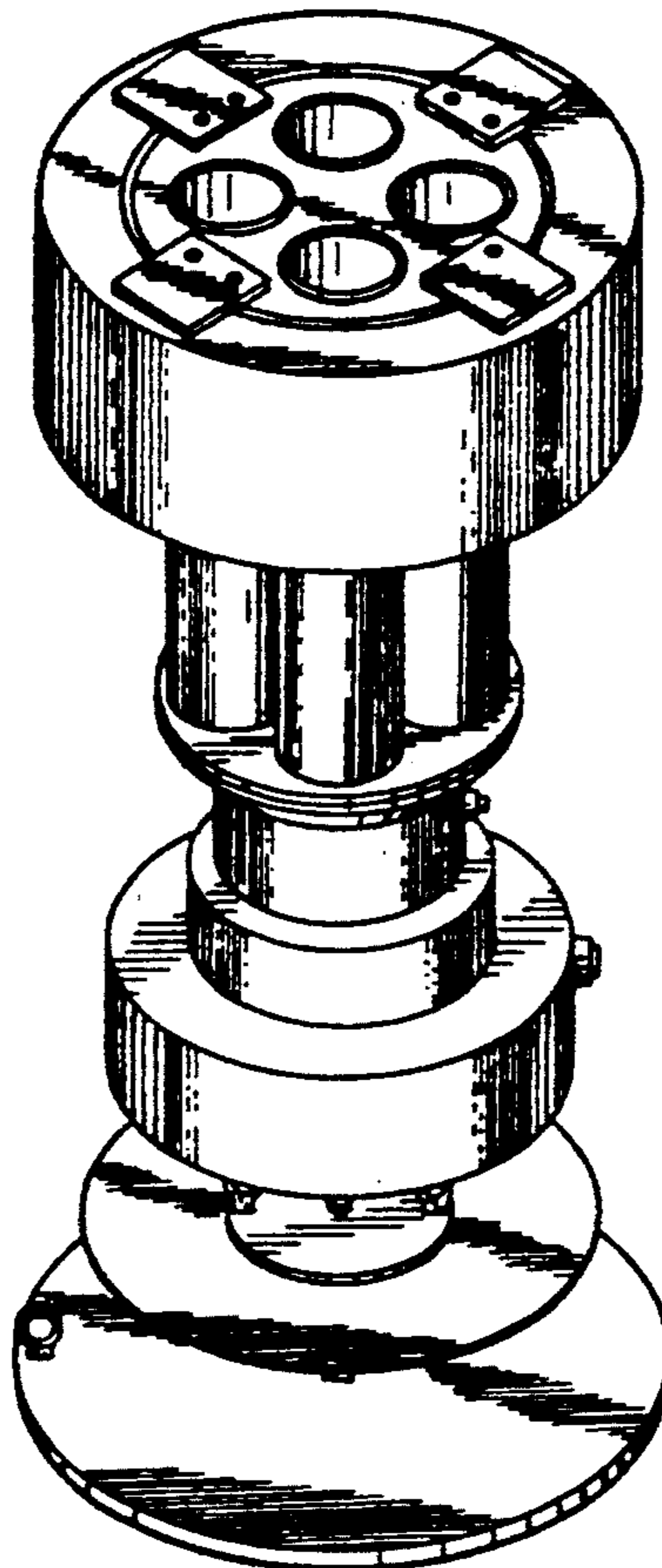


FIG. 1

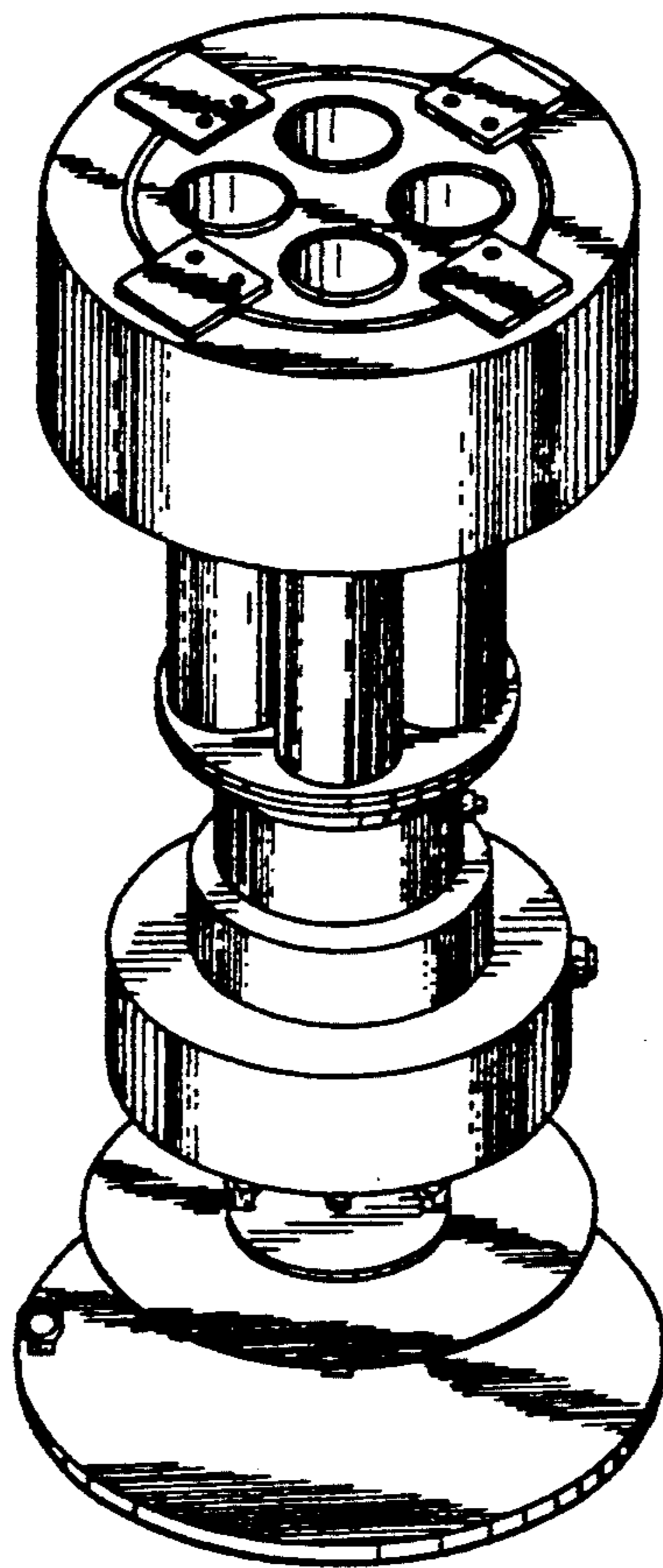


FIG. 2

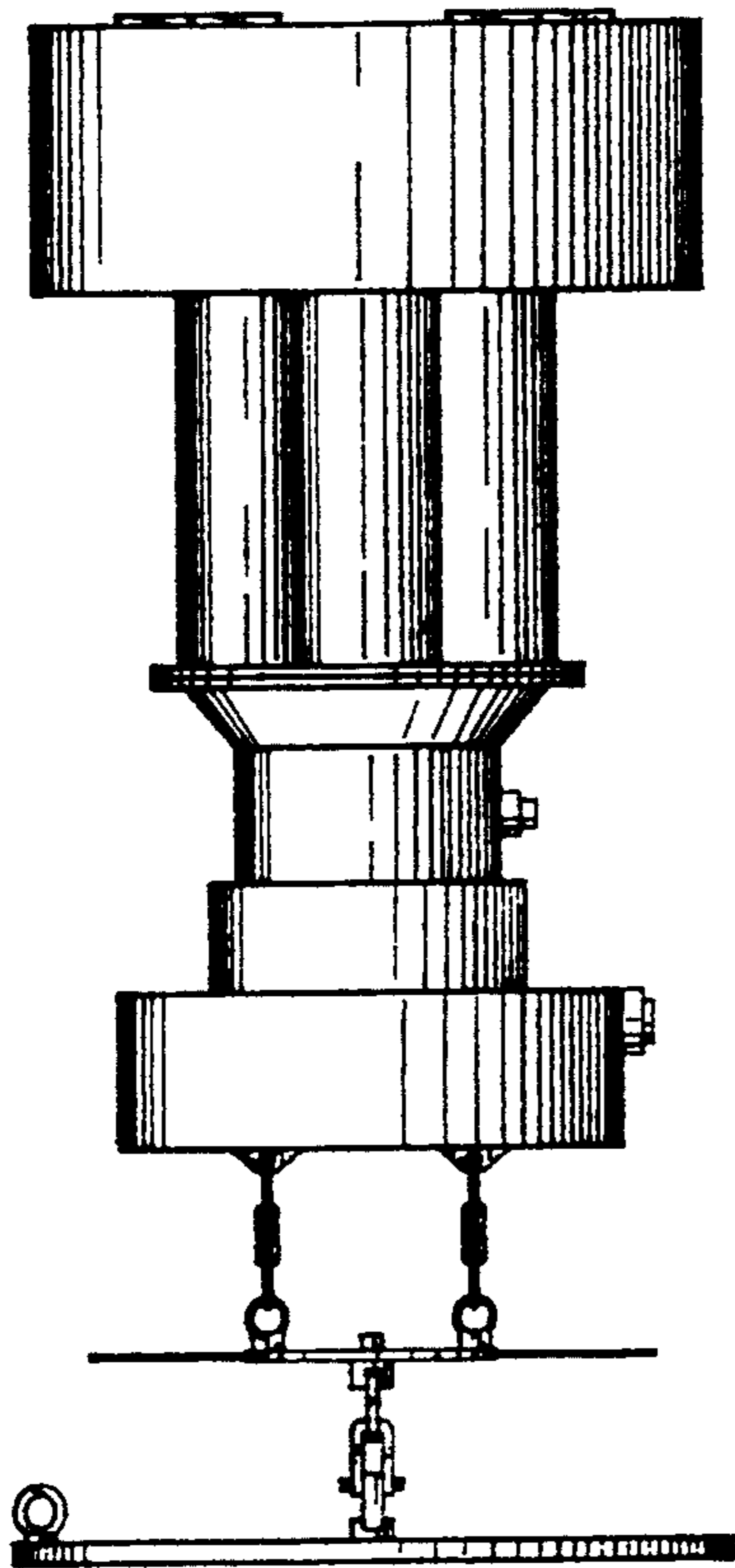


FIG. 3

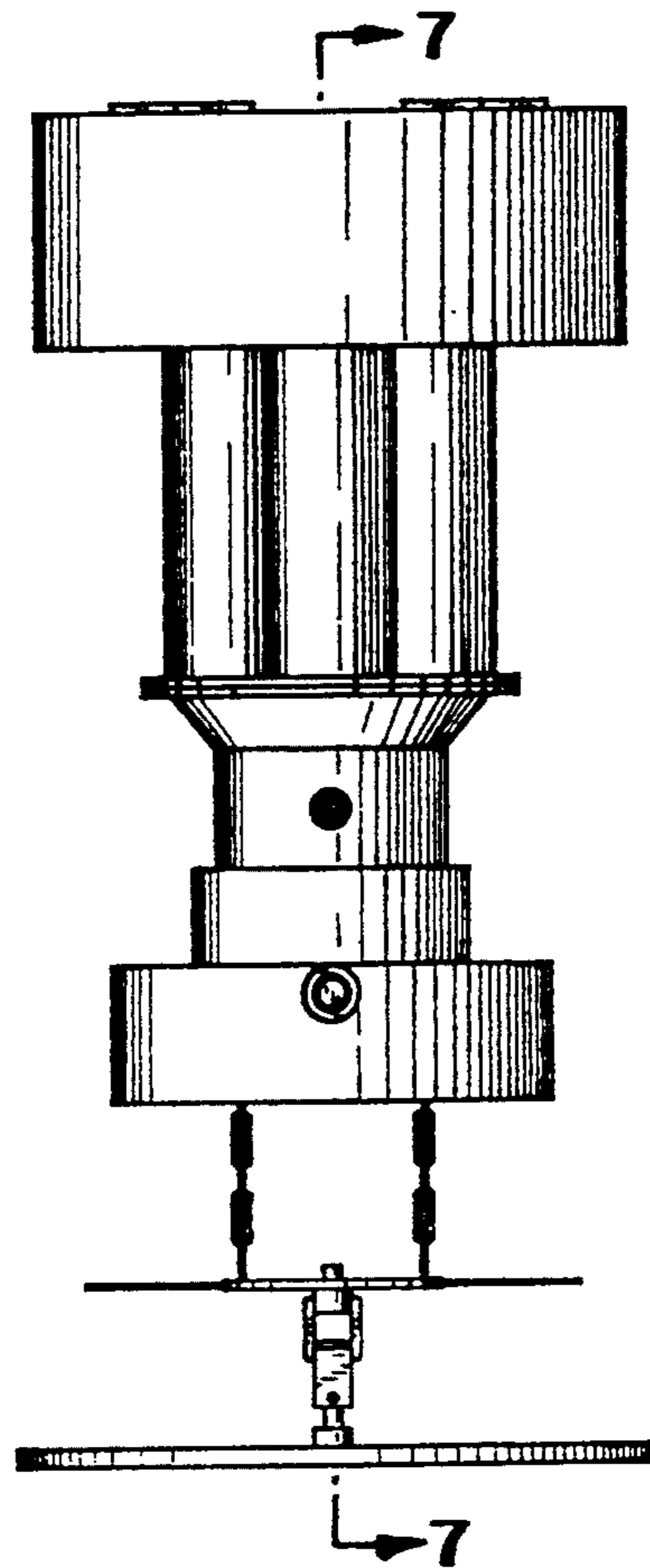


FIG. 4

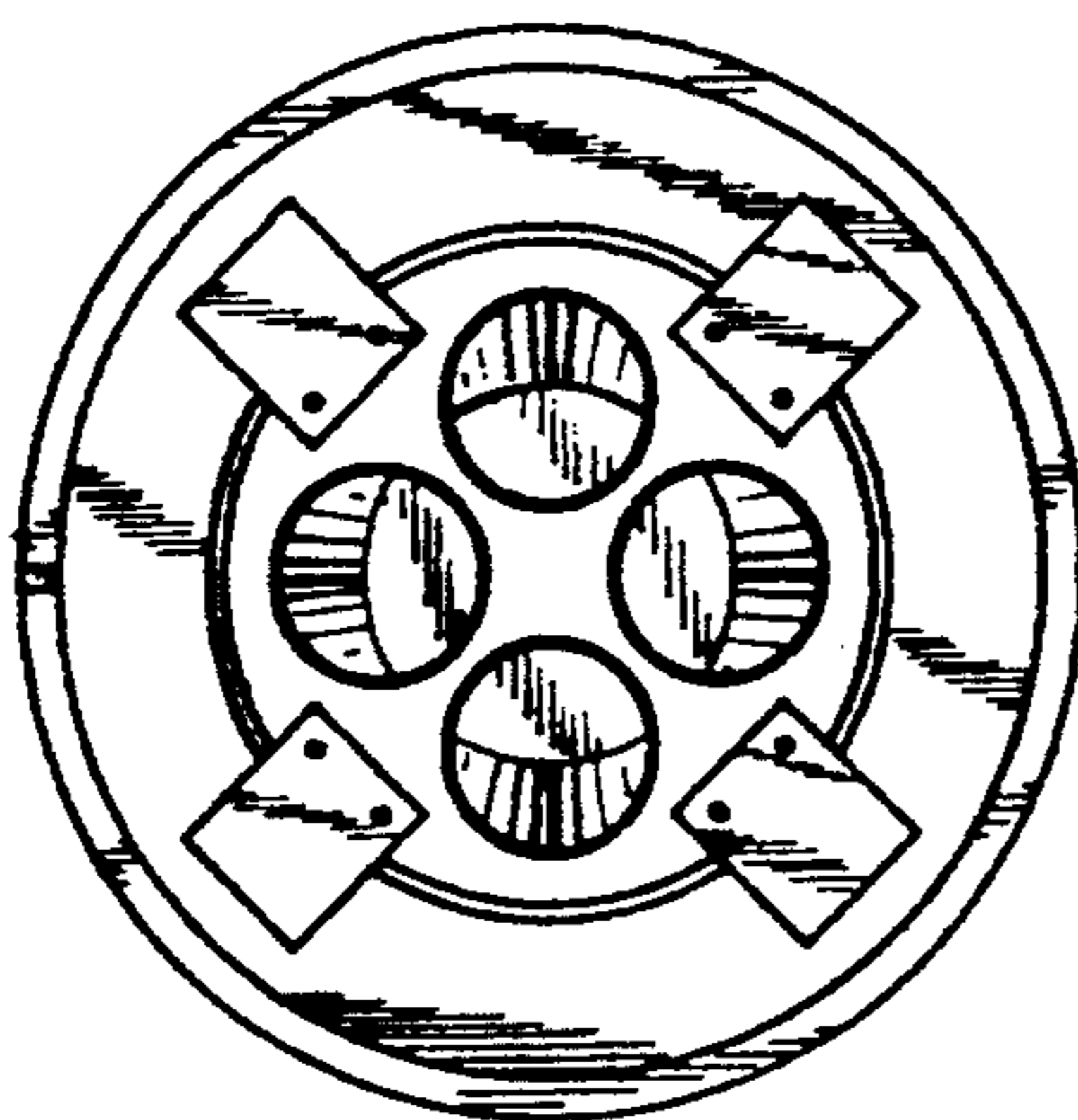


FIG. 5

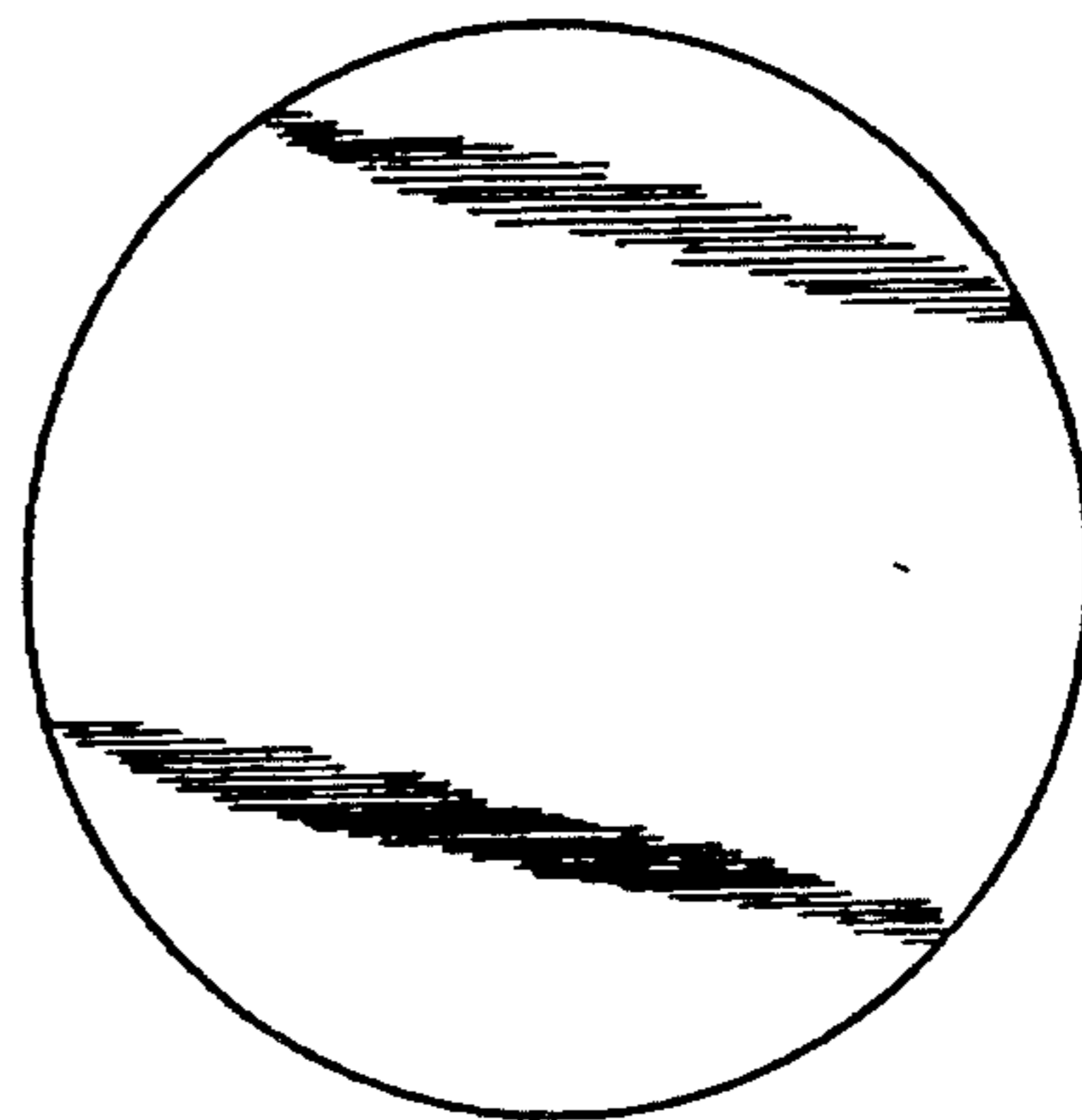


FIG. 6

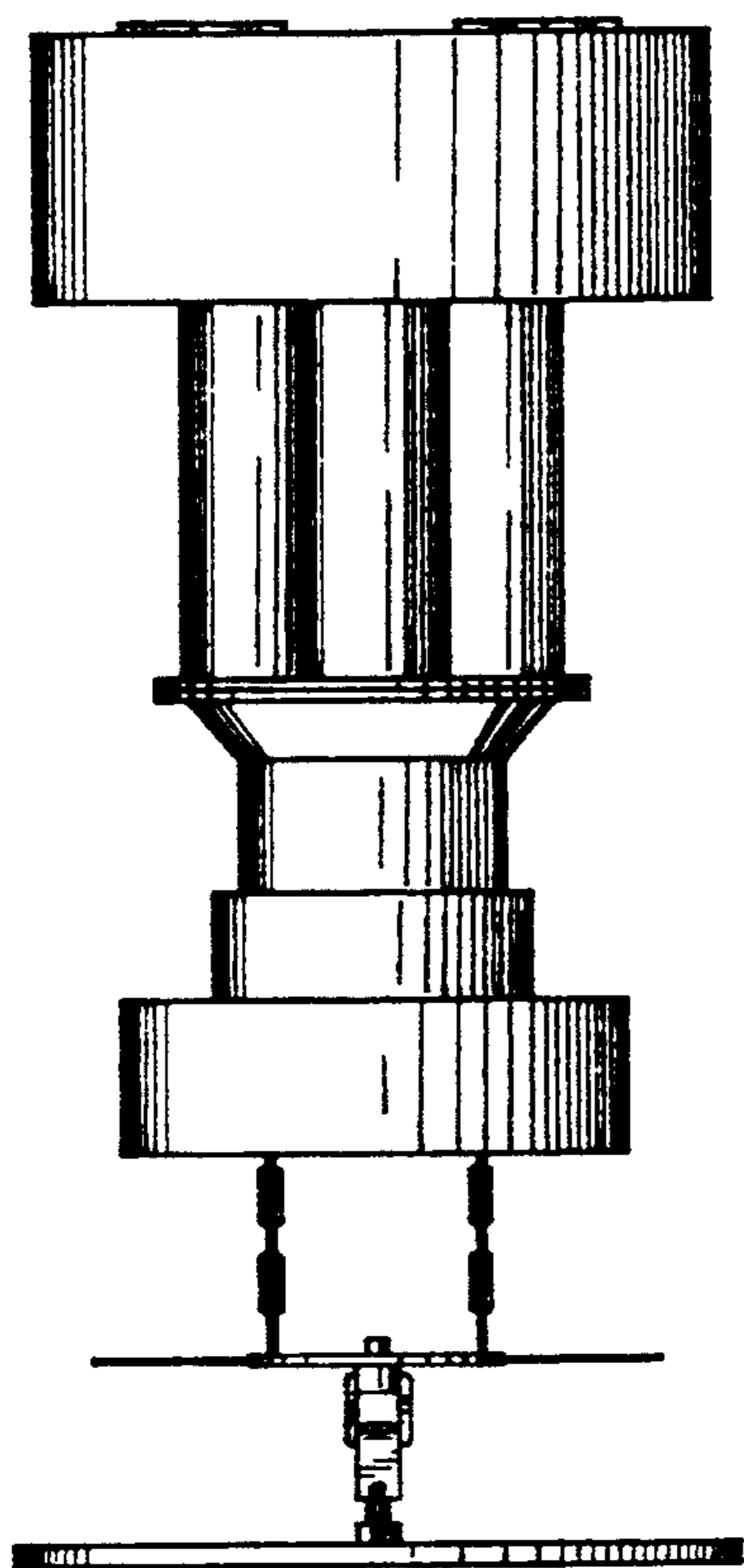


FIG. 7

