



US00D356569S

United States Patent [19]

[11] Patent Number: **Des. 356,569**

Gioscia

[45] Date of Patent: **** Mar. 21, 1995**

[54] COMPUTER LOUDSPEAKER ENCLOSURE

[75] Inventor: **Richard Gioscia, Mahwah, N.J.**

[73] Assignee: **Sony Corporation, Tokyo, Japan**

[**] Term: **14 Years**

[21] Appl. No.: **14,572**

[22] Filed: **Oct. 25, 1993**

[52] U.S. Cl. **D14/210**

[58] Field of Search **D14/172, 204, 210, 211, D14/214, 215, 216, 221; 181/148-153, 198, 199; 381/24, 88, 90, 159**

[56] References Cited

U.S. PATENT DOCUMENTS

D. 180,912	9/1957	Mossington	D14/214
D. 183,357	8/1958	Lindenberg et al.	D14/211
D. 220,629	5/1971	Shimizu	D14/214
D. 348,672	7/1994	Falkner et al.	D14/215

OTHER PUBLICATIONS

Sony Style catalog dated Spring/Summer 1993, #IF-S-20K on p. No. 286 (top left hand corner).

Primary Examiner—Terry A. Wallace
Assistant Examiner—Nanda Bondade
Attorney, Agent, or Firm—Jay H. Maioli

[57] CLAIM

The ornamental design for a computer loudspeaker enclosure, as shown and described.

DESCRIPTION

FIG. 1 is a top, front and right-side perspective view of a computer loudspeaker enclosure, showing my new design;

FIG. 2 is a front elevational view thereof;

FIG. 3 is a rear elevational view thereof;

FIG. 4 is a left-side elevational view thereof;

FIG. 5 is a right-side elevational view thereof;

FIG. 6 is a top plan view thereof; and,

FIG. 7 is a bottom plan view thereof.

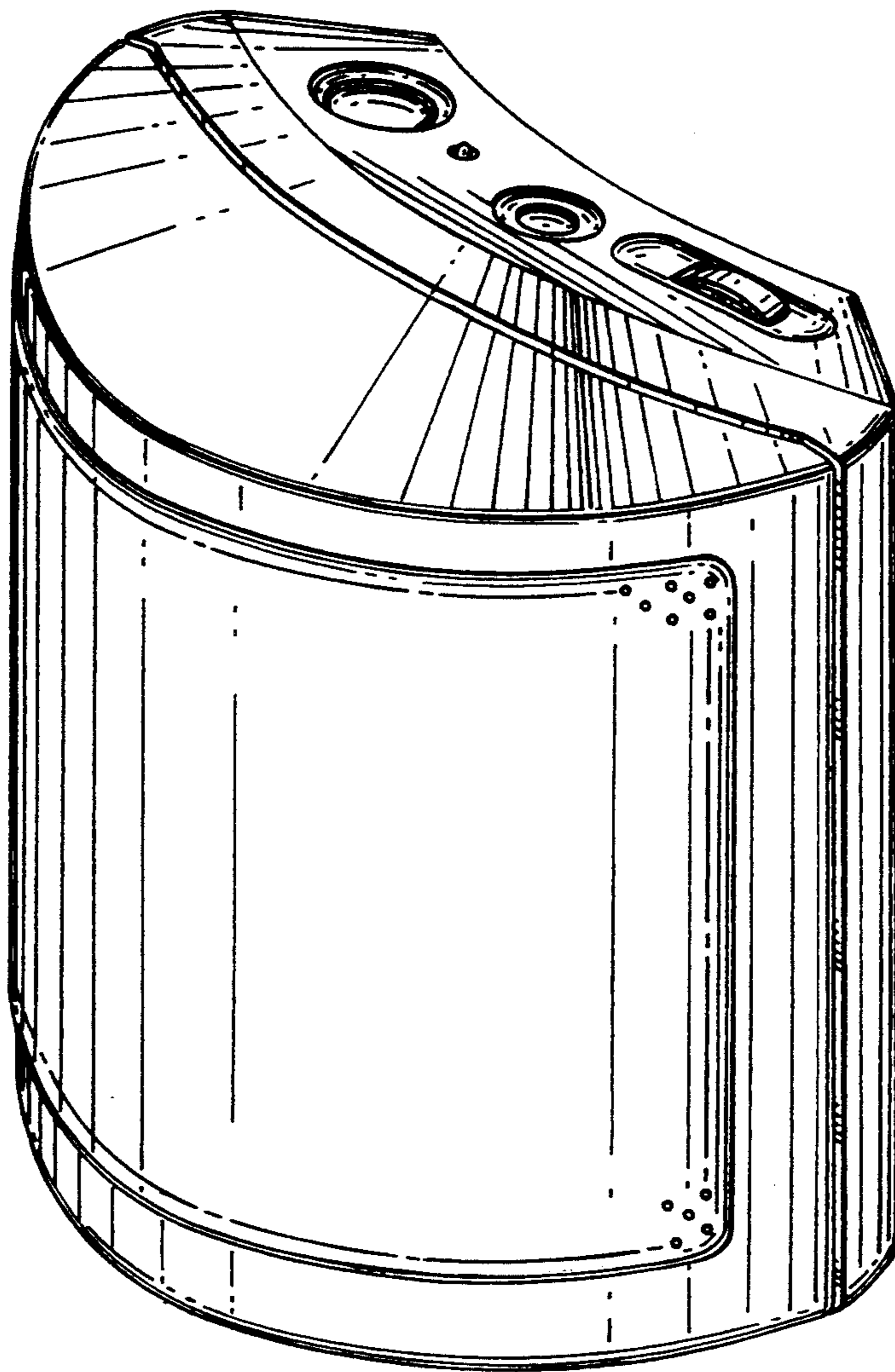


FIG. 1

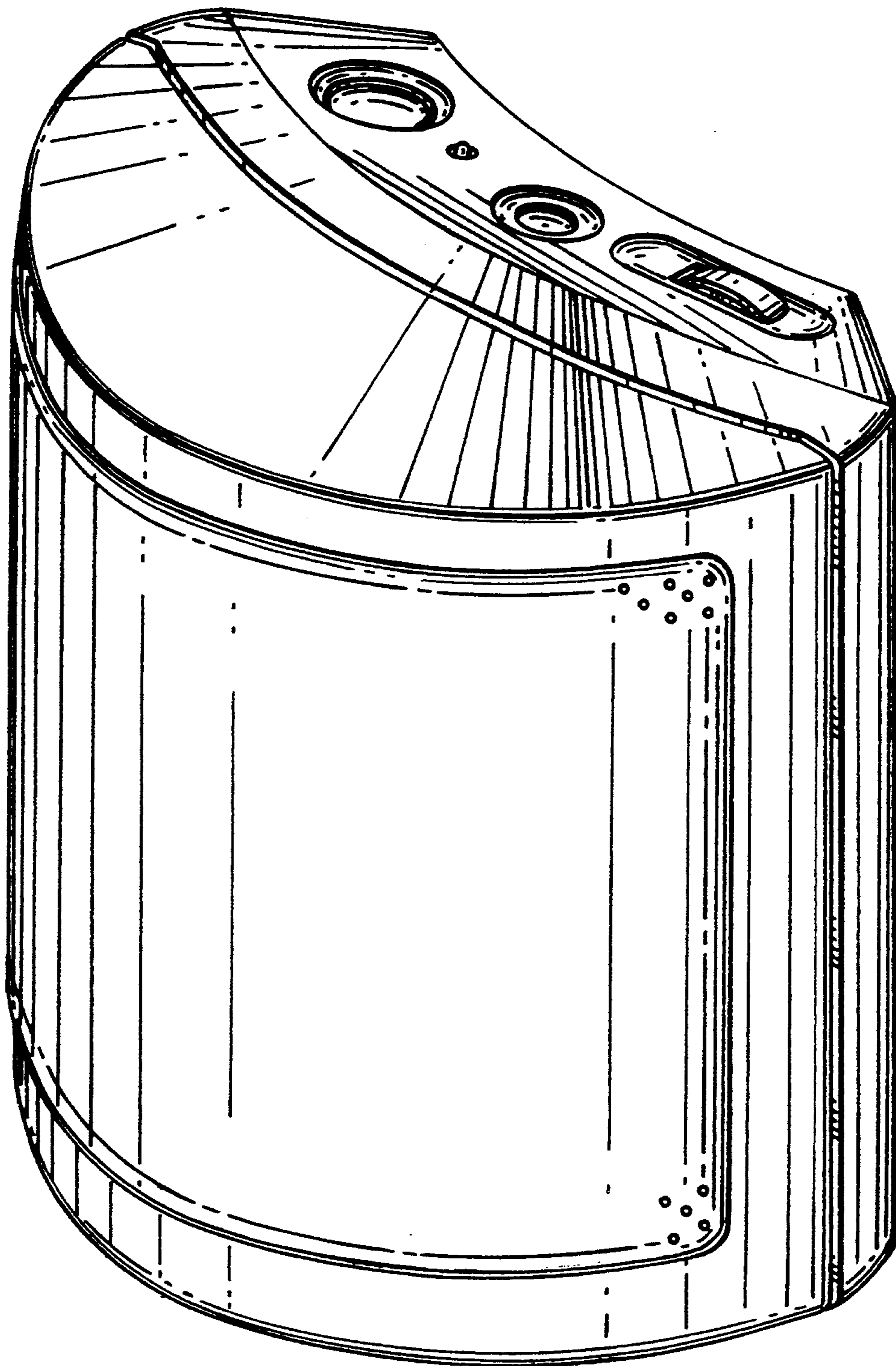


FIG. 5



FIG. 2

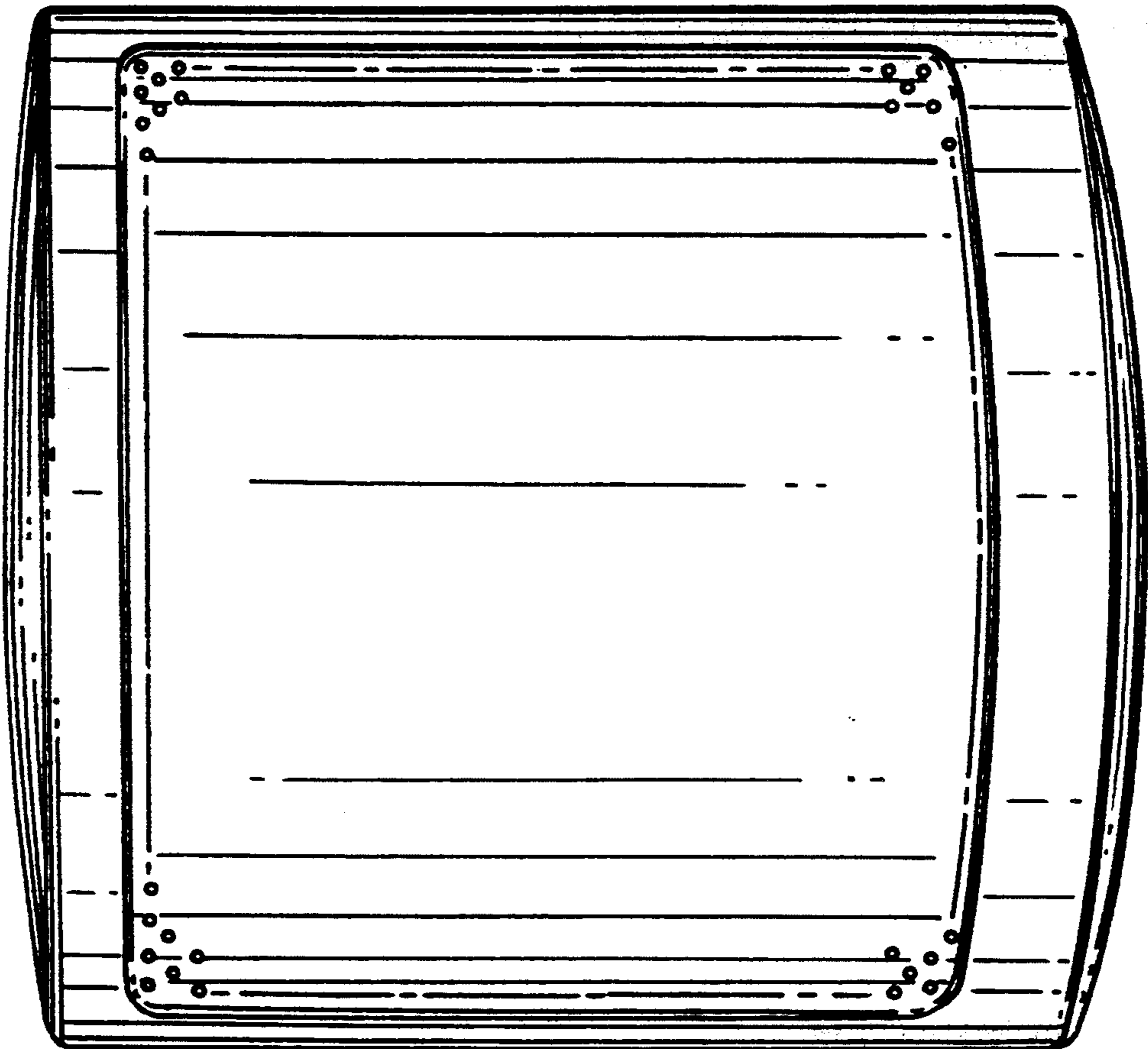


FIG. 3

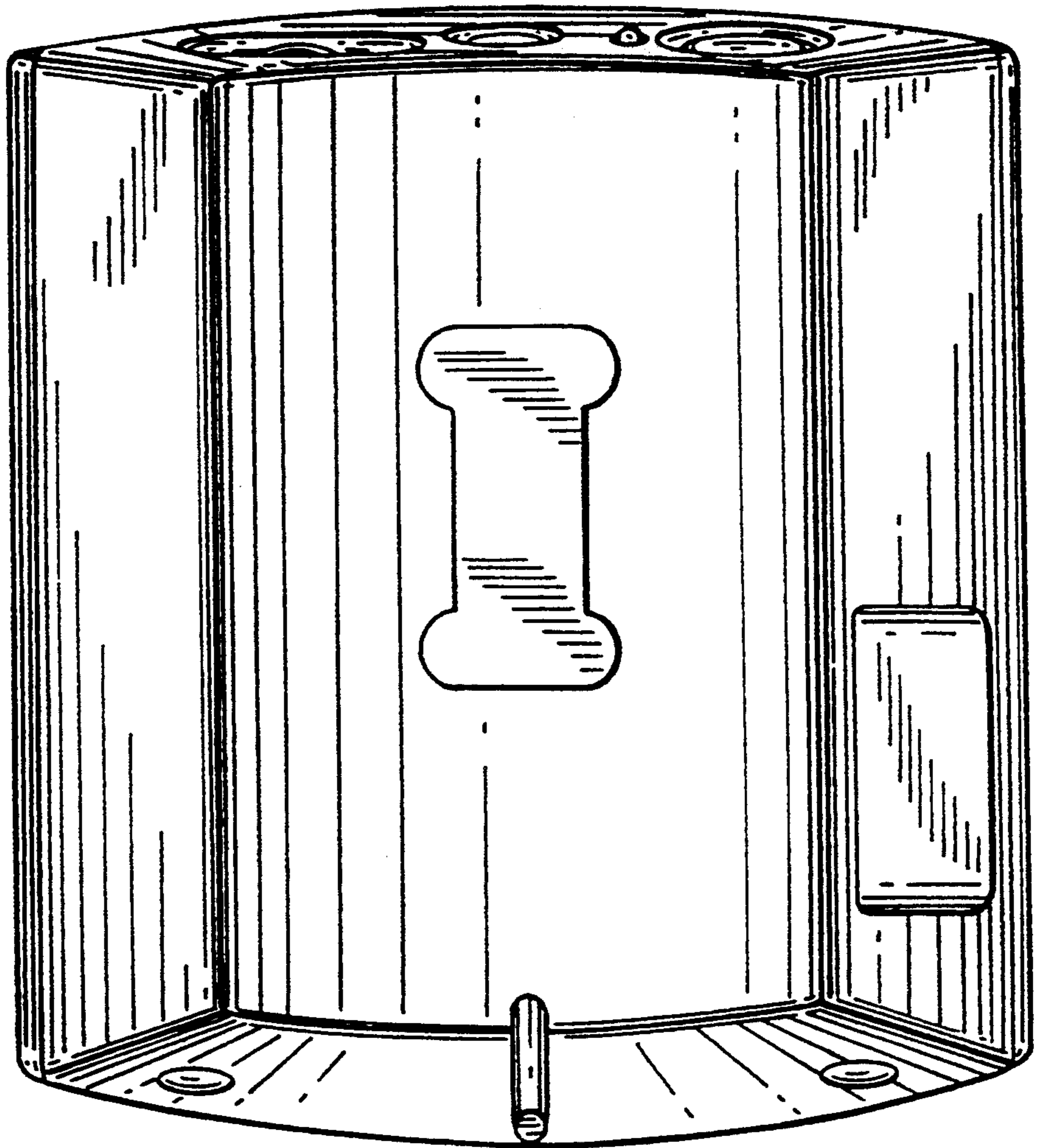
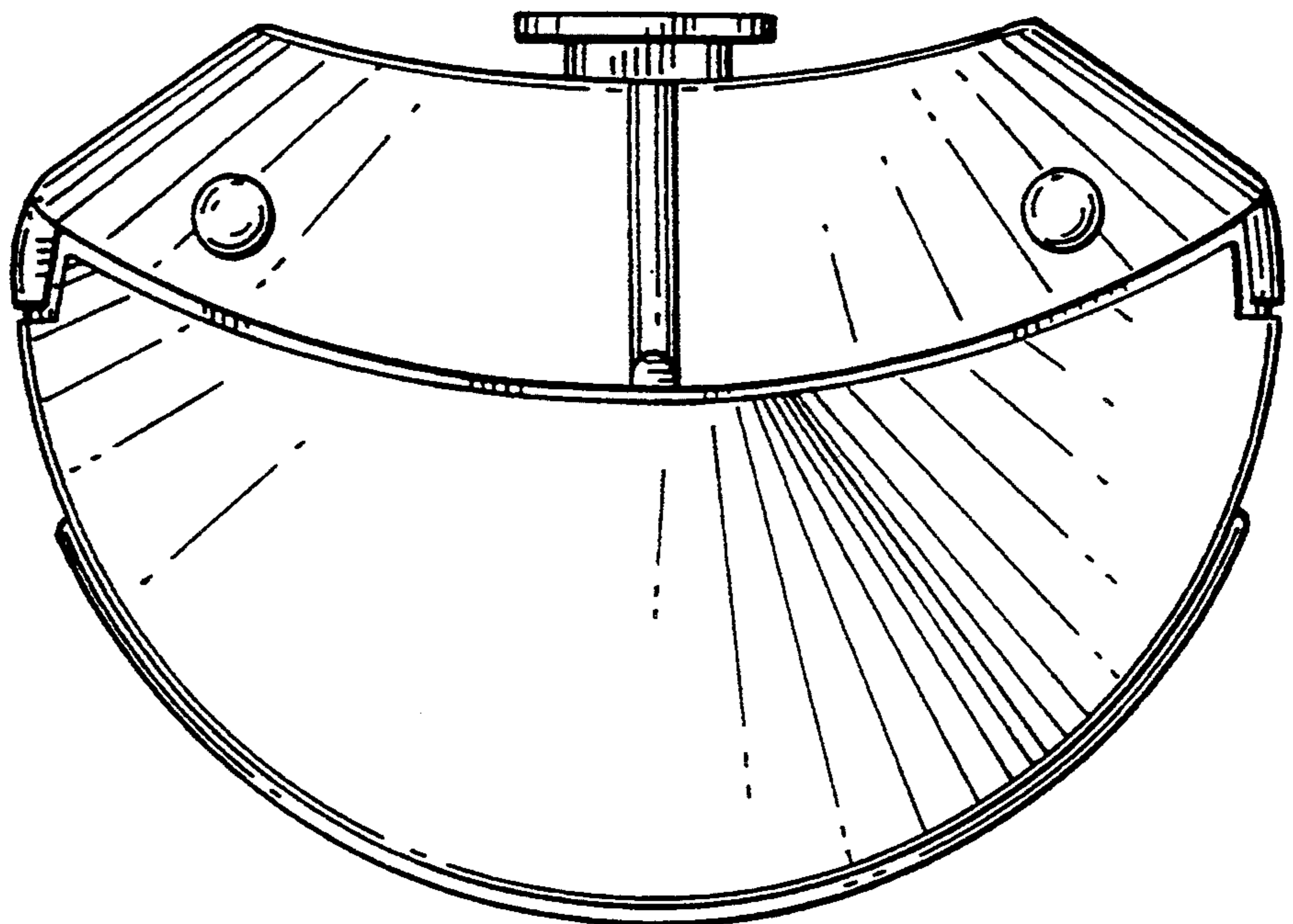


FIG. 7



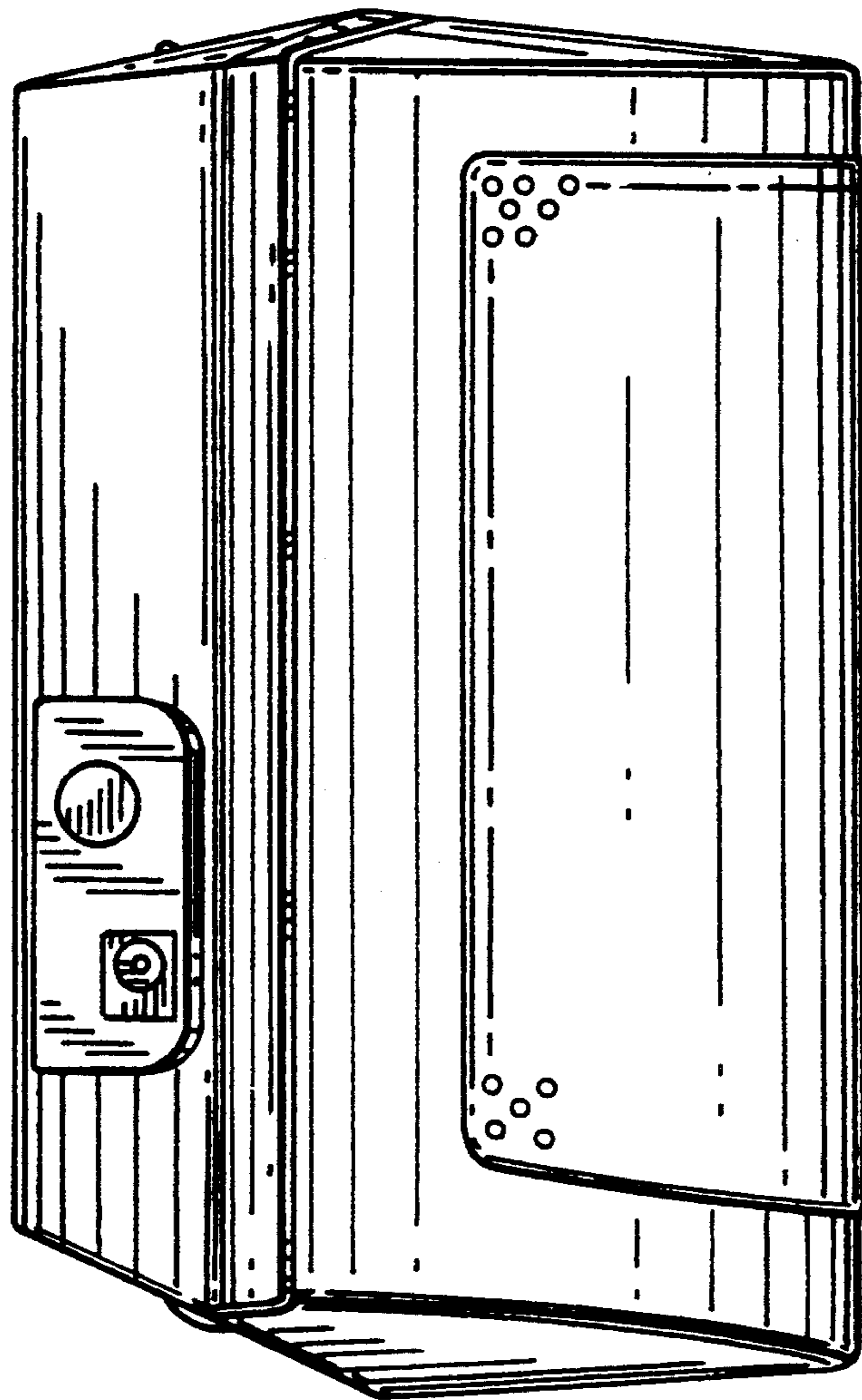


FIG. 4

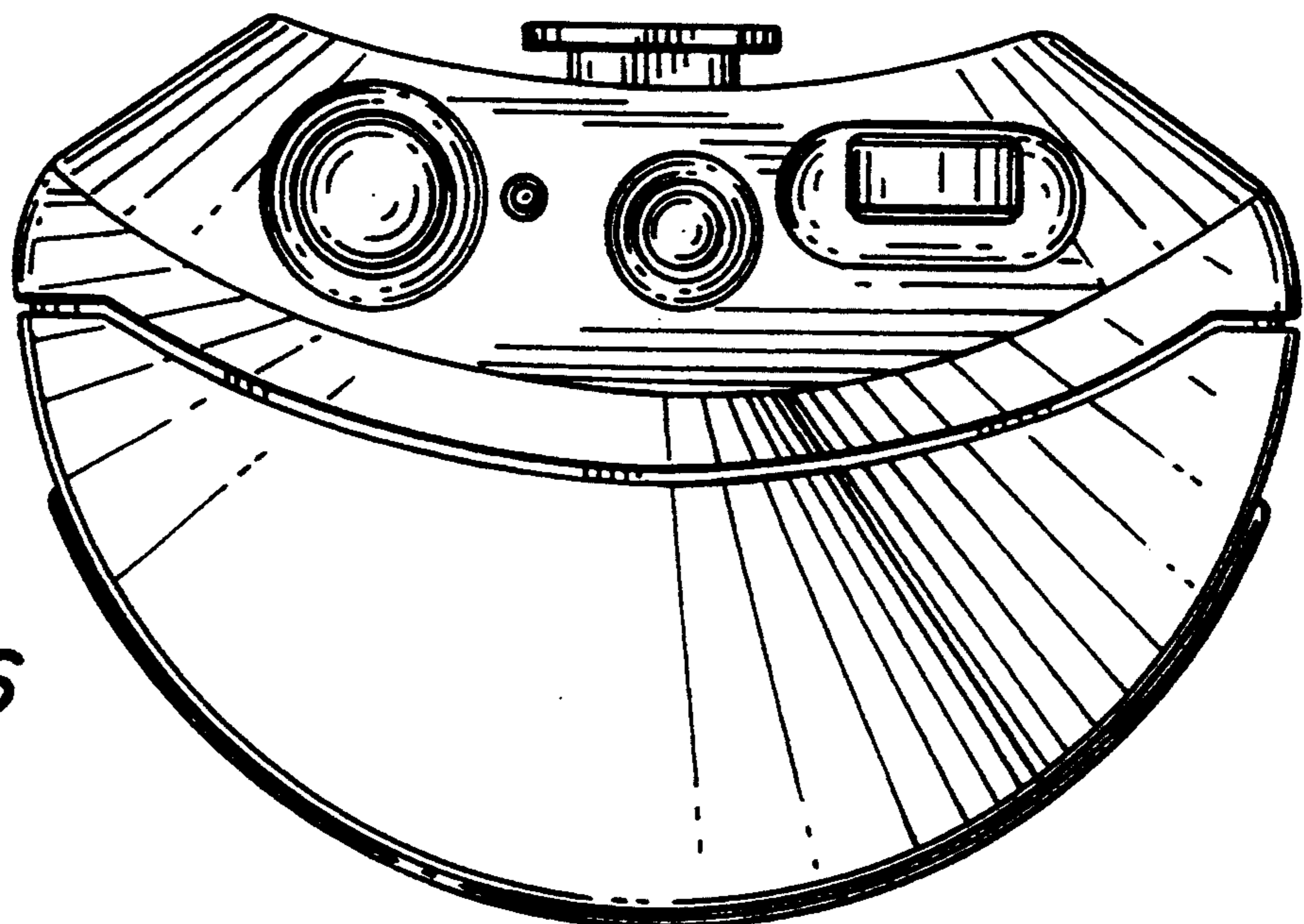


FIG. 6