



US00D356568S

United States Patent [19]

[11] Patent Number: **Des. 356,568**

Ichikawa

[45] Date of Patent: **** Mar. 21, 1995**

[54] **SPEAKER BOX**

[75] Inventor: **Kazuo Ichikawa, Kanagawa, Japan**

[73] Assignee: **Sony Corporation, Tokyo, Japan**

[**] Term: **14 Years**

[21] Appl. No.: **17,067**

[22] Filed: **Jan. 5, 1994**

[30] **Foreign Application Priority Data**

Jul. 16, 1993 [JP] Japan 5-21660

[52] U.S. Cl. **D14/209**

[58] Field of Search D14/172, 204, 207, 209-216,
D14/219-222, 299; D26/63, 64; 181/144-145,
147-148, 198-199; 362/404, 406, 431, 432, 454

[56] **References Cited**

U.S. PATENT DOCUMENTS

D. 170,925 11/1953 Kaveckas D26/64 X

D. 172,523 6/1954 Stone D26/63 X

D. 345,616 3/1994 Lin D26/63

OTHER PUBLICATIONS

General Lighting Company Catalog, p. 22, Track Lighting, Ser. #1905.

Sweets Catalog, 1993, Section 16510/Ken cover page (Kenroy International) Track Lighting Ser. #1574 (as marked).

Primary Examiner—Terry A. Wallace

Assistant Examiner—Nanda Bondade

Attorney, Agent, or Firm—Jay H. Maioli

[57] **CLAIM**

The ornamental design for a speaker box, as shown and described.

DESCRIPTION

FIG. 1 is a top, front, and right-side perspective view of a speaker box, showing my new design; FIG. 2 is a front elevational view thereof; FIG. 3 is a rear elevational view thereof; FIG. 4 is a left-side elevational view thereof; FIG. 5 is a right-side elevational thereof; FIG. 6 is a top plan view thereof; and, FIG. 7 is a bottom plan view thereof.

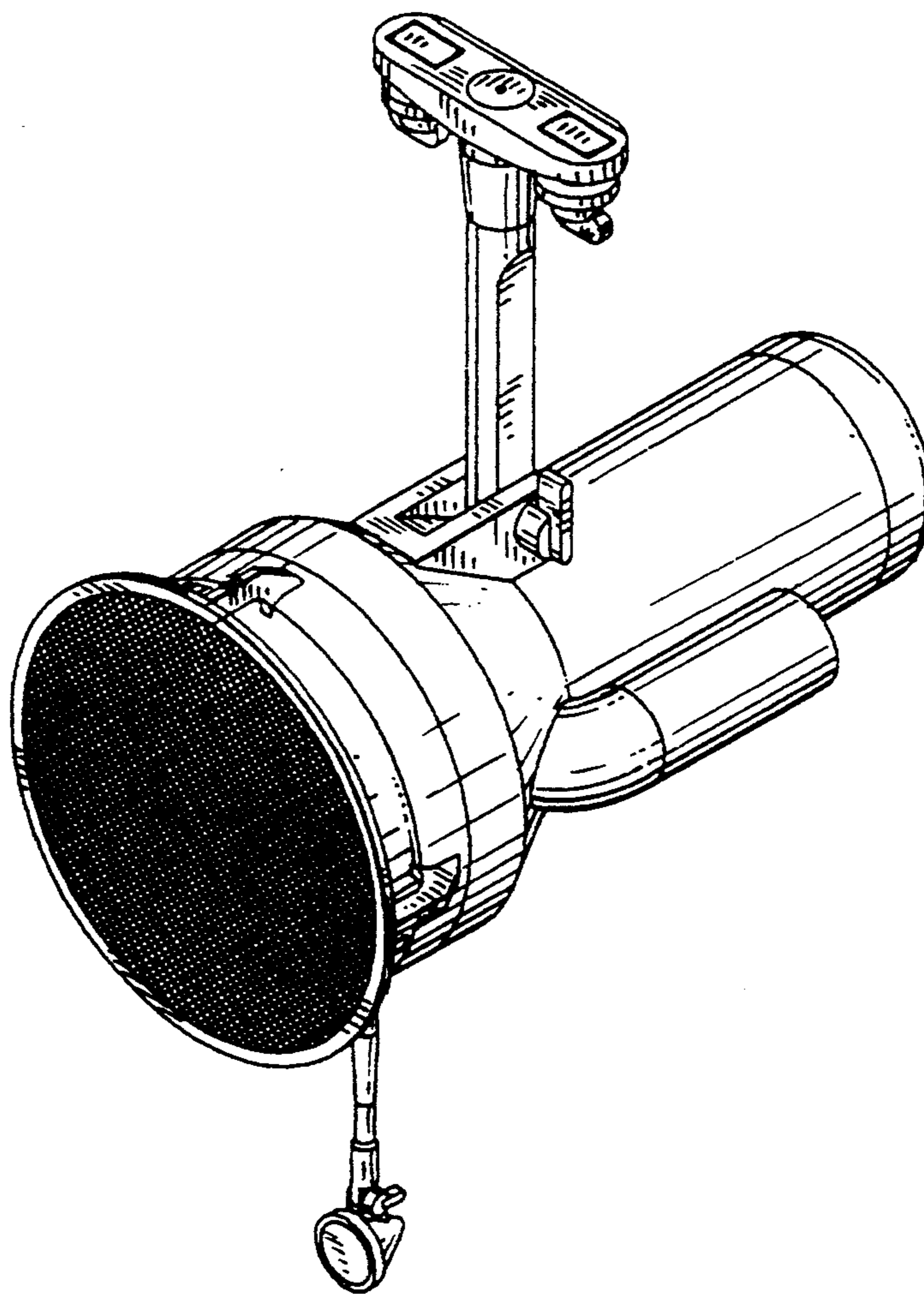


FIG. 1

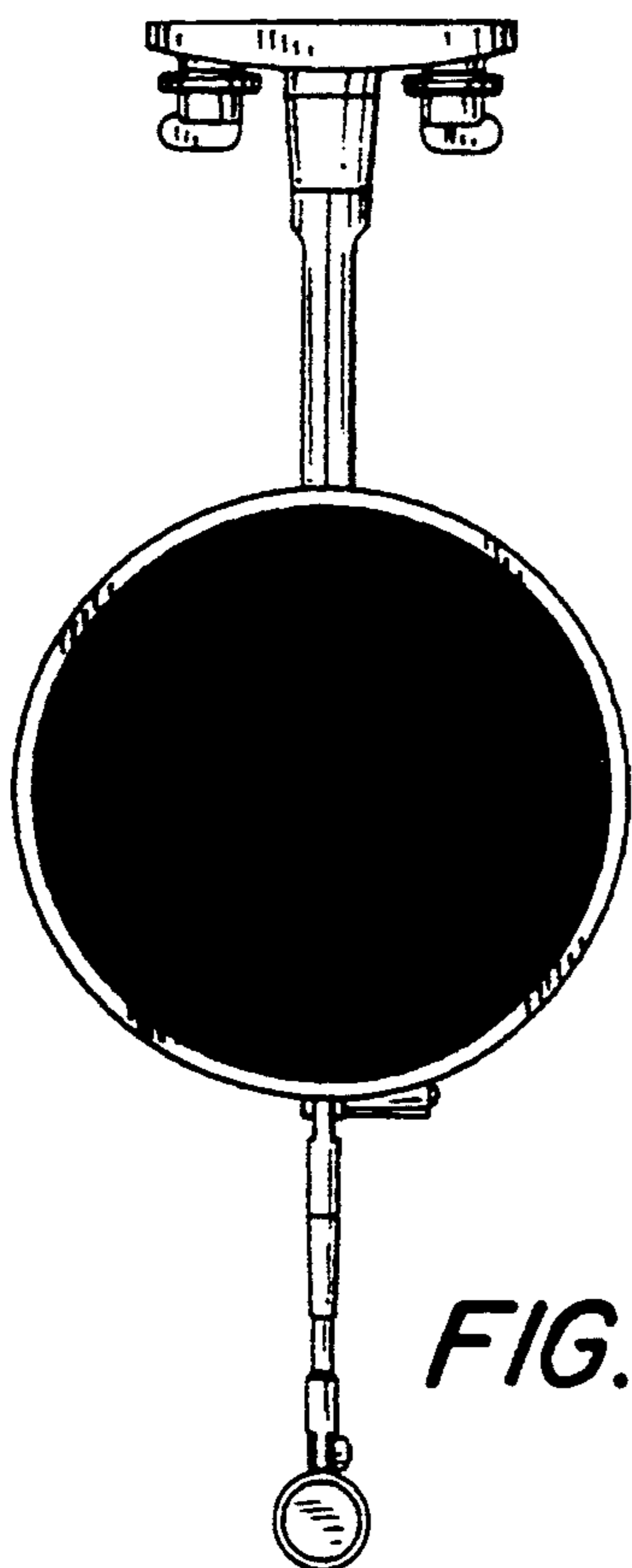
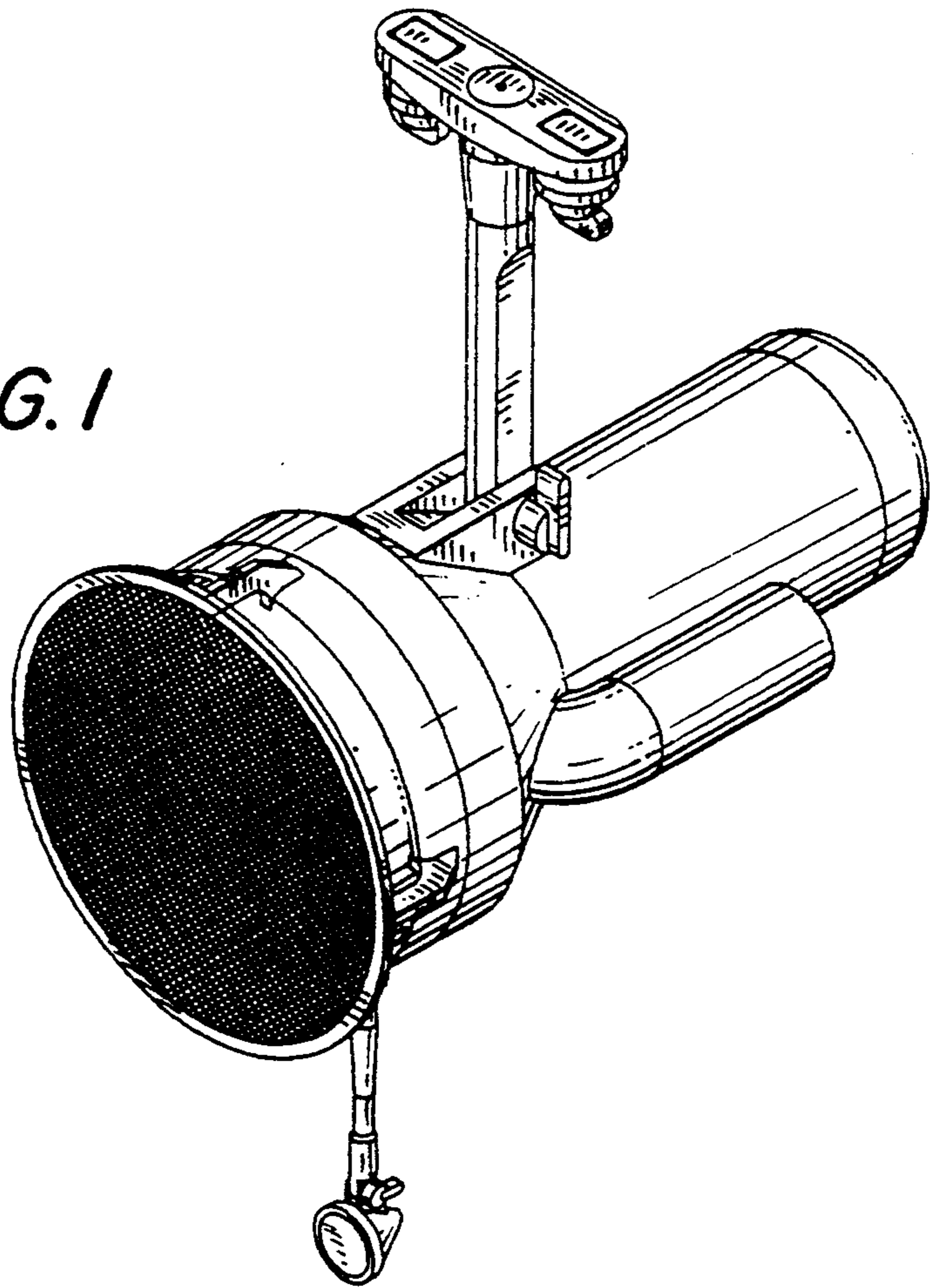


FIG. 2

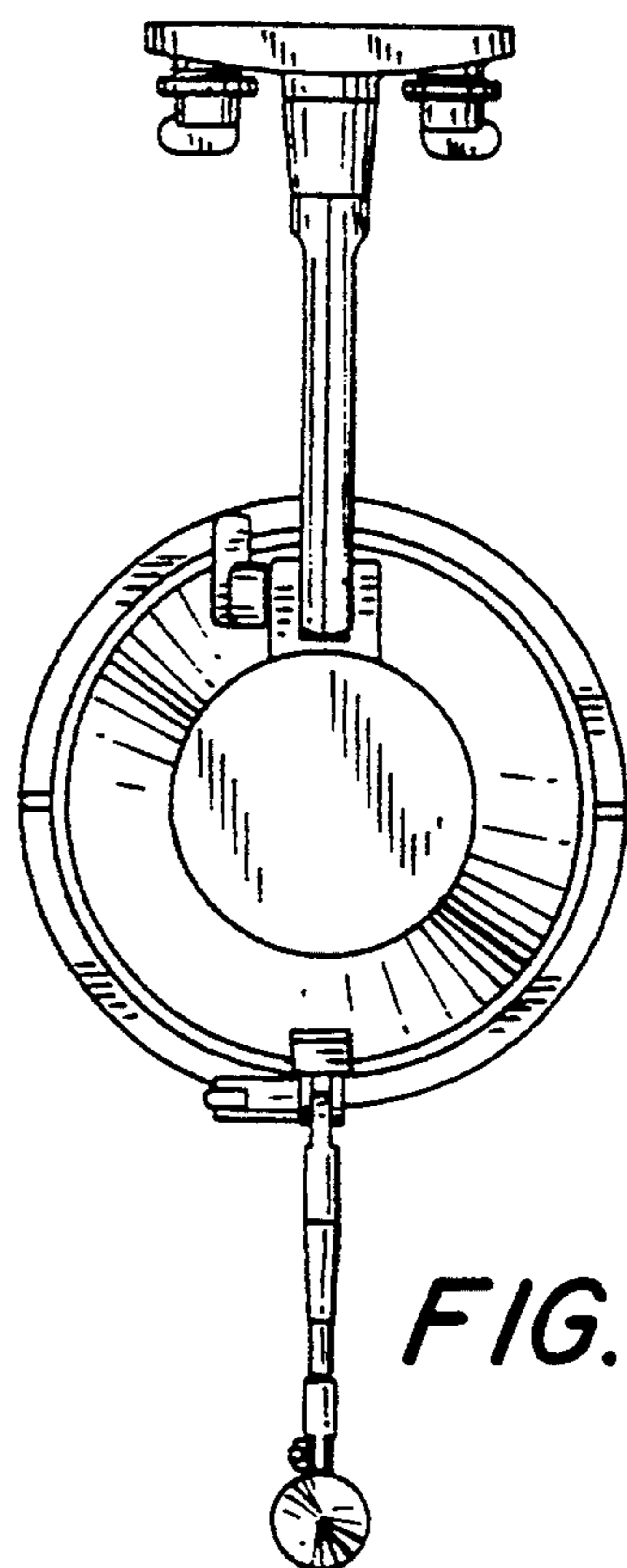


FIG. 3

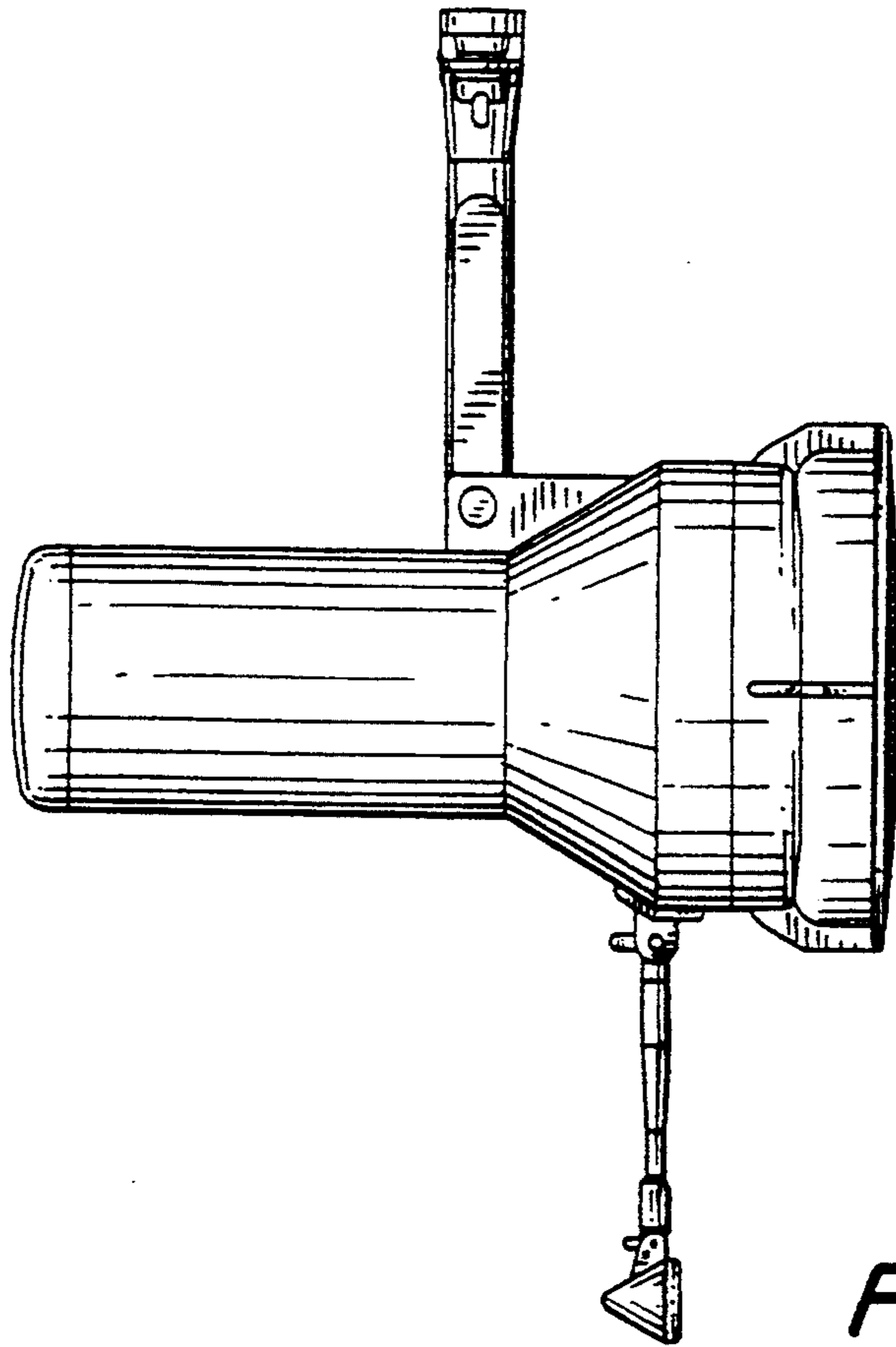


FIG. 4

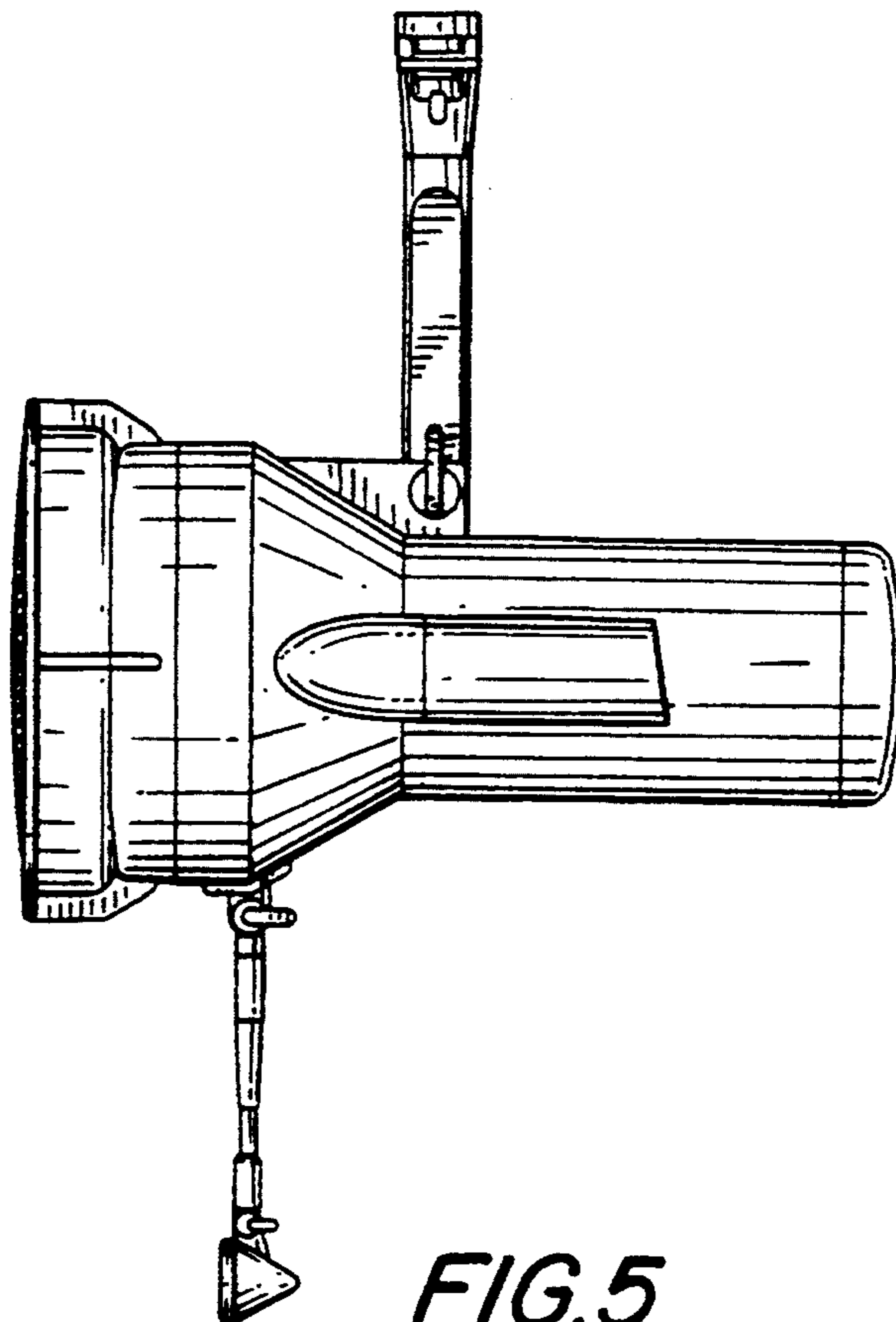


FIG. 5

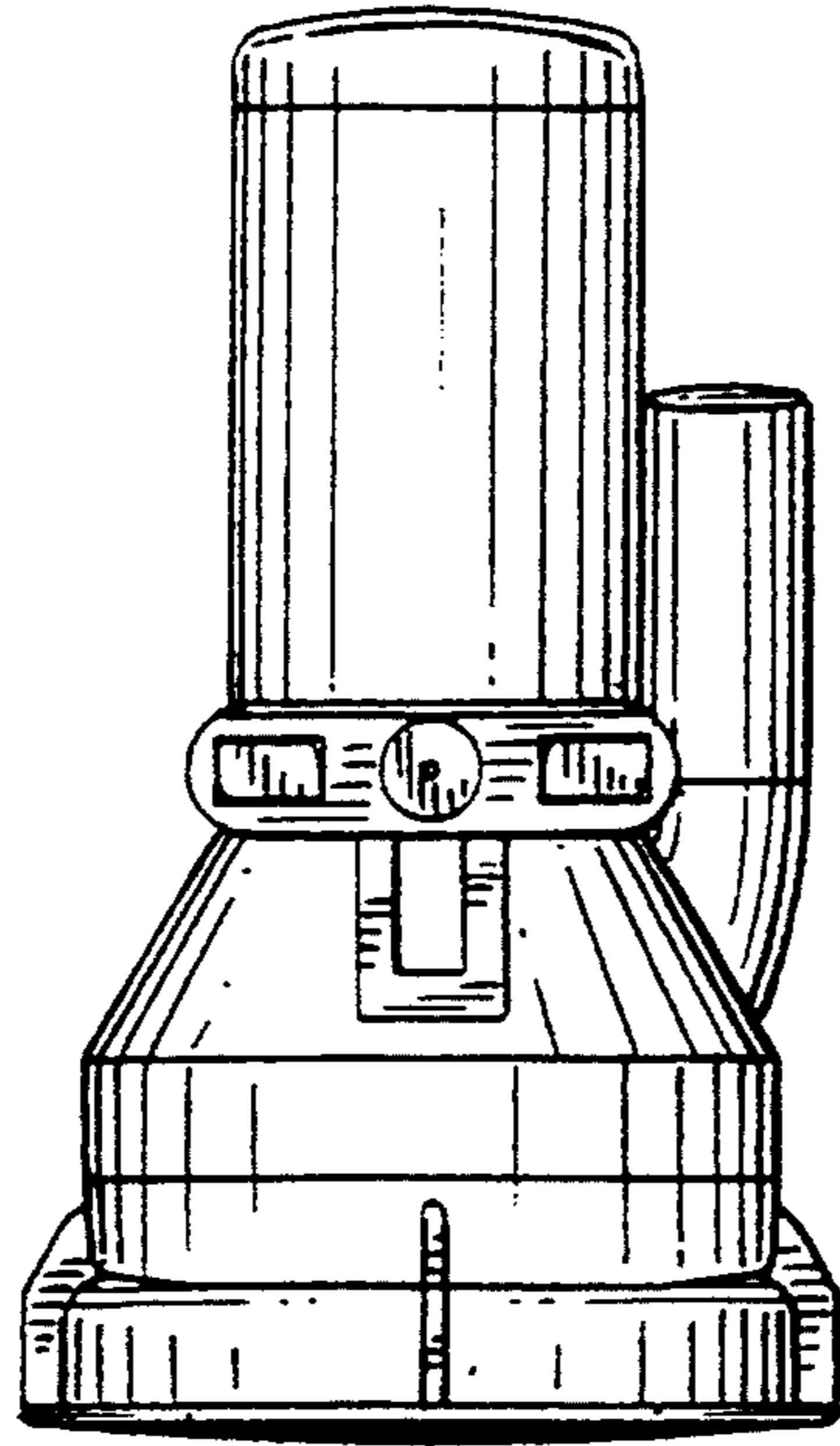


FIG. 6

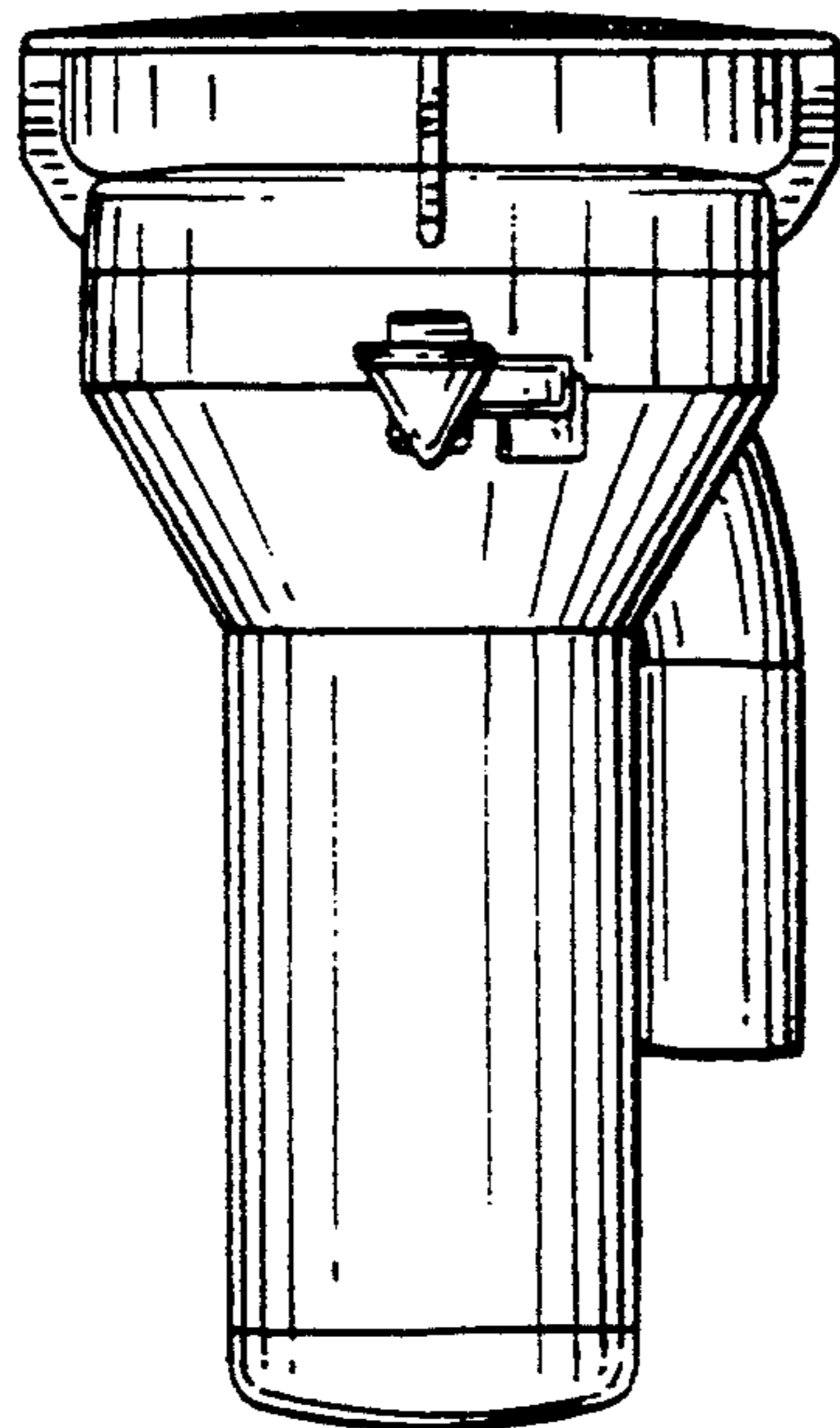


FIG. 7