



US00D356566S

United States Patent [19]

[11] Patent Number: **Des. 356,566**

Ohta

[45] Date of Patent: **** Mar. 21, 1995**

[54] **TAPE PLAYER COMBINED WITH RADIO TUNER FOR AUTOMOBILE**

| | | | | |
|------------|--------|-----------------|-------|-----------|
| D. 316,092 | 4/1991 | Ham | | D14/157 |
| D. 334,572 | 4/1993 | Gauthier et al. | | D14/258 |
| D. 344,518 | 2/1994 | Kakizaki | | D14/157 |
| 5,185,804 | 2/1993 | Watanabe | | 455/345 X |

[75] Inventor: **Kiyoshi Ohta**, Tokyo, Japan

[73] Assignee: **Sony Corporation**, Tokyo, Japan

[**] Term: **14 Years**

[21] Appl. No.: **13,784**

[22] Filed: **Oct. 1, 1993**

[30] **Foreign Application Priority Data**

| | | | | |
|---------------|-----------------|-------|--|---------|
| Apr. 28, 1993 | [JP] | Japan | | 5-12838 |
| [52] | U.S. Cl. | | D14/157; D14/258 | |
| [58] | Field of Search | | D14/124, 137, 157, 217, D14/257, 258, 299; 455/73, 89-90, 128, 345-347 | |

[56] **References Cited**

U.S. PATENT DOCUMENTS

D. 307,909 5/1990 Dobies et al. D14/288

Primary Examiner—Theodore M. Shooman
Attorney, Agent, or Firm—Jay H. Maioli

[57] **CLAIM**

The ornamental design for a tape player combined with radio tuner for automobile, as shown and described.

DESCRIPTION

FIG. 1 is a top, front and right-side perspective view of a tape player combined with radio tuner for automobile showing my new design;

FIG. 2 is a front elevational view thereof;

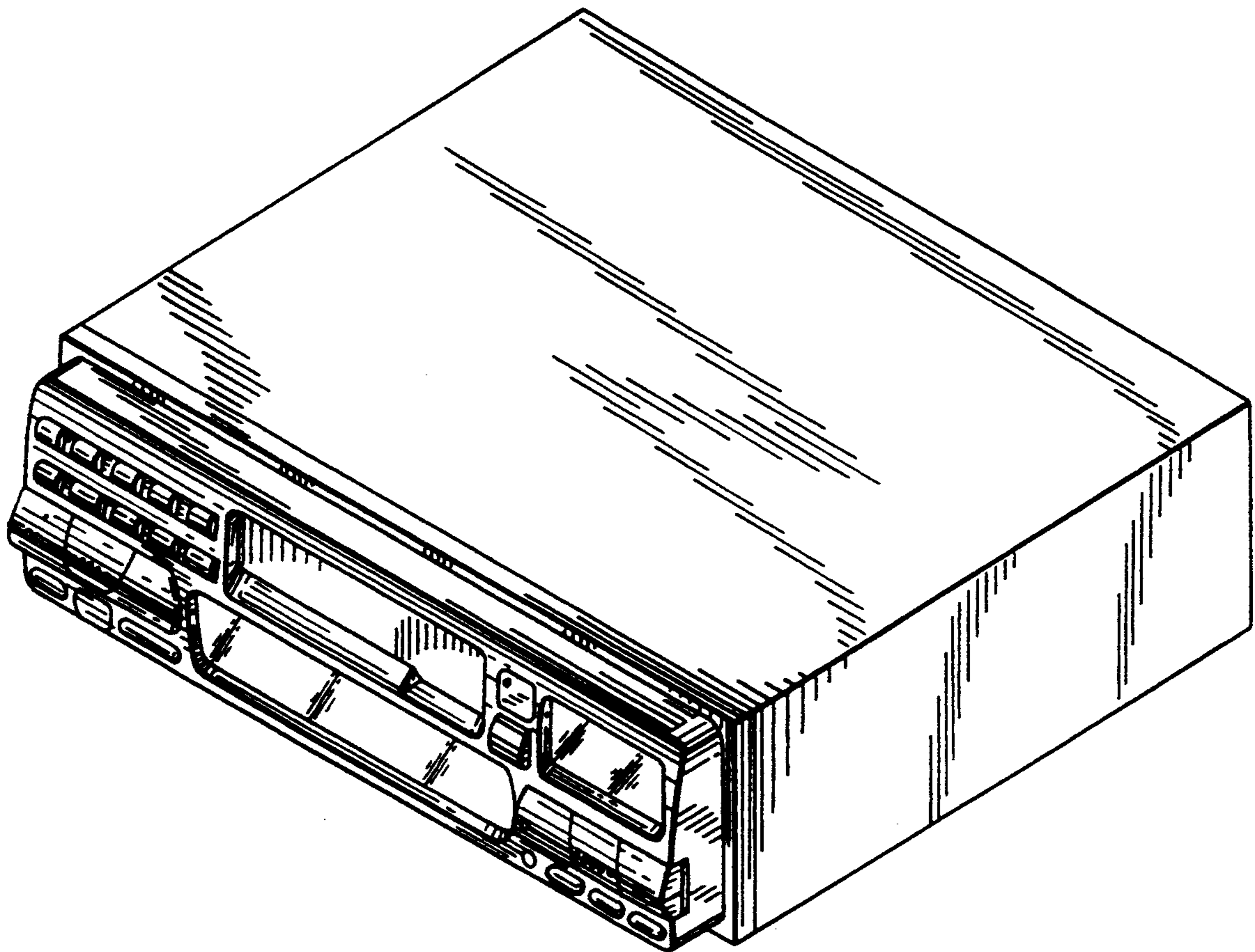
FIG. 3 is a rear elevational view thereof;

FIG. 4 is a left-side elevational view thereof;

FIG. 5 is a right-side elevational view thereof;

FIG. 6 is a top plan view thereof; and,

FIG. 7 is a bottom plan view thereof.



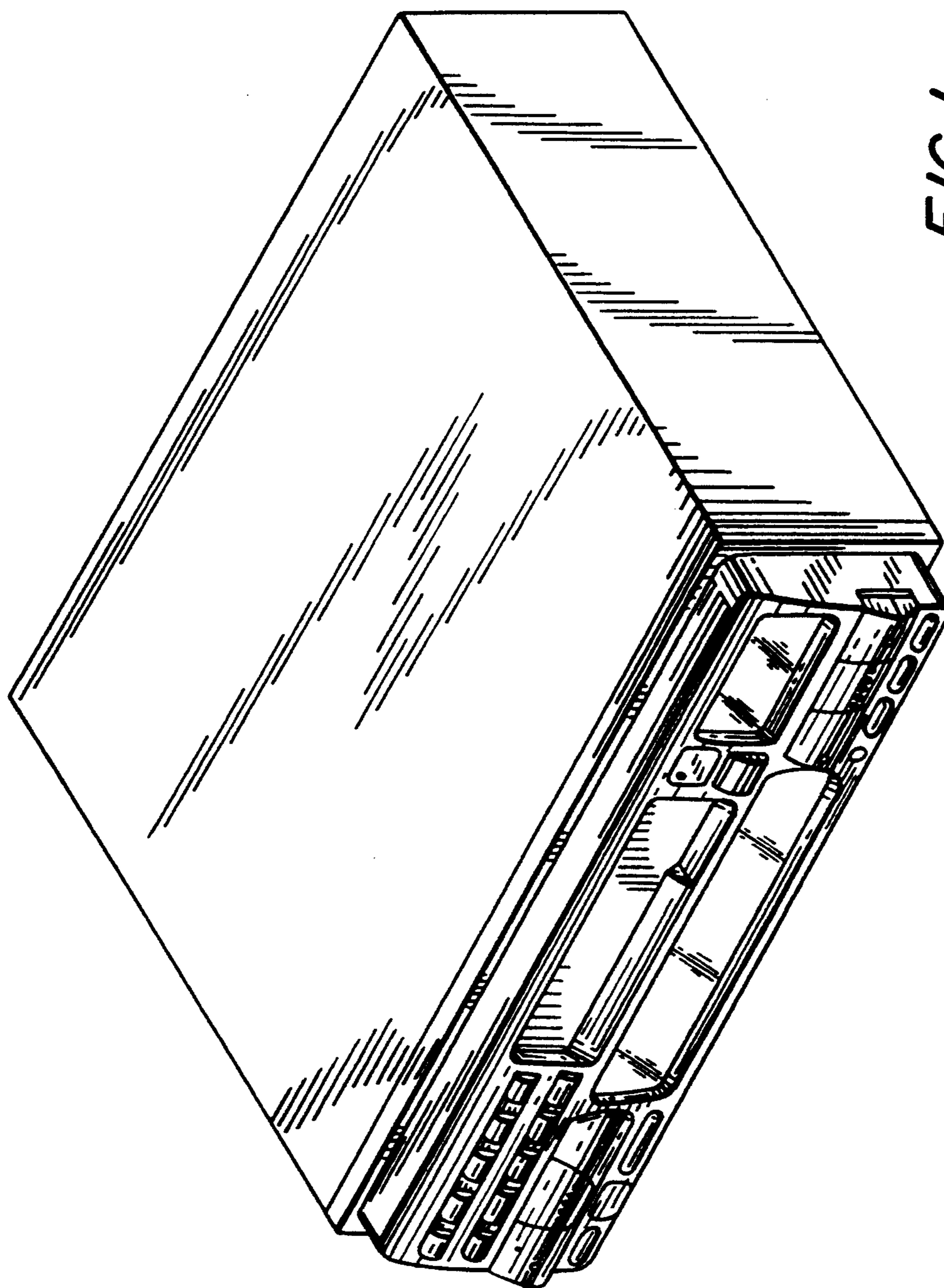


FIG. 1

FIG. 2

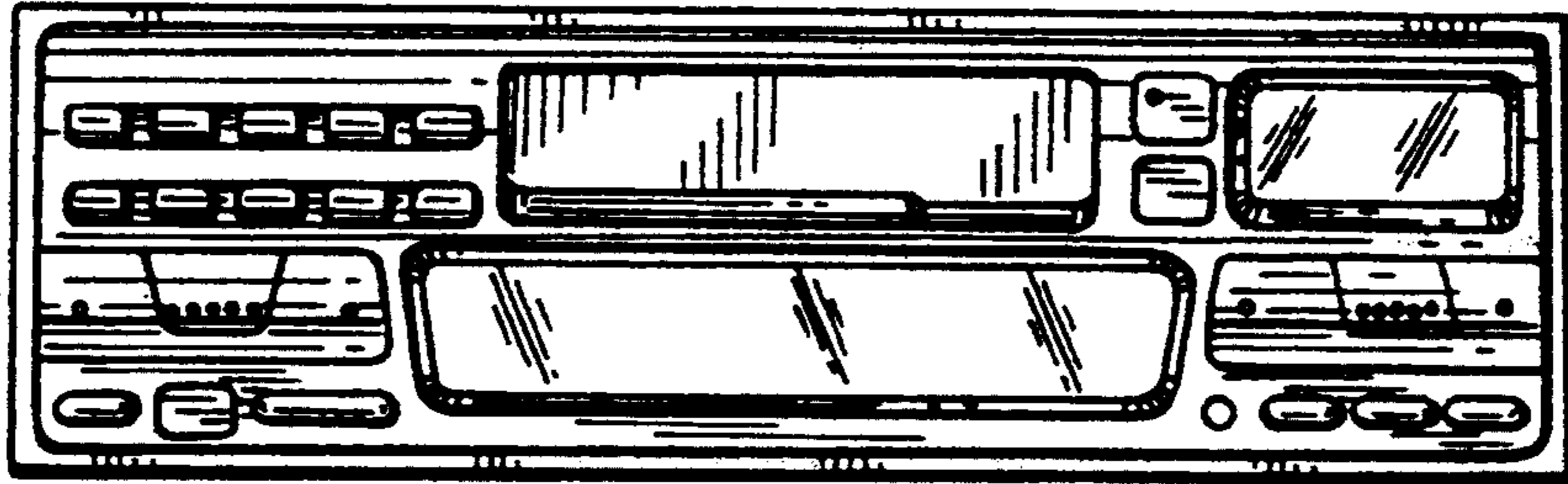


FIG. 3

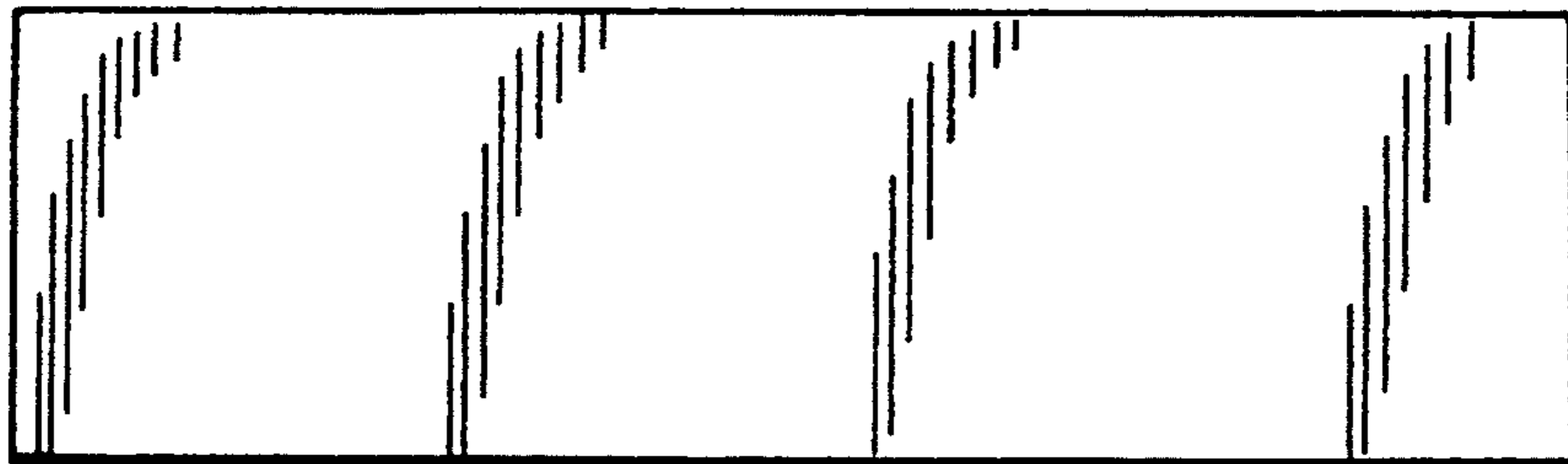


FIG. 4

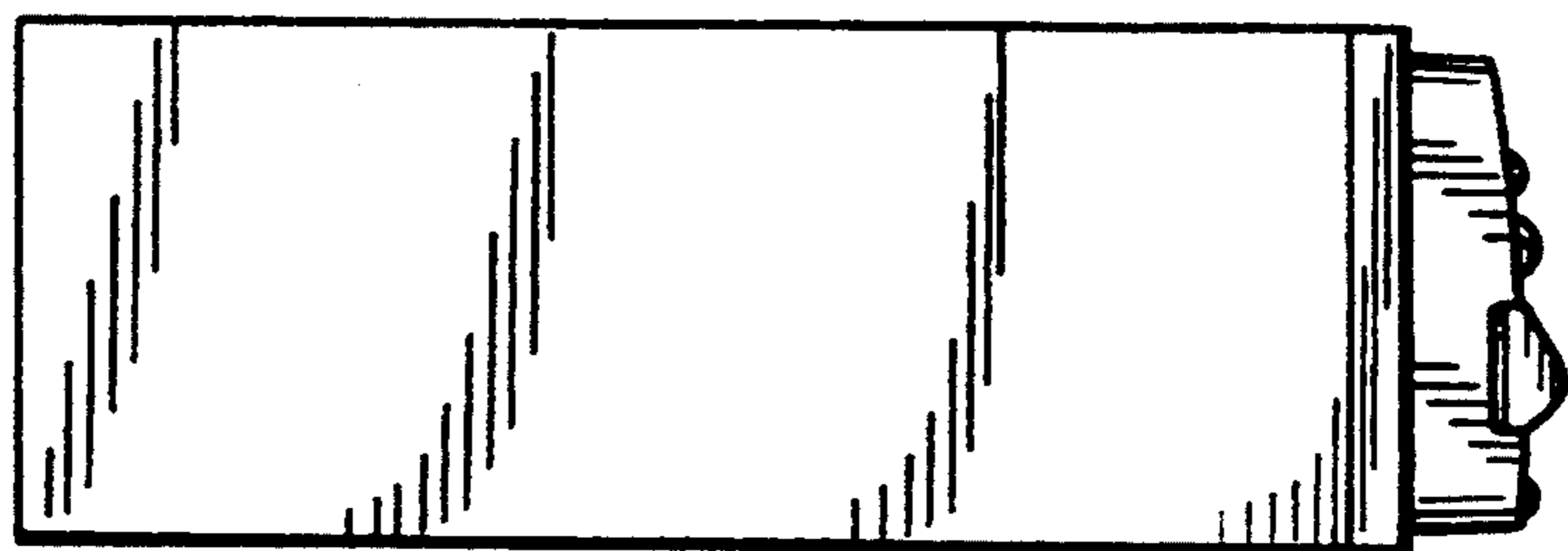


FIG. 5

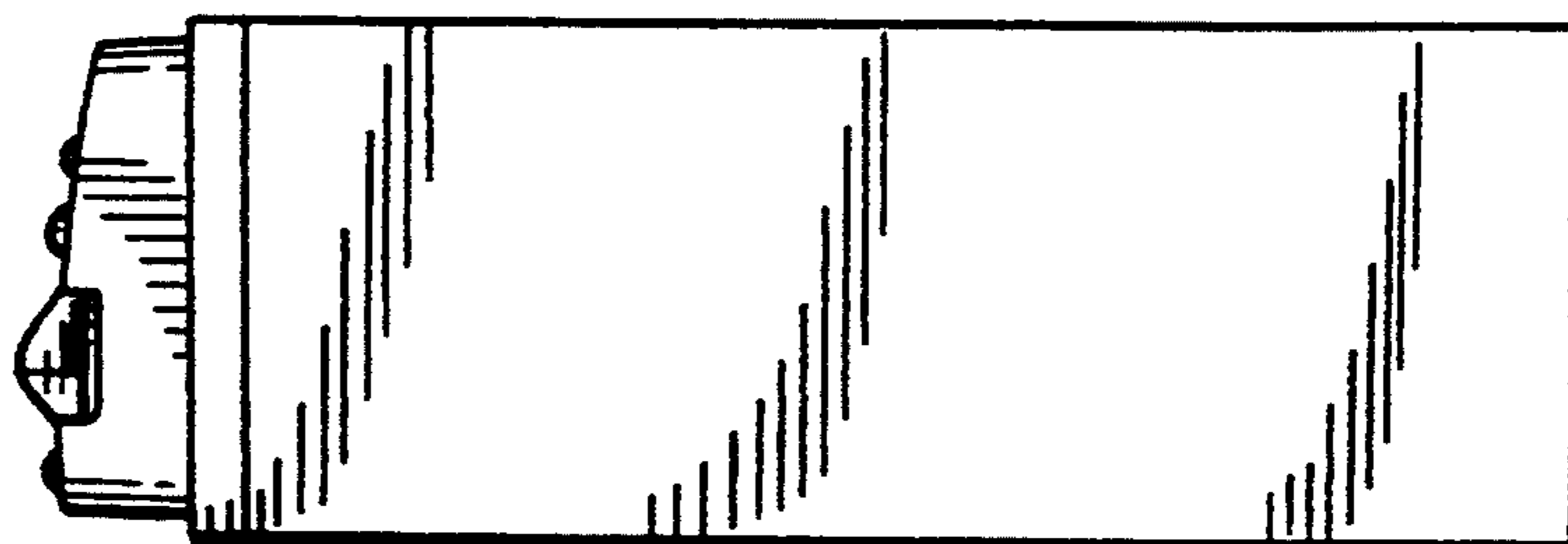


FIG. 6



FIG. 7

