



US00D356559S

United States Patent [19]

Roustaei

[11] Patent Number: **Des. 356,559**

[45] Date of Patent: **** Mar. 21, 1995**

[54] HOUSING FOR OPTICAL SCANNER

5,140,143 8/1992 Nakazawa 235/472
5,140,144 8/1992 Shepard et al. 235/472

[76] Inventor: **Alexander Roustaei**, 1696 Via Inspirar, San Marcos, Calif. 92069

Primary Examiner—James M. Gandy
Assistant Examiner—M. H. Tung
Attorney, Agent, or Firm—Brown, Martin, Haller & McLain

[**] Term: **14 Years**

[21] Appl. No.: **14,300**

[57] **CLAIM**

[22] Filed: **Oct. 20, 1993**

The ornamental design for a housing for optical scanner, as shown and described.

[52] U.S. Cl. **D14/116**

[58] Field of Search D14/100, 114, 116;
235/375, 378, 385, 454, 462, 472; 354/80-82;
250/203.1, 216, 566, 568; D26/37, 45, 50

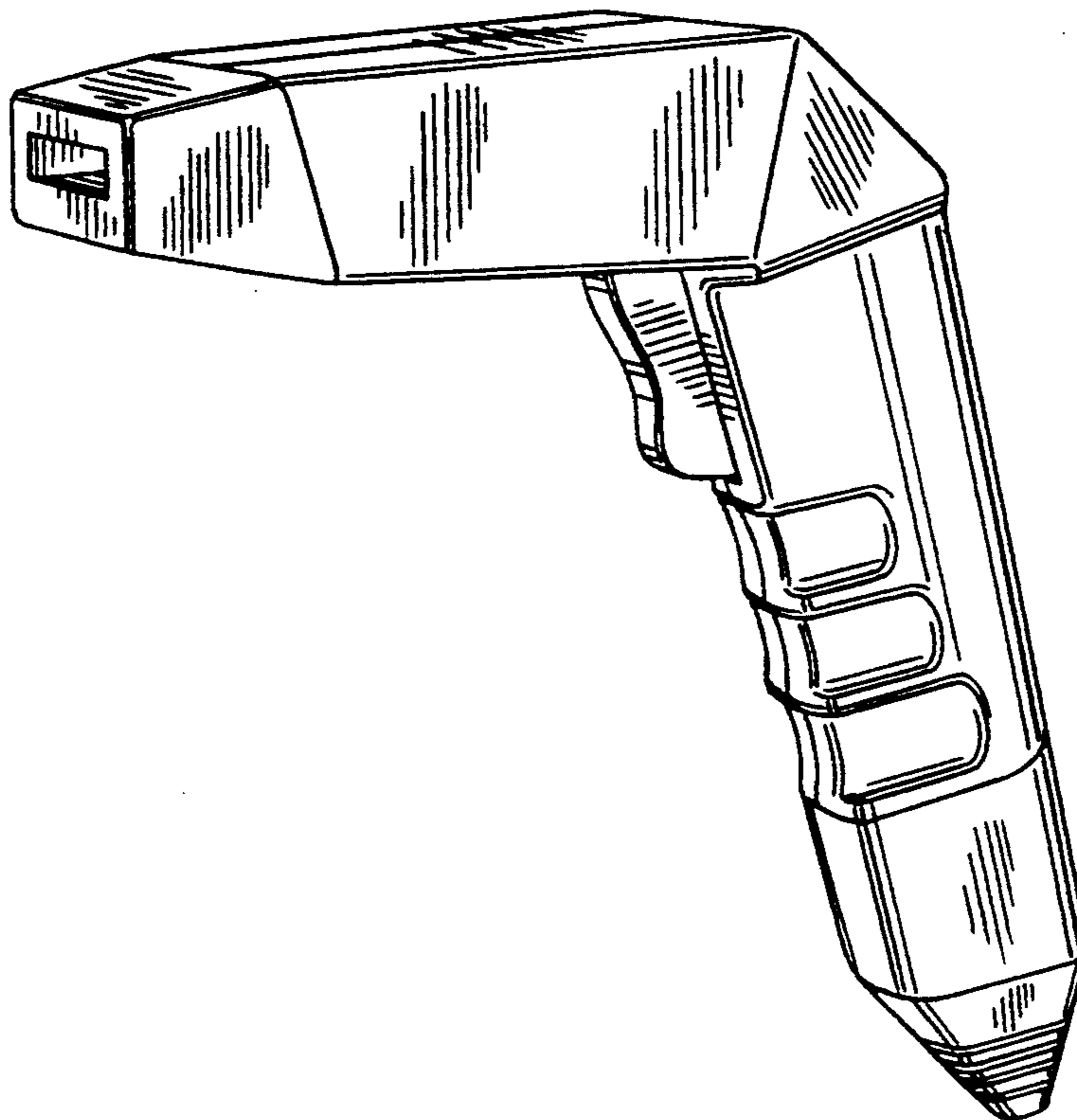
DESCRIPTION

[56] **References Cited**

U.S. PATENT DOCUMENTS

- D. 305,885 2/1990 Barkam et al. D14/116
- D. 330,708 11/1992 LaManna et al. D14/116
- D. 344,501 2/1994 Gong et al. D14/116
- D. 349,109 7/1994 Karlin D14/116

FIG. 1 is a perspective view of a housing for optical scanner showing my new design;
FIG. 2 is a front elevational view thereof;
FIG. 3 is a rear elevational view thereof;
FIG. 4 is a top plan view thereof;
FIG. 5 is a side elevational view thereof, the opposite side is a mirror image; and,
FIG. 6 is a bottom plan view thereof.



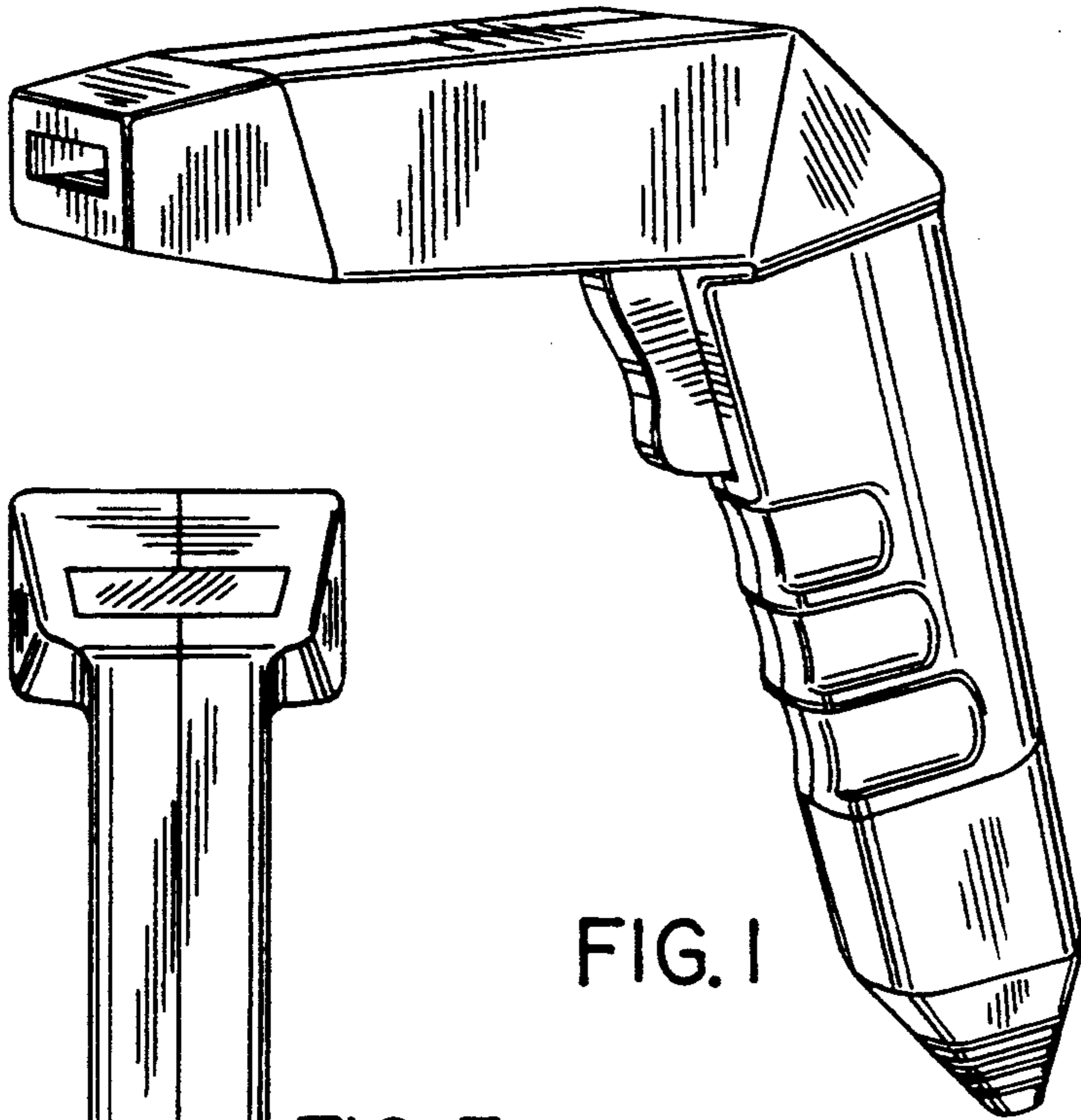


FIG. 1

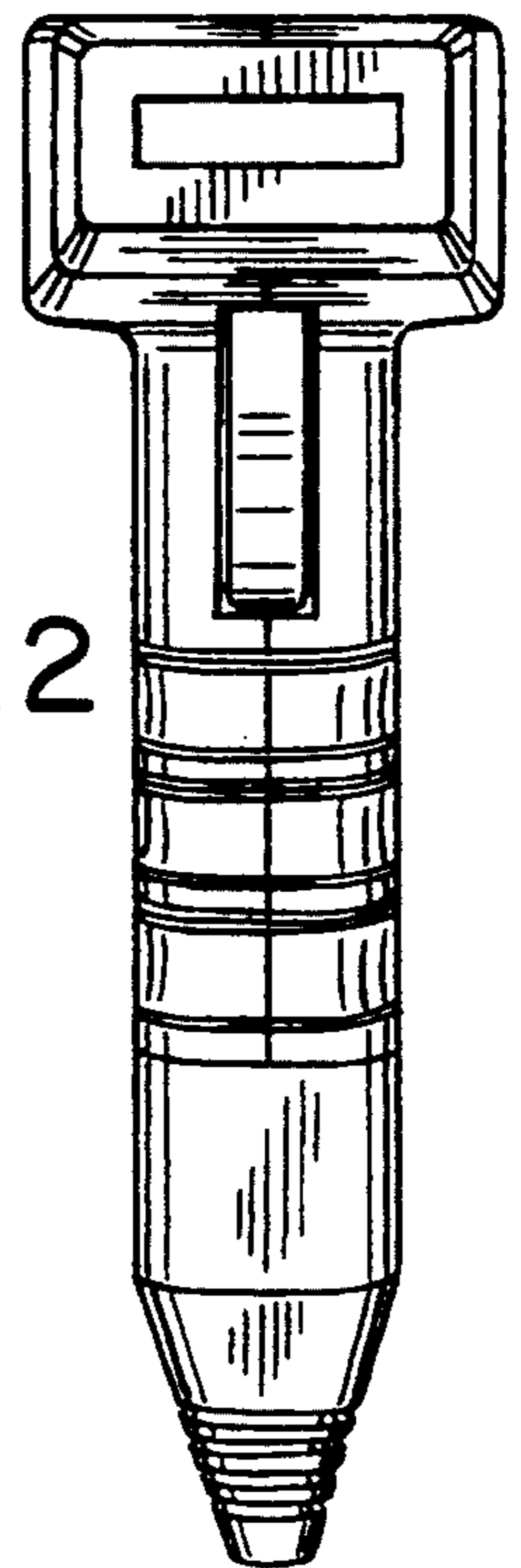


FIG. 2

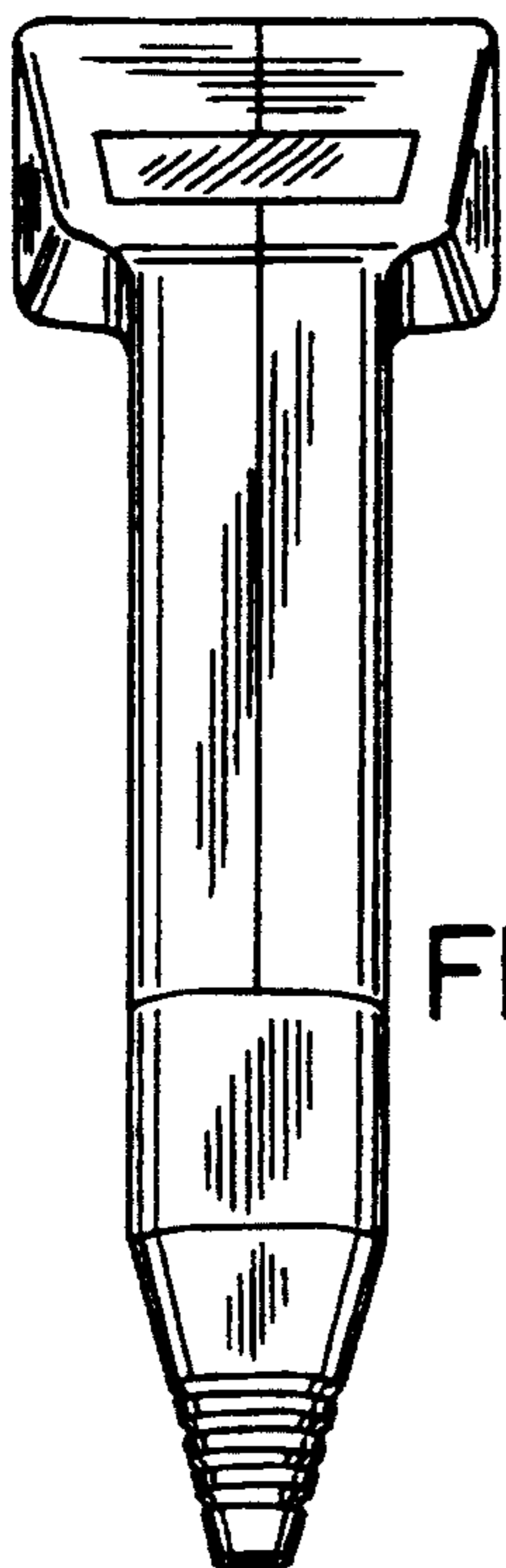


FIG. 3

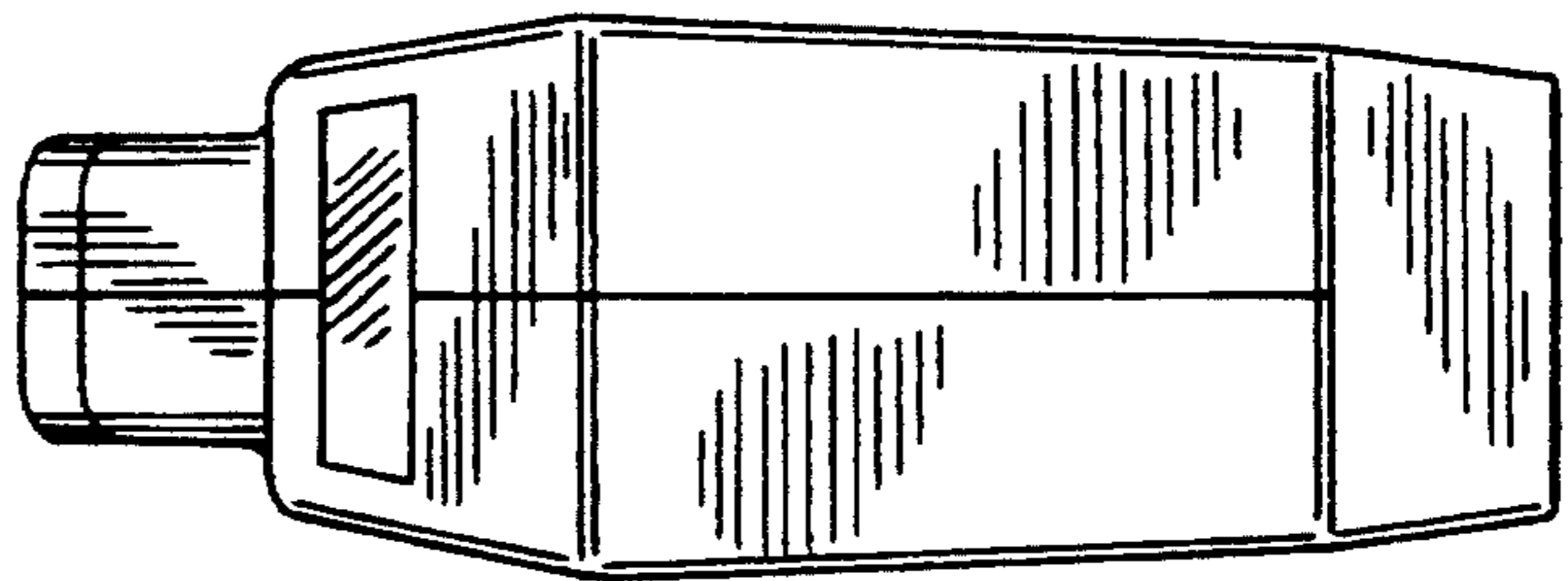


FIG. 4

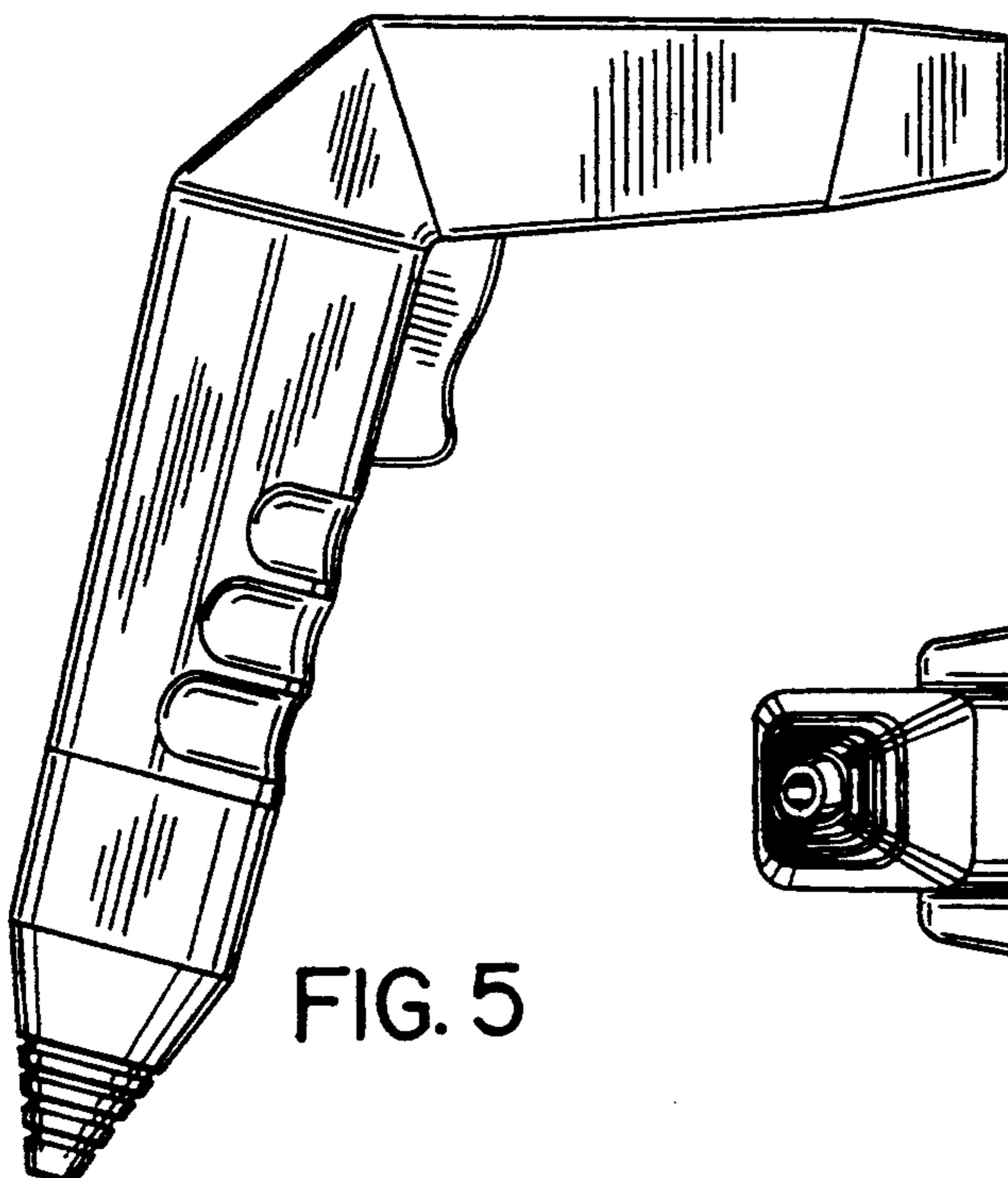


FIG. 5

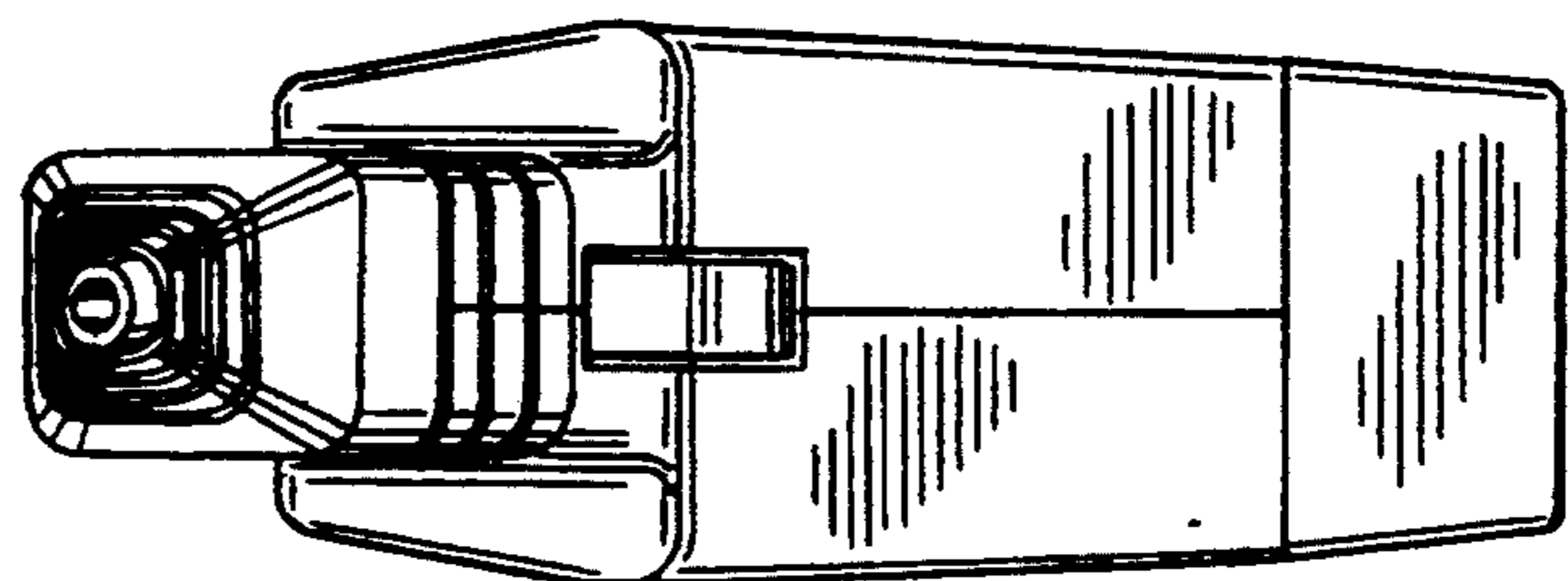


FIG. 6