



US00D356558S

United States Patent [19]

[11] Patent Number: **Des. 356,558**

Montgomery et al.

[45] Date of Patent: **** Mar. 21, 1995**

- [54] **CORDLESS ELECTRONIC MOUSE**
- [75] Inventors: **Paul Montgomery; Herbert Pfeifer,**
both of San Francisco, Calif.
- [73] Assignee: **Logitech, Inc.,** Fremont, Calif.
- [**] Term: **14 Years**
- [21] Appl. No.: **14,436**
- [22] Filed: **Oct. 21, 1993**
- [52] U.S. Cl. **D14/114**
- [58] Field of Search **D14/100, 114; D13/158;**
D21/48; 178/18-19; 200/5 R, 5 A, 6 R, 6 A;
213/148 B; 273/148 B; 345/156-167; 74/471
XY

- D. 349,280 8/1994 Kaneko D14/114
- D. 349,493 8/1994 Cheng D14/114
- 5,311,209 5/1994 Lin 345/165

Primary Examiner—Wallace R. Burke
Assistant Examiner—M. H. Tung
Attorney, Agent, or Firm—James E. Eakin; Janet K. Castaneda

[57] CLAIM

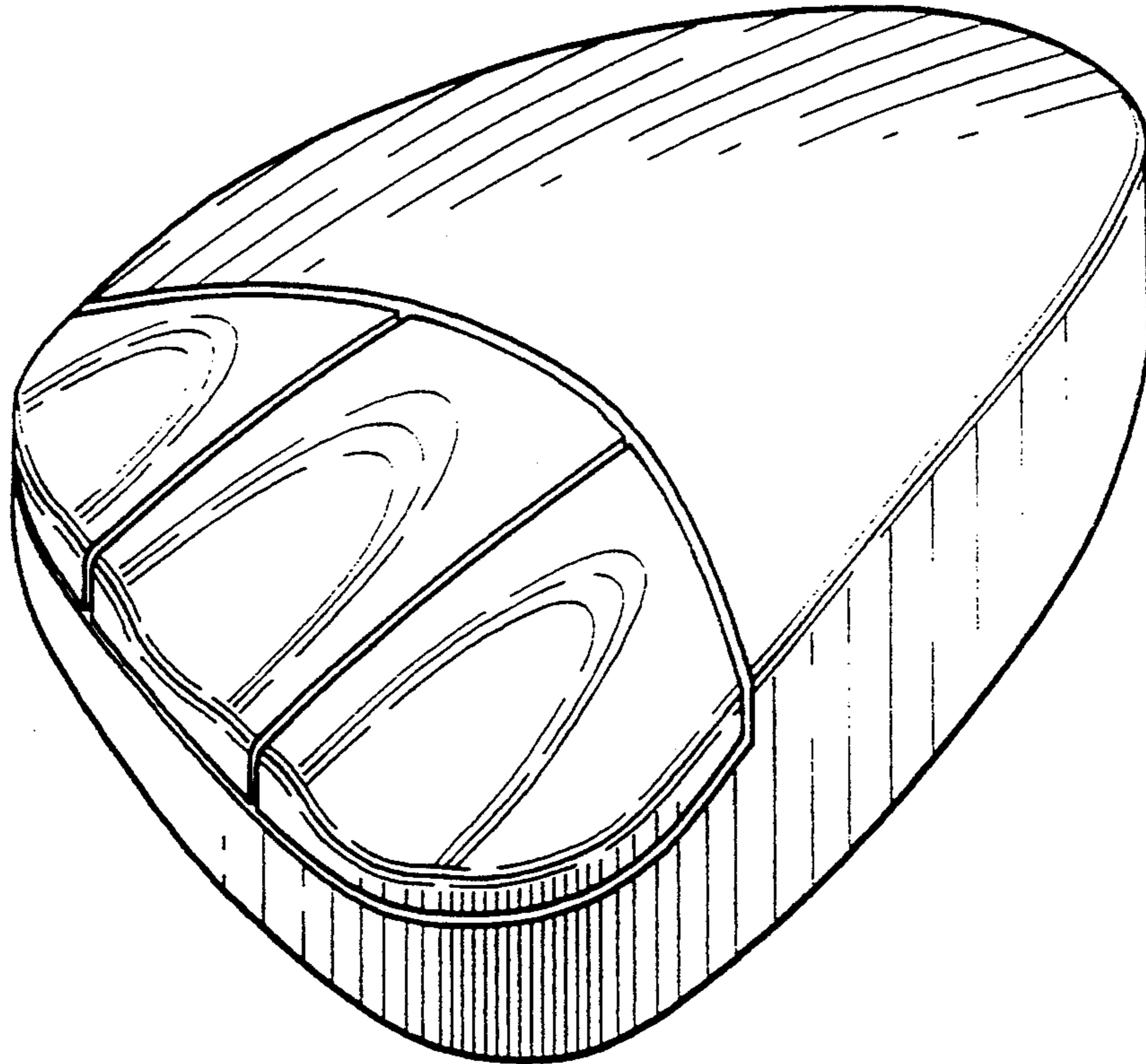
The ornamental design for a cordless electronic mouse, as shown.

DESCRIPTION

FIG. 1 is a front and right side perspective view in elevation of a cordless electronic mouse showing the new design of the present invention;
 FIG. 2 is a top plan view thereof;
 FIG. 3 is a bottom plan view thereof;
 FIG. 4 is a front elevational view thereof;
 FIG. 5 is a rear elevational view thereof;
 FIG. 6 is a left side elevational view thereof; and,
 FIG. 7 is a right side elevational view thereof.

[56] **References Cited**
U.S. PATENT DOCUMENTS

- D. 314,194 1/1991 Norris D14/114
- D. 328,597 8/1992 Clouss D14/114
- D. 331,231 11/1992 Yang D14/114
- D. 335,875 5/1993 Chen D14/114



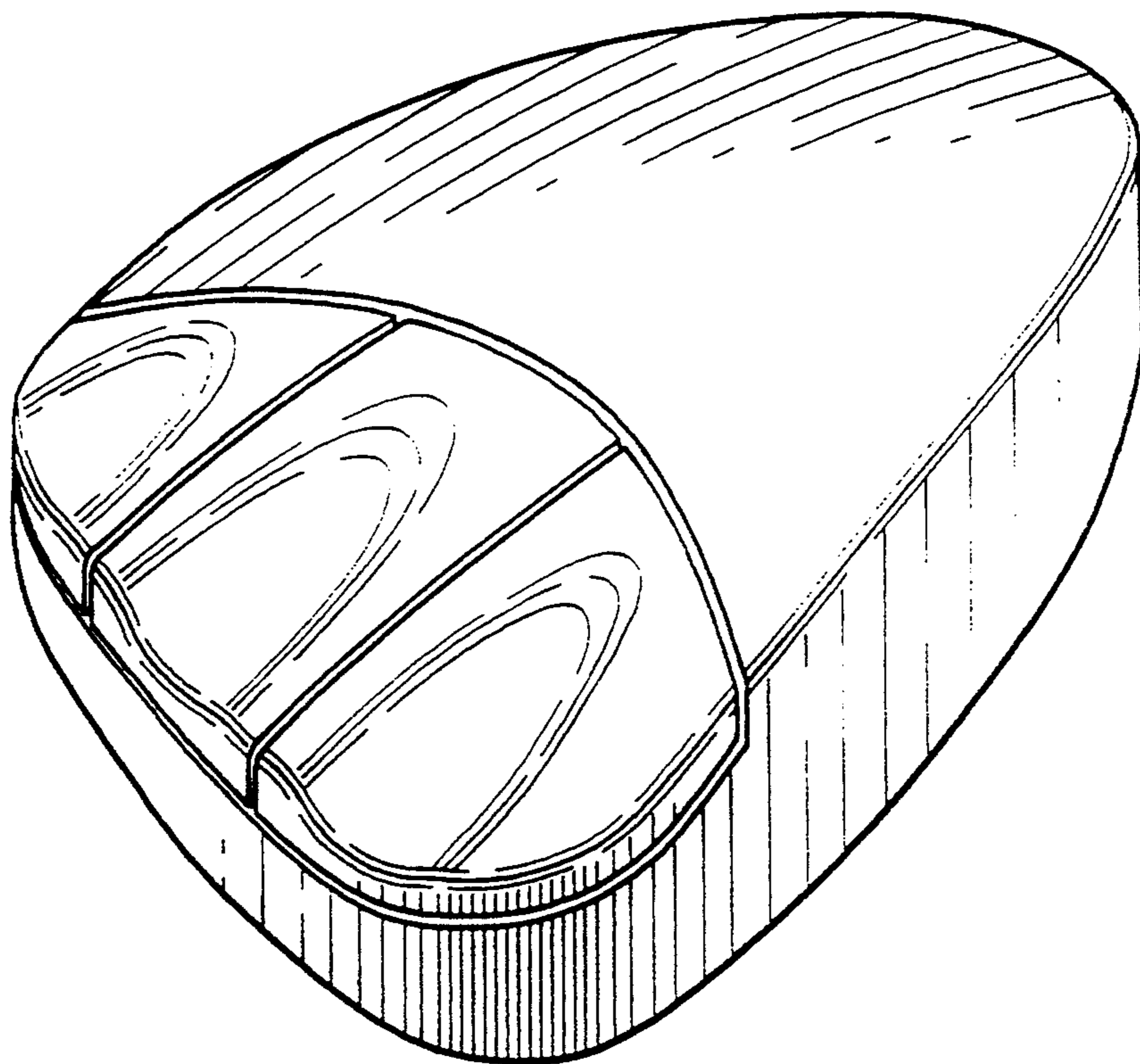


FIG. 1

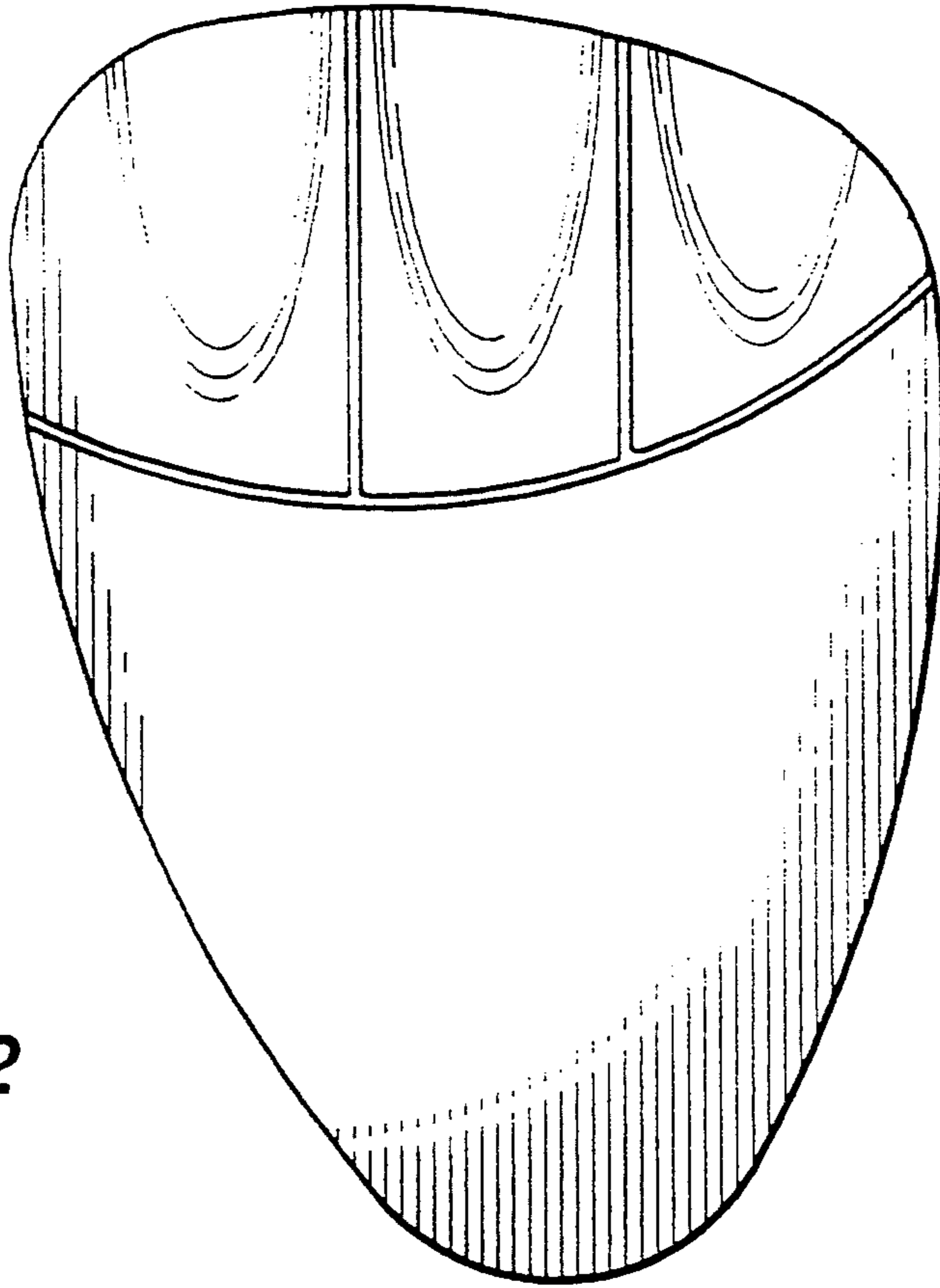


FIG. 2

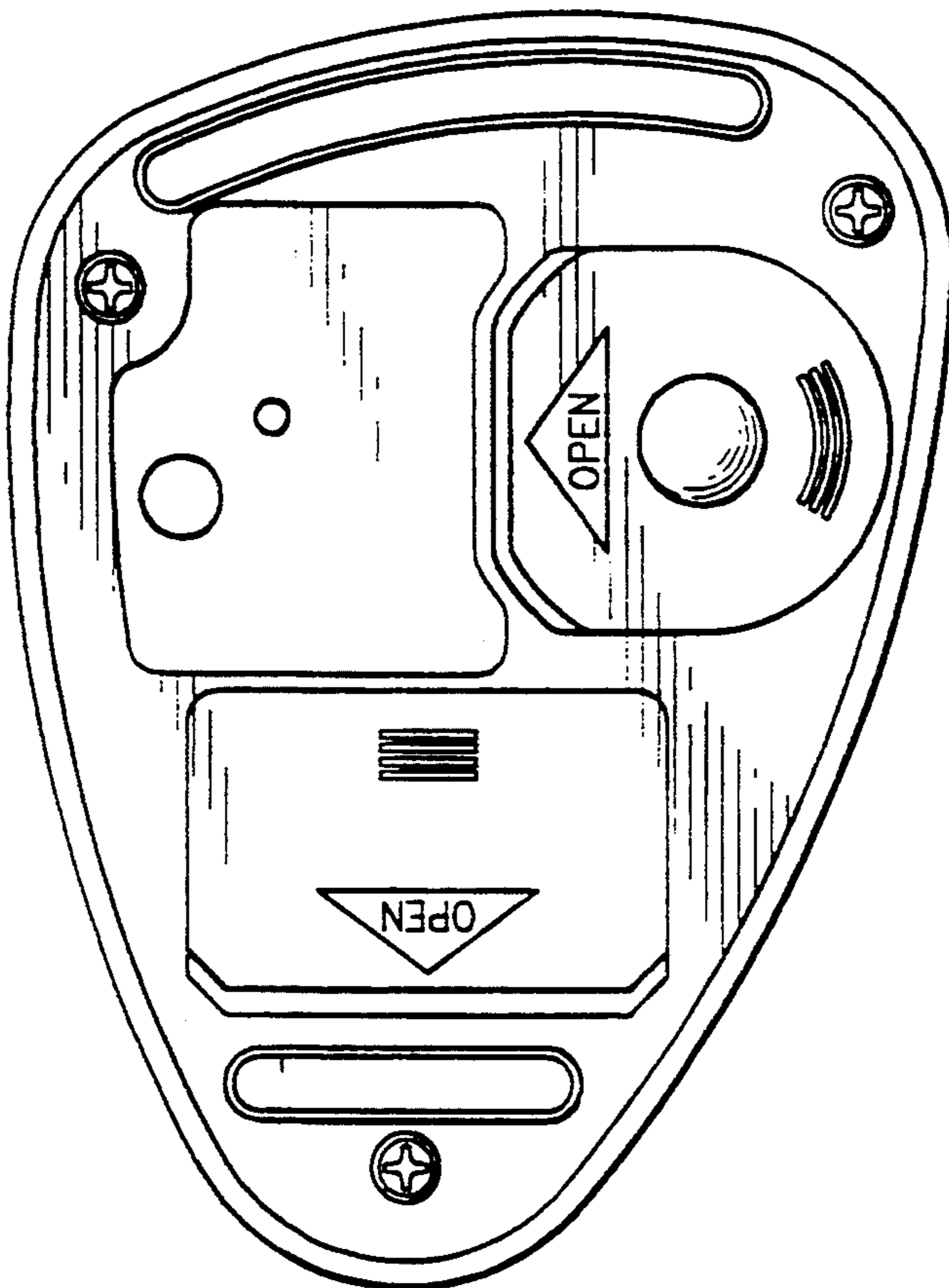


FIG. 3

FIG. 4

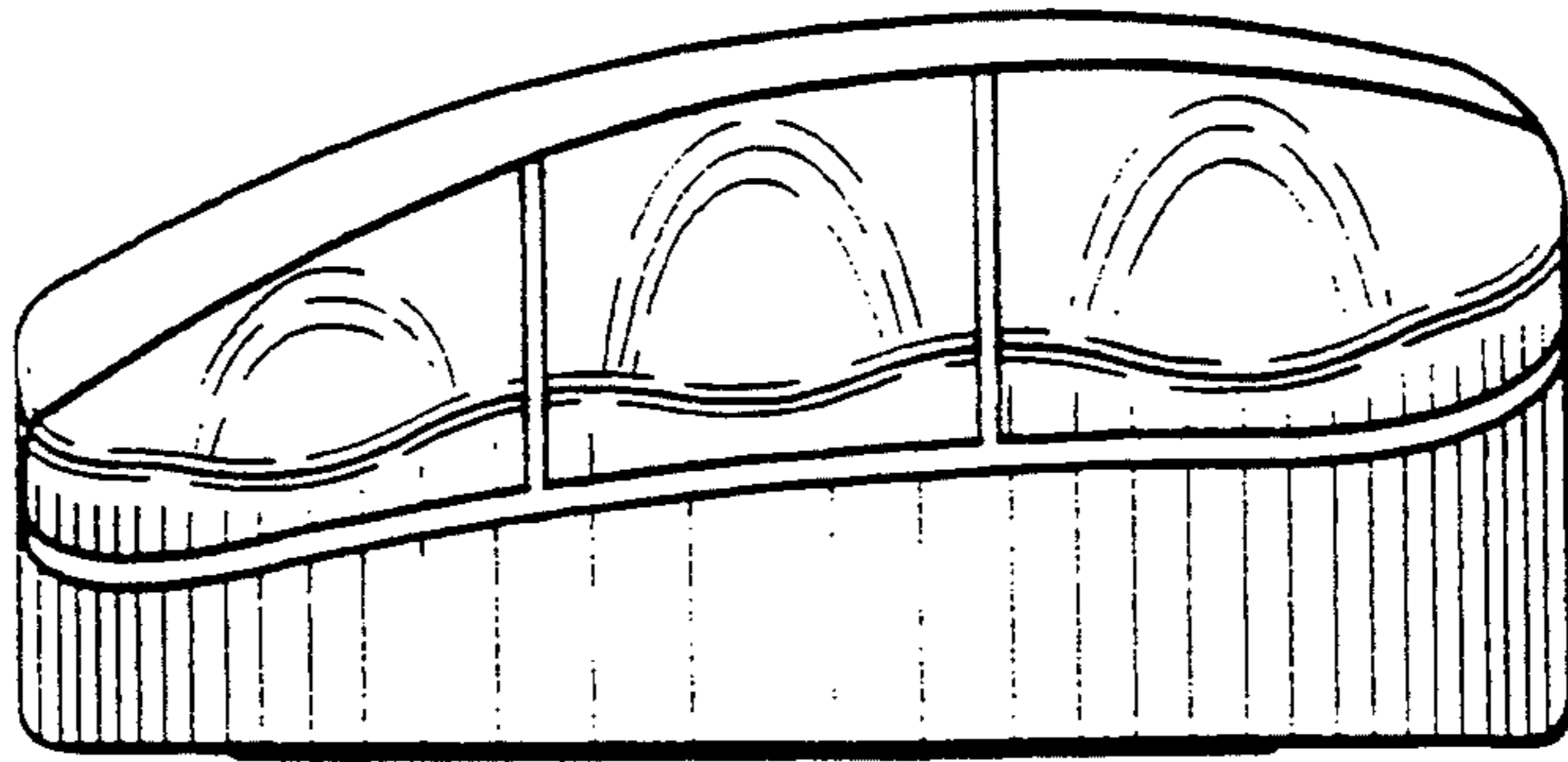


FIG. 5

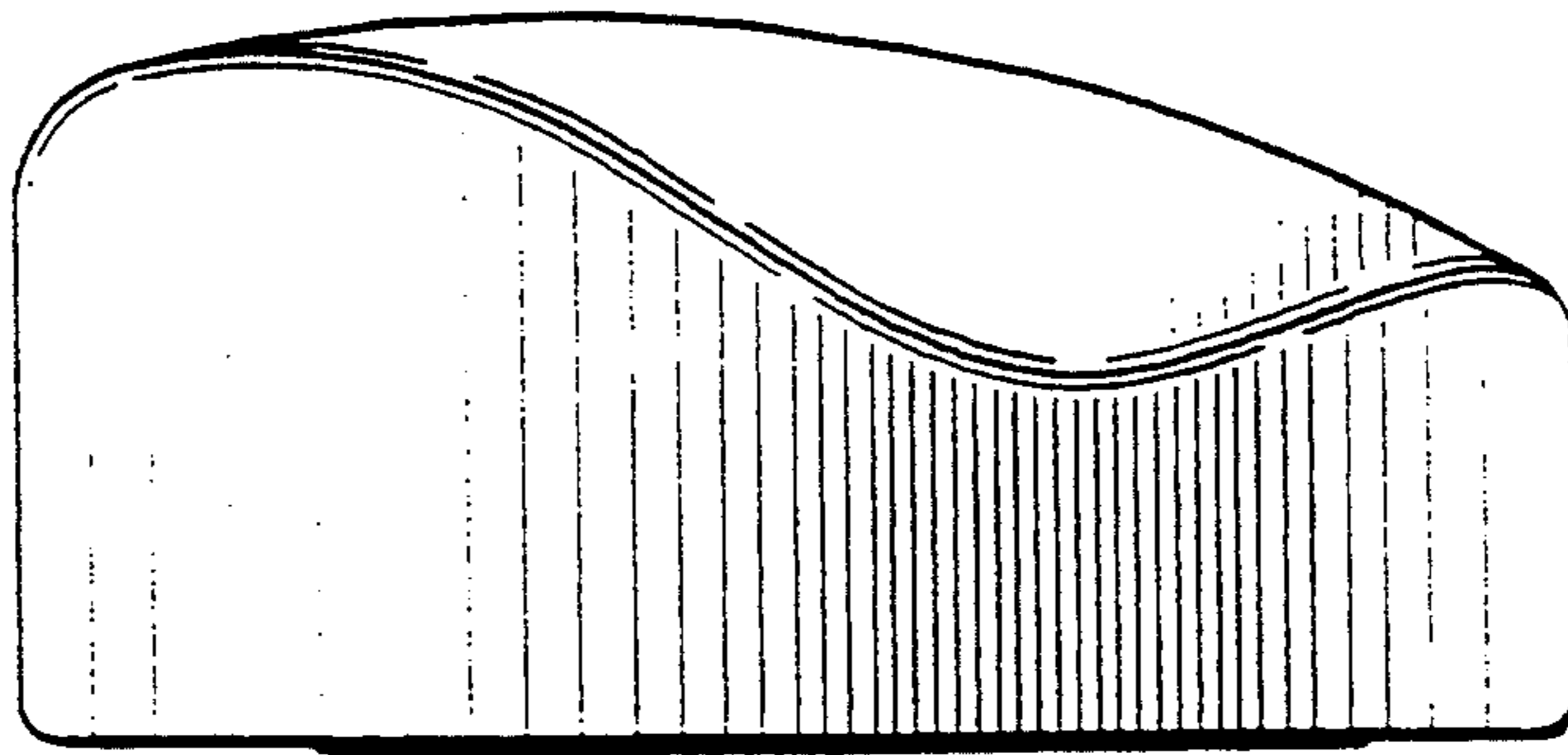


FIG. 6

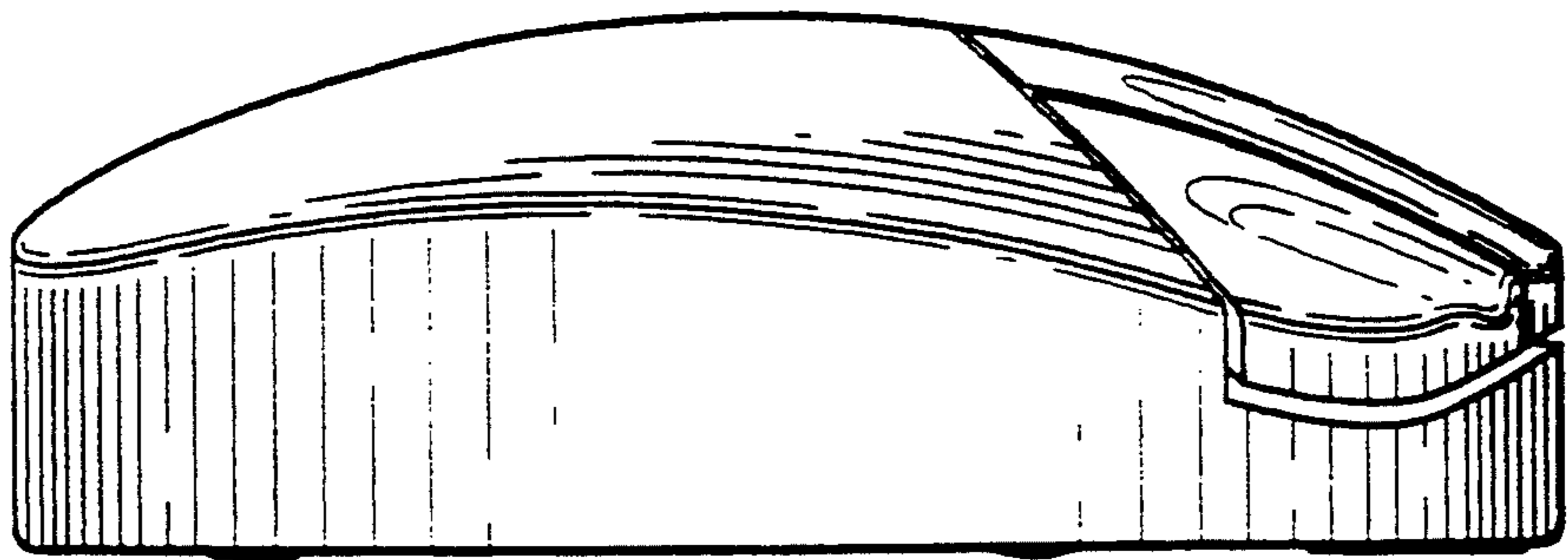


FIG. 7

