



US00D356557S

# United States Patent [19]

[11] Patent Number: Des. 356,557

Takemasa et al.

[45] Date of Patent: \*\* Mar. 21, 1995

## [54] VIDEO MONITOR

[75] Inventors: **Hirofumi Takemasa; Hiroyuki Maeno**, both of Osaka; **Eiichiro Naito**, Hyogo; **Tadakazu Narikawa**, Kanagawa; **Junichi Yamada**, Saitama, all of Japan

[73] Assignee: **Matsushita Electric Industrial Co., Ltd.**, Osaka, Japan

[\*\*] Term: **14 Years**

[21] Appl. No.: **15,277**

[22] Filed: **Nov. 12, 1993**

### [30] Foreign Application Priority Data

May 13, 1993 [JP] Japan ..... 5-14036

[52] U.S. Cl. .... **D14/113; D14/126**

[58] Field of Search ..... **D14/100, 101, 106, 113, D14/124-127, 129; 345/104, 133, 156, 168, 173, 87, 901-905; 248/917-924**

## [56] References Cited

### U.S. PATENT DOCUMENTS

D. 311,533	10/1990	Yanagihara	.....	D14/126
D. 312,452	11/1990	Takehara	.....	D14/113
D. 317,597	6/1991	Kawanabe	.....	D14/126
D. 336,292	6/1993	Asanuma et al.	.....	D14/129
D. 339,574	9/1993	Althans et al.	.....	D14/113

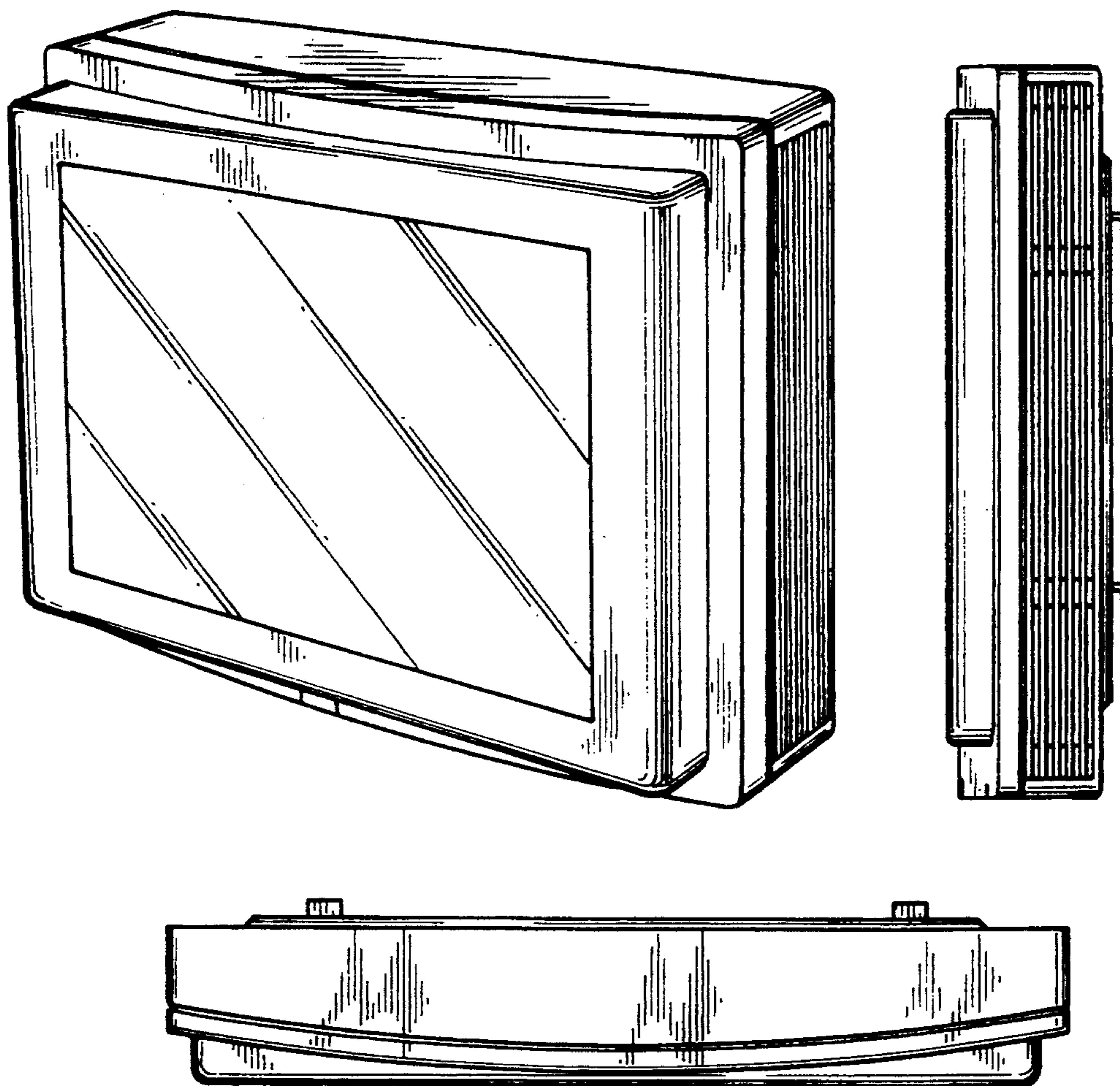
*Primary Examiner*—Freda S. Nunn  
*Attorney, Agent, or Firm*—Sughrue, Mion, Zinn, Macpeak & Seas

## [57] CLAIM

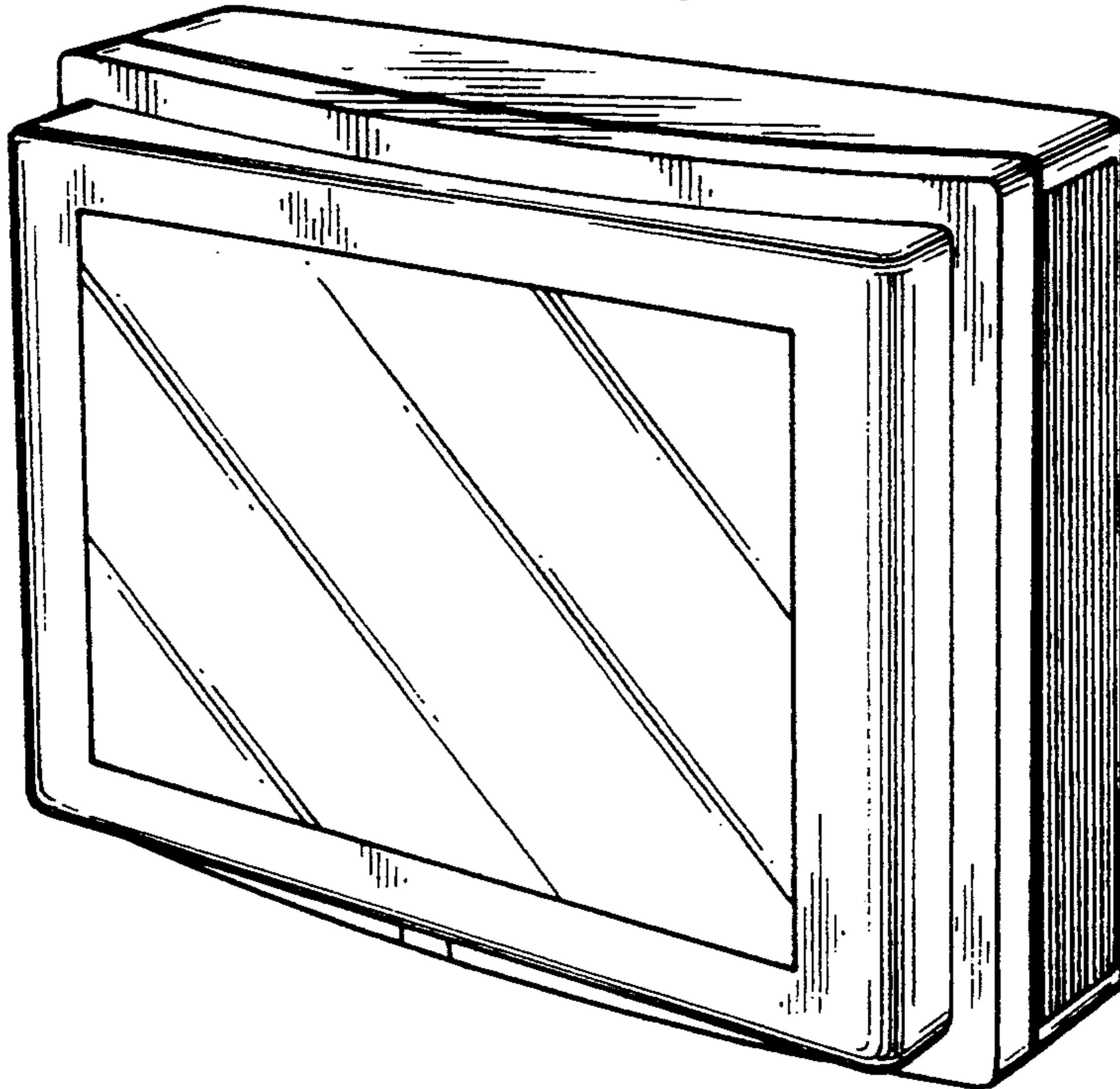
The ornamental design for a video monitor, as shown and described.

## DESCRIPTION

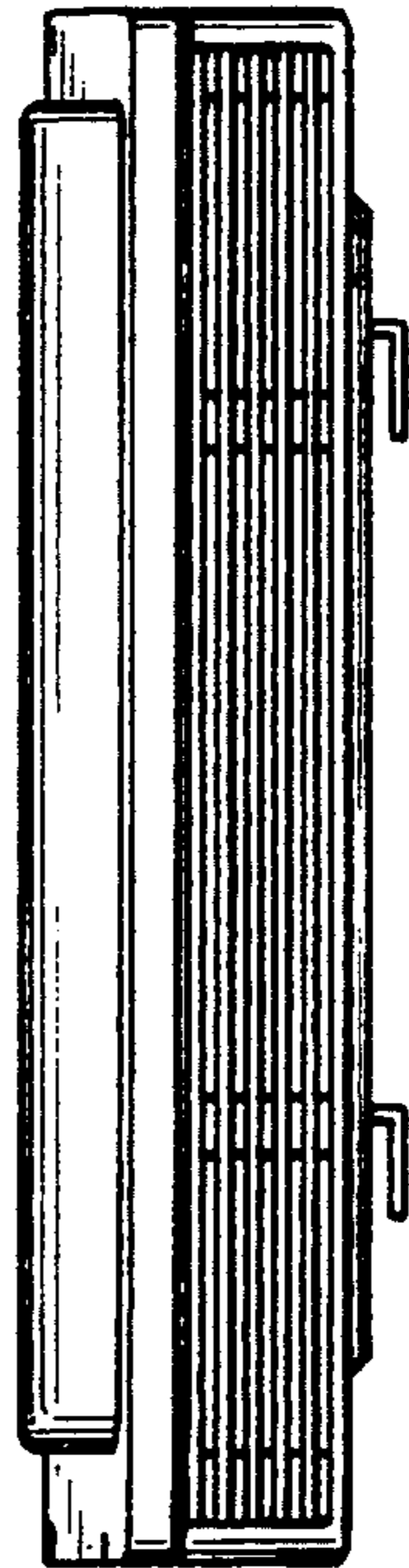
FIG. 1 is a front, top and right side perspective view of a video monitor showing our new design; FIG. 2 is a right side elevational view thereof, the opposite side being a mirror image thereof; FIG. 3 is a front elevational view thereof; FIG. 4 is a top plan view thereof; FIG. 5 is a rear elevational view thereof; and, FIG. 6 is a bottom plan view thereof.



*FIG. 1*



*FIG. 2*



*FIG. 3*

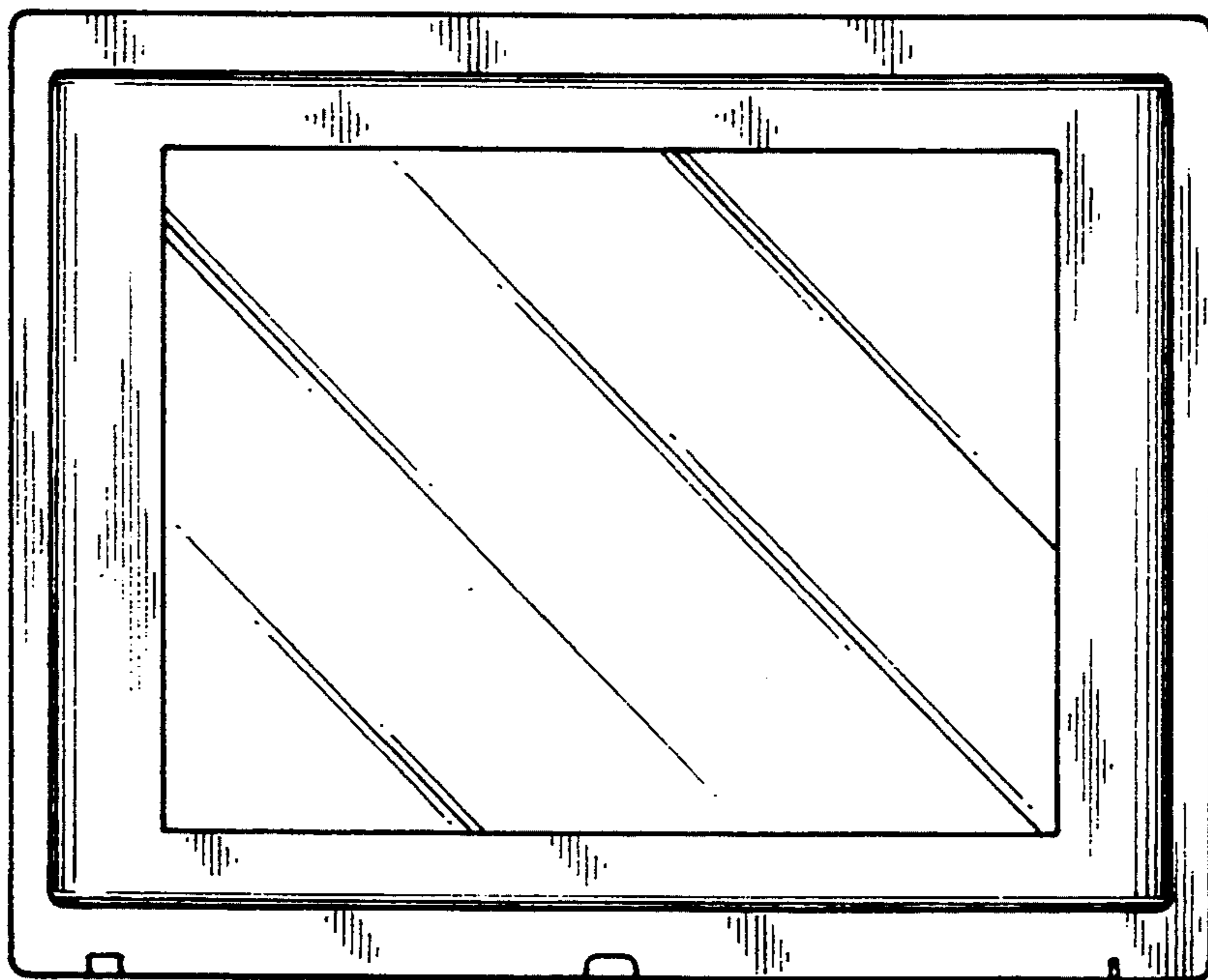


FIG. 4

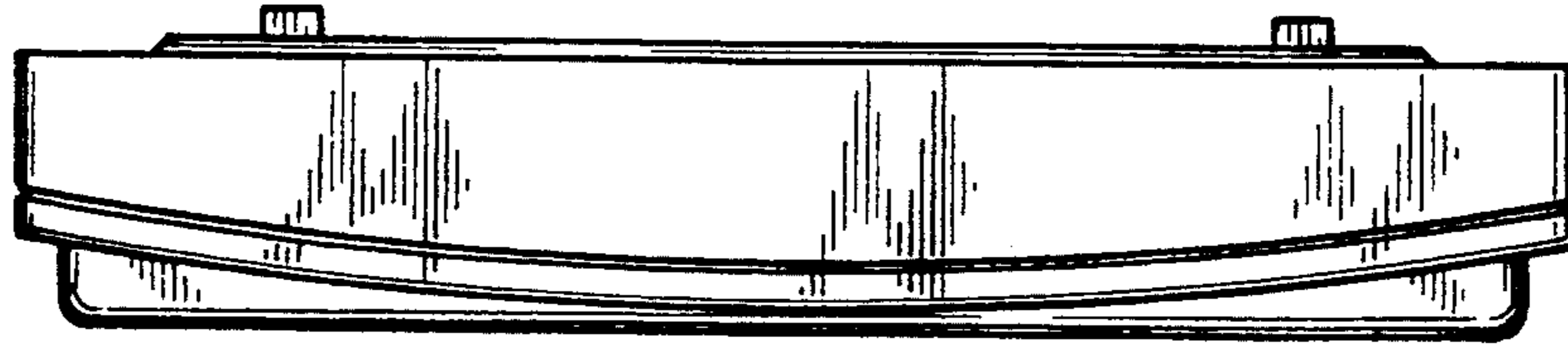


FIG. 5

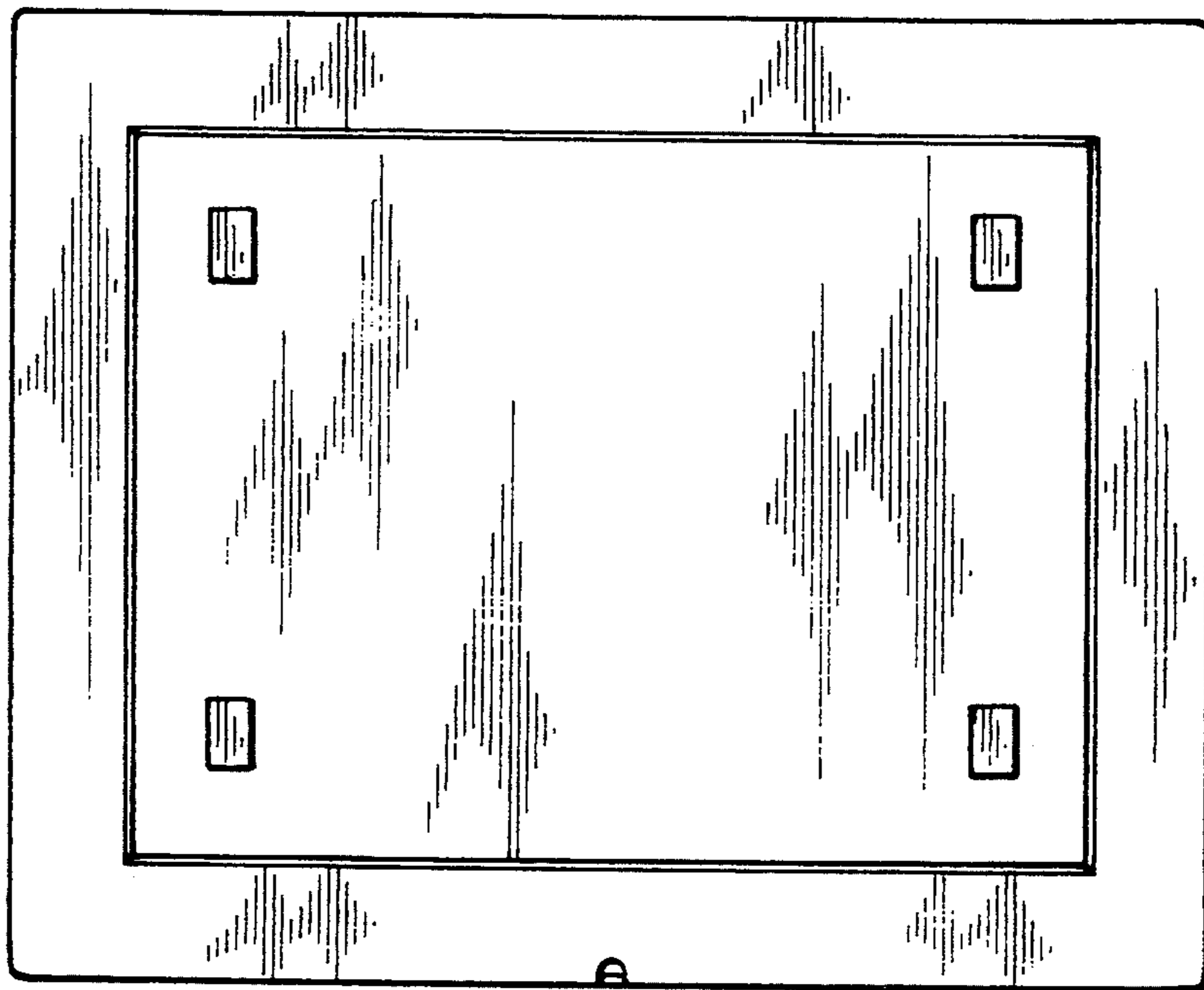


FIG. 6

