



US00D356556S

United States Patent [19]

[11] Patent Number: Des. 356,556

Maeno et al.

[45] Date of Patent: ** Mar. 21, 1995

[54] VIDEO MONITOR

[56] References Cited

[75] Inventors: **Hiroyuki Maeno**, Osaka; **Eiichiro Naito**, Hyogo; **Hirofumi Takemasa**, Osaka, all of Japan

U.S. PATENT DOCUMENTS

D. 311,533	10/1990	Yanagihara	D14/126
D. 312,452	11/1990	Takehara	D14/113
D. 317,597	6/1991	Kawanabe	D14/126
D. 336,292	6/1993	Asanuma et al.	D14/129
D. 339,574	9/1993	Althans et al.	D14/113

[73] Assignee: **Matsushita Electric Industrial Co., Ltd.**, Osaka, Japan

Primary Examiner—Freda S. Nunn
Attorney, Agent, or Firm—Sughrue, Mion, Zinn, Macpeak & Seas

[**] Term: 14 Years

[57] CLAIM

[21] Appl. No.: 15,278

The ornamental design for a video monitor, as shown and described.

[22] Filed: Nov. 12, 1993

DESCRIPTION

[30] Foreign Application Priority Data

May 13, 1993 [JP] Japan 5-14035

[52] U.S. Cl. D14/113; D14/126

[58] Field of Search D14/100, 101, 106, 113, D14/124-127, 129; 345/87, 104, 133, 156, 168, 173, 901-905; 248/917-924

FIG. 1 is a front, top and right side perspective view of a video monitor showing our new design; FIG. 2 is a right side elevational view thereof, the opposite side being a mirror image thereof; FIG. 3 is a front elevational view thereof; FIG. 4 is a top plan view thereof; FIG. 5 is a rear elevational view thereof; and, FIG. 6 is a bottom plan view thereof.

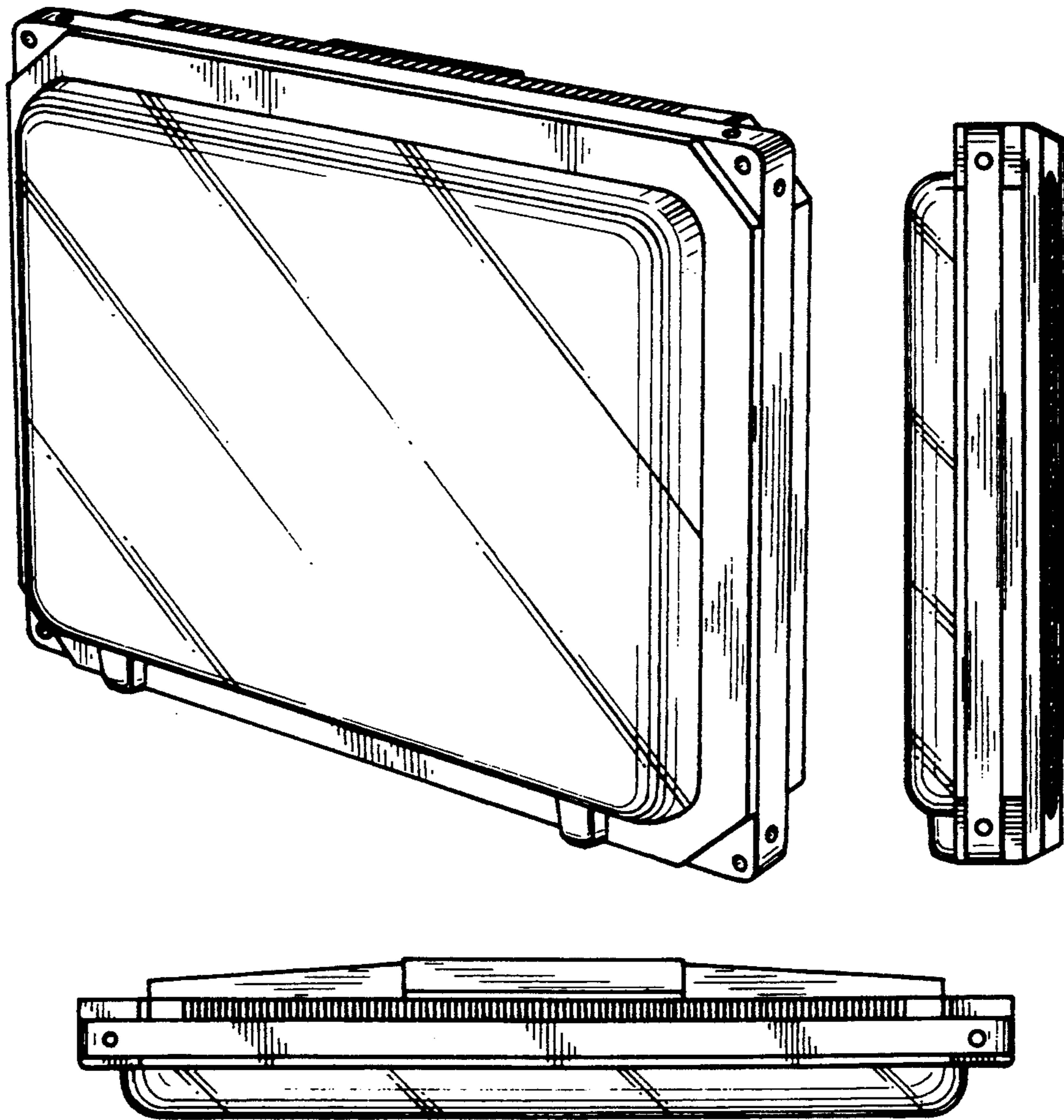


FIG. 1

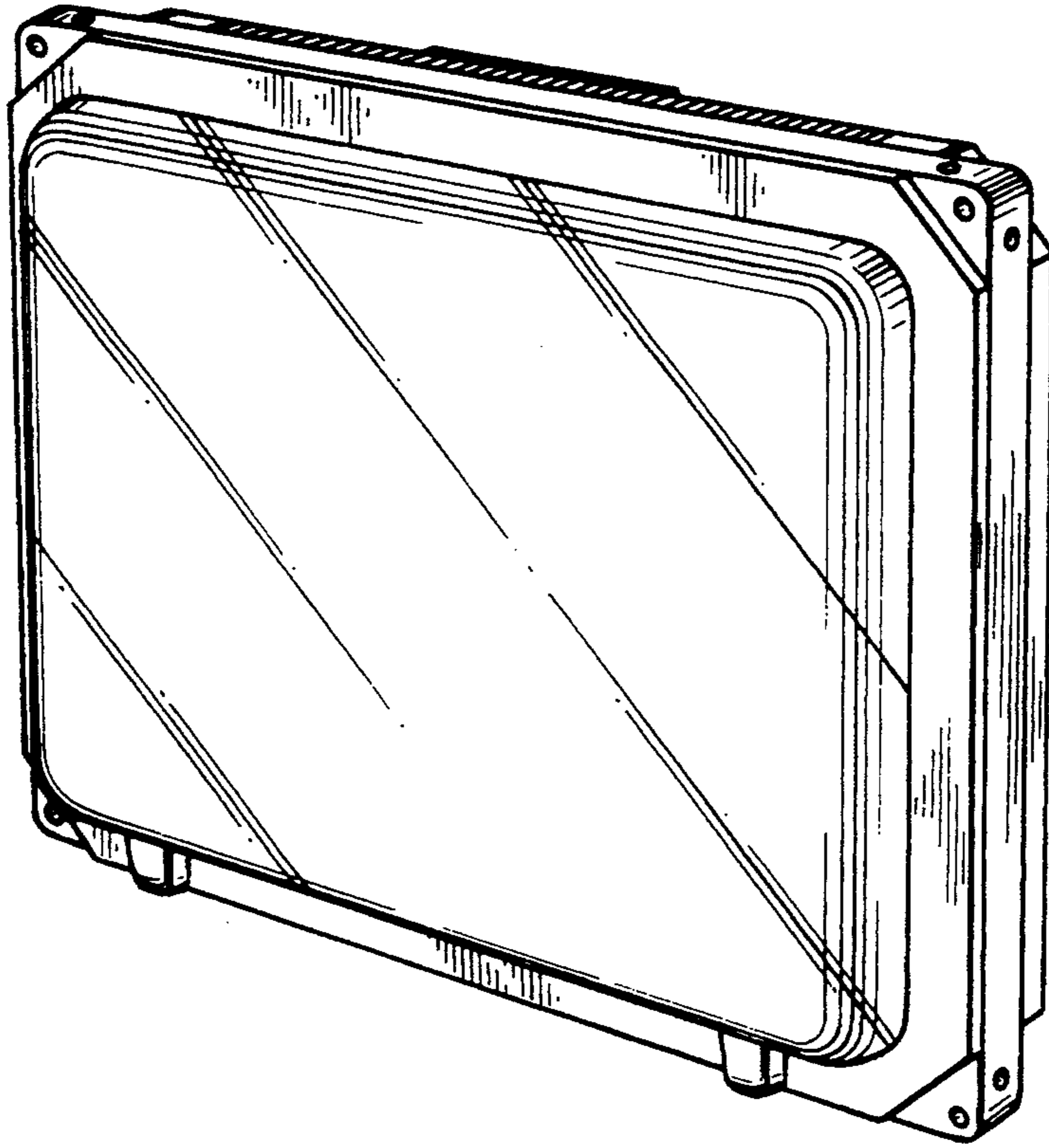


FIG. 2



FIG. 3

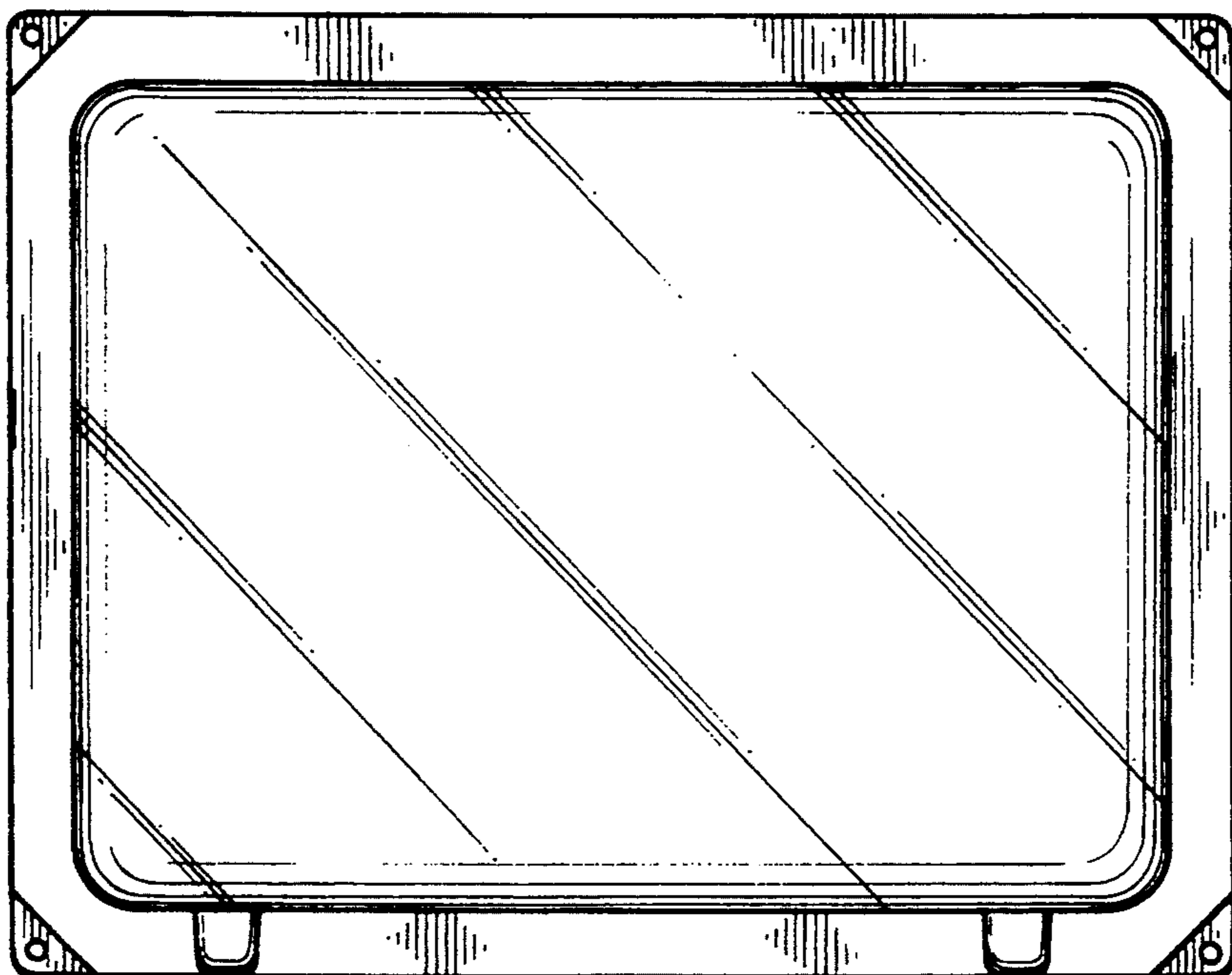


FIG. 4



FIG. 5

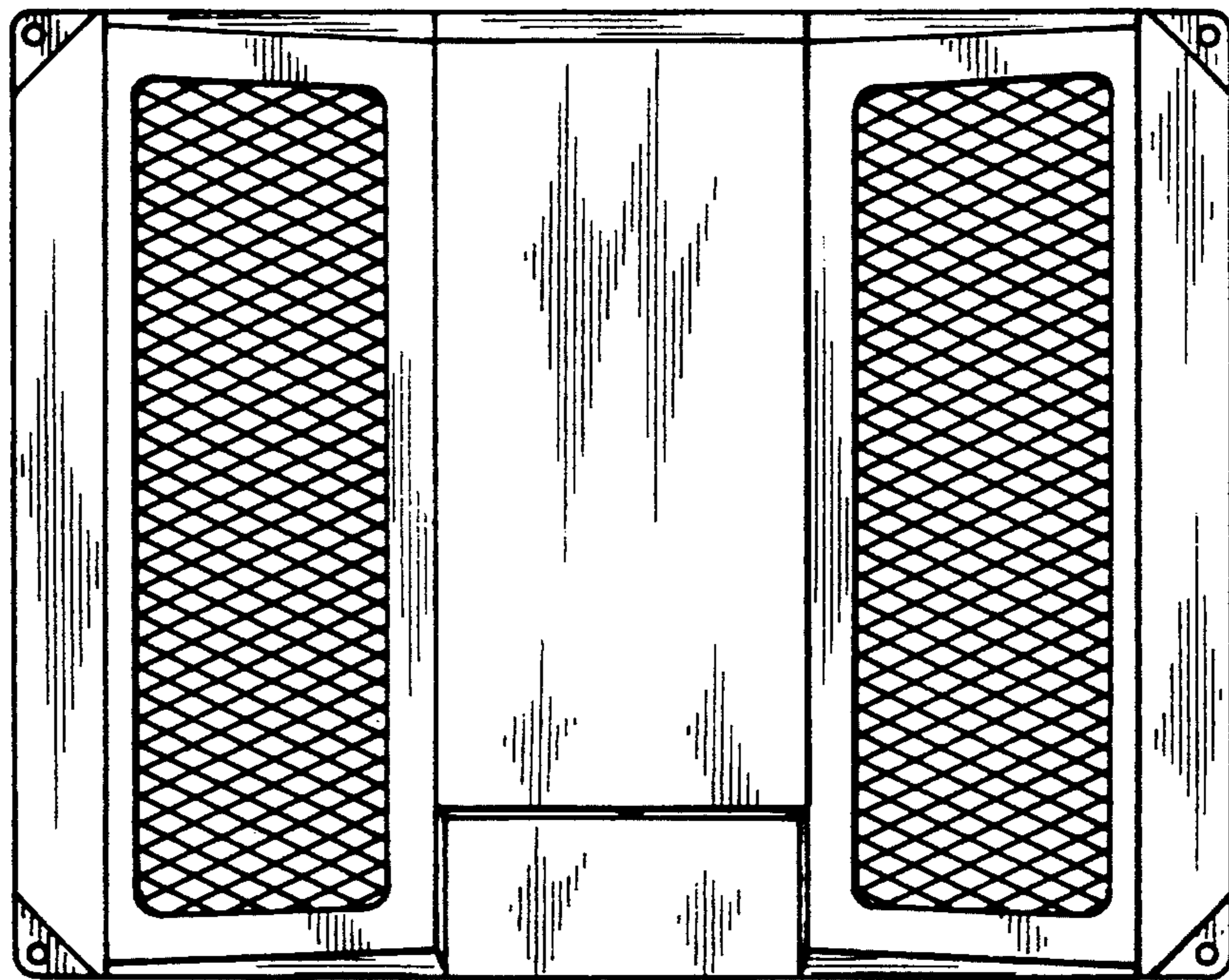


FIG. 6

