



US00D356551S

United States Patent [19]

[11] Patent Number: **Des. 356,551**

Ahn

[45] Date of Patent: **** Mar. 21, 1995**

[54] FLUORESCENT LAMP BALLAST

[75] Inventor: **Youngkee Ahn**, Buffalo Grove, Ill.

[73] Assignee: **Motorola Lighting, Inc.**, Buffalo Grove, Ill.

[**] Term: **14 Years**

[21] Appl. No.: **11,345**

[22] Filed: **Aug. 2, 1993**

[52] U.S. Cl. **D13/110**

[58] Field of Search **D13/110; 336/90, 96; 174/DIG. 2**

FOREIGN PATENT DOCUMENTS

644085 7/1962 Canada 174/DIG. 2
728824 2/1966 Canada 174/DIG. 2

OTHER PUBLICATIONS

Ballast on p. 331 of Hong Kong Enterprise, Oct. 1993.

Primary Examiner—Joel Sincavage
Attorney, Agent, or Firm—J. Ray Wood

[57] CLAIM

The ornamental design for the fluorescent lamp ballast, as shown and described.

[56] References Cited

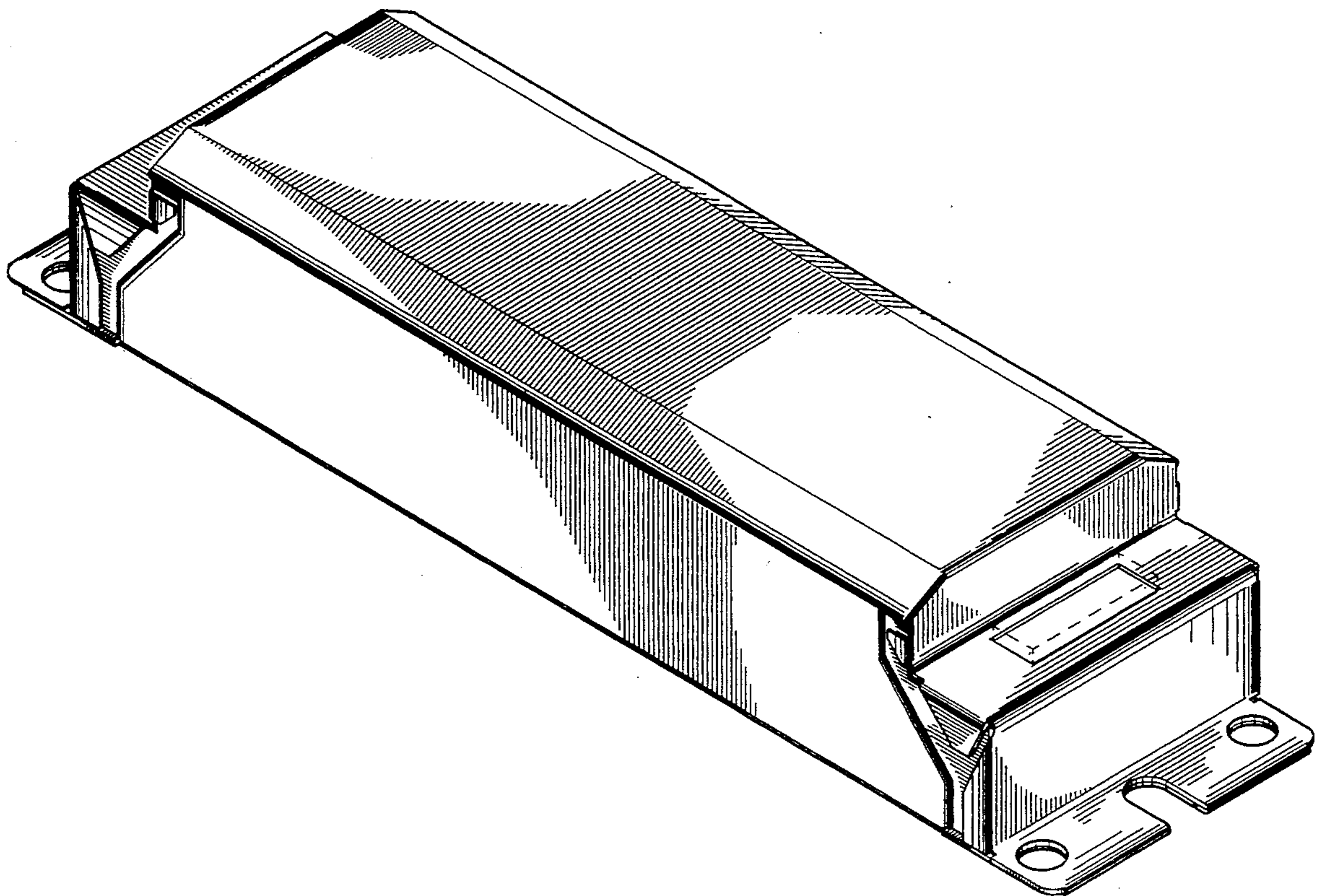
U.S. PATENT DOCUMENTS

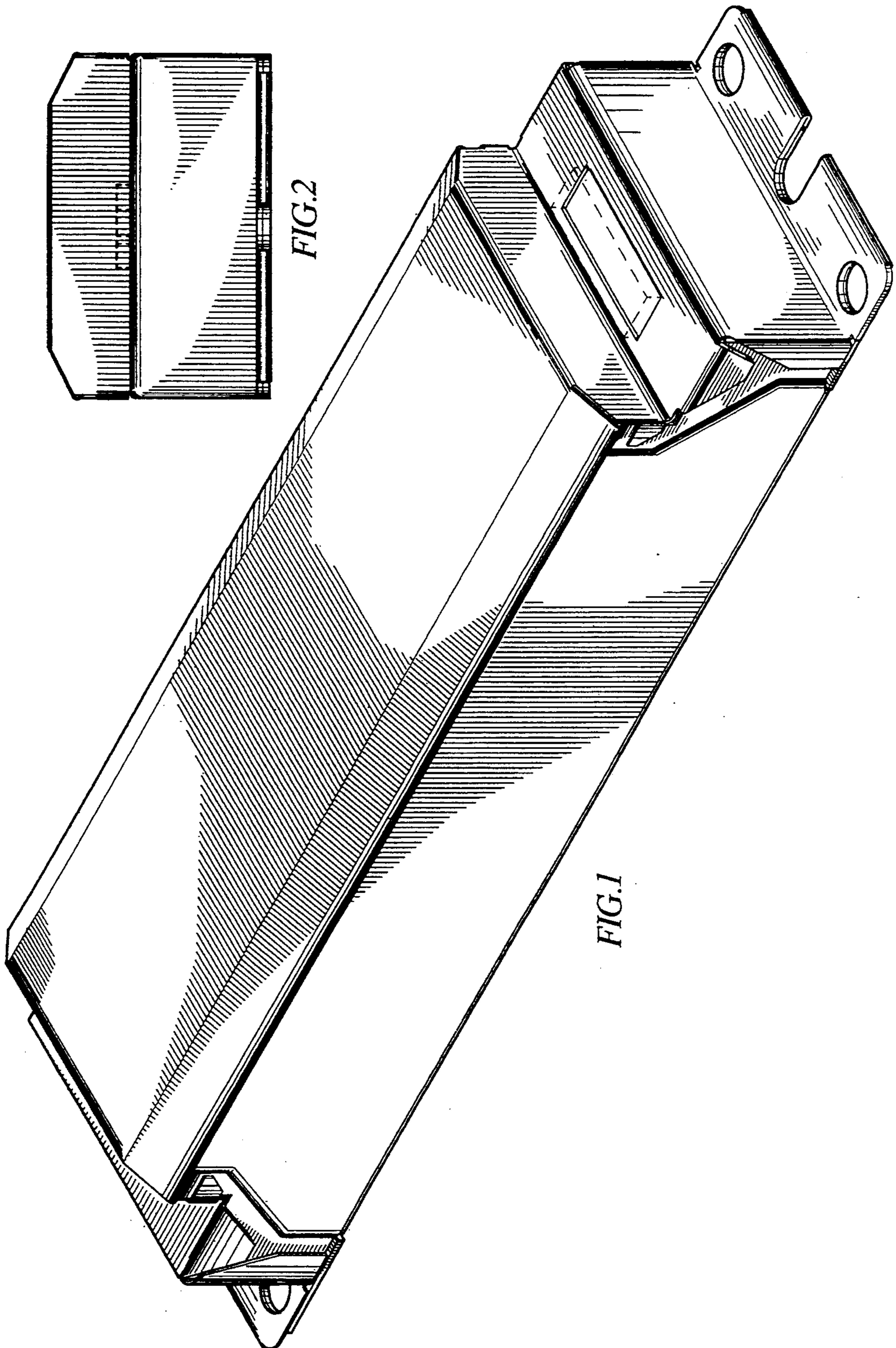
3,482,032 12/1969 McVoy, Jr. 174/DIG. 2
4,729,740 3/1988 Crowe et al. 174/DIG. 2 X
4,897,627 1/1990 Van Wagener et al. D13/110 X
4,916,363 4/1990 Burton et al. 174/DIG. 2 X
5,006,764 4/1991 Swanson et al. 174/DIG. 2 X
5,260,678 11/1993 Van Wagener et al. D13/110 X

DESCRIPTION

FIG. 1 is a top, right, front perspective view;
FIG. 2 is a left elevation view;
FIG. 3 is a rear elevation view; and,
FIG 4 is a bottom, plan view.

The broken line showing in FIGS. 1, 2 and 3 is included for the purpose of illustrating environmental structure only and forms no part of the claimed design.





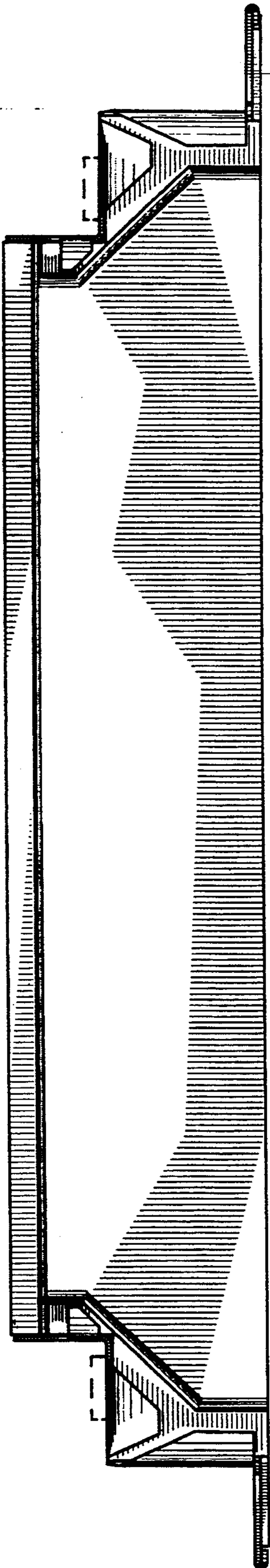


FIG. 3

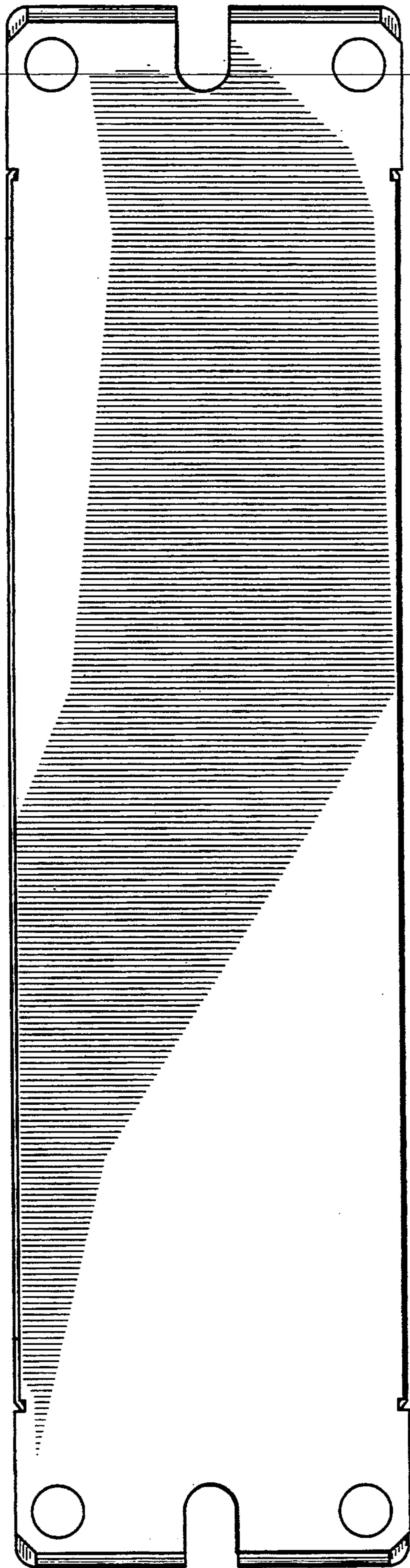


FIG. 4