



US00D356550S

United States Patent [19]

[11] Patent Number: **Des. 356,550**

Mizusugi et al.

[45] Date of Patent: **** Mar. 21, 1995**

[54] **COMPUTER**

[56] **References Cited**

[75] Inventors: **Kanji Mizusugi, Mie; Kensho Tsuji,**
Nara, both of Japan

U.S. PATENT DOCUMENTS

- D. 287,006 12/1986 Fletcher et al. D13/184
- D. 321,174 10/1991 Tsuchiya D14/100
- D. 337,569 7/1993 Kando D14/100
- D. 341,821 11/1993 Savio D14/100
- D. 341,823 11/1993 Sakai D14/100

[73] Assignee: **Sharp Kabushiki Kaisha,** Osaka,
Japan

Primary Examiner—Freda S. Nunn
Attorney, Agent, or Firm—Nixon & Vanderhye

[**] Term: **14 Years**

[57] CLAIM

[21] Appl. No.: **16,345**

The ornamental design for a computer, as shown and described.

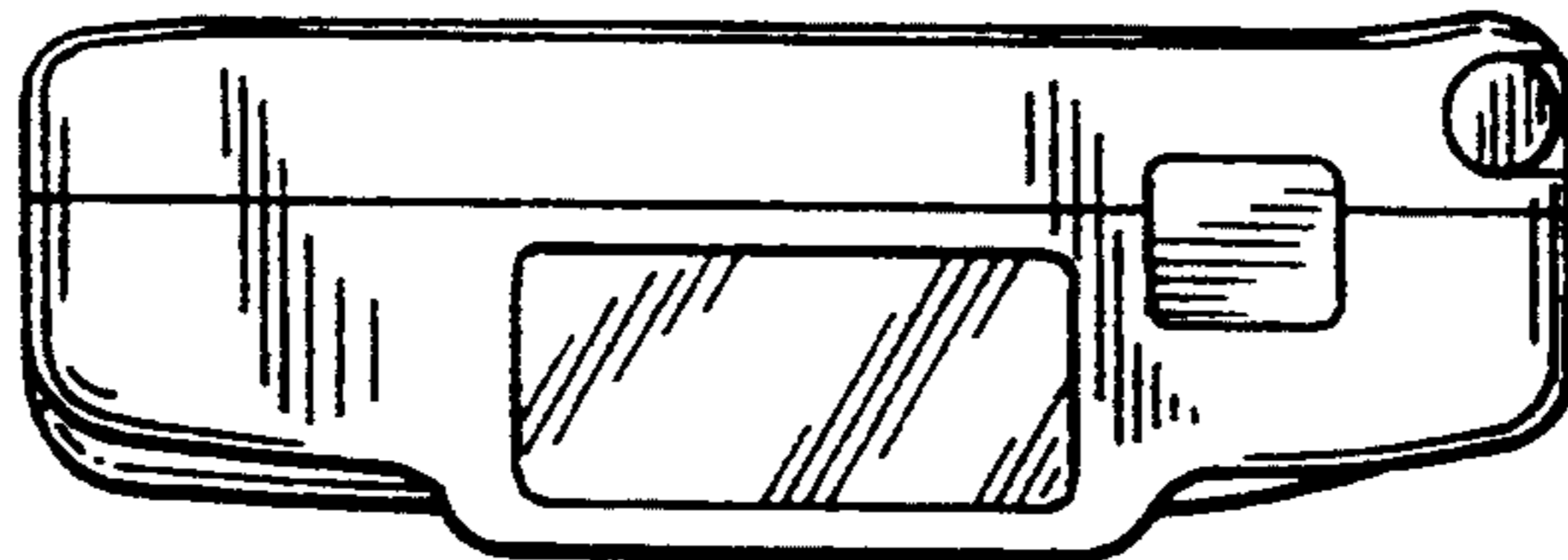
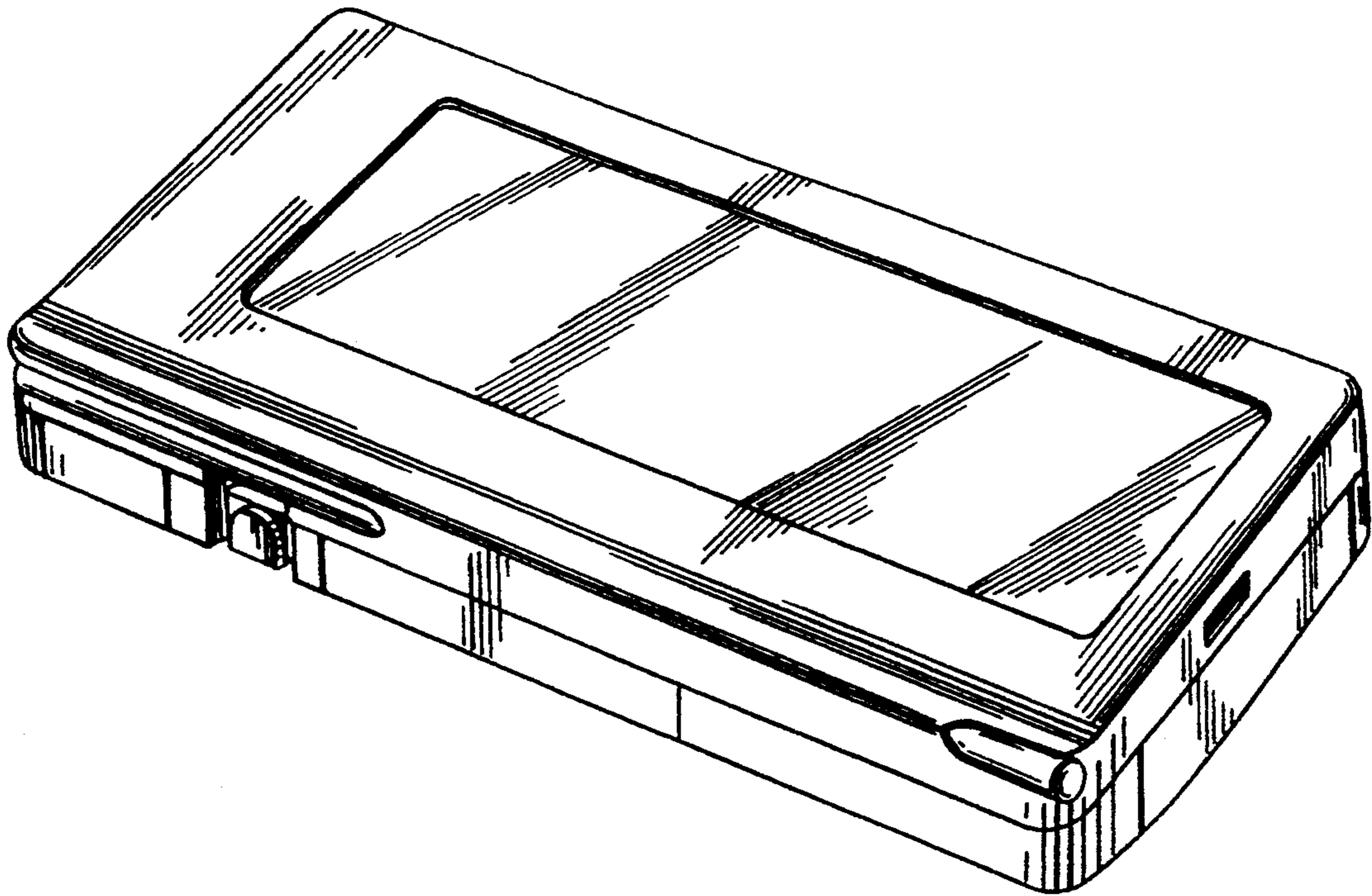
[22] Filed: **Dec. 14, 1993**

DESCRIPTION

[30] Foreign Application Priority Data

- Jun. 14, 1993 [JP] Japan 5-17794
- [52] U.S. Cl. **D14/100**
- [58] Field of Search D14/100, 106, 105, 115;
D18/1, 7, 11, 12; 178/18, 19; 235/145 A, 145 R;
341/22, 23; 345/156, 168, 169, 172, 173, 87;
364/708.1

FIG. 1 is a top, front and right side perspective view of a computer according to our design;
 FIG. 2 is a front elevational view thereof;
 FIG. 3 is a left side elevational view thereof;
 FIG. 4 is a right side elevational view thereof;
 FIG. 5 is a rear elevational view thereof;
 FIG. 6 is a top plan view thereof; and,
 FIG. 7 is a bottom plan view thereof.



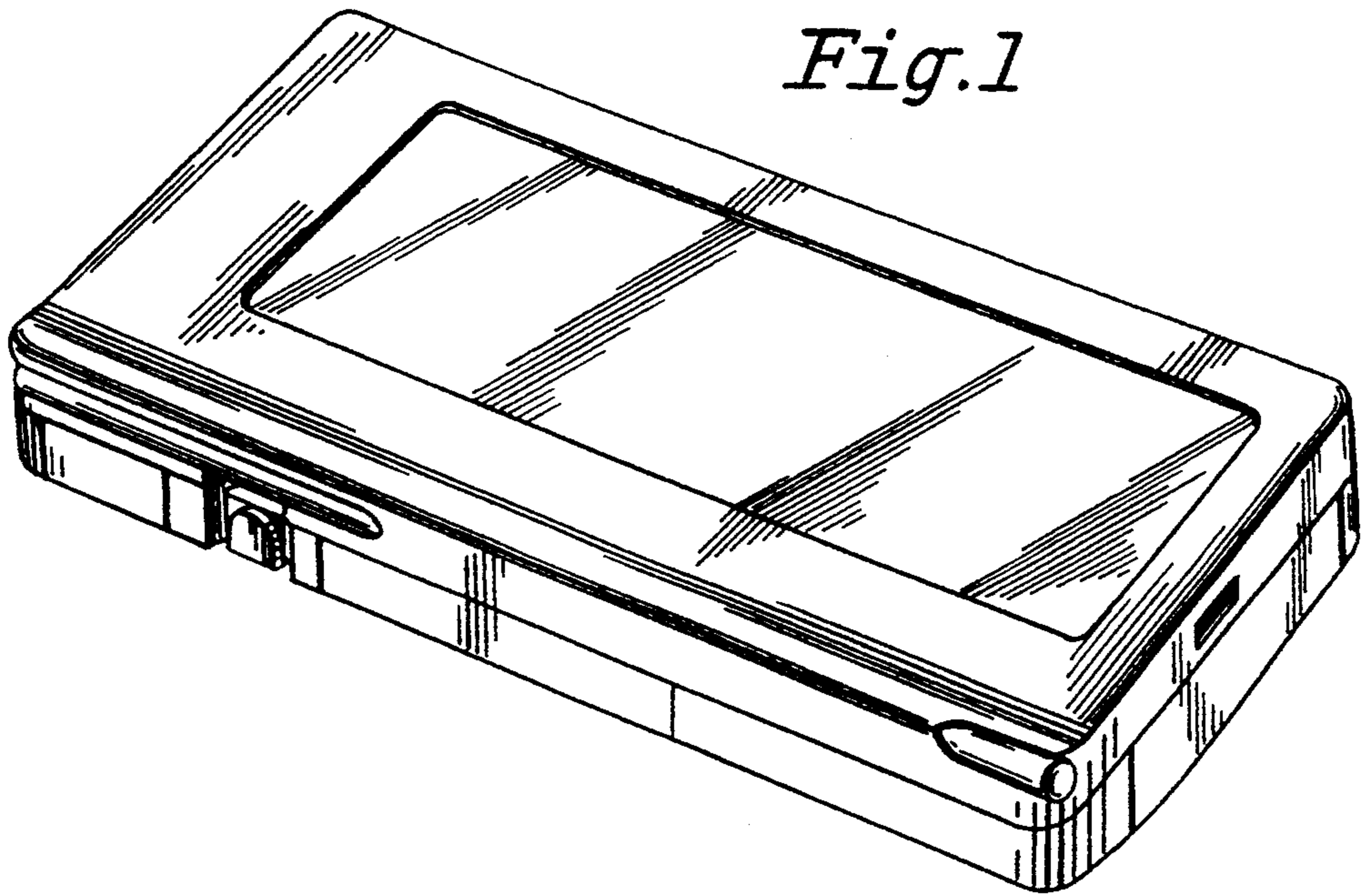


Fig. 2

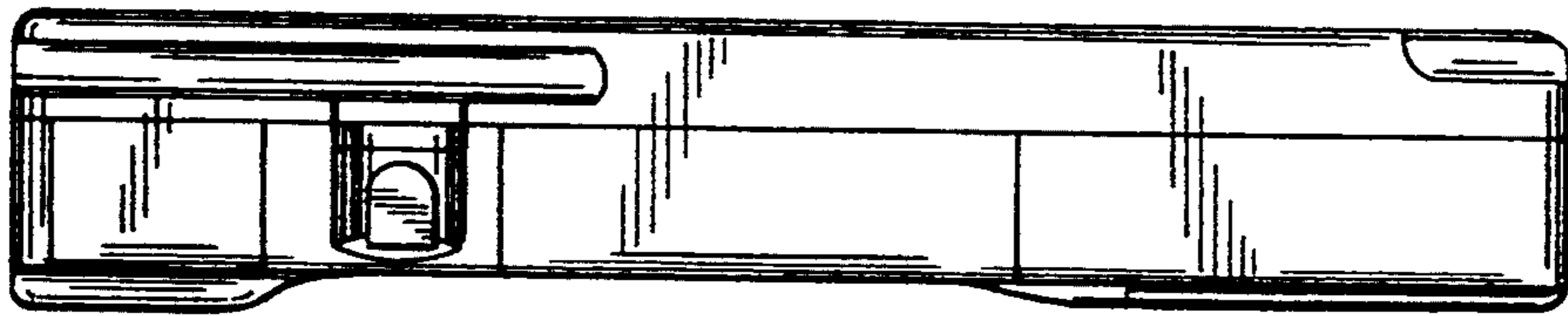


Fig. 3

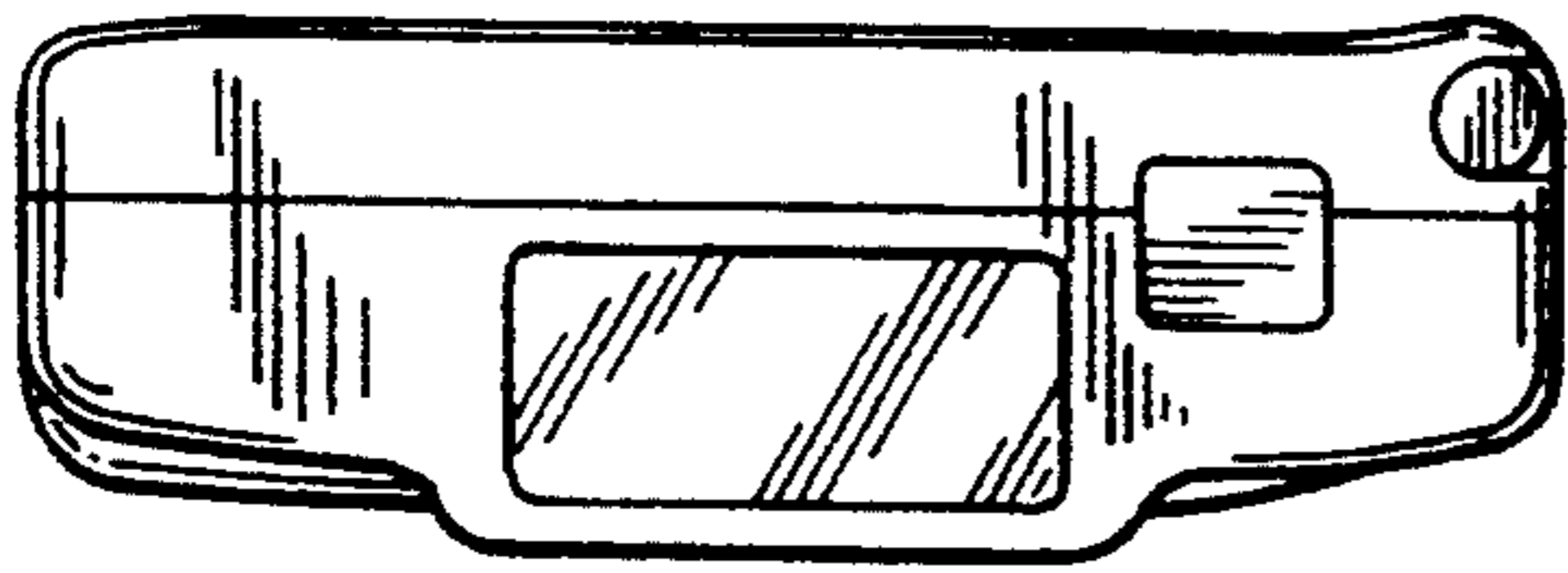


Fig. 4

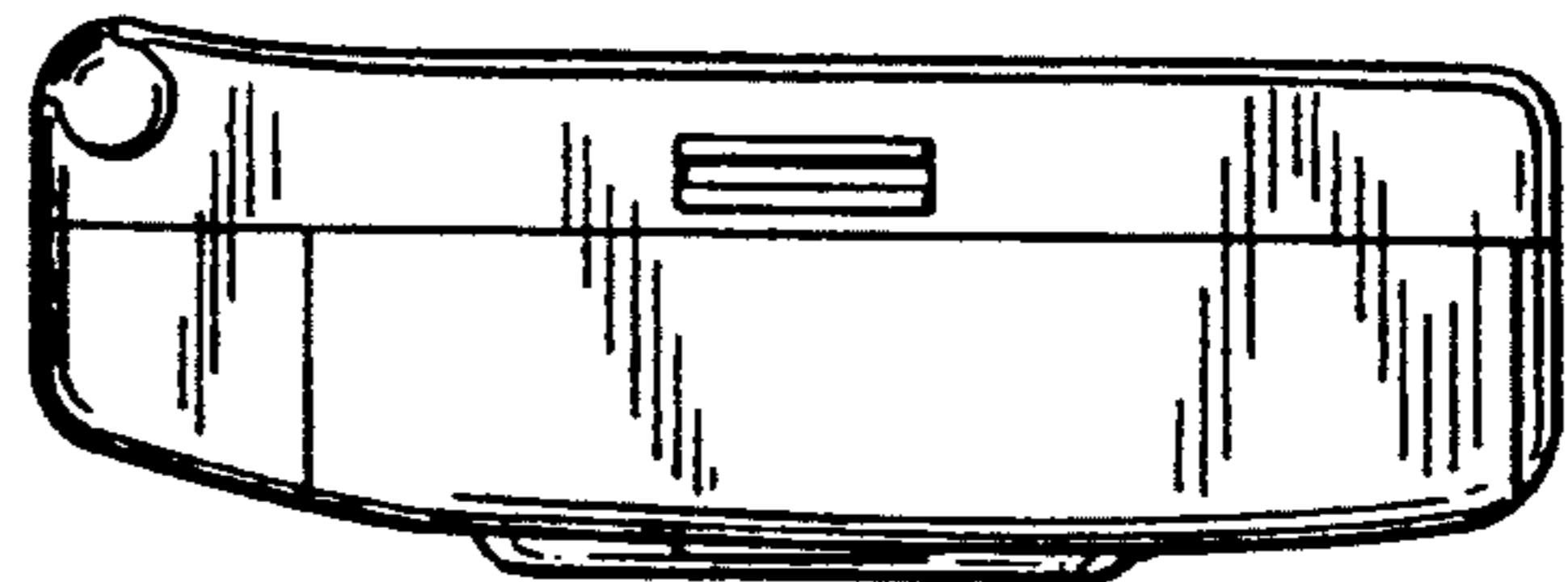


Fig. 5

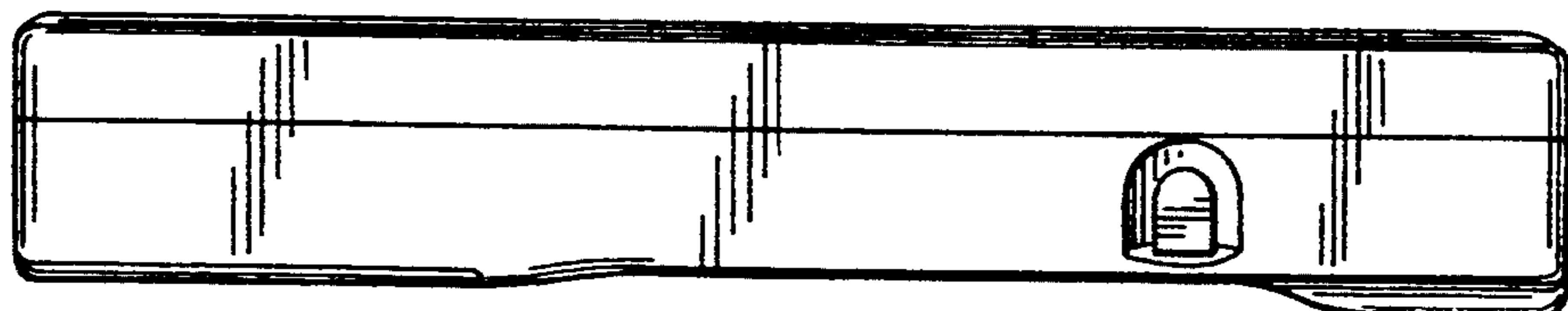


Fig. 6

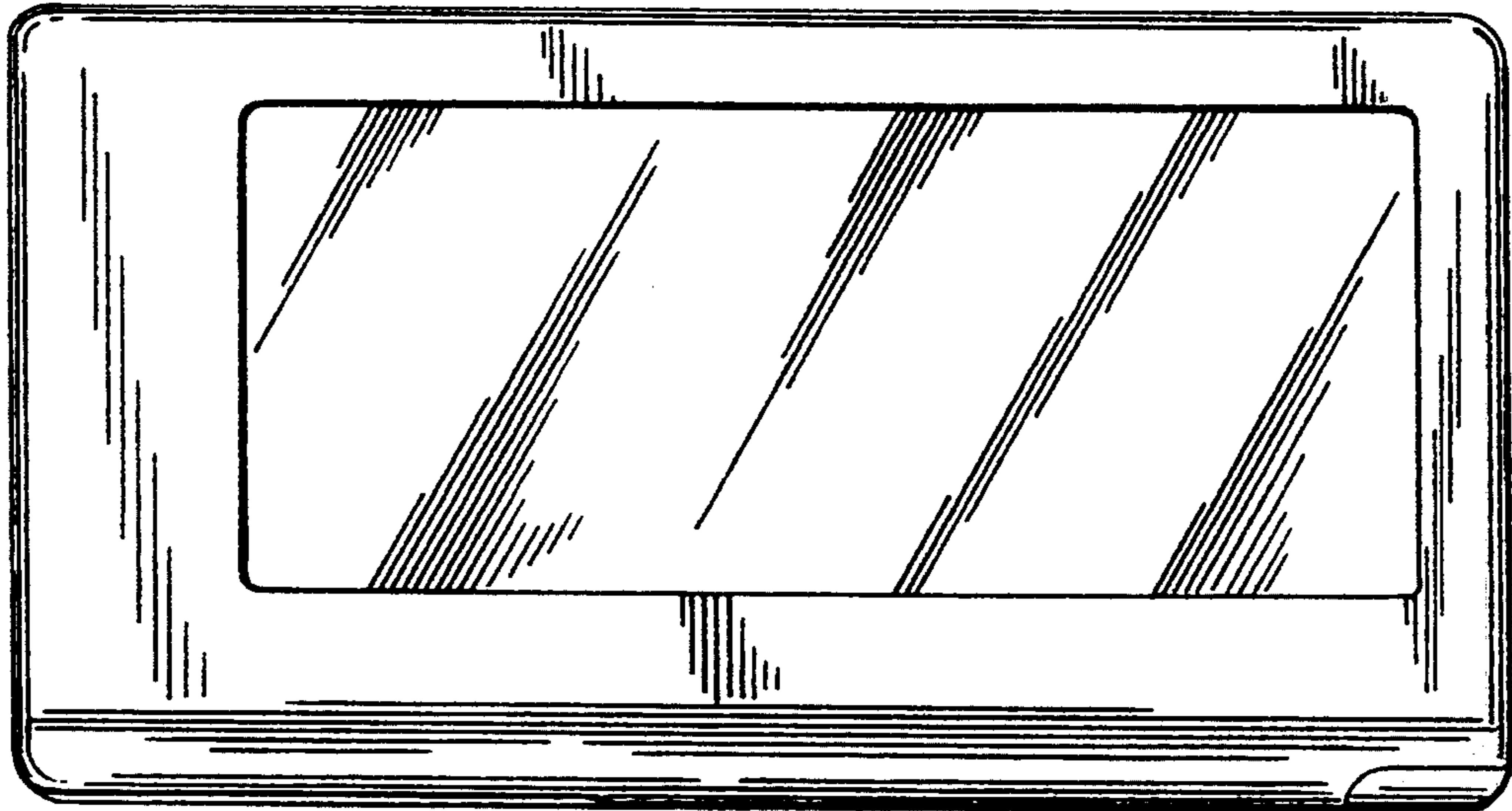


Fig. 7

