



US00D356548S

# United States Patent [19]

[11] Patent Number: Des. 356,548

Bottcher et al.

[45] Date of Patent: \*\* Mar. 21, 1995

[54] **ENCLOSURE OF A HAND HELD COMPUTER**

4,562,478 12/1985 Hirasawa et al. .... D14/126 X

[75] Inventors: **Thomas D. Bottcher**, Boynton Beach;  
**William E. Bratton**, Boca Raton,  
both of Fla.

*Primary Examiner*—Freda S. Nunn  
*Attorney, Agent, or Firm*—Romualdas Stritmaitis

[73] Assignee: **International Business Machines Corp.**, Armonk, N.Y.

[57] **CLAIM**

The ornamental design for an enclosure for a hand held computer, as shown and described.

[\*\*] Term: **14 Years**

**DESCRIPTION**

[21] Appl. No.: **8,966**

FIG. 1 is a front top right perspective view of an enclosure for a hand held computer;

[22] Filed: **May 27, 1993**

FIG. 2 is a front view of an enclosure for a hand held computer;

[52] U.S. Cl. .... **D14/100**

FIG. 3 is a rear view of an enclosure for a hand held computer;

[58] **Field of Search** ..... D14/100, 101, 106, 113,  
D14/124-127; 345/104, 133, 156, 168, 173,  
901-905; 358/249, 254, 255; 248/917-924

FIG. 4 is a right side view of an enclosure for a hand held computer;

[56] **References Cited**

**U.S. PATENT DOCUMENTS**

- D. 306,720 3/1990 Flies ..... D14/113
- D. 311,907 11/1990 Yoshihara ..... D14/106
- D. 317,447 6/1991 Ishida ..... D14/113
- D. 338,656 8/1993 Spayde et al. .... D14/100

FIG. 5 is a left side of an enclosure for a hand held computer;

FIG. 6 is a top view of an enclosure for a hand held computer; and,

FIG. 7 is a bottom view of an enclosure for a hand held computer.

FIGS. 2-7 are drawn on an enlarged scale.

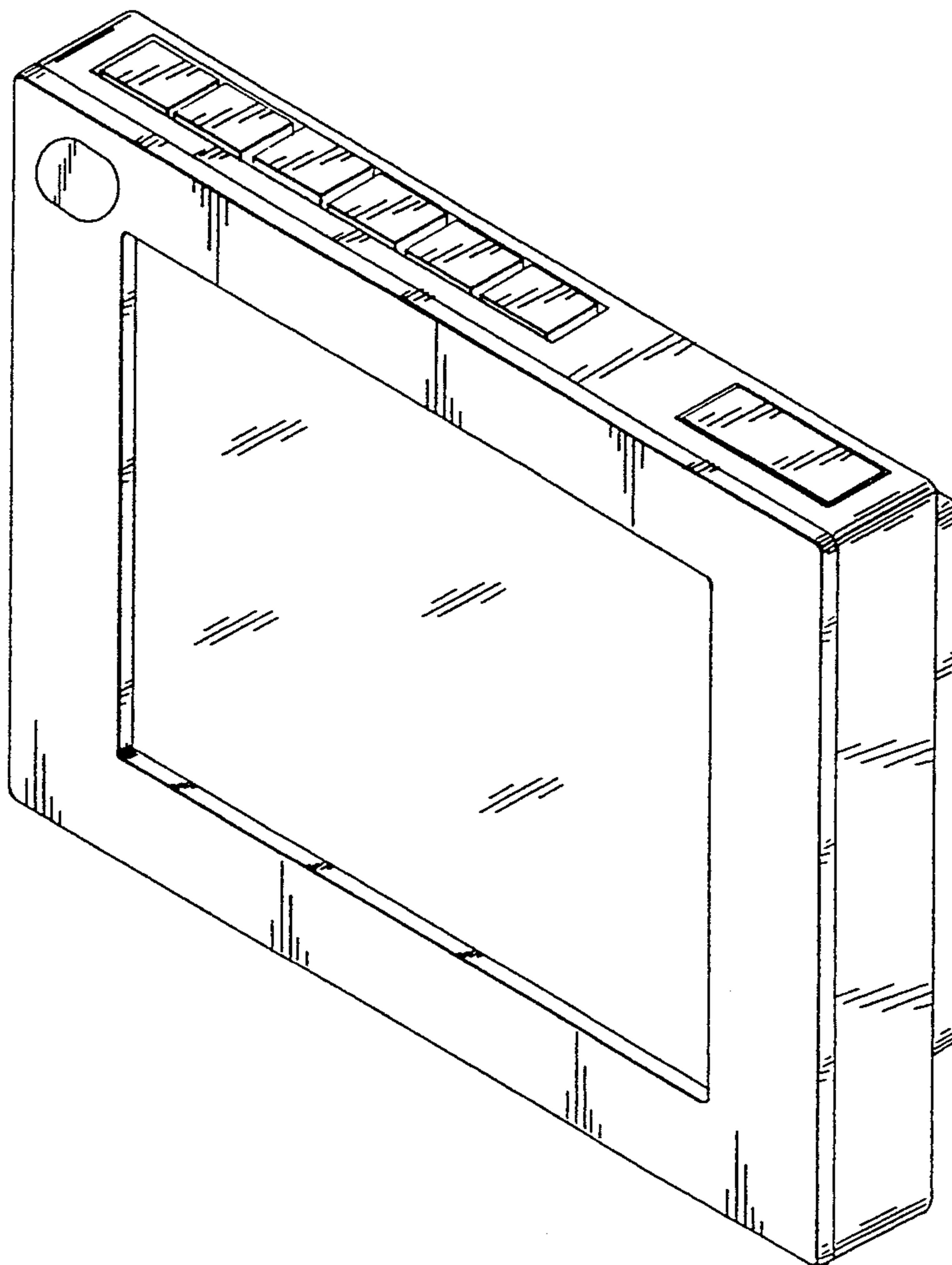


FIG. 1

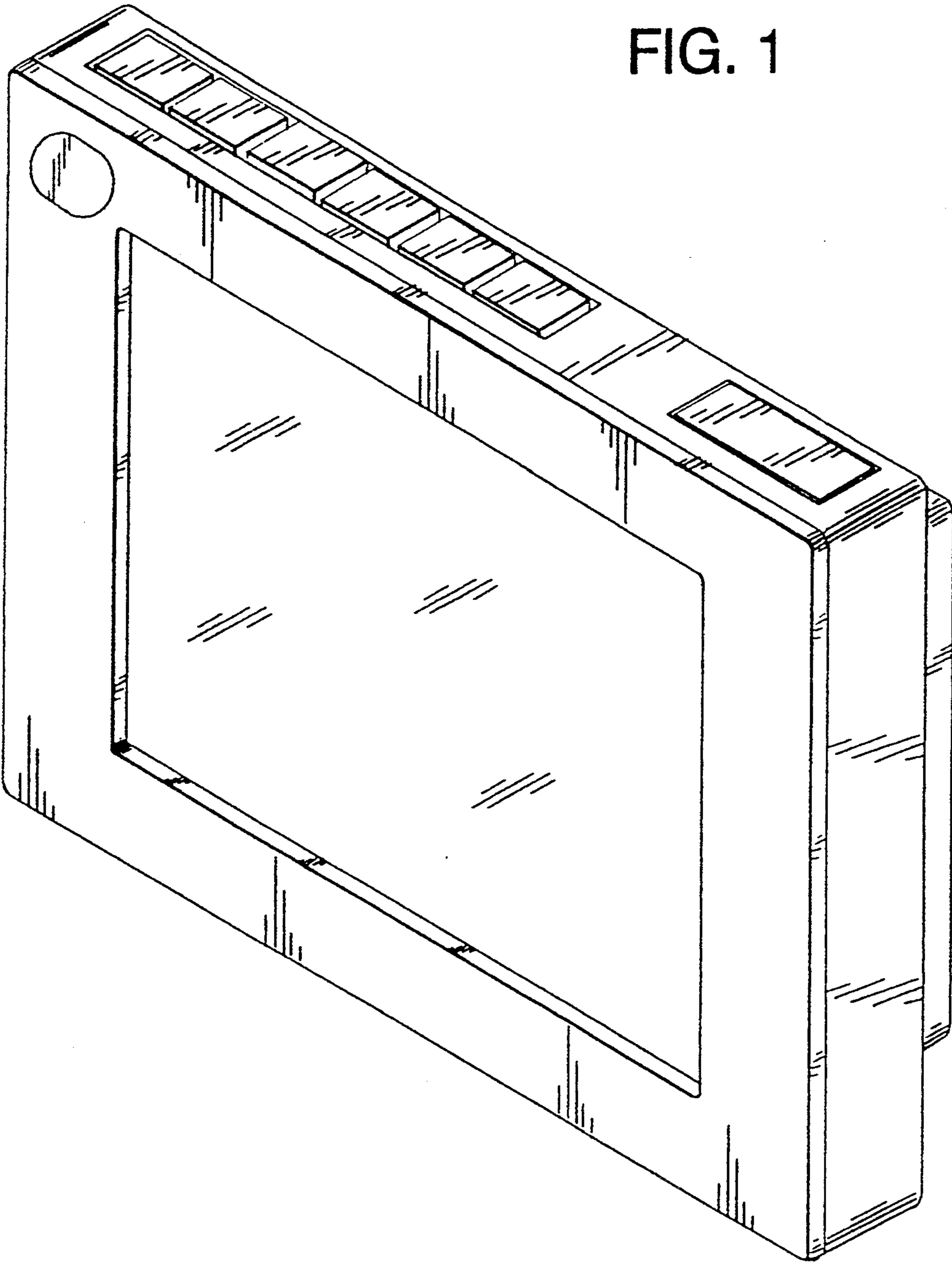


FIG. 2

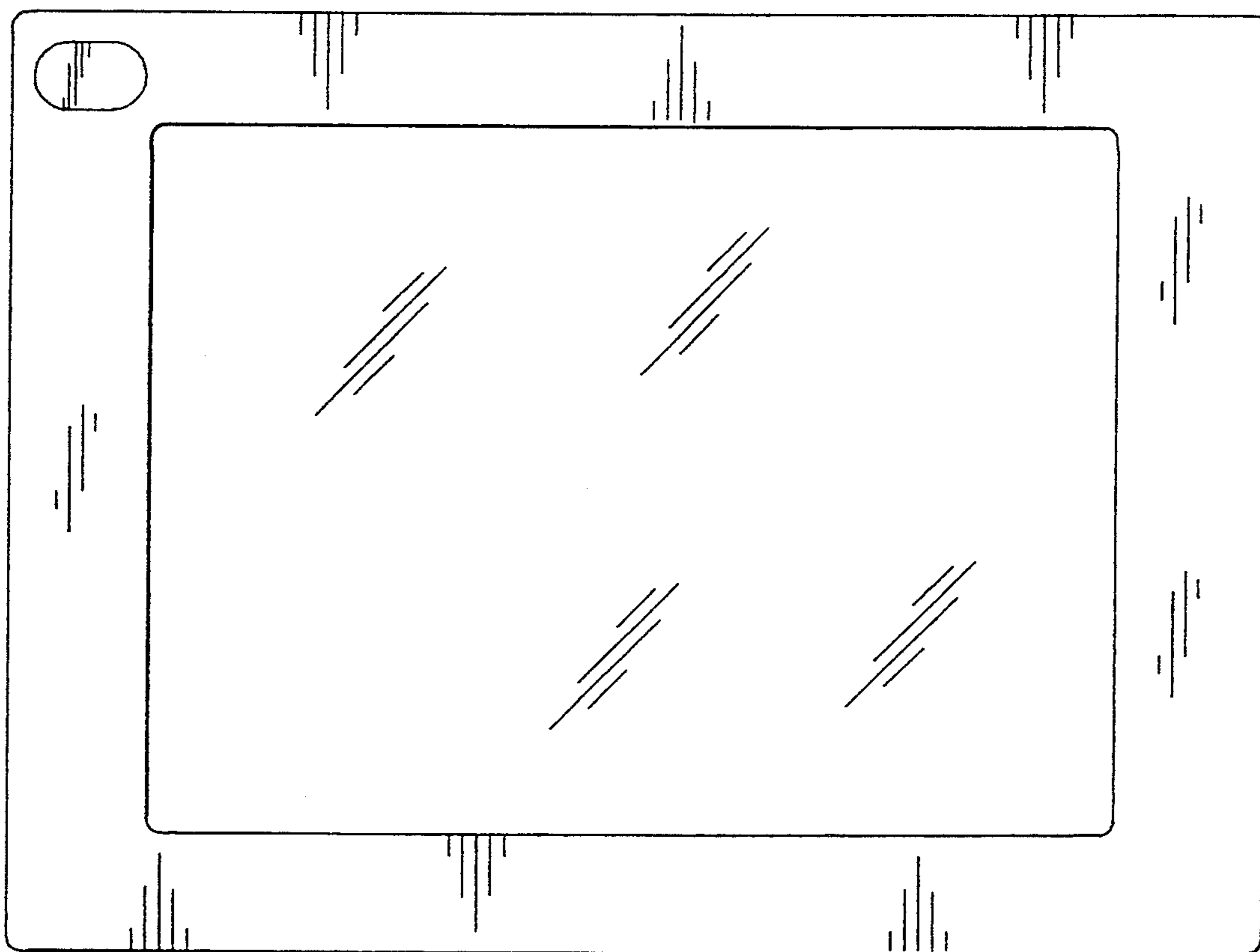


FIG. 3

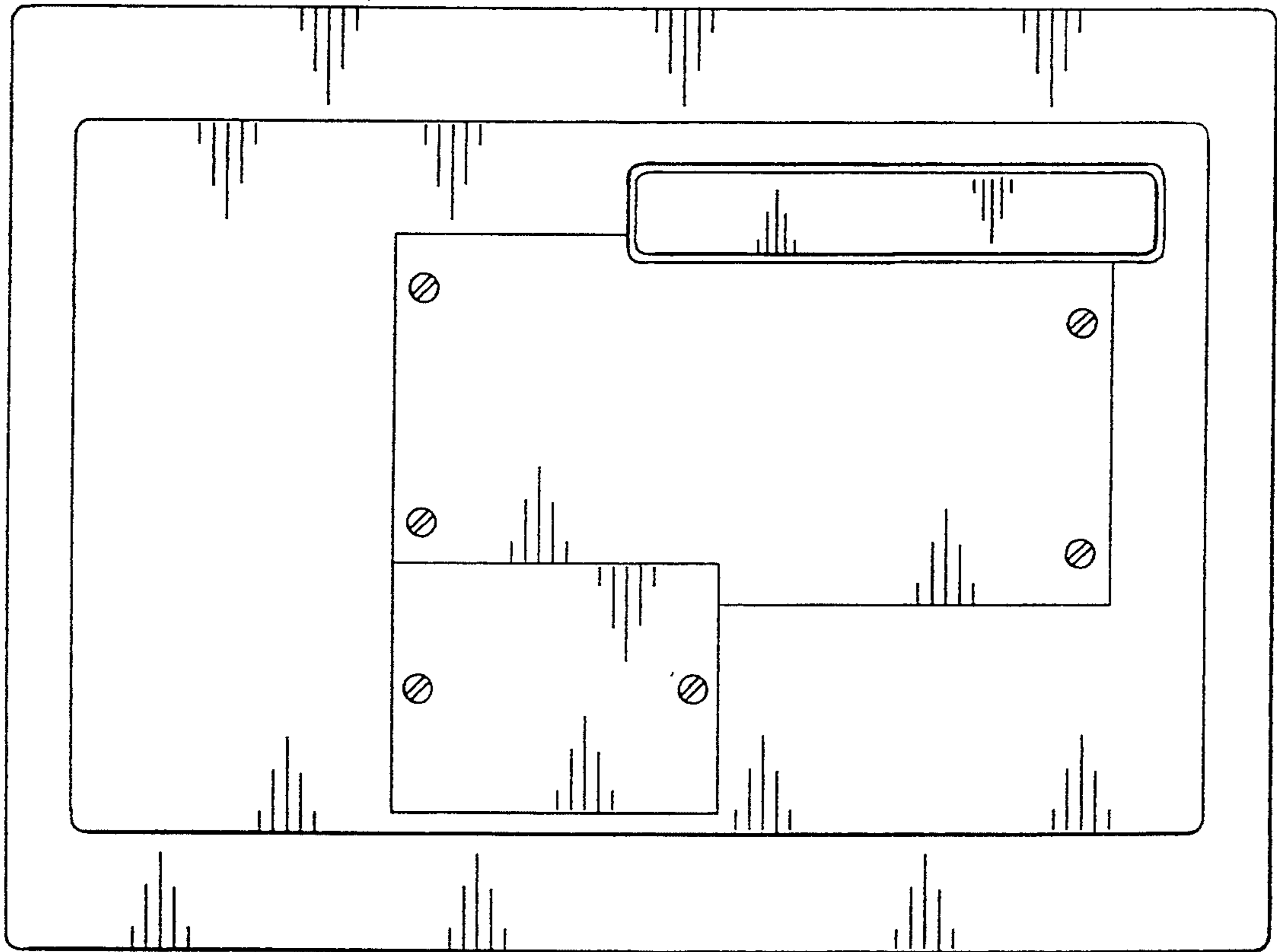


FIG. 4

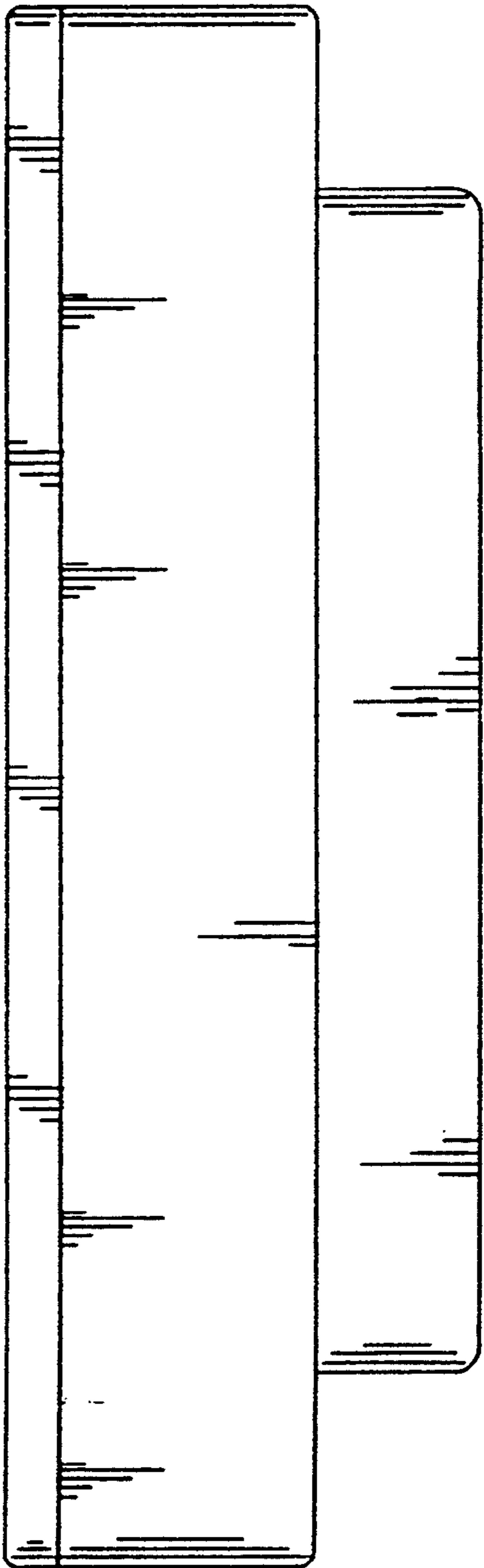


FIG. 5

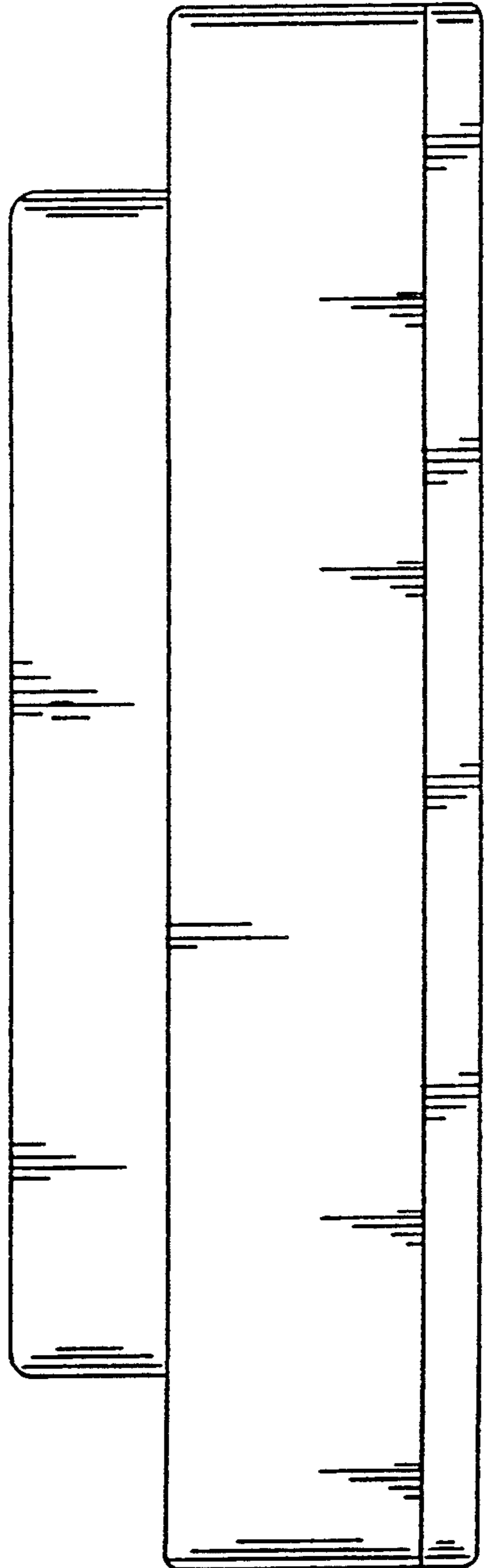


FIG. 6

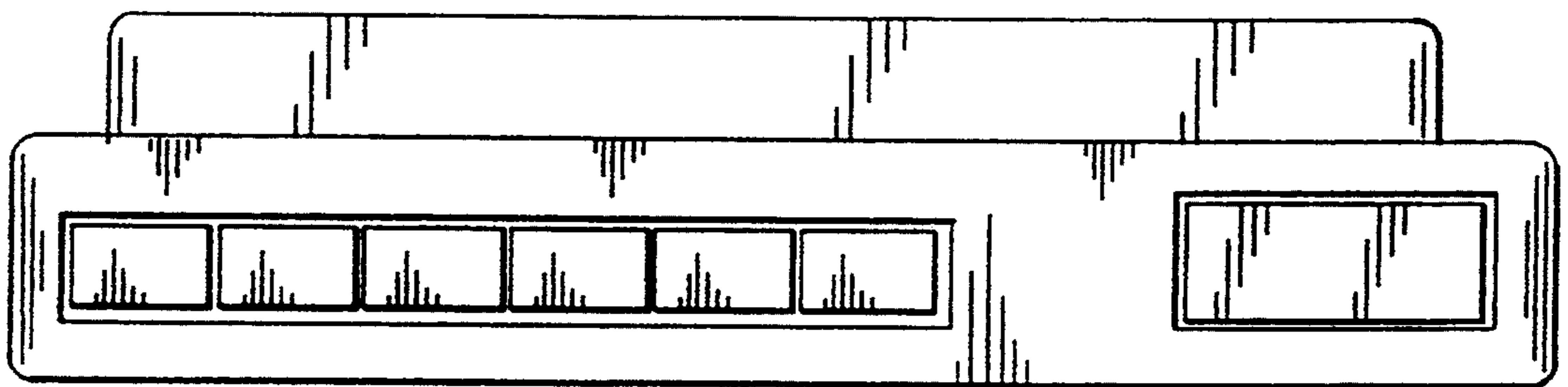


FIG. 7

