



US00D356547S

# United States Patent [19]

[11] Patent Number: **Des. 356,547**

Silva et al.

[45] Date of Patent: **\*\* Mar. 21, 1995**

[54] **HAND HELD COMPUTER**

5,133,076 7/1992 Hawkins et al. .... 395/800  
5,200,913 4/1993 Hawkins et al. .... 364/708

[75] Inventors: **Dennis Silva, San Jose; Ken L. Dulaney, Redwood City; Steven D. Friend, Cupertino, all of Calif.**

**OTHER PUBLICATIONS**

NEC—Oct 26, 1992—Portable Terminal.  
Grid System on “Dempa Shimbun” pen style computer  
Mar. 27, 1989.

[73] Assignee: **AST Research, Inc., Irvine, Calif.**

*Primary Examiner*—Freda S. Nunn  
*Attorney, Agent, or Firm*—Townsend and Townsend  
Khourie and Crew

[\*\*] Term: **14 Years**

[21] Appl. No.: **5,284**

[57] **CLAIM**

The ornamental design for a hand held computer, as shown and described.

[22] Filed: **Mar. 1, 1993**

[52] U.S. Cl. .... **D14/100**

[58] **Field of Search** ..... D14/100, 105, 106, 113,  
D14/115; D19/59, 60, 26, 52; 345/168, 169,  
172, 173; 361/679–683; 364/708.1, 709.04,  
709.09; 382/13; 395/800

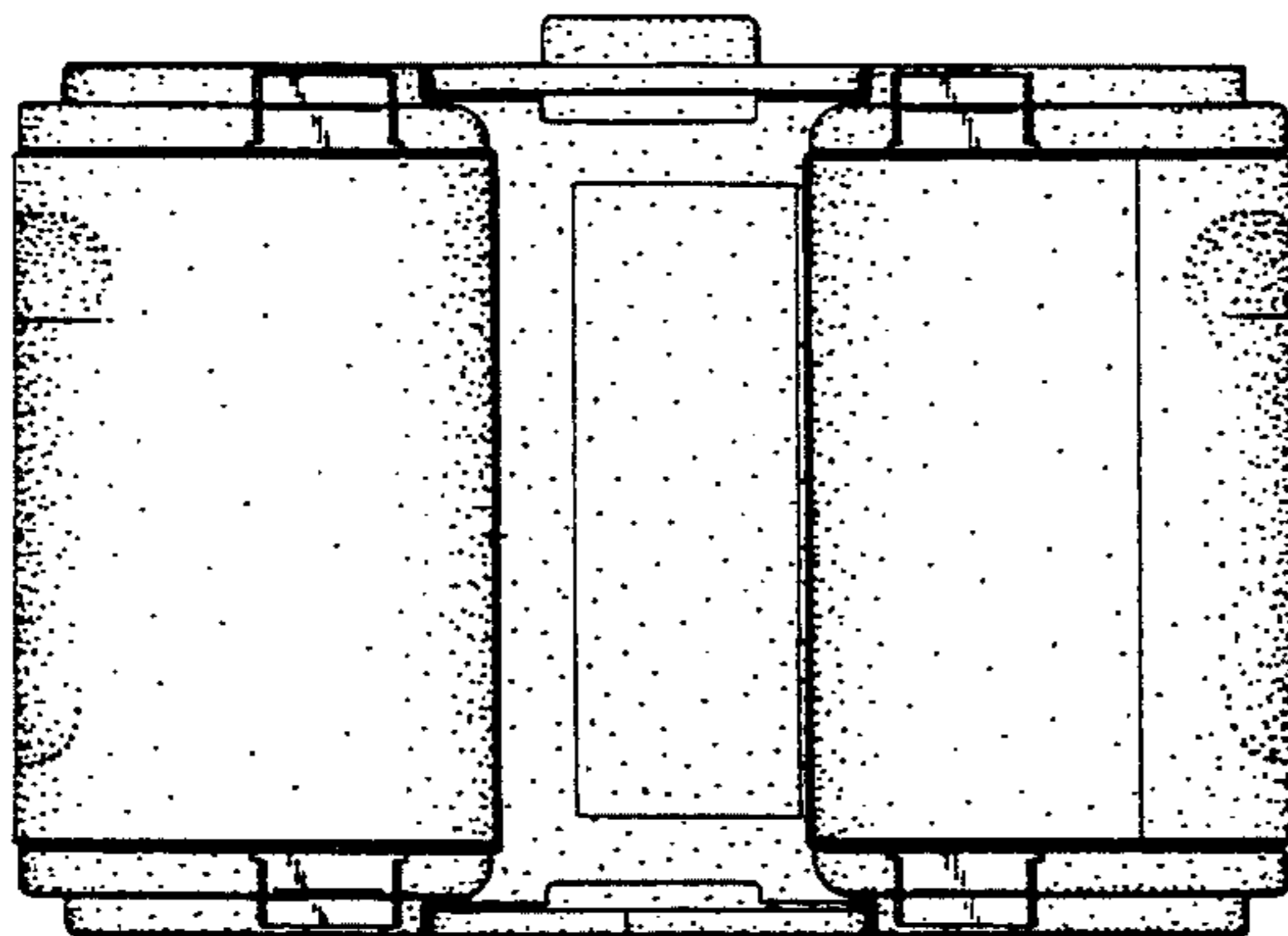
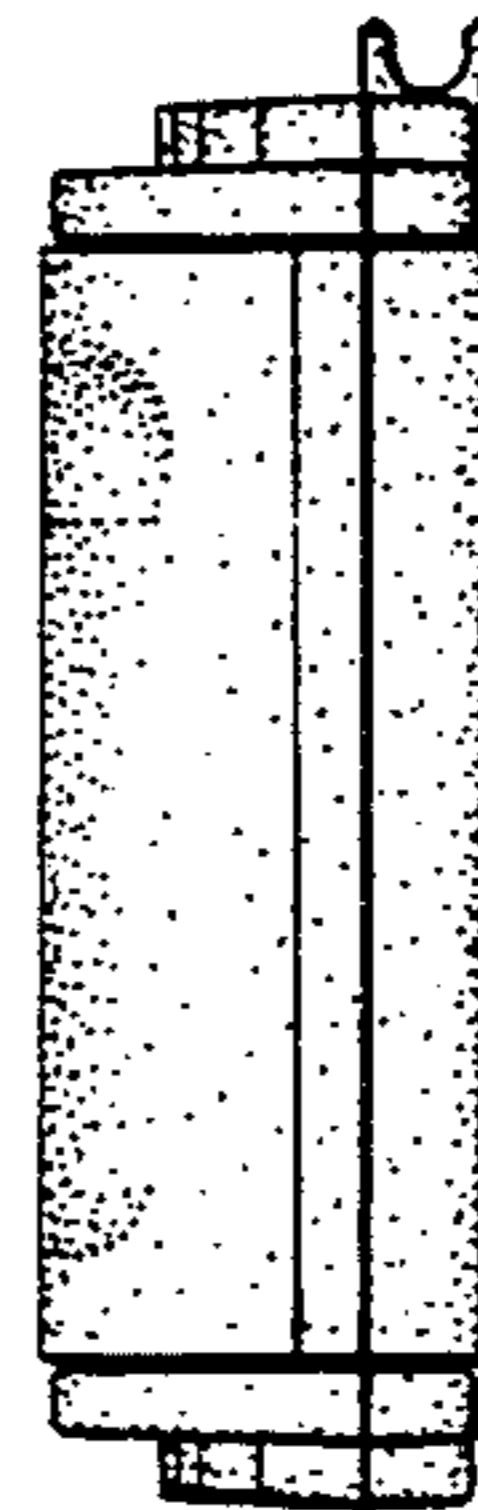
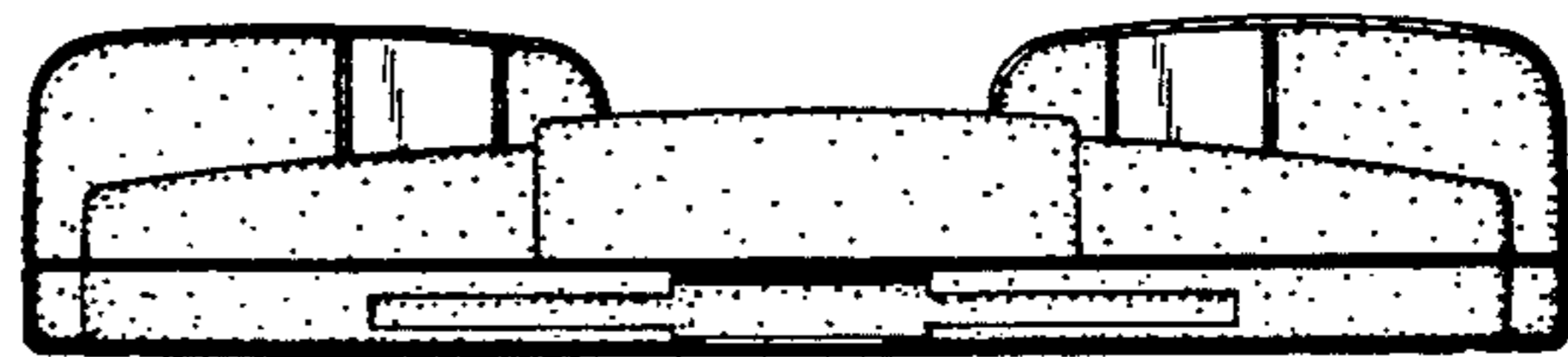
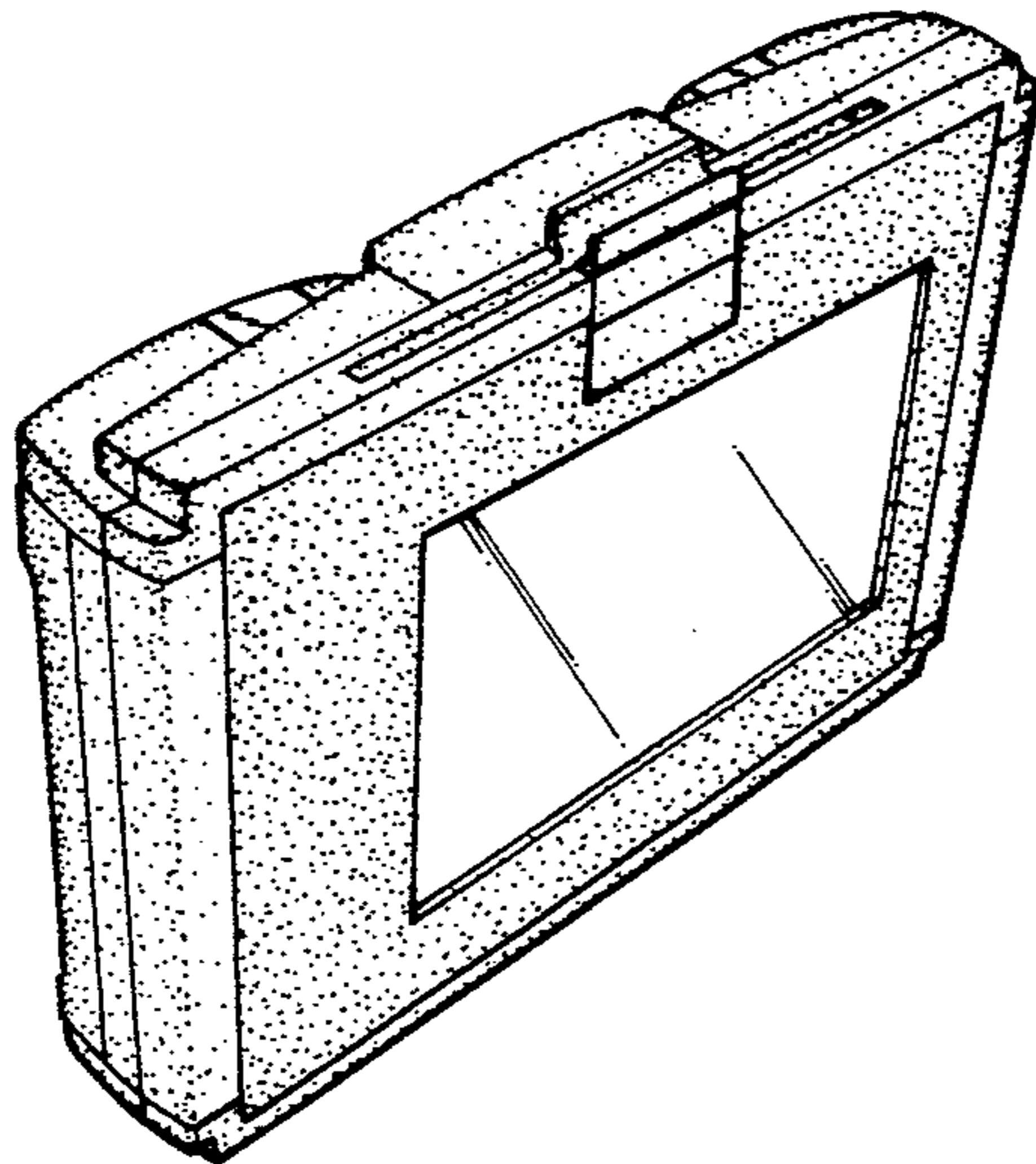
**DESCRIPTION**

[56] **References Cited**

**U.S. PATENT DOCUMENTS**

D. 317,151	5/1991	Daly	.....	D14/100
D. 317,910	7/1991	Hawkins et al.	.....	D14/100
D. 318,858	8/1991	Daly et al.	.....	D14/100
D. 319,433	8/1991	Pearce	.....	D14/100
D. 322,165	12/1991	Lloyd	.....	D3/35
D. 323,155	1/1992	Hino et al.	.....	D14/100
D. 334,180	3/1993	Tedham et al.	.....	D14/100
4,972,496	11/1990	Sklarew	.....	382/13

FIG. 1 is a top perspective view of a hand held computer showing our new design;  
FIG. 2 is a top plan view thereof;  
FIG. 3 is a front elevational view thereof;  
FIG. 4 is a right side elevational view thereof;  
FIG. 5 is a left side elevational view thereof;  
FIG. 6 is a rear elevational view thereof; and,  
FIG. 7 is a bottom plan view thereof.  
FIG. 8 is a front elevational view of a second embodiment thereof wherein the only difference is in the display window.



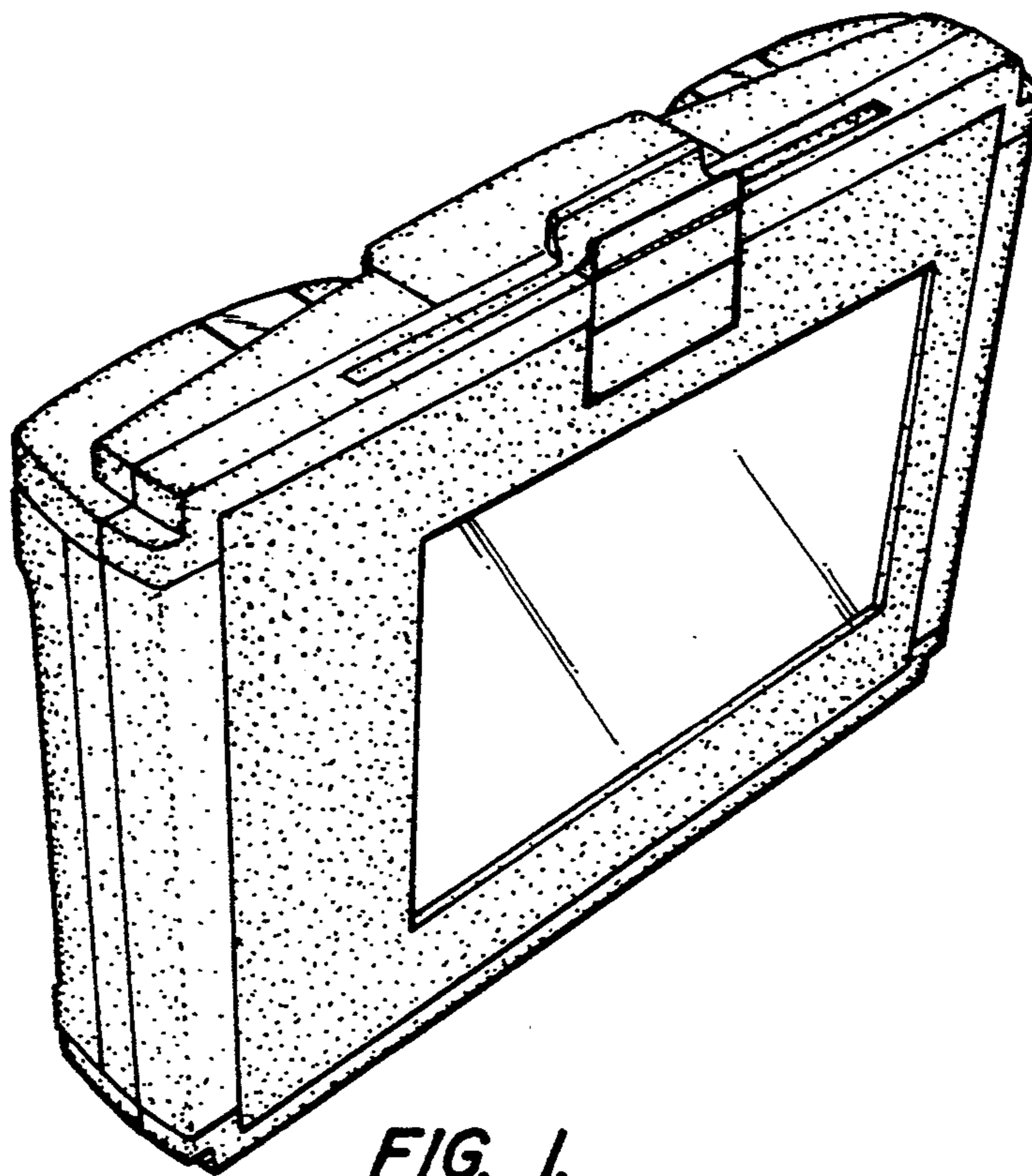


FIG. 1.

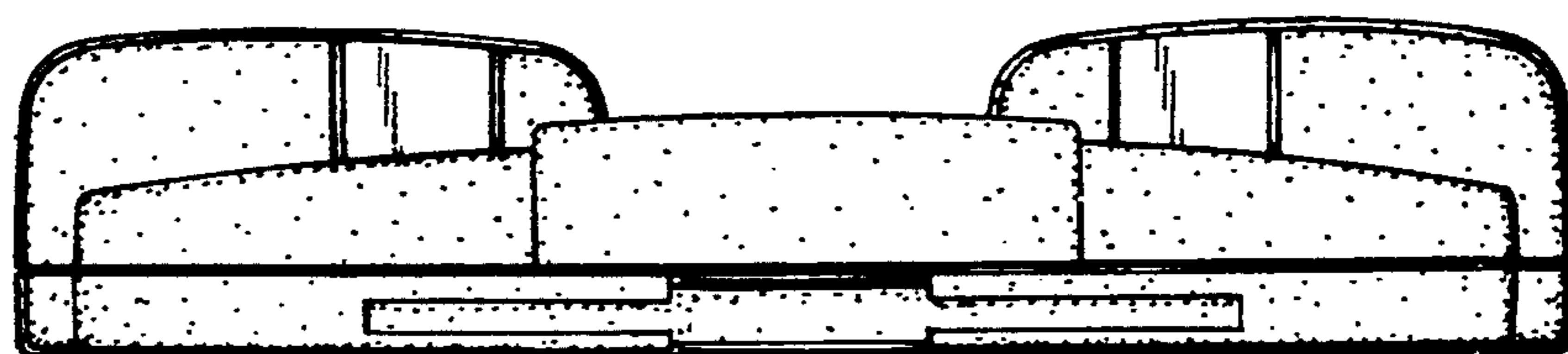


FIG. 2.

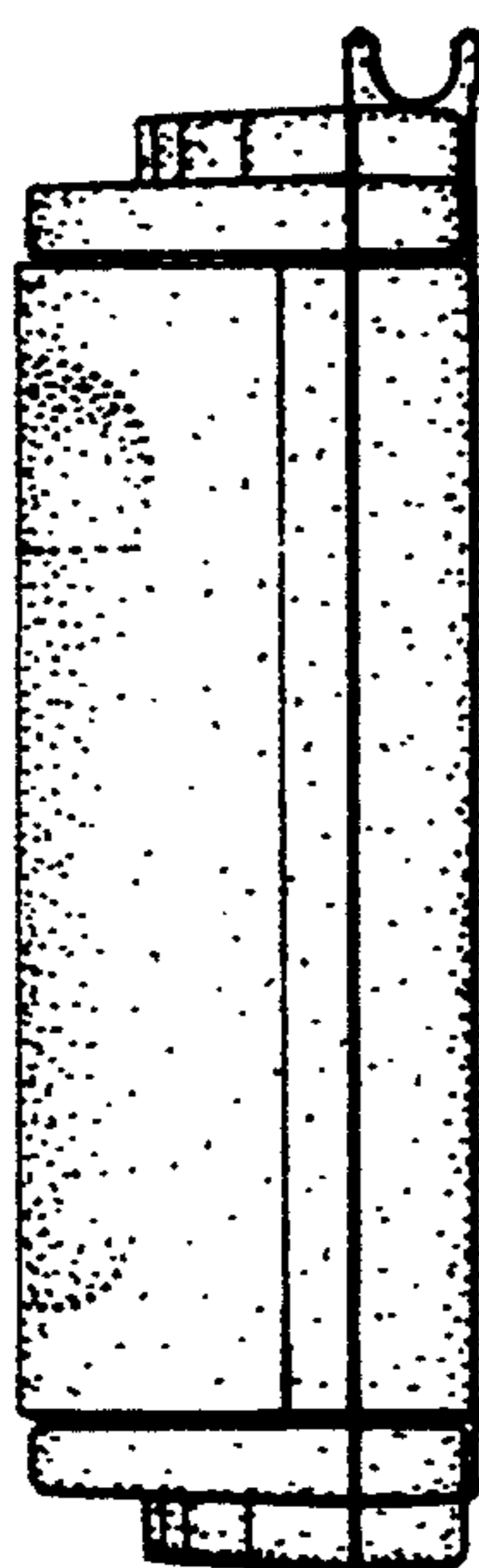


FIG. 4.

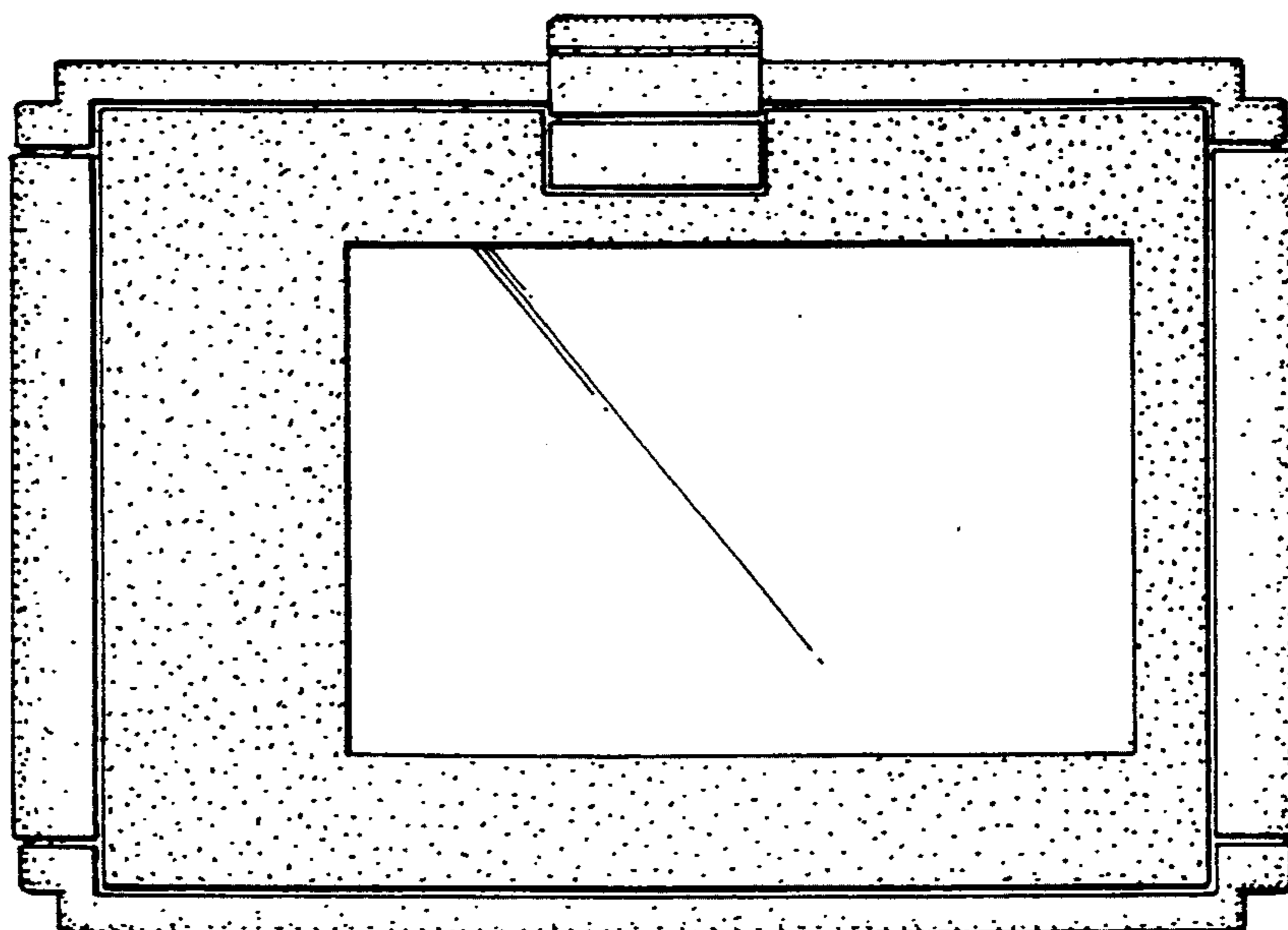


FIG. 3.

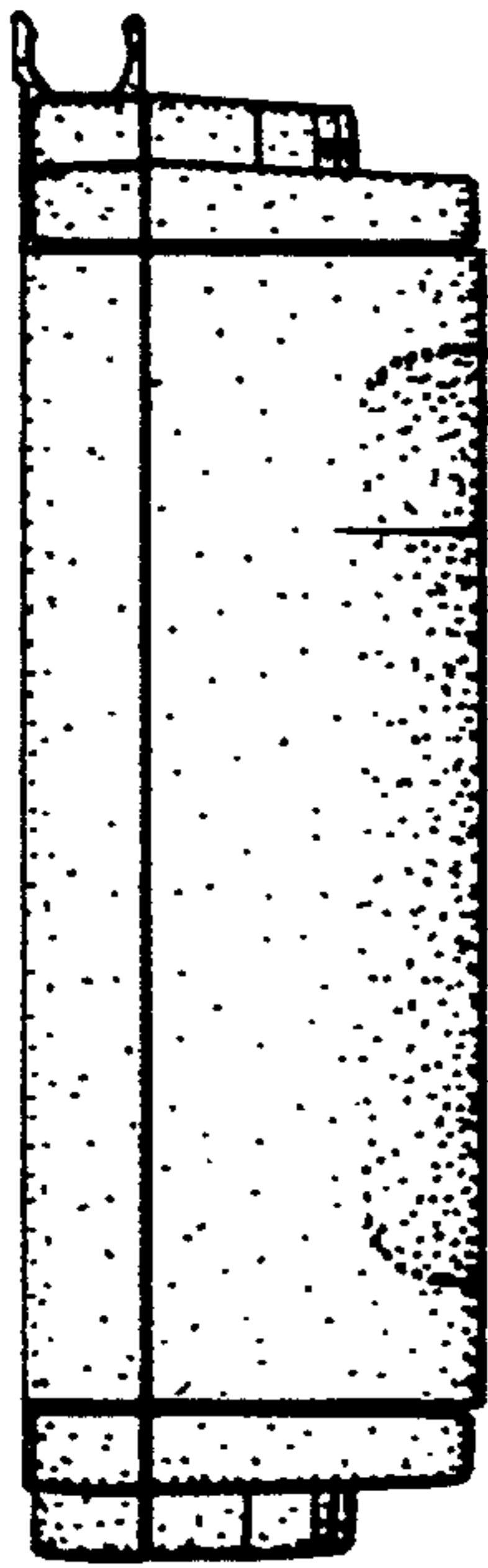


FIG. 5.

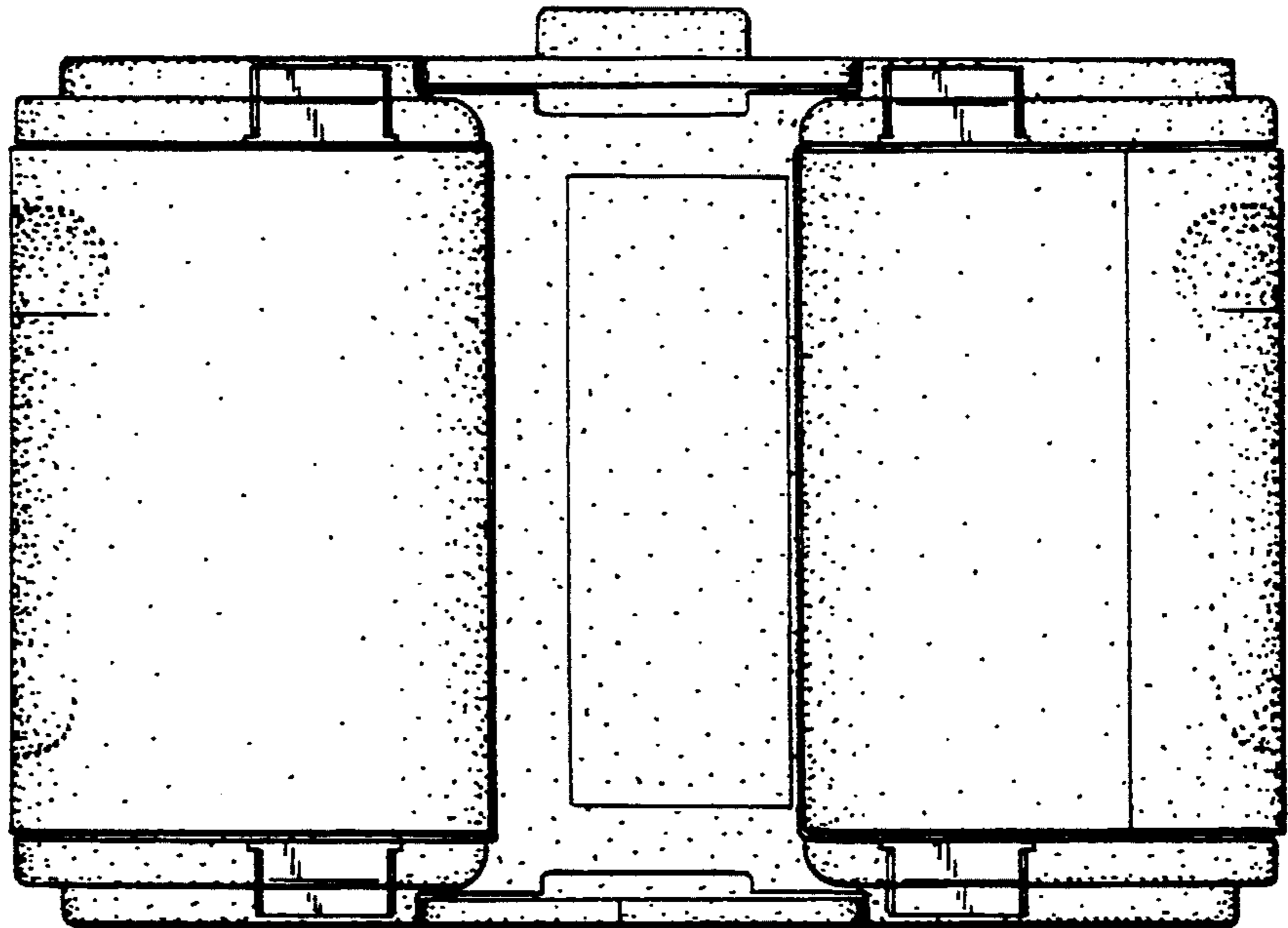


FIG. 6.

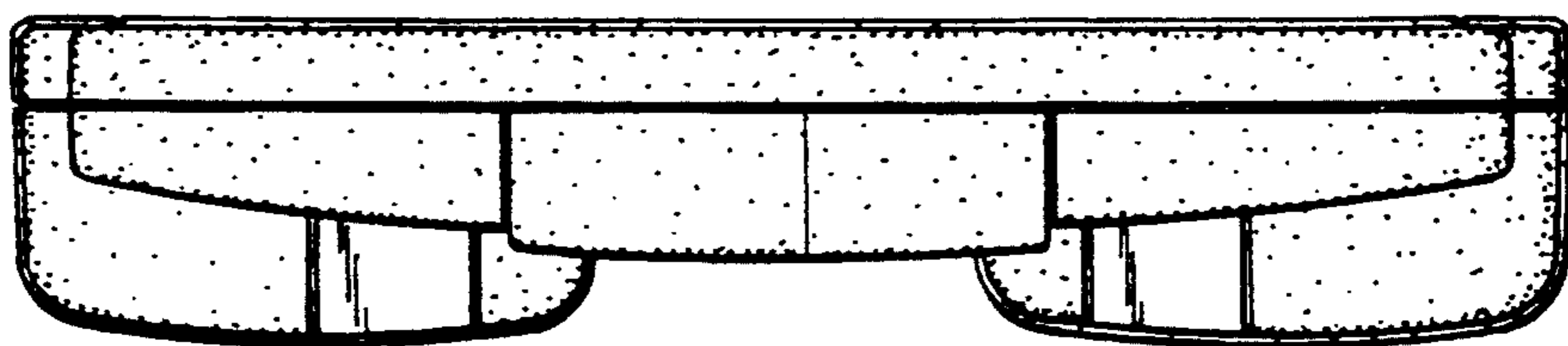
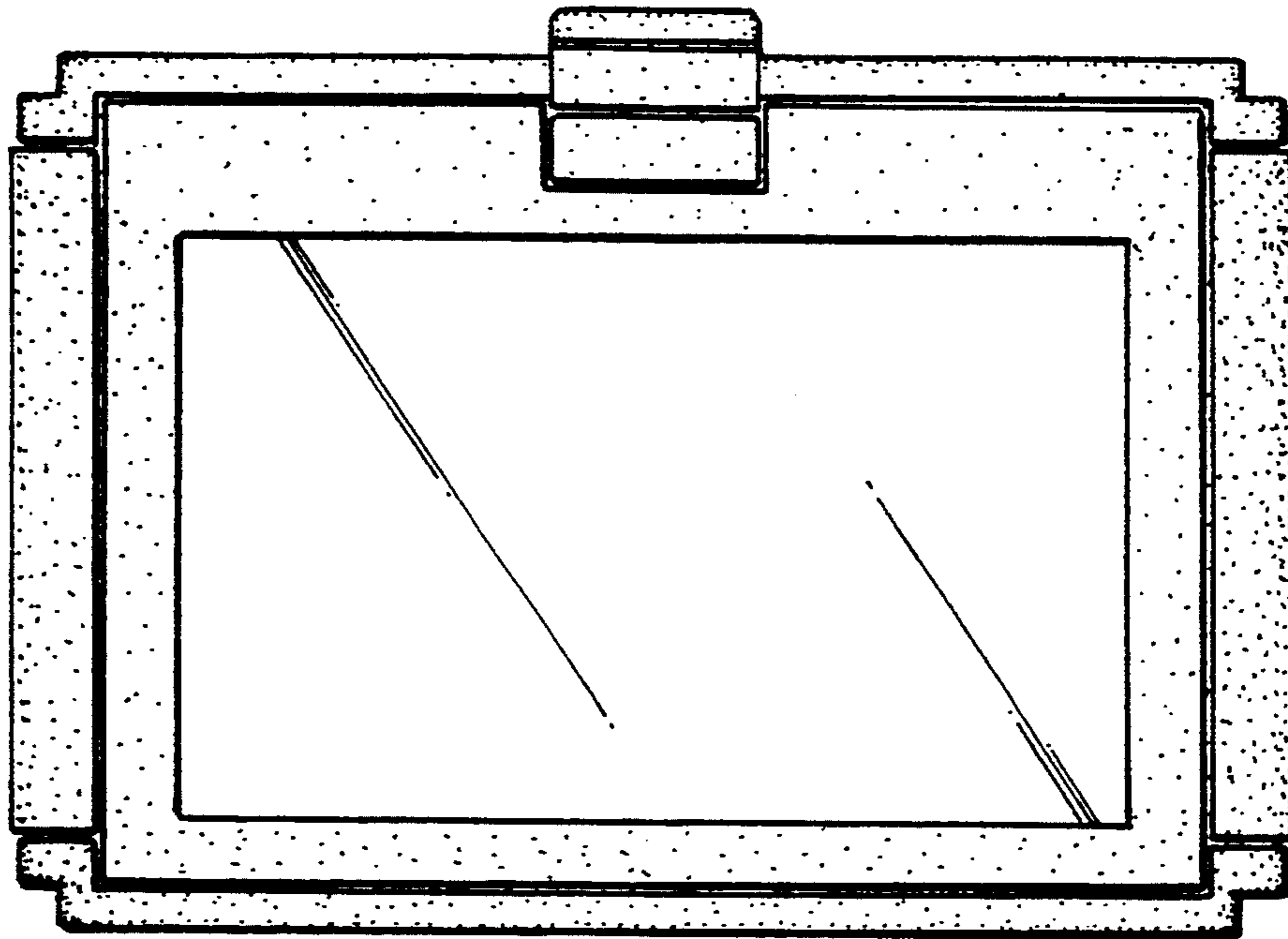


FIG. 7.



**FIG. 8.**