



US00D356544S

# United States Patent [19]

[11] Patent Number: **Des. 356,544**

**Fladung**

[45] Date of Patent: **\*\* Mar. 21, 1995**

## [54] ELECTRICAL OUTLET STRIP

## DESCRIPTION

[75] Inventor: **Philip E. Fladung, Carmel, Ind.**

FIG. 1 is a top perspective view of an electrical outlet strip;

[73] Assignee: **Woods Industries, Inc., Carmel, Ind.**

FIG. 2 is a top view of the electrical outlet strip of FIG. 1;

[\*\*] Term: **14 Years**

FIG. 3 is a right side view of the electrical outlet strip of FIG. 1;

[21] Appl. No.: **15,466**

FIG. 4 is a left side view of the electrical outlet strip of FIG. 1;

[22] Filed: **Nov. 17, 1993**

FIG. 5 is a rear view of the electrical outlet strip of FIG. 1;

[52] U.S. Cl. .... **D13/142**

FIG. 6 is a front view of the electrical outlet strip of FIG. 1;

[58] Field of Search ..... **D13/142, 143, 160; 439/502, 650, 651, 652**

FIG. 7 is a bottom view of the electrical outlet strip of FIG. 1;

## [56] References Cited

FIG. 8 is a top perspective view of a second embodiment of an electrical outlet strip;

### U.S. PATENT DOCUMENTS

FIG. 9 is a top view of the electrical outlet strip of FIG. 8, the bottom view being the same as that of the first embodiment;

D. 270,629	9/1983	Drew	.....	D13/143
D. 285,065	8/1986	Bobrovniczky	.....	D13/143
D. 285,435	9/1986	Hoehne	.....	D13/142
D. 290,835	7/1987	Lovett et al.	.....	D13/142
D. 300,922	5/1989	Schwartz	.....	D13/142 X
D. 306,012	2/1990	Oesterheld	.....	D13/143
D. 319,213	8/1991	Wiand	.....	D13/142
4,830,626	5/1989	Liu	.....	439/650 X
4,897,049	1/1990	Miller et al.	.....	439/652 X
4,979,907	12/1990	Lee	.....	439/652 X

FIG. 10 is a right side view of the electrical outlet strip of FIG. 8;

### OTHER PUBLICATIONS

Inmac Advertisement dated 1987.

FIG. 11 is a left side view of the electrical outlet strip of FIG. 8;

*Primary Examiner*—Joel Sincavage  
*Attorney, Agent, or Firm*—McAndrews, Held & Malloy, Ltd.

FIG. 12 is a rear view of the electrical outlet strip of FIG. 8;

FIG. 13 is a front view of the electrical outlet strip of FIG. 8;

## [57] CLAIM

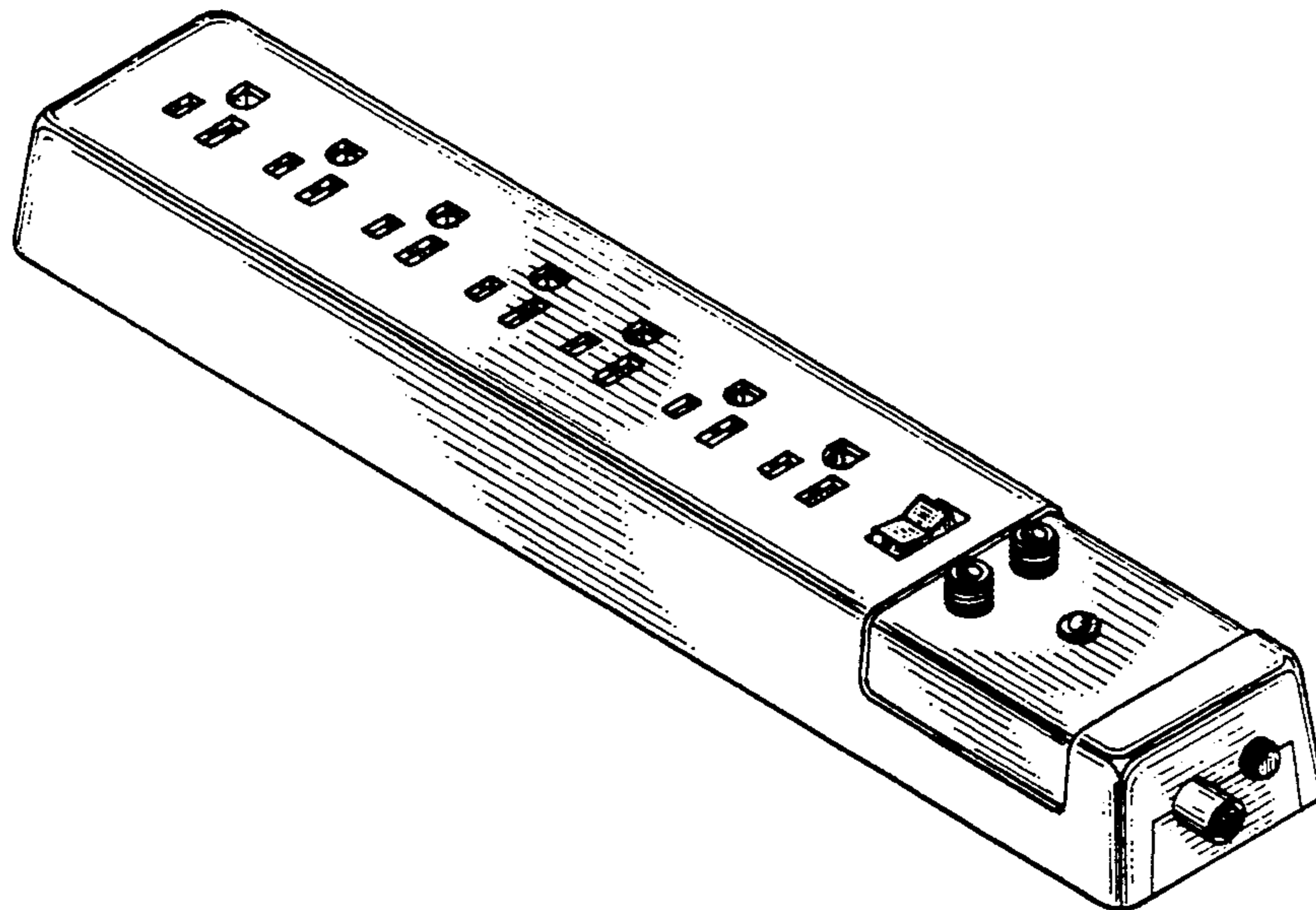
The ornamental design for the electrical outlet strip, as shown and described.

FIG. 14 is a top perspective view of a third embodiment of an electrical outlet strip;

FIG. 15 is a top view of the electrical outlet strip of FIG. 14, all other plan and elevation views being the same as that of the first embodiment except for the coaxial connectors;

FIG. 16 is a top perspective view of a fourth embodiment of an electrical outlet strip; and,

FIG. 17 is a top view of the electrical outlet strip of FIG. 15, all other plan and elevation views being the same as that of the first embodiment except for the circular array of perforations.



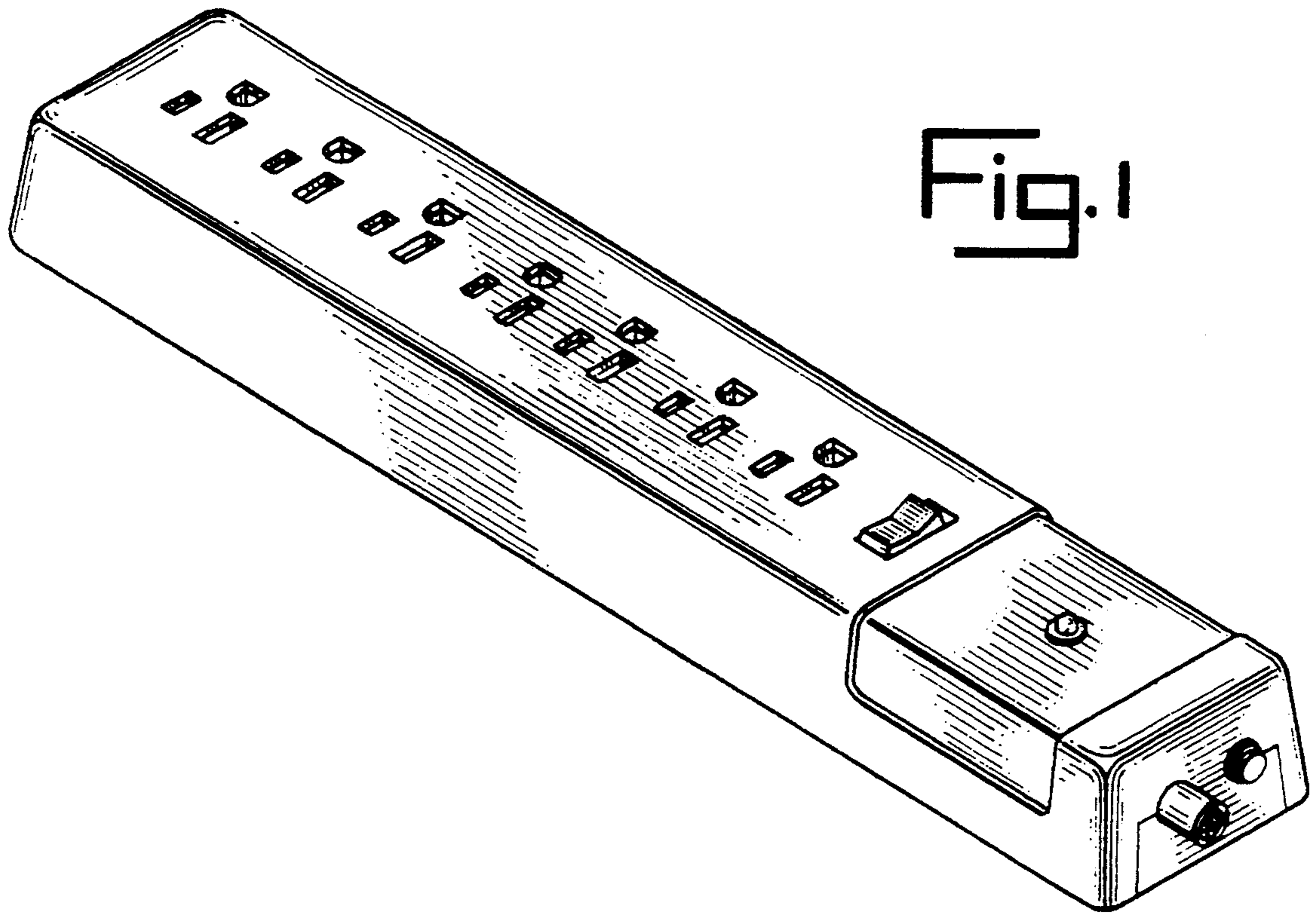


Fig. 1

Fig. 2

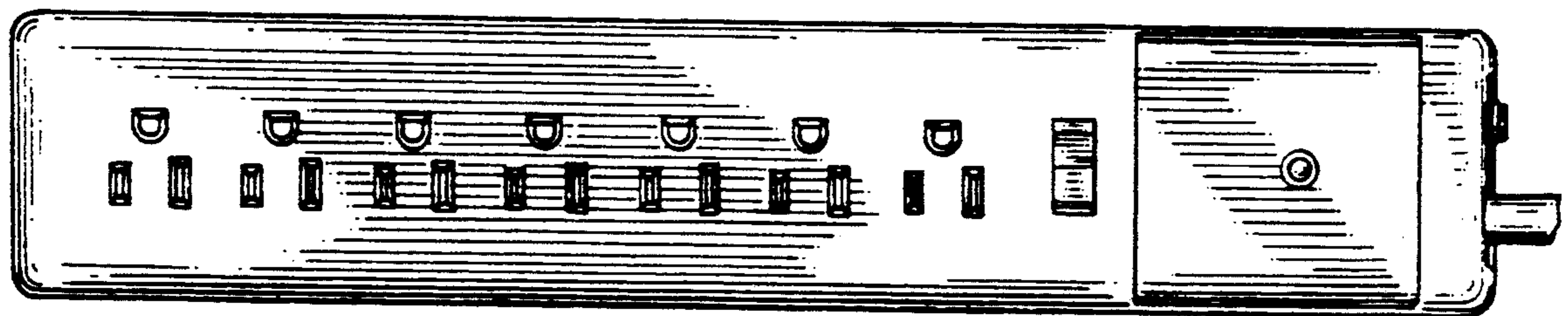


Fig. 3

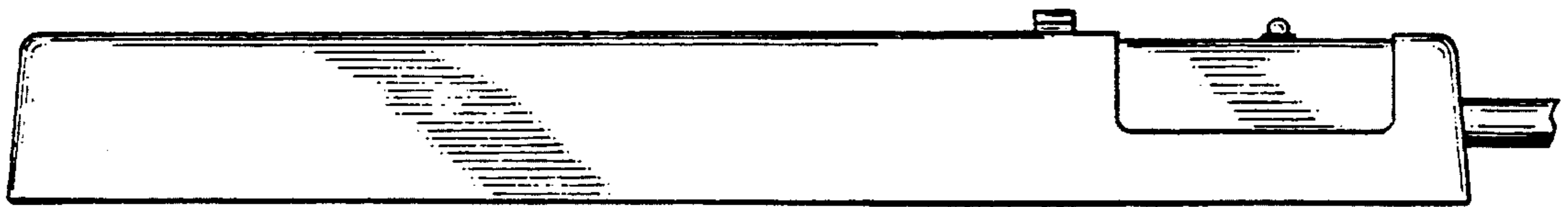


Fig. 4



Fig. 5

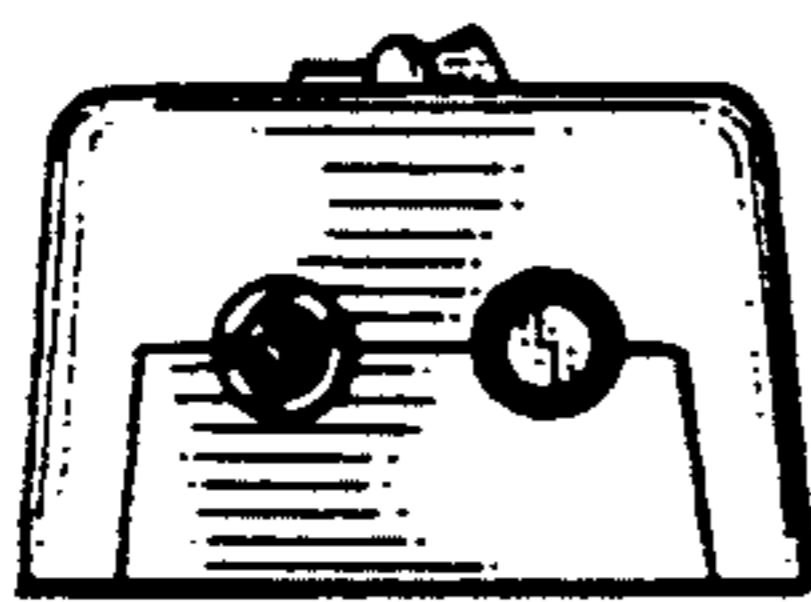


Fig. 6

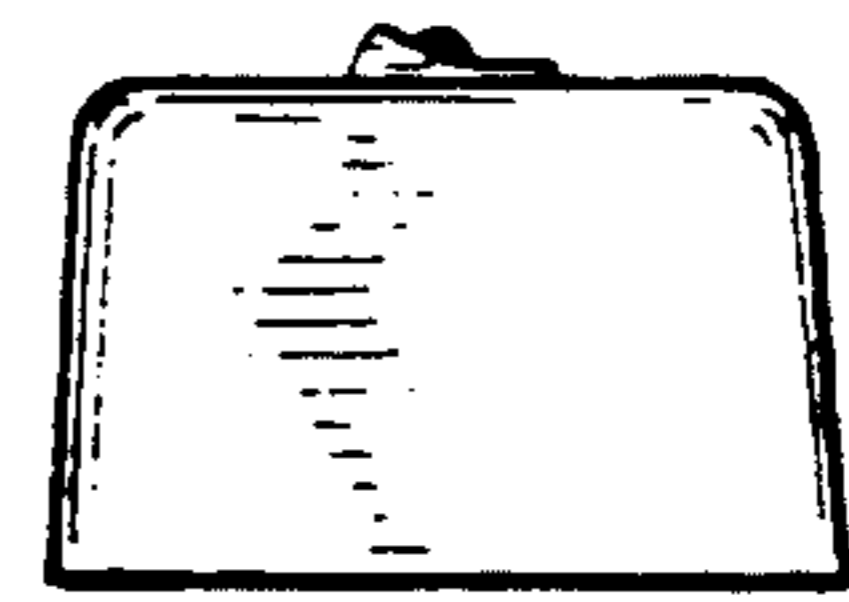
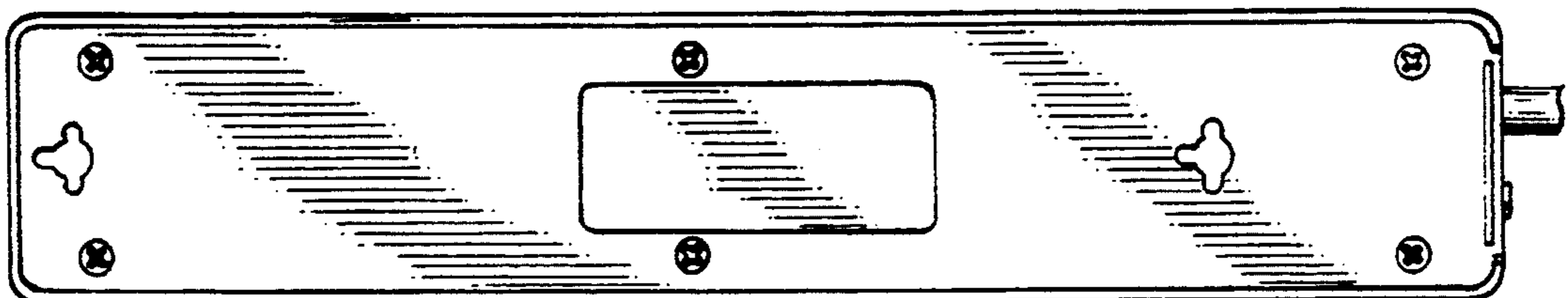


Fig. 7





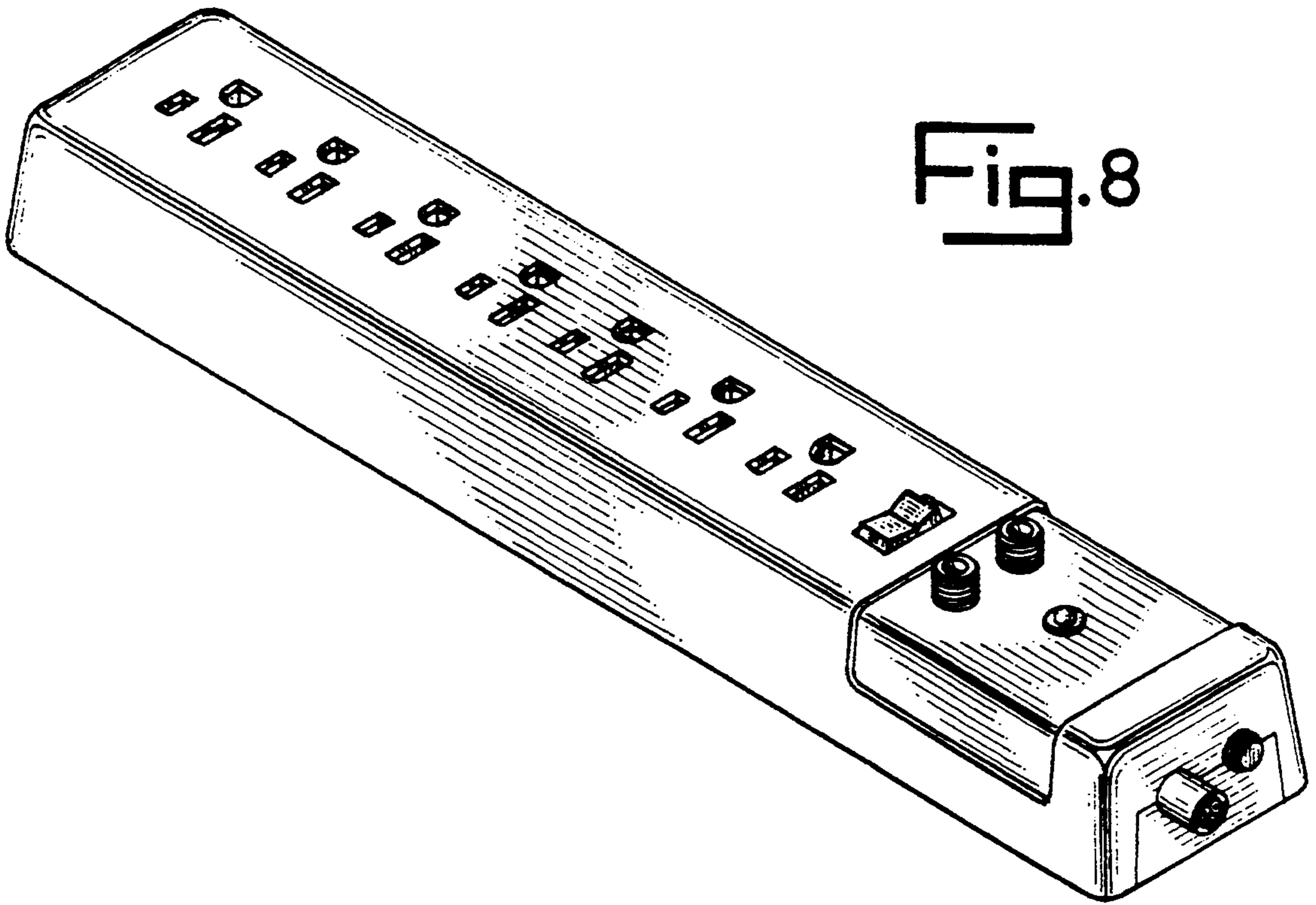


Fig. 8

Fig. 9

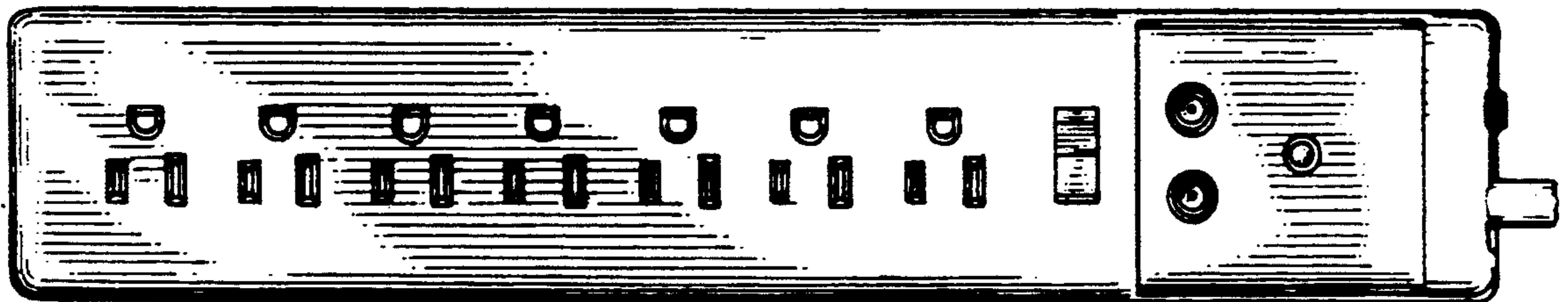


Fig. 10

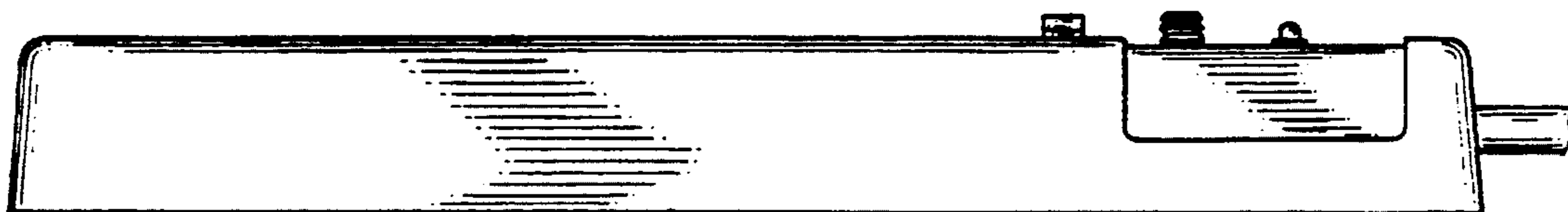


Fig. 11

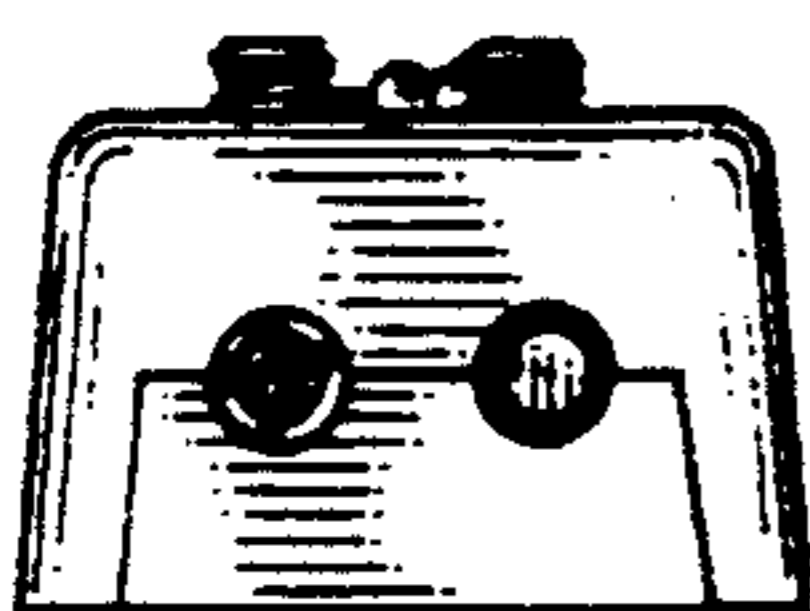


Fig. 12



Fig. 13

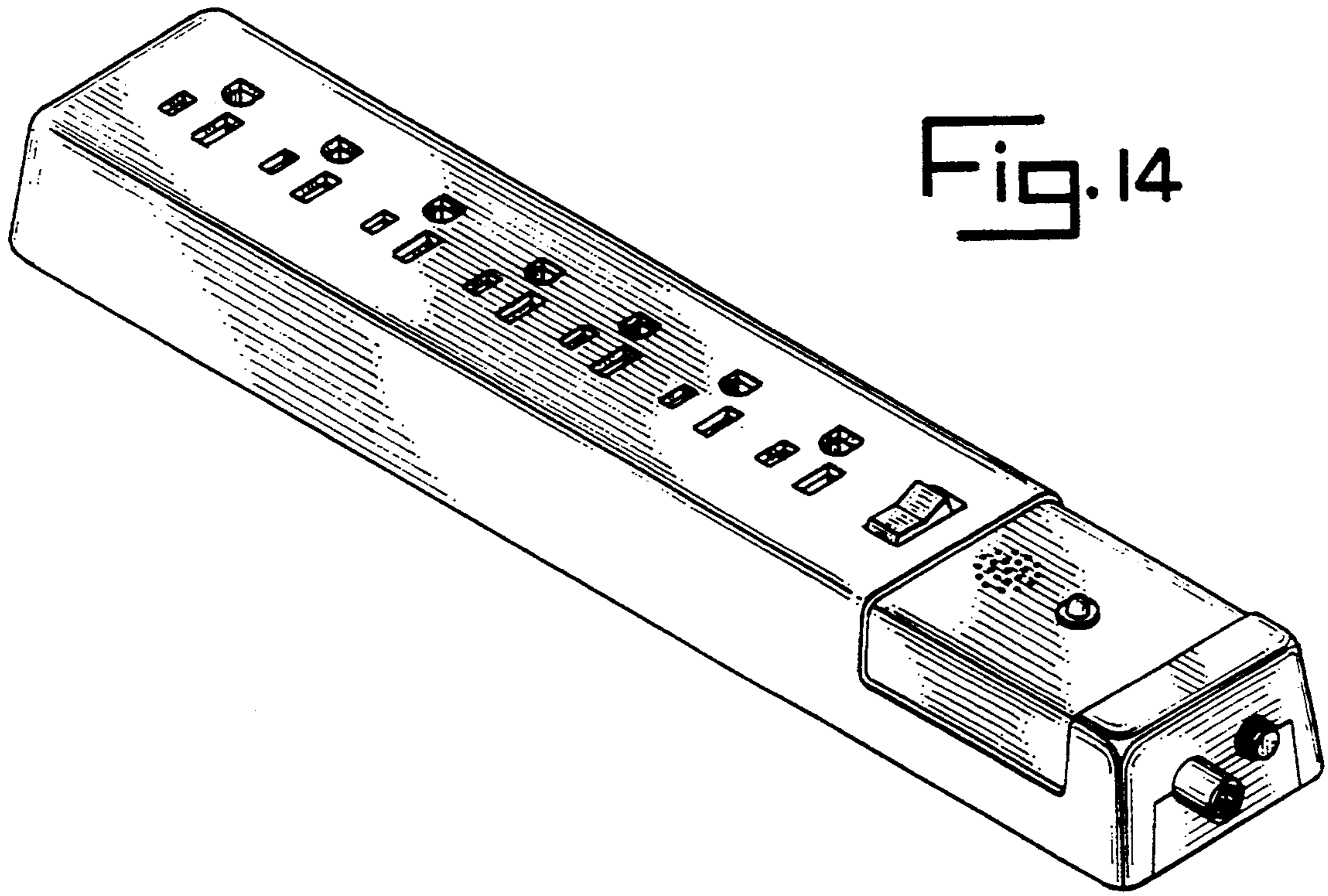
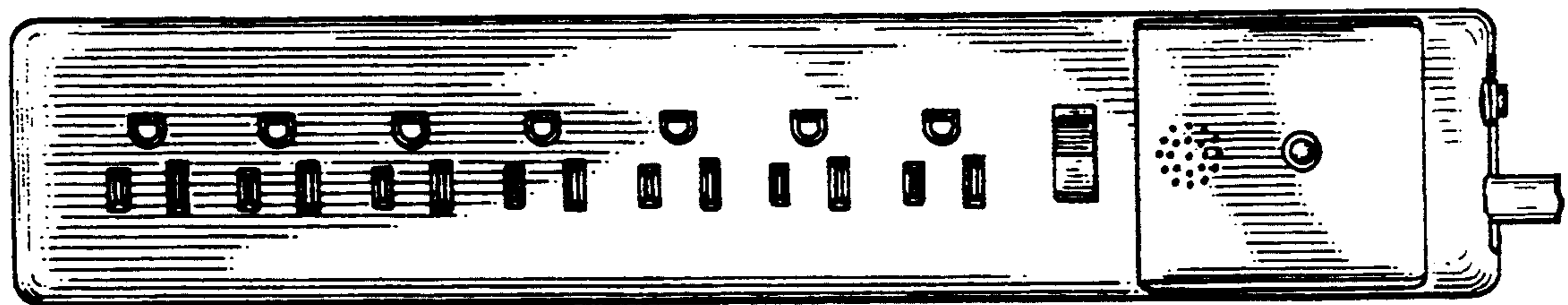


Fig. 14

Fig. 15



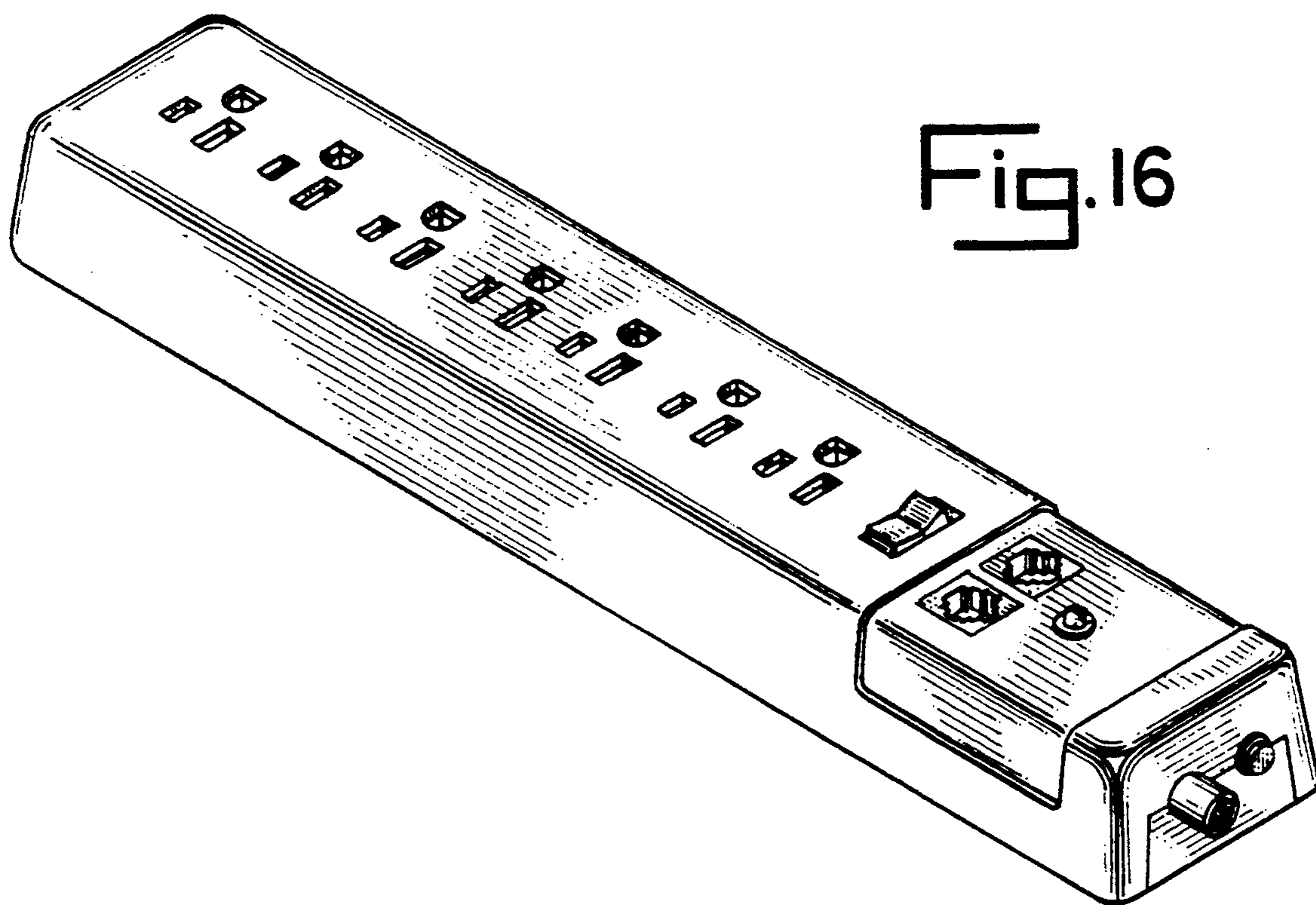


Fig. 16

Fig. 17

