



US00D356541S

# United States Patent [19] Morford

[11] Patent Number: **Des. 356,541**

[45] Date of Patent: **\*\* Mar. 21, 1995**

[54] **VEHICLE MOUNTED GUN RACK**

4,120,436 10/1978 Burch ..... 211/64 X

[75] Inventor: **Ted Morford, Bozeman, Mont.**

*Primary Examiner*—Louis S. Zarfes

[73] Assignee: **Big Sky Racks, Inc., Bozeman, Mont.**

*Attorney, Agent, or Firm*—Douglas L. Tschida

[\*\*] Term: **14 Years**

[57] **CLAIM**

[21] Appl. No.: **115**

The ornamental design for a vehicle mounted gun rack, as shown and described.

[22] Filed: **Oct. 1, 1992**

**DESCRIPTION**

[52] U.S. Cl. .... **D12/406**

[58] Field of Search ..... D12/406, 418; D3/254, D3/262, 901; 224/311, 913; 211/64

FIG. 1 is a perspective drawing showing a right side, front and bottom views of my new gun rack design;

FIG. 2 is a perspective drawing showing a front and top view thereof;

FIG. 3 is a perspective drawing showing a top view thereof;

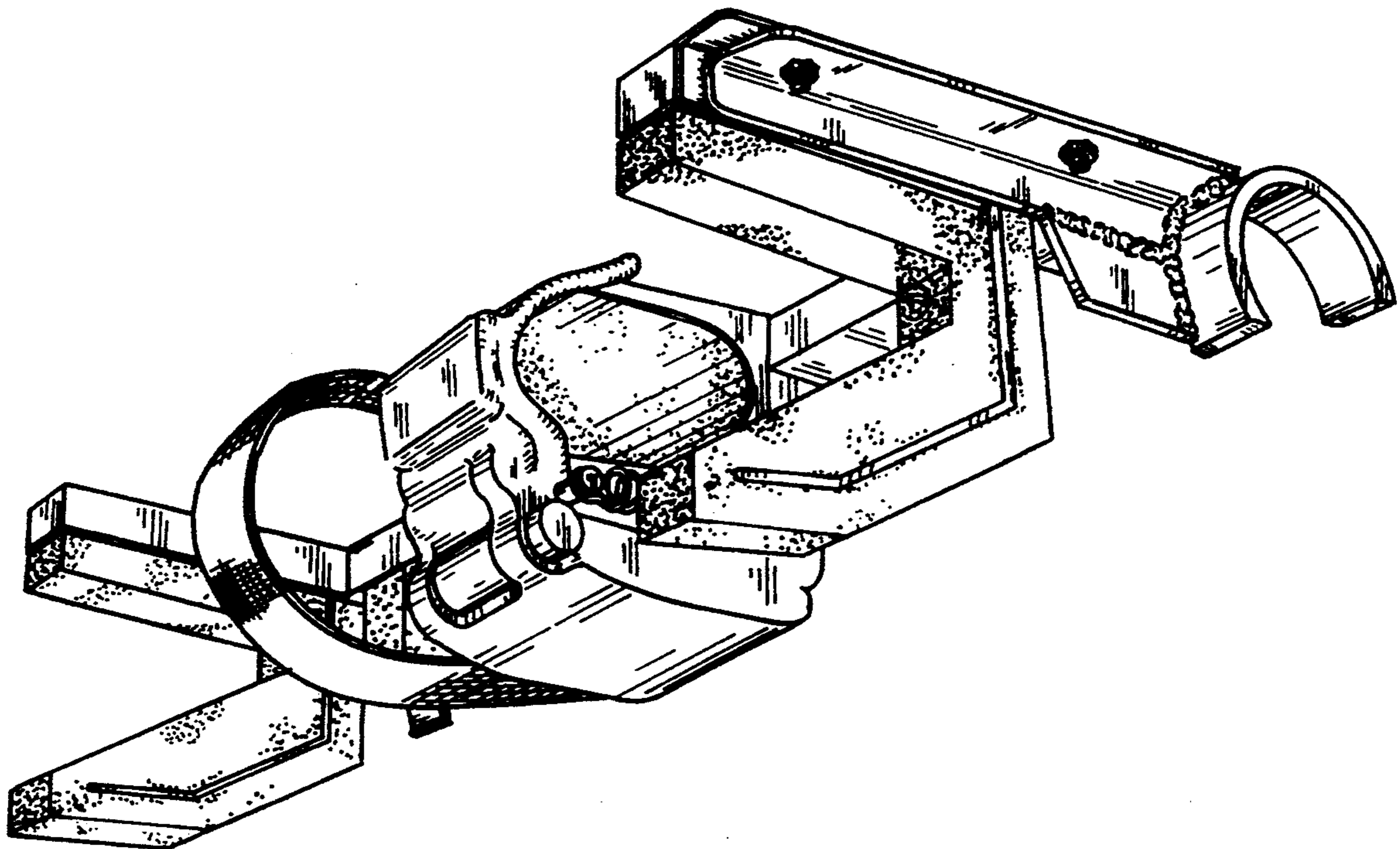
FIG. 4 is a perspective view drawing showing a bottom and rear view thereof; and,

FIG. 5 is a perspective drawing showing a left side view thereof.

[56] **References Cited**

**U.S. PATENT DOCUMENTS**

|            |        |         |       |          |
|------------|--------|---------|-------|----------|
| D. 310,446 | 9/1990 | Elkins  | ..... | D12/406  |
| 2,823,808  | 2/1958 | Hindi   | ..... | 211/64   |
| 2,929,539  | 3/1960 | Safreno | ..... | 211/64 X |
| 3,802,612  | 4/1974 | Smith   | ..... | 211/64 X |



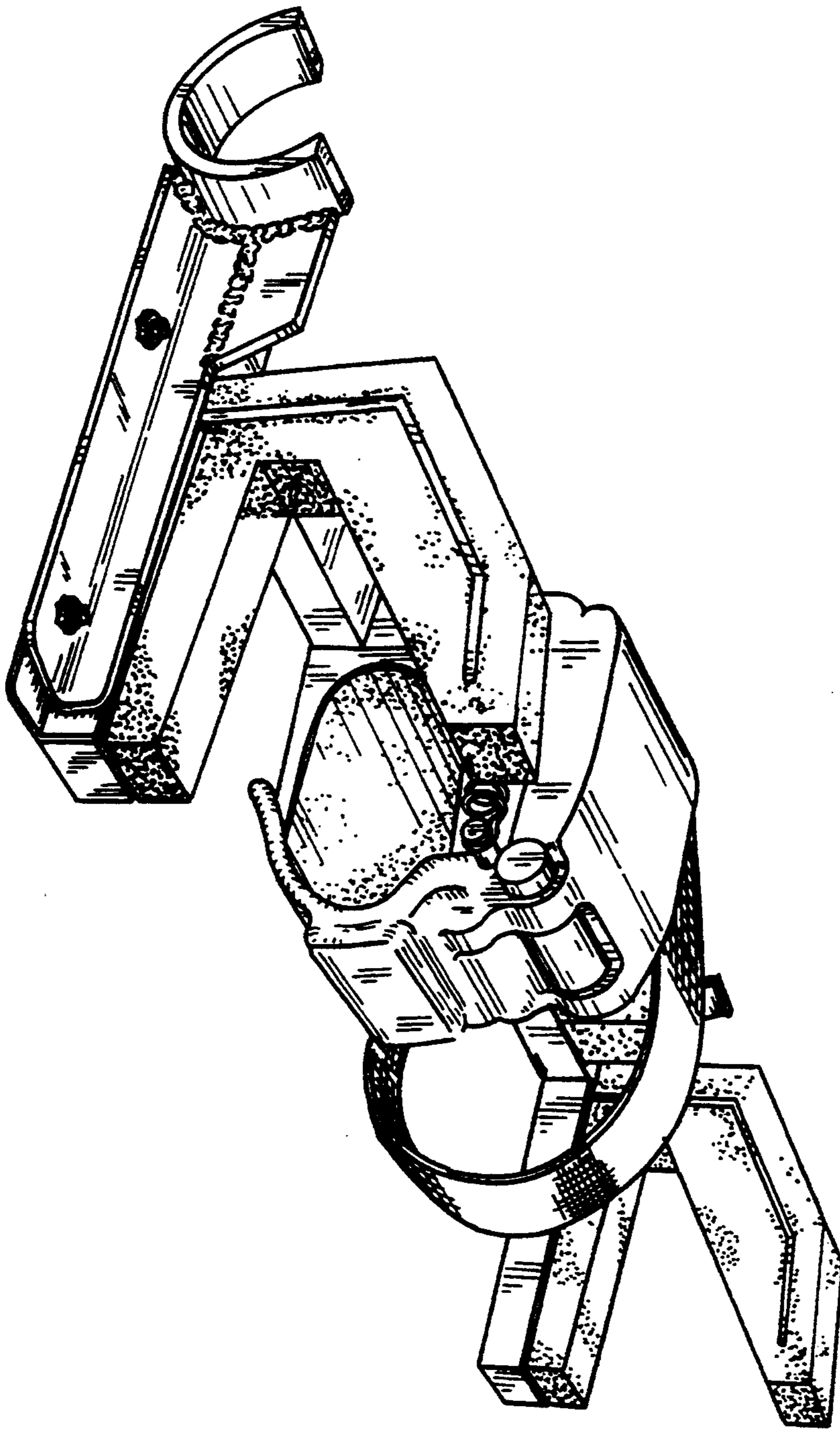


FIG. 1

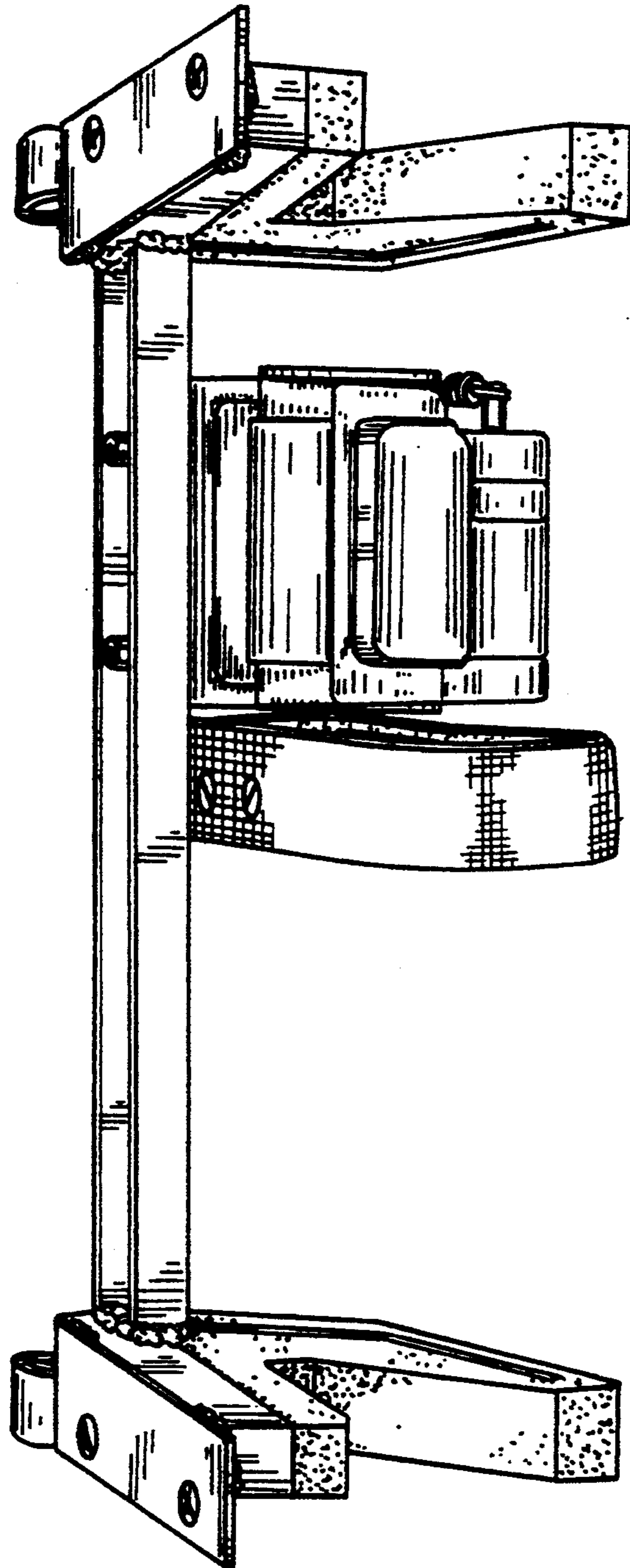


FIG. 2

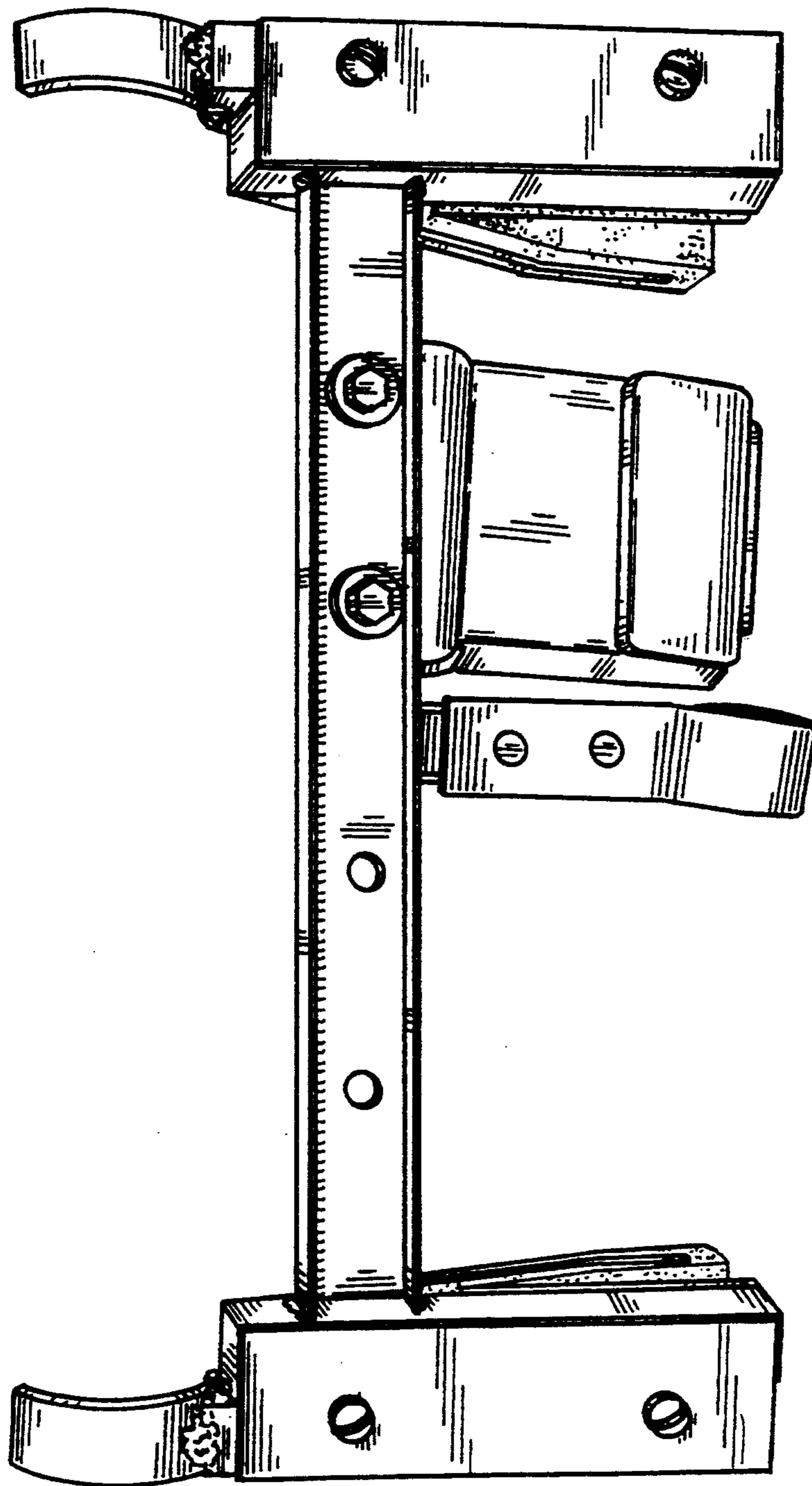


FIG. 3

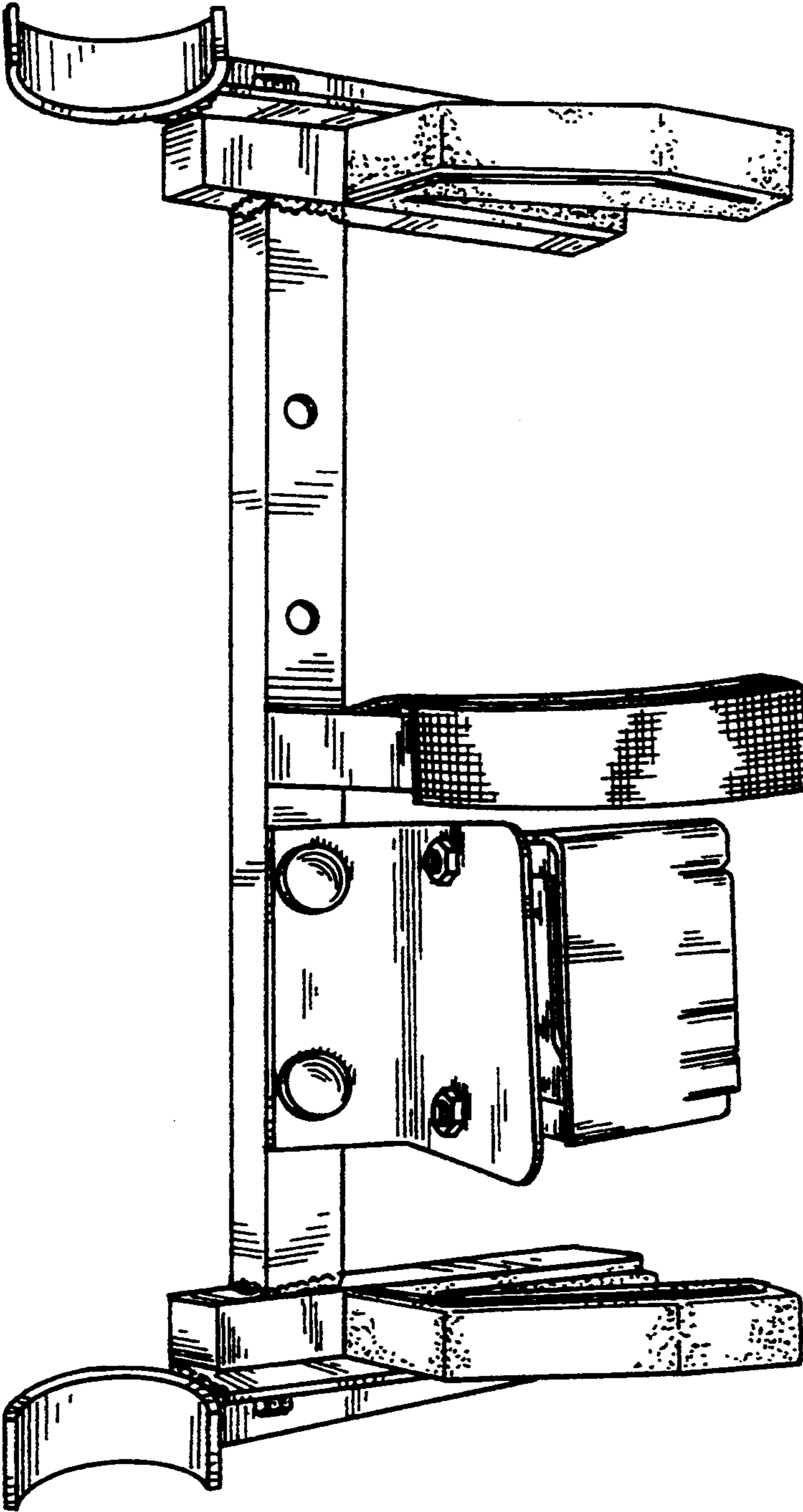


FIG. 4

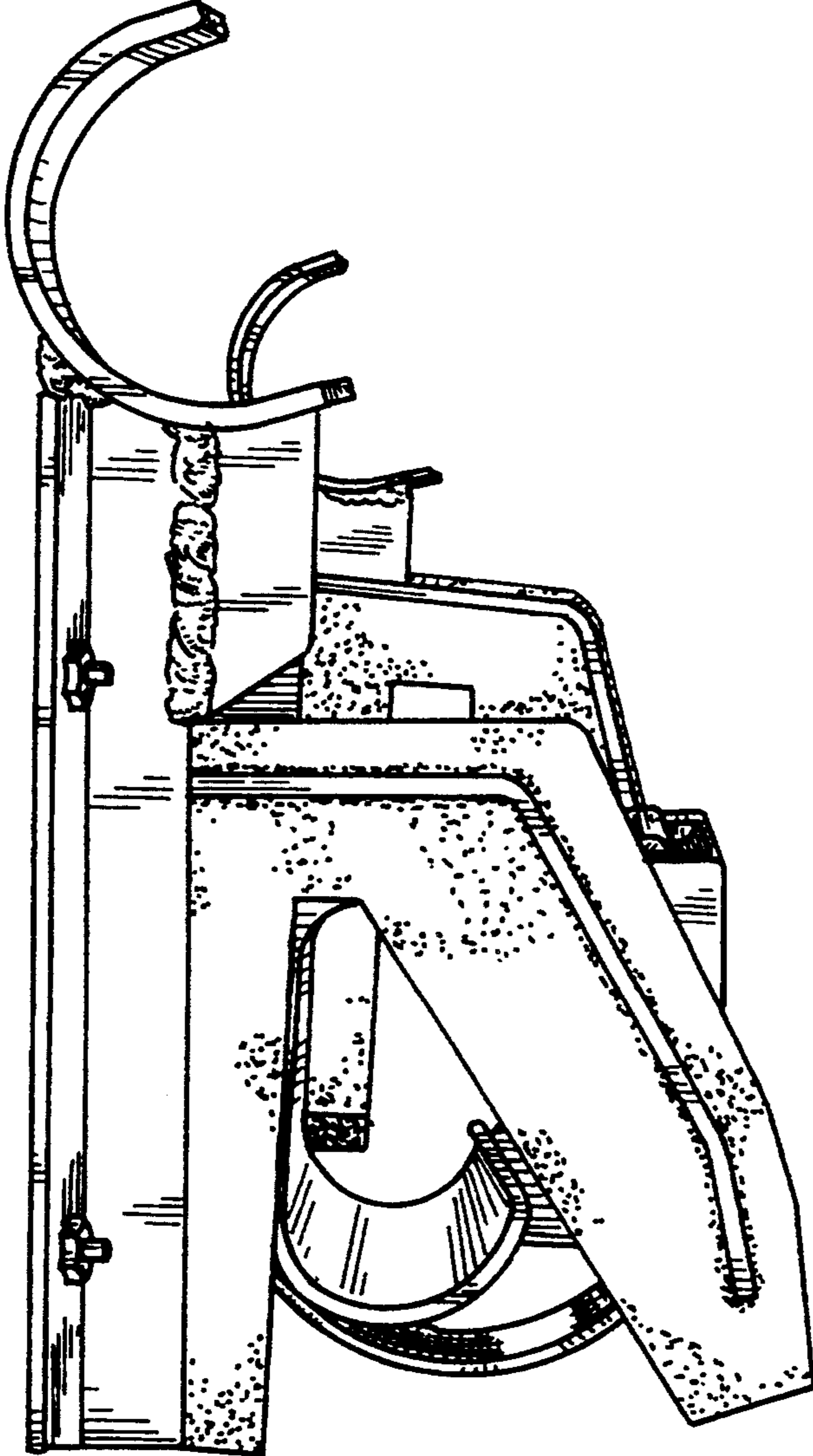


FIG. 5