



US00D356539S

United States Patent [19] Mele

[11] Patent Number: **Des. 356,539**

[45] Date of Patent: **** Mar. 21, 1995**

[54] **FORWARD ROWING DEVICE**

[76] Inventor: **Peter C. Mele**, P.O. Box 533, Crown Point, N.Y. 12928

[**] Term: **14 Years**

[21] Appl. No.: **9,440**

[22] Filed: **Jun. 14, 1993**

[52] U.S. Cl. **D12/317; D12/215**

[58] Field of Search **D12/317, 215; 440/105, 440/104, 102**

[56] **References Cited**

U.S. PATENT DOCUMENTS

4,052,951	10/1977	Farr	440/105
4,411,214	10/1983	Horiuchi	440/105
5,248,272	9/1993	Dupont	440/105

FOREIGN PATENT DOCUMENTS

954331 9/1982 U.S.S.R. 440/105

Primary Examiner—Kay H. Chin

Attorney, Agent, or Firm—Thomas N. Neiman

[57] **CLAIM**

The ornamental design for a forward rowing device, as shown and described.

DESCRIPTION

FIG. 1 is a top plan view of the novel forward rowing device;
 FIG. 2 is a side elevational view thereof;
 FIG. 3 is a front elevational view thereof;
 FIG. 4 is a bottom plan view thereof;
 FIG. 5 is a rear elevational view thereof; and,
 FIG. 6 is a perspective view thereof.

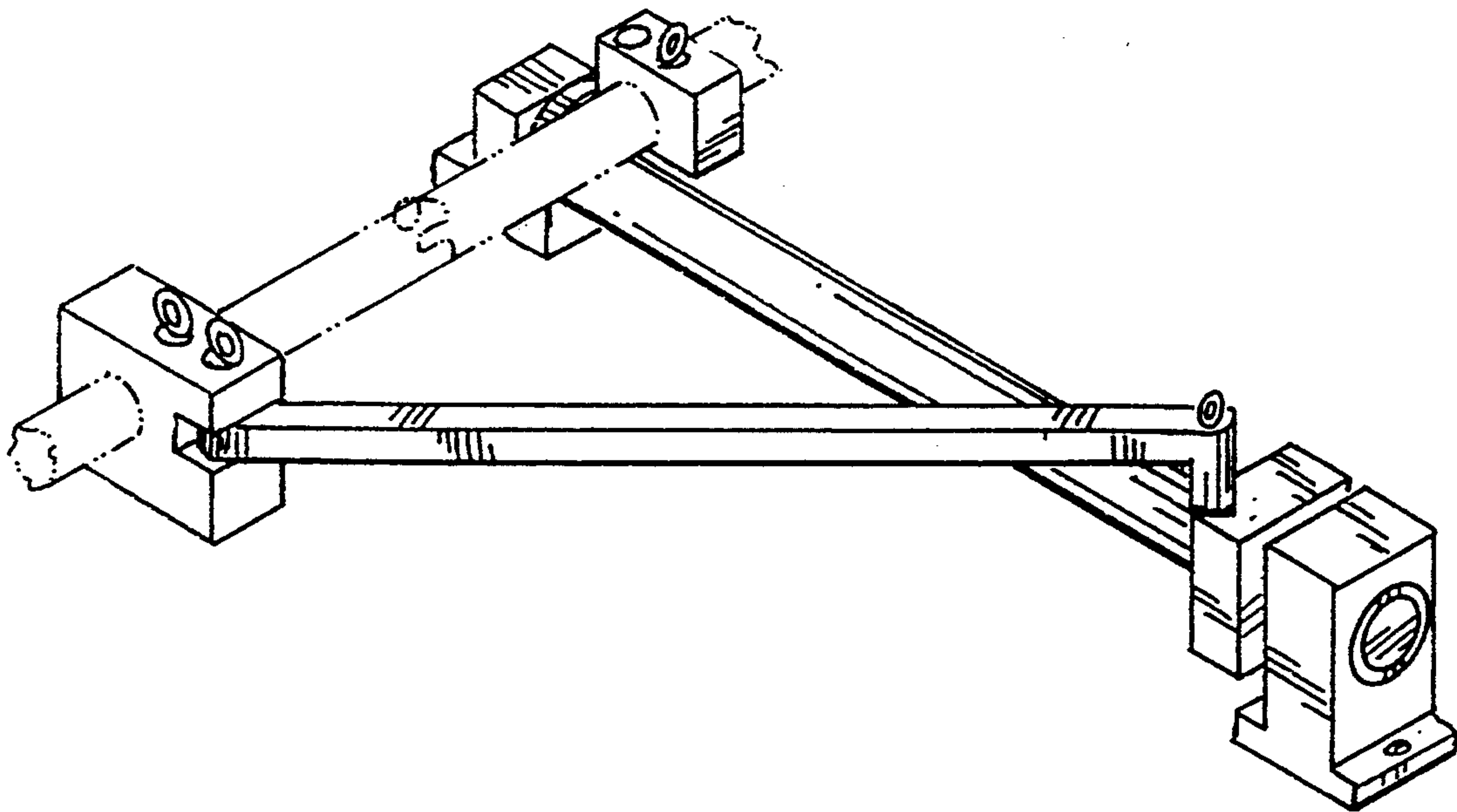


FIG. 1

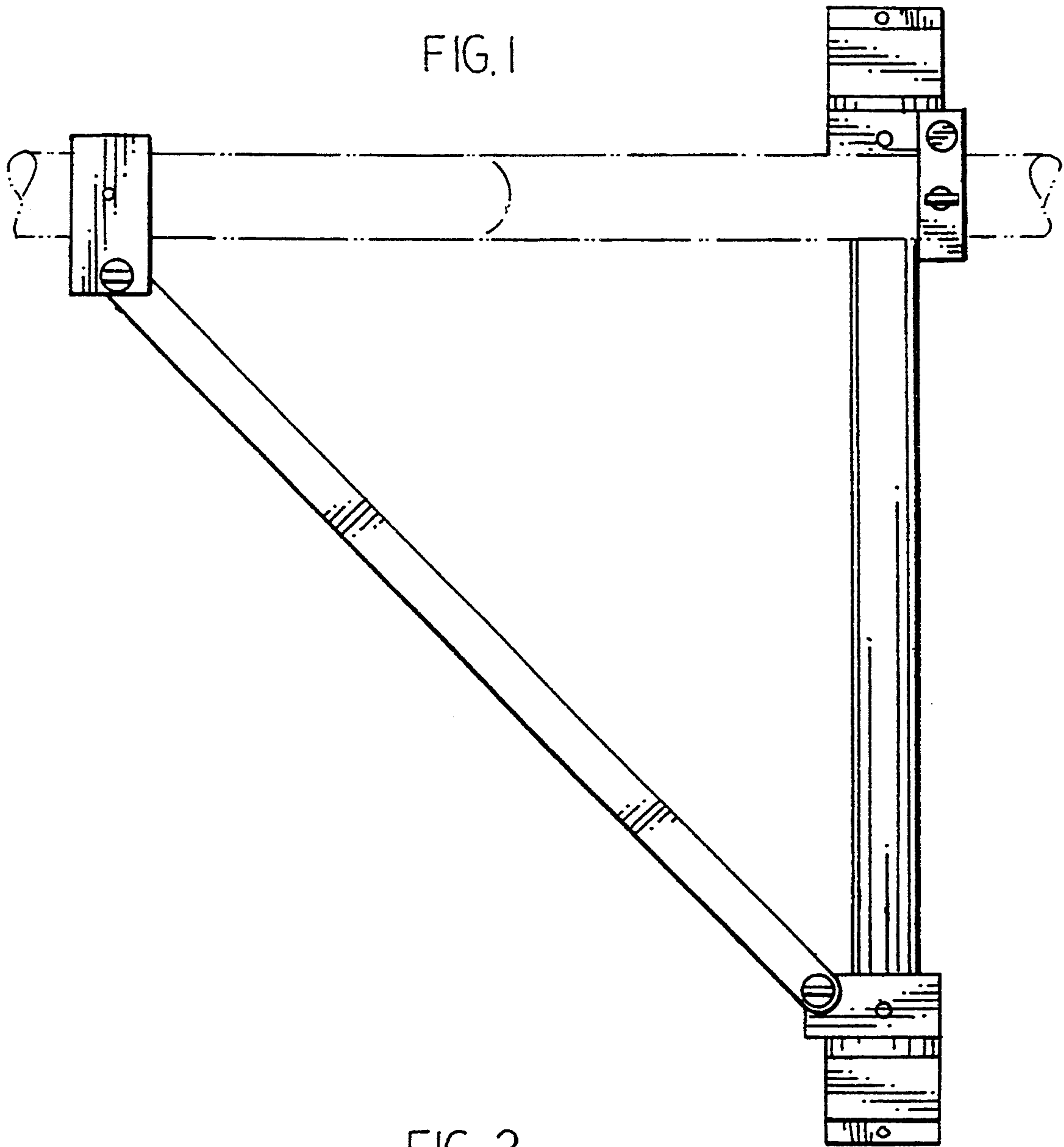


FIG. 2

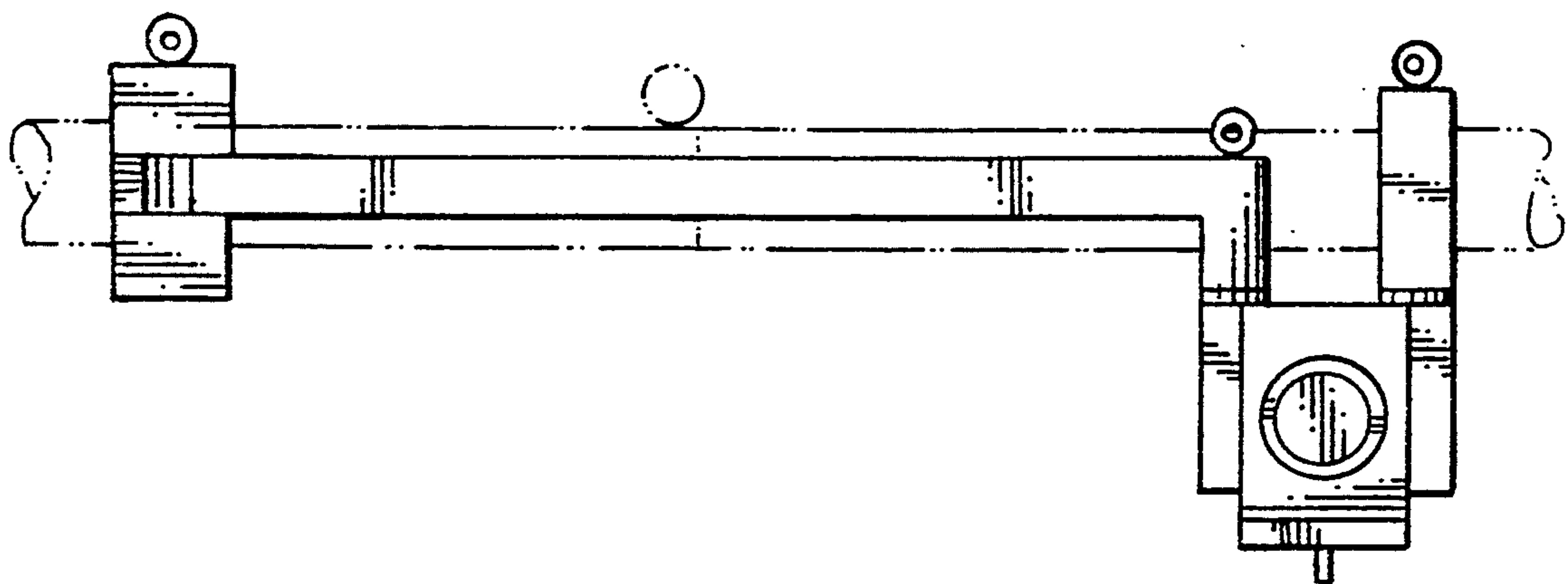


FIG. 3

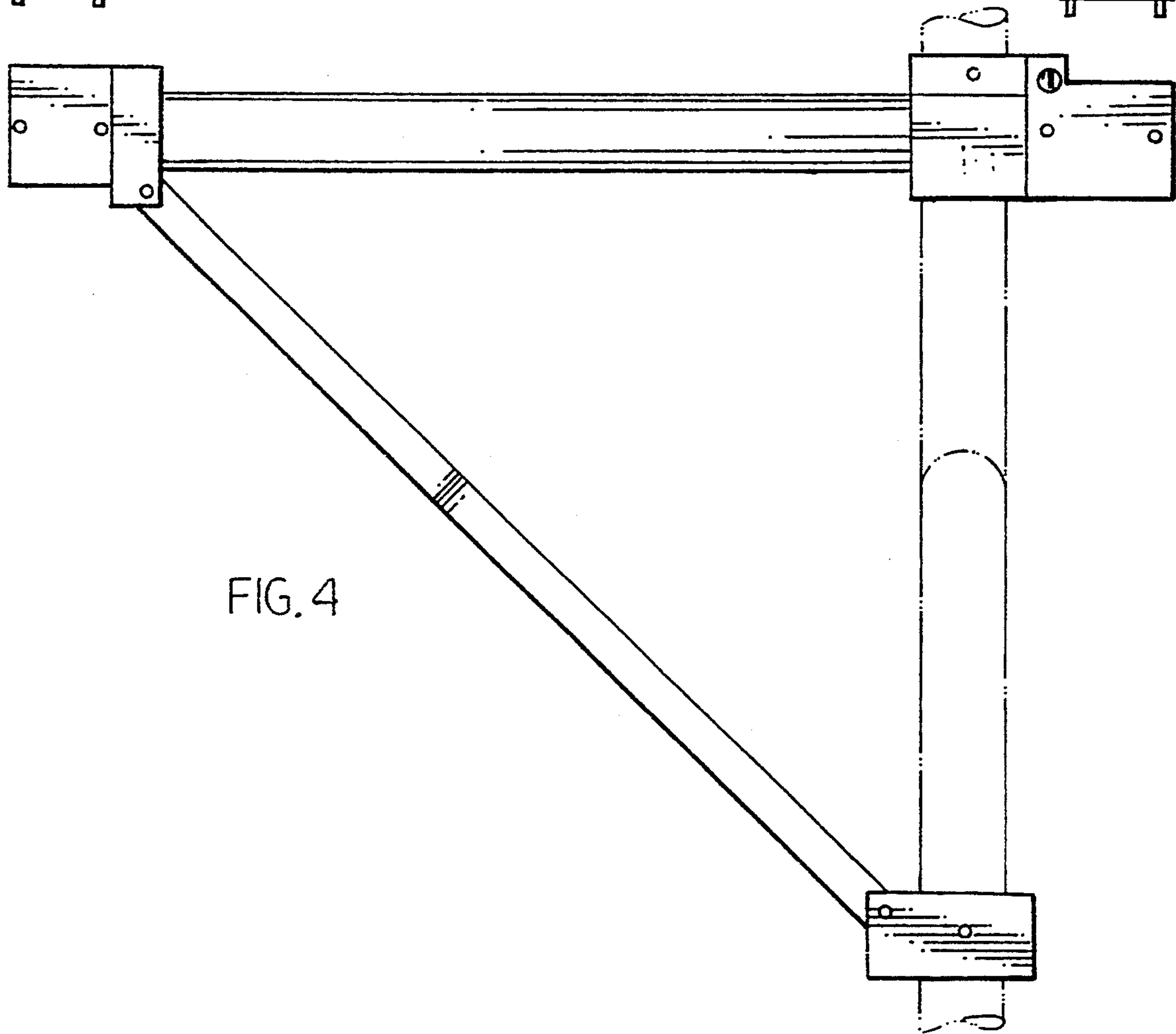
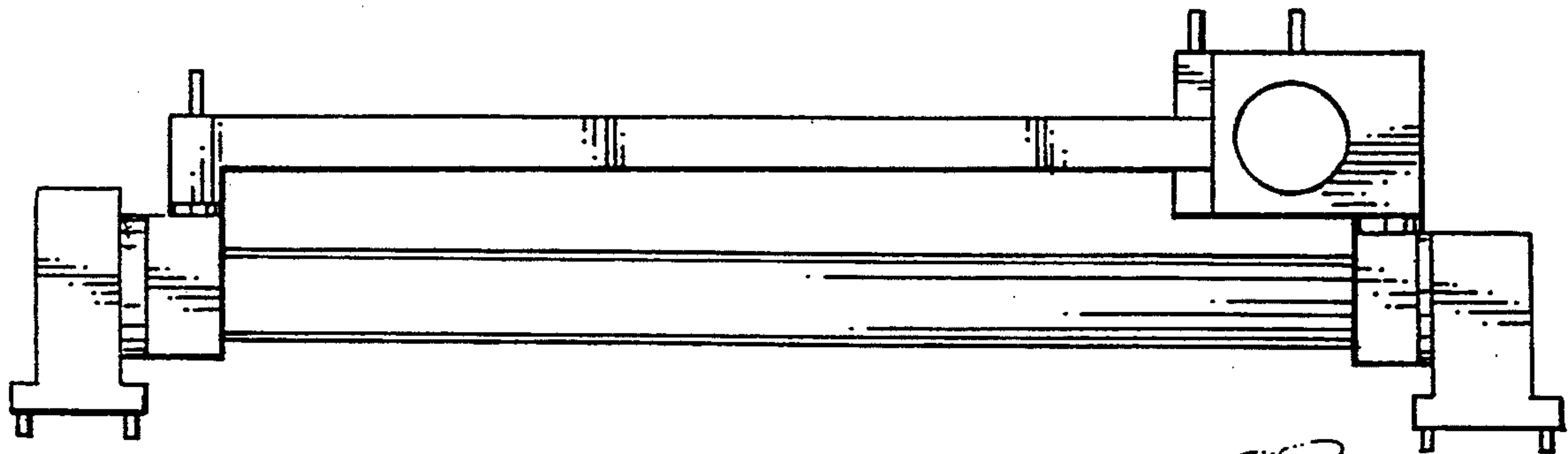


FIG. 4

FIG. 5

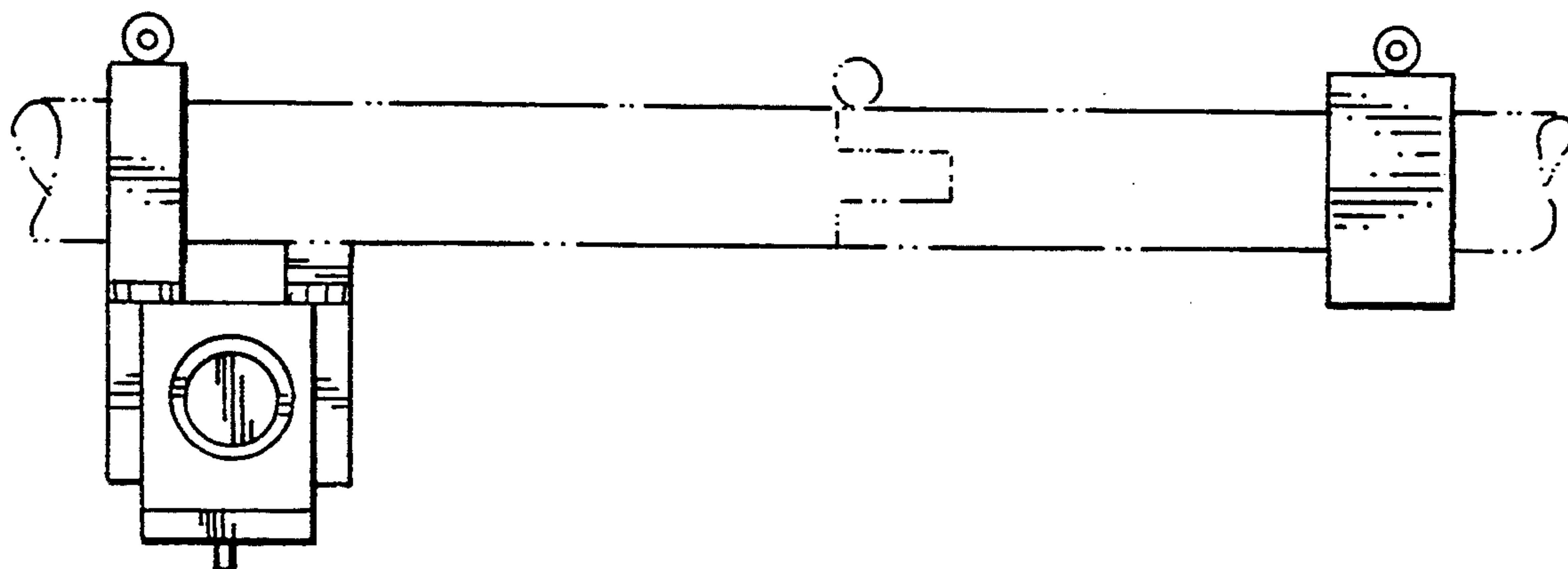


FIG. 6

