



US00D356537S

United States Patent [19]

[11] Patent Number: **Des. 356,537**

Eisenbraun

[45] Date of Patent: **** Mar. 21, 1995**

[54] **REAR VIEW MIRROR**

[76] Inventor: **Kenneth D. Eisenbraun**, 1047 Pilgrim, Birmingham, Mich. 48009

[**] Term: **14 Years**

[21] Appl. No.: **16,259**

[22] Filed: **Dec. 13, 1993**

[52] U.S. Cl. **D12/187**

[58] Field of Search **D12/187; 359/844, 850, 359/862, 863, 864, 865, 866, 871, 873, 874**

[56] **References Cited**

U.S. PATENT DOCUMENTS

D. 251,662	4/1979	Hutchinson, Jr. et al.	D12/187
3,954,328	5/1976	Ames	350/304
4,111,532	9/1978	Budish	350/307
4,598,982	7/1986	Levine	350/626
4,664,489	5/1987	Karns	350/631
4,750,824	6/1988	Soumenis	350/582
4,834,522	5/1989	Janowicz	350/637
4,859,046	8/1989	Traynor et al.	359/850
4,892,400	1/1990	Brookes et al.	350/626
4,892,401	1/1990	Kittridge et al.	350/626
5,052,792	10/1991	McDonough	359/866
5,115,352	5/1992	do Espirito Santo	359/865
5,296,973	3/1994	Burke	359/844

FOREIGN PATENT DOCUMENTS

2043982 7/1992 Canada 359/865

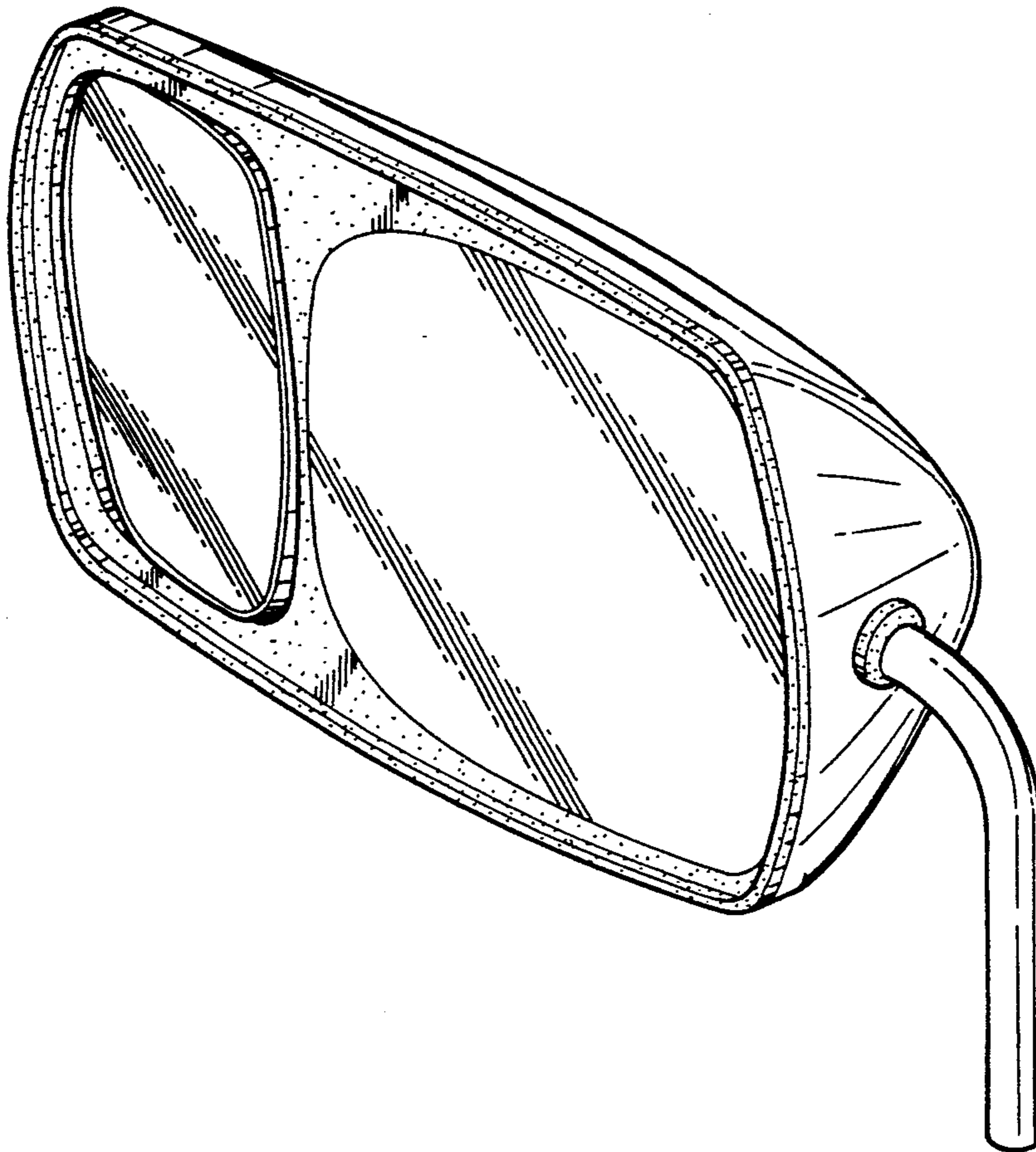
Primary Examiner—James M. Gandy
Attorney, Agent, or Firm—Gifford, Krass, Groh, Sprinkle, Patmore, Anderson & Citkowski

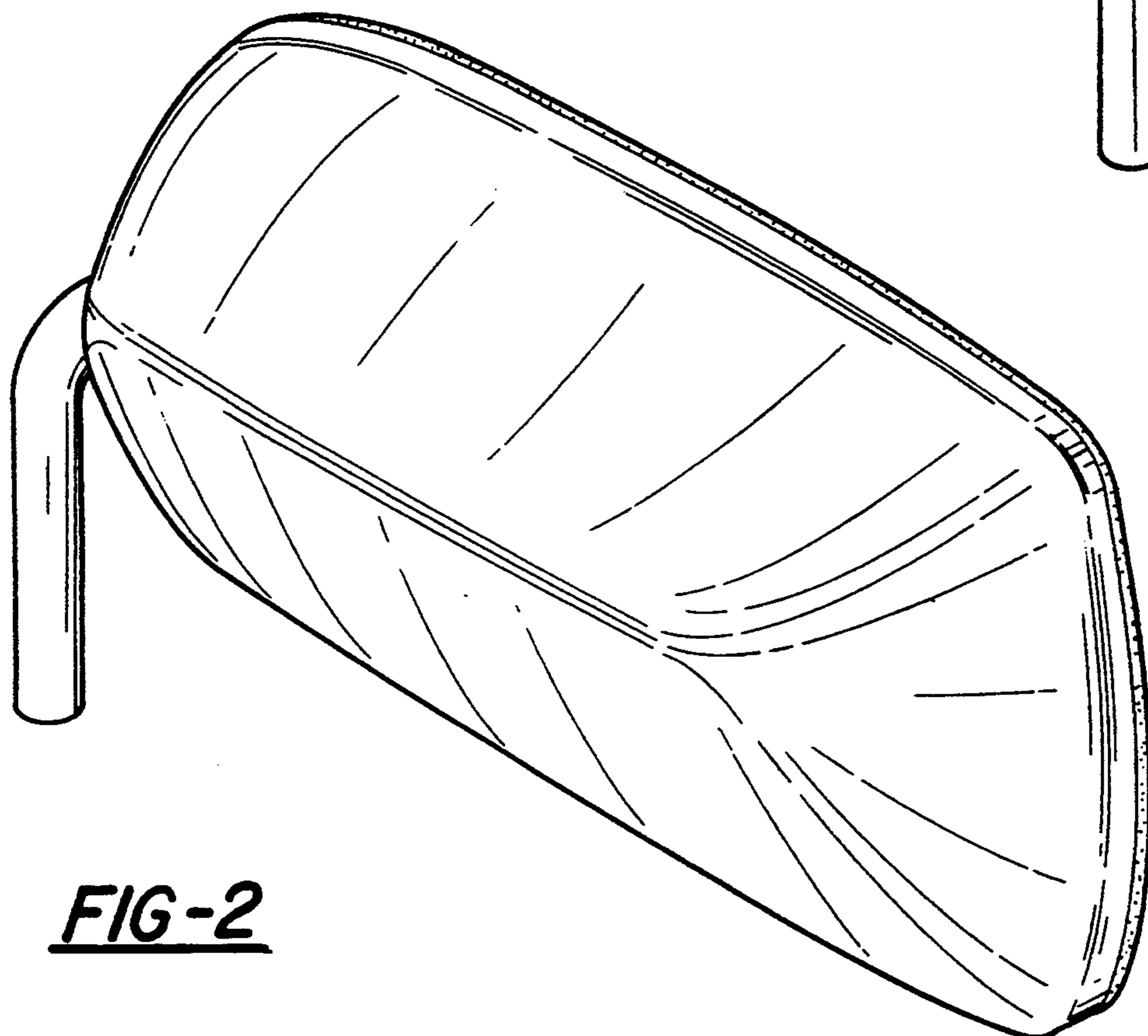
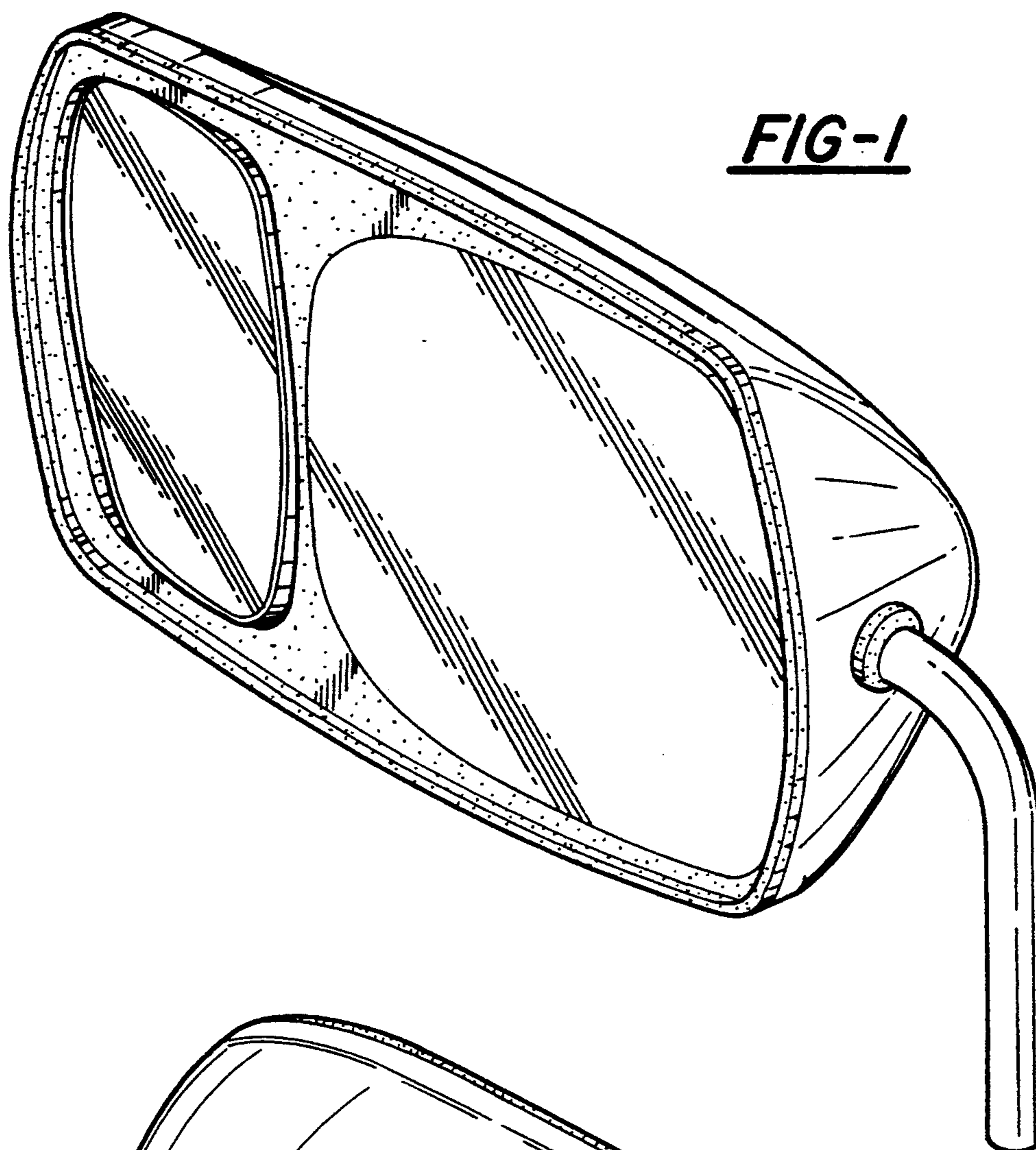
[57] **CLAIM**

The ornamental design for a rear view mirror, as shown and described.

DESCRIPTION

FIG. 1 is a front perspective view of a rear view mirror showing my new design;
 FIG. 2 is a back perspective view thereof;
 FIG. 3 is a front elevation view thereof;
 FIG. 4 is a back elevation view thereof;
 FIG. 5 is a front perspective view of a second embodiment of the rear view mirror showing my new design;
 FIG. 6 is a back perspective view of FIG. 5;
 FIG. 7 is a front elevation view of FIG. 5;
 FIG. 8 is a back elevation view of FIG. 5;
 FIG. 9 is a front perspective view of a third embodiment of the rear view mirror showing my new design;
 FIG. 10 is a back perspective view of FIG. 9;
 FIG. 11 is a front elevation view of FIG. 9; and,
 FIG. 12 is a back elevation view of FIG. 9.





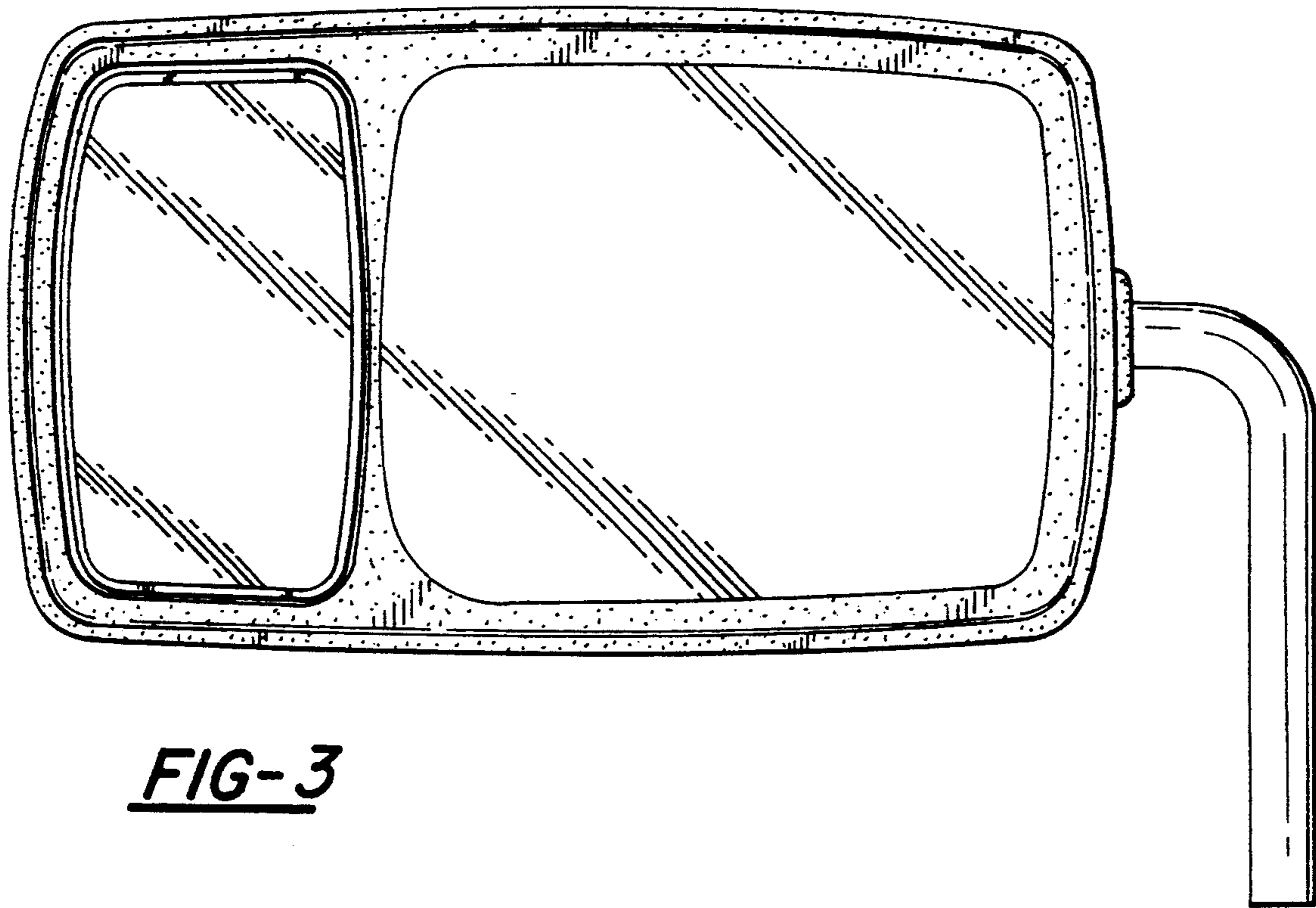


FIG-3

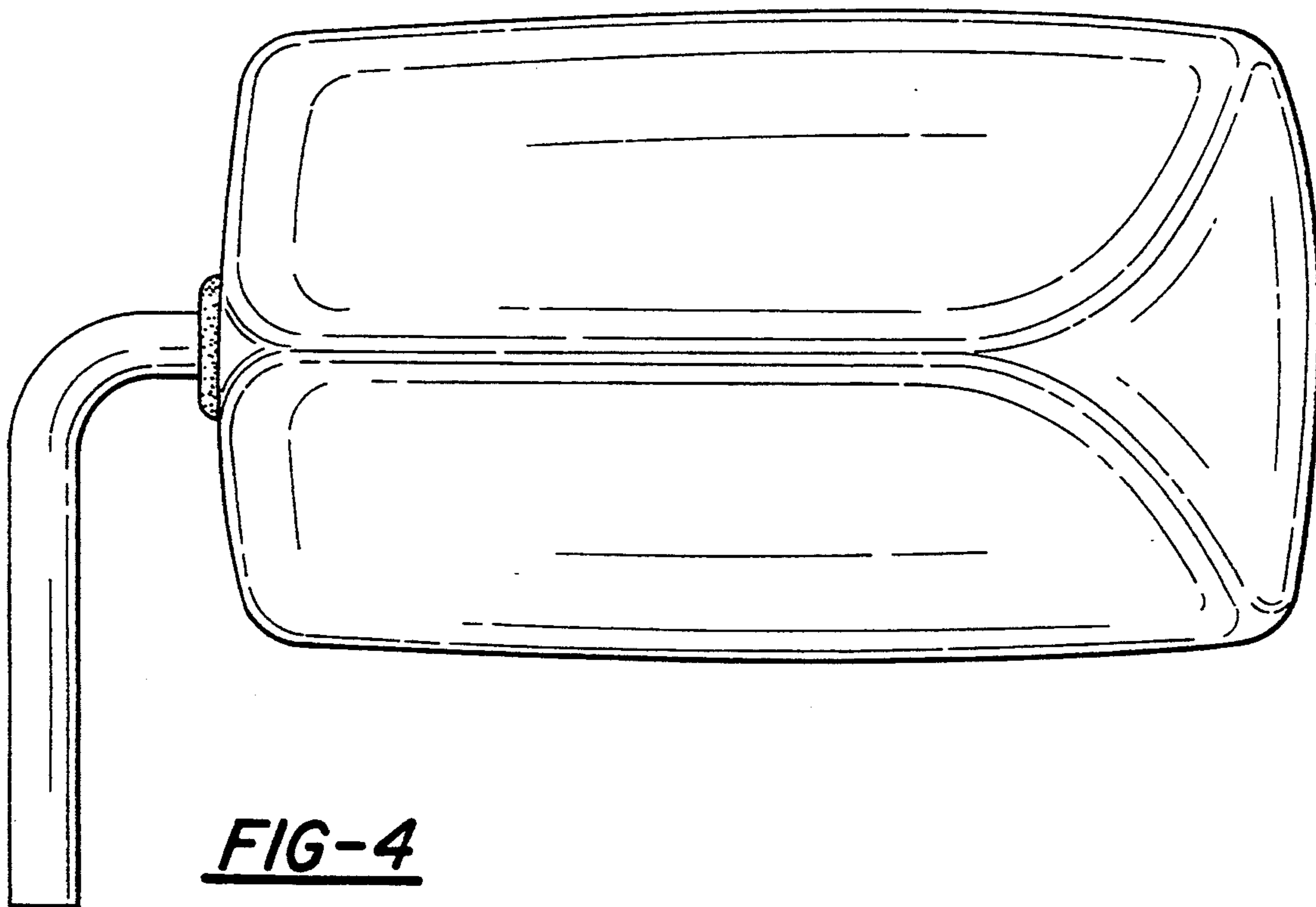


FIG-4

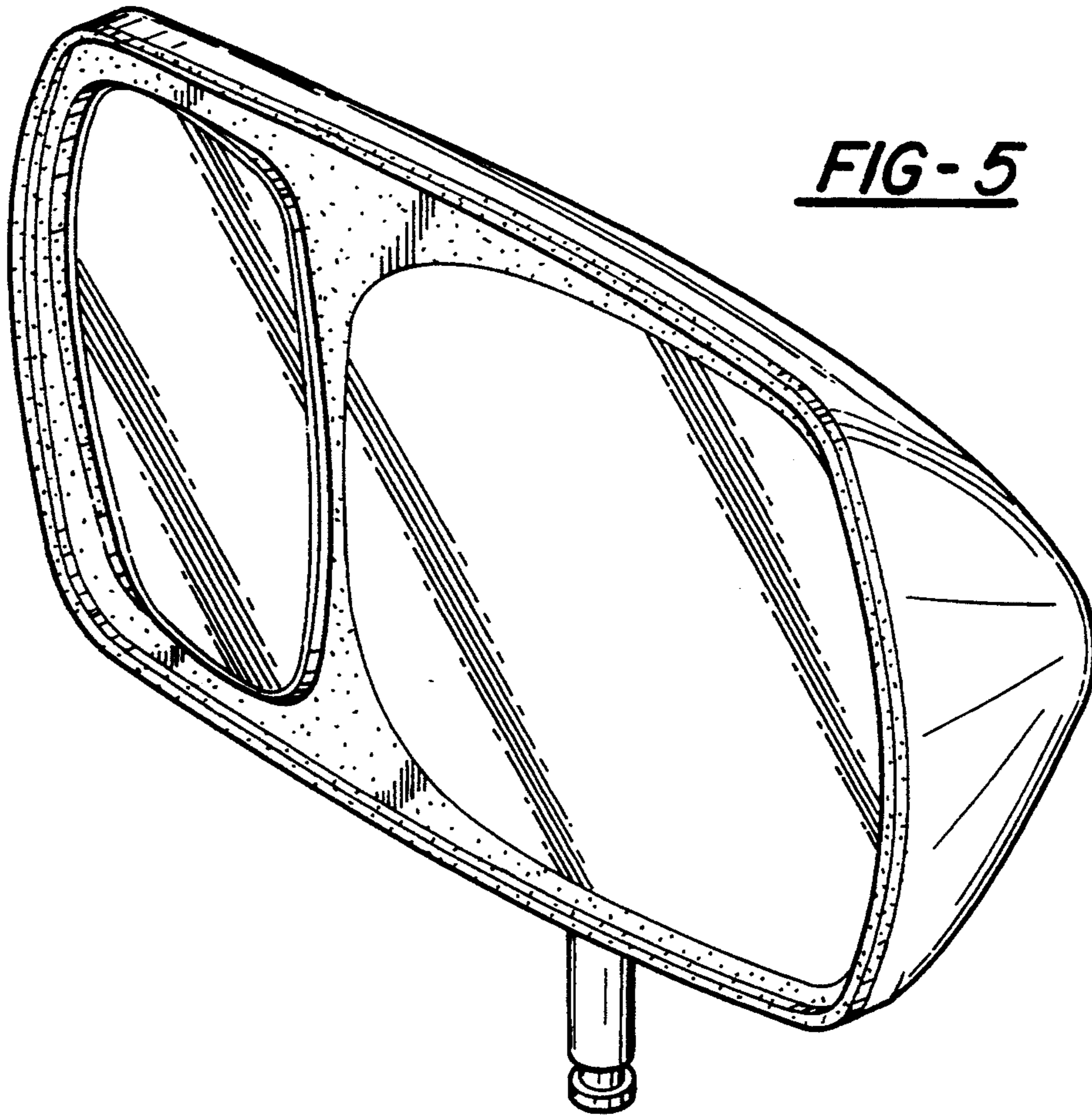


FIG-5

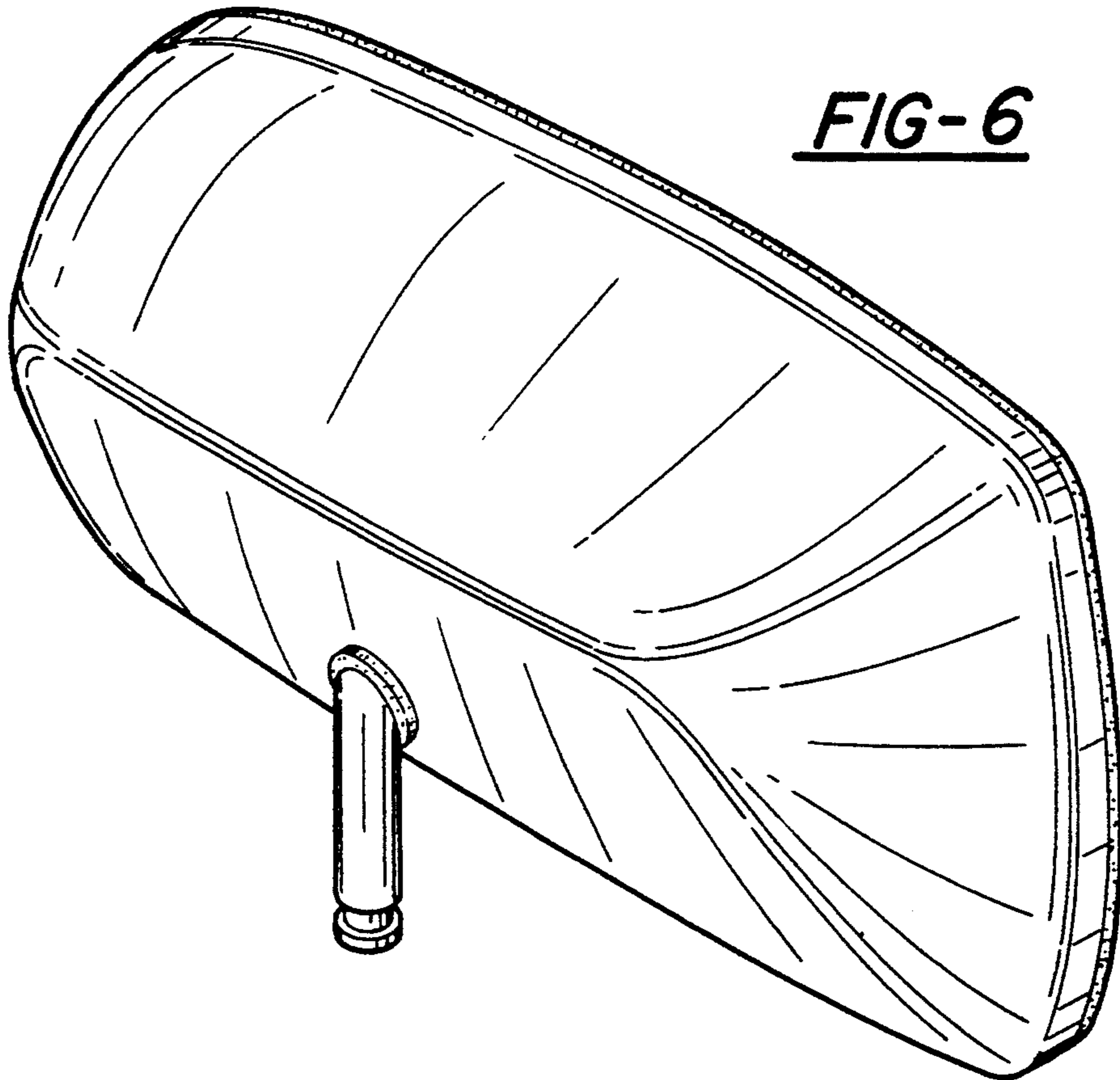


FIG-6

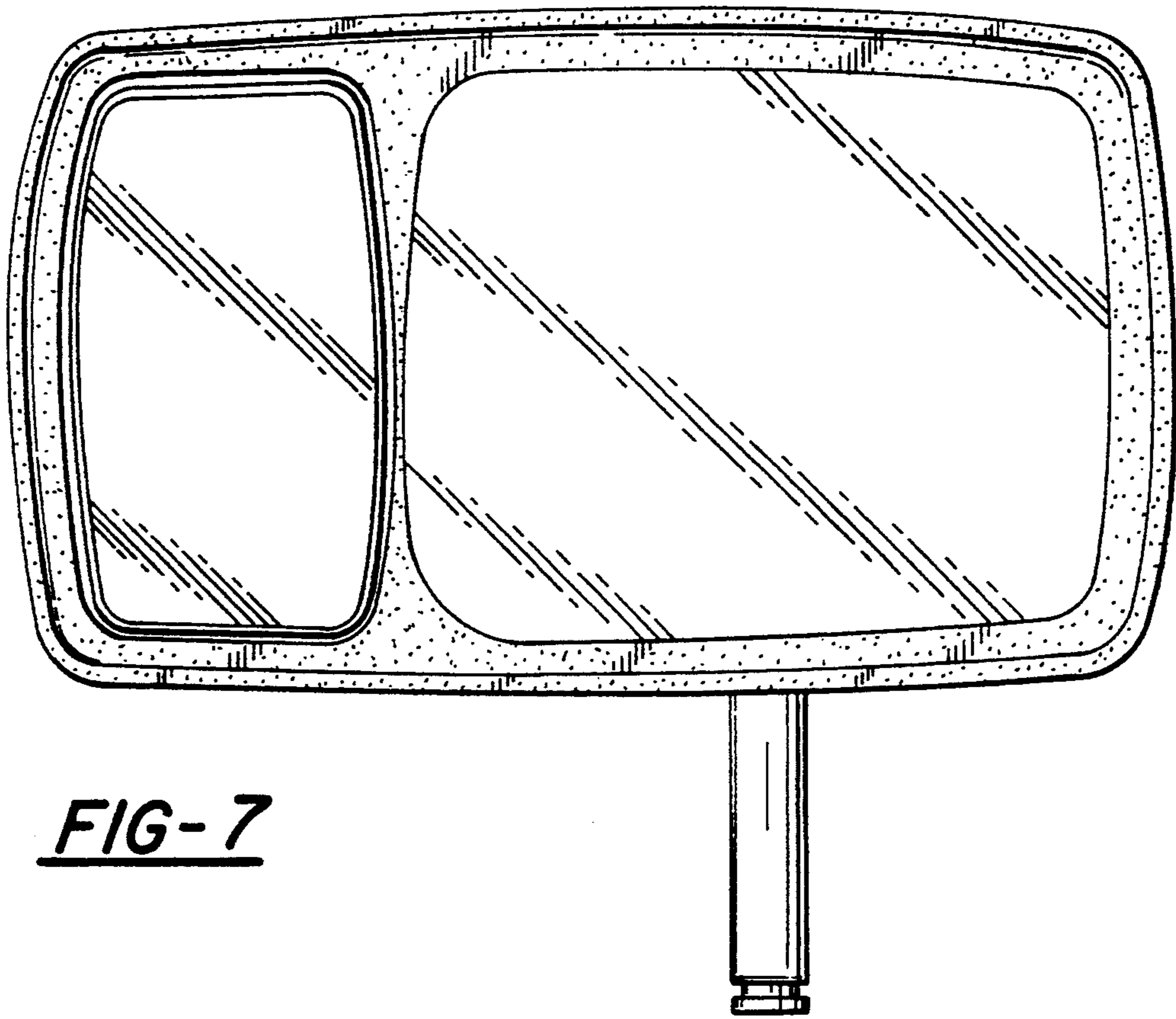


FIG-7

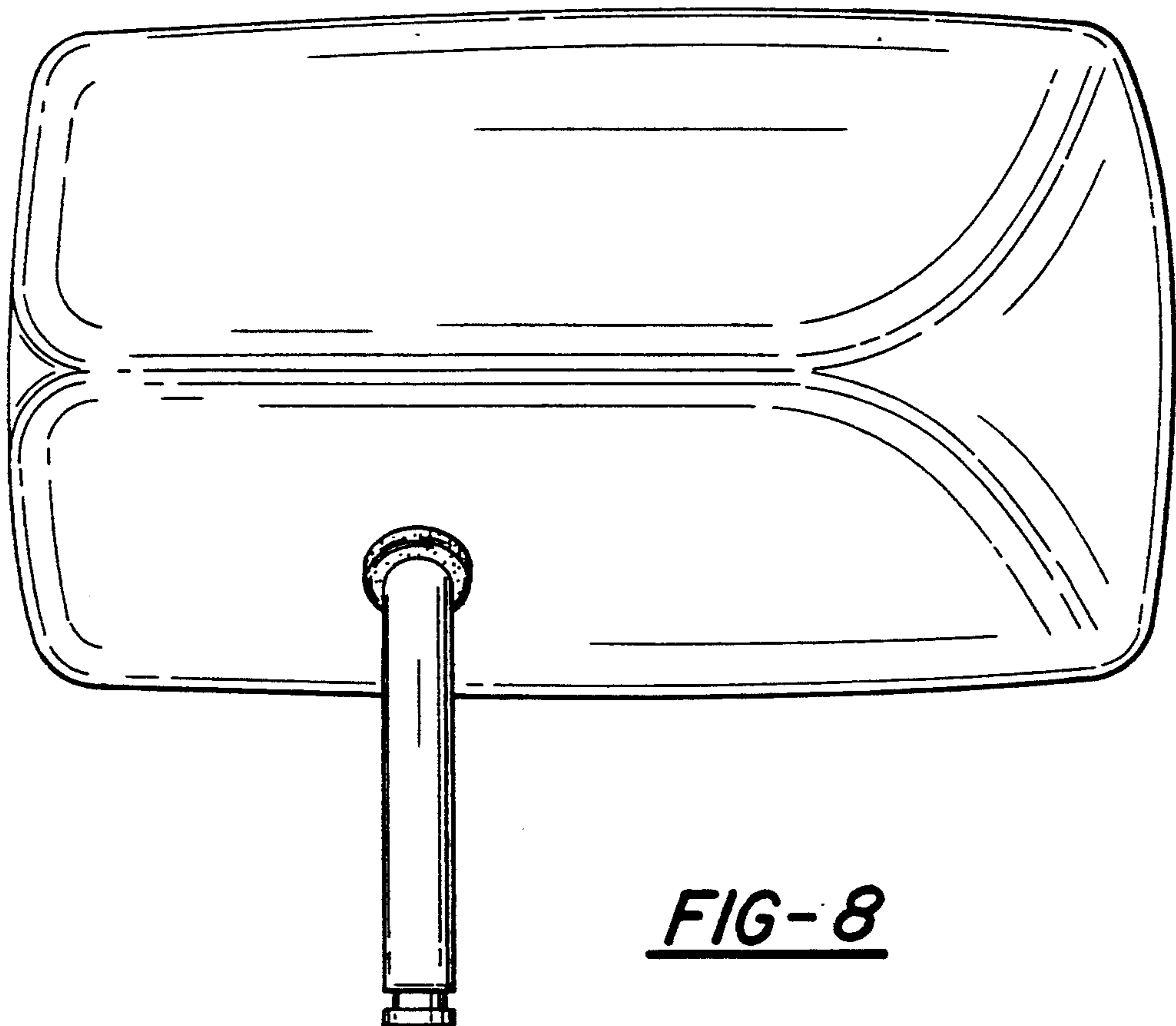


FIG-8

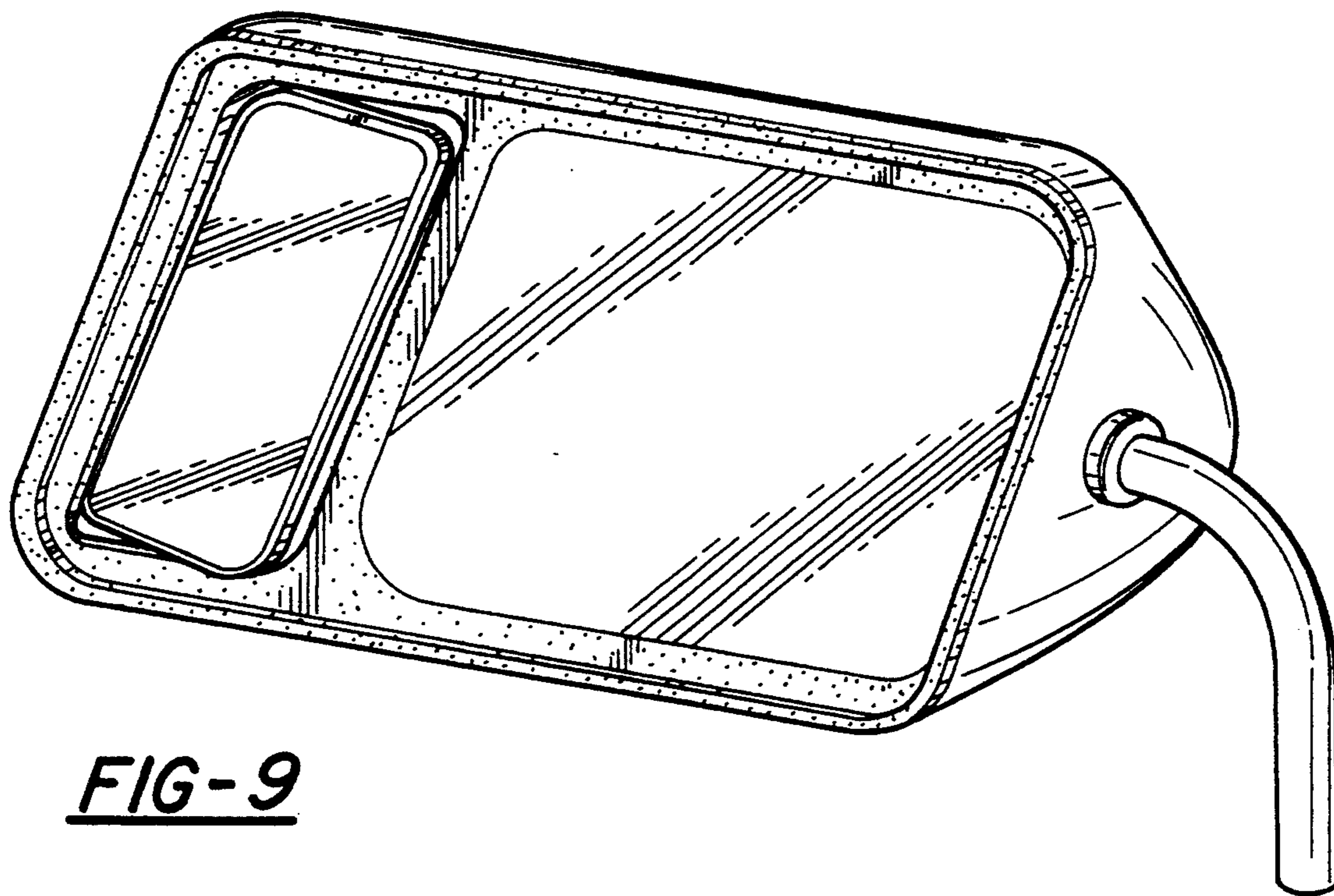
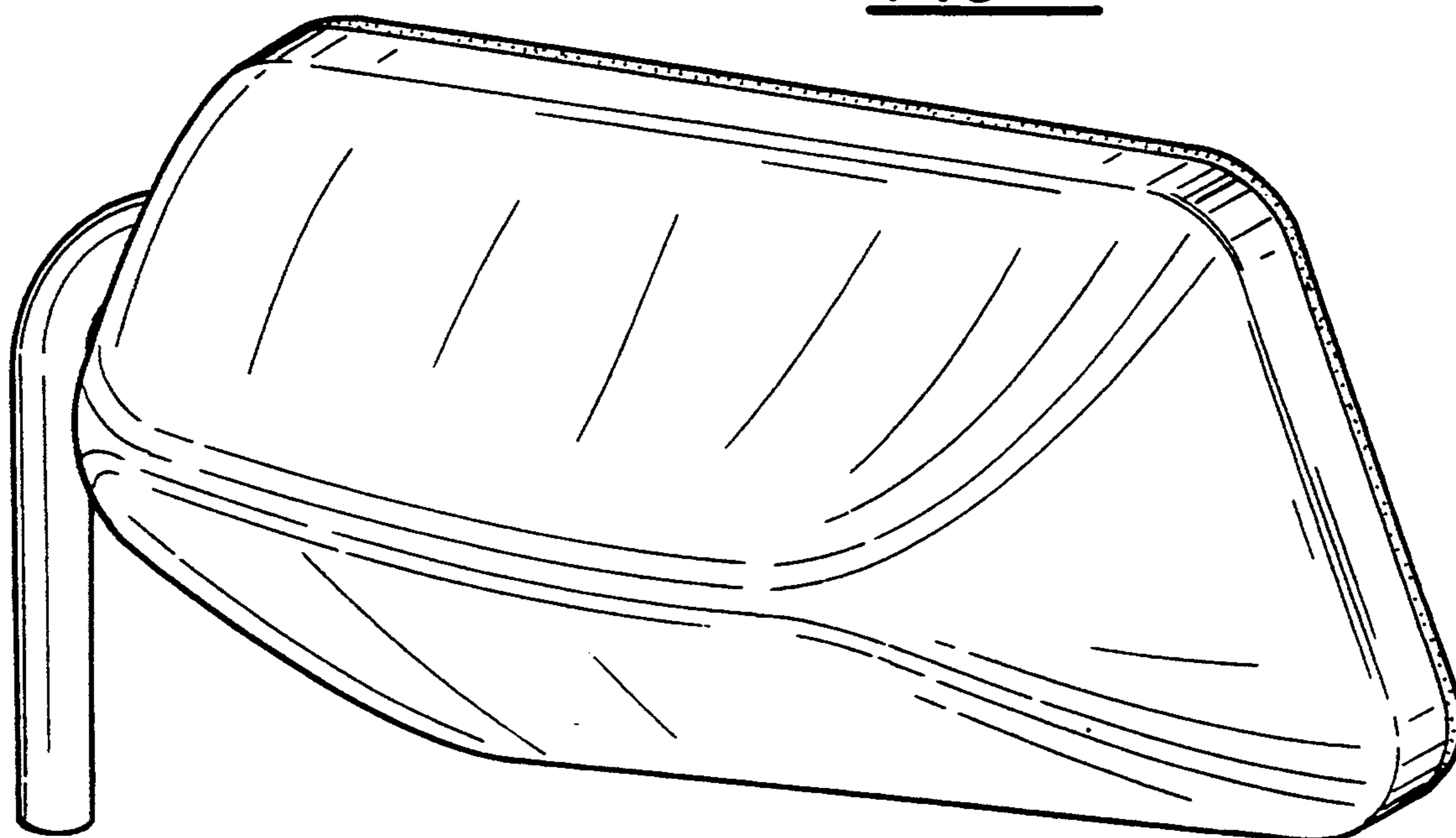


FIG-9

FIG-10



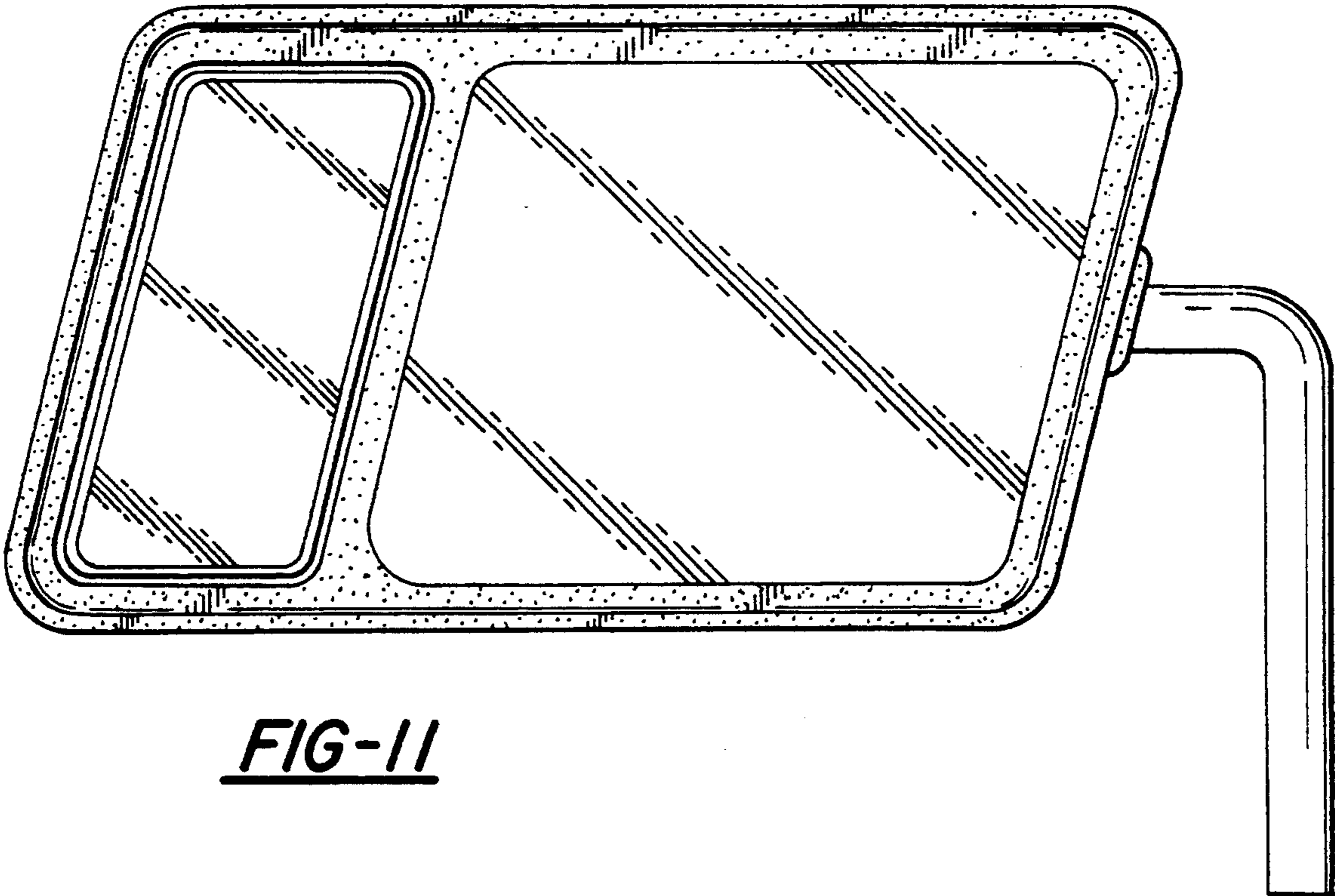


FIG-11

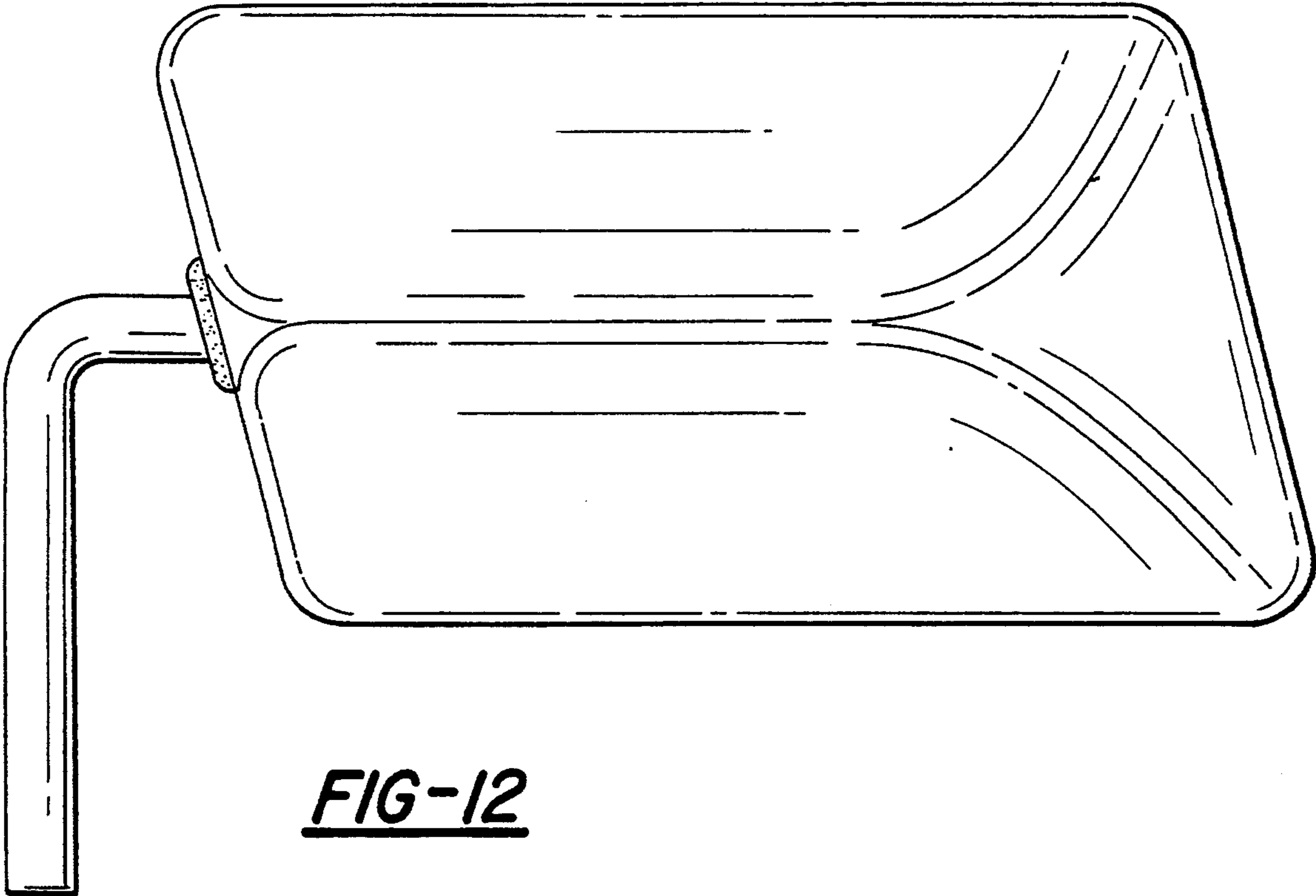


FIG-12