



US00D356534S

United States Patent [19]

Steinke et al.

[11] Patent Number: **Des. 356,534**

[45] Date of Patent: **** Mar. 21, 1995**

[54] **DISC BRAKE SHIM**

[75] Inventors: **Gustav J. Steinke; Starla D. Elsass-Huffer**, both of Lima, Ohio

[73] Assignee: **International Brake Industries, Inc.**, Lima, Ohio

[**] Term: **14 Years**

[21] Appl. No.: **18,533**

[22] Filed: **Feb. 9, 1994**

[52] U.S. Cl. **D12/180**

[58] Field of Search **D12/180; 188/73.1, 250 B**

[56] **References Cited**

U.S. PATENT DOCUMENTS

- D. 331,119 11/1993 Steinke et al. D12/180
- D. 336,741 6/1993 Steinke et al. D12/180
- D. 336,882 6/1993 Steinke et al. D12/180
- D. 336,883 6/1993 Steinke et al. D12/180
- D. 337,088 7/1993 Steinke et al. D12/180
- D. 337,089 7/1993 Steinke et al. D12/180
- D. 337,293 7/1993 Steinke et al. D12/180
- D. 337,294 7/1993 Steinke et al. D12/180
- D. 337,295 7/1993 Steinke et al. D12/180
- D. 337,296 7/1993 Steinke et al. D12/180
- D. 337,557 7/1993 Steinke et al. D12/180
- D. 337,558 7/1993 Steinke et al. D12/180
- D. 337,559 7/1993 Steinke et al. D12/180
- D. 337,560 7/1993 Steinke et al. D12/180
- D. 337,750 7/1993 Steinke et al. D12/180

- D. 337,981 8/1993 Steinke et al. D12/180
- D. 337,982 8/1993 Steinke et al. D12/180
- D. 338,648 8/1993 Steinke et al. D12/180
- D. 341,120 11/1993 Steinke et al. D12/180
- D. 341,350 11/1993 Steinke et al. D12/180
- D. 341,807 11/1993 Steinke et al. D12/180
- D. 341,808 11/1993 Steinke et al. D12/180
- 4,230,207 10/1980 Stahl 188/73.1
- 4,537,290 8/1985 Evans 188/250 B
- 4,995,482 2/1991 Kobayashi et al. 188/73.1

FOREIGN PATENT DOCUMENTS

- 85830271 5/1986 European Pat. Off. 188/73.1

Primary Examiner—James M. Gandy

Assistant Examiner—M. Brown

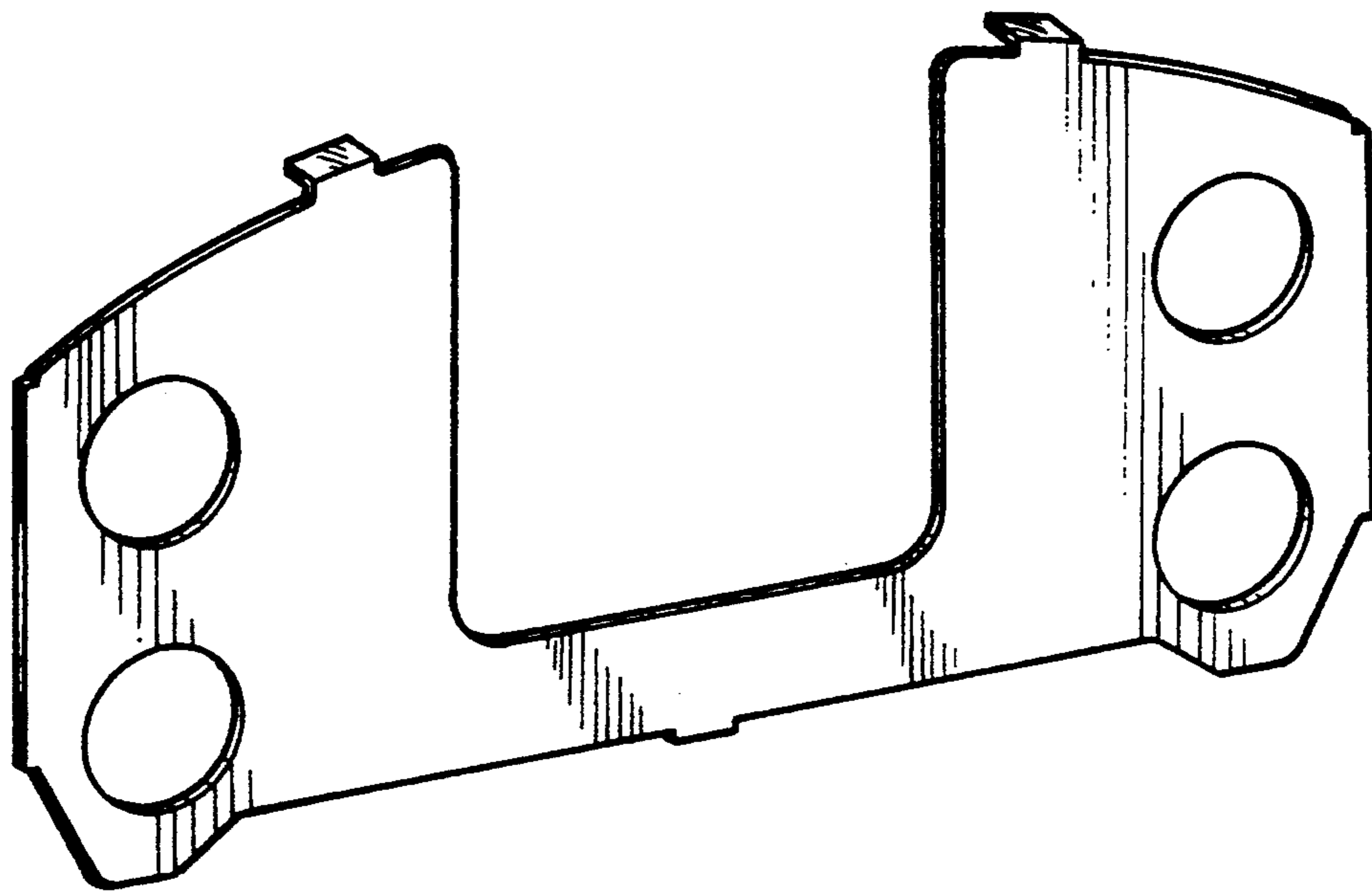
Attorney, Agent, or Firm—Edgar A. Zarins; Malcolm L. Sutherland

[57] **CLAIM**

The ornamental design for a disc brake shim, as shown and described.

DESCRIPTION

FIG. 1 is a perspective view of a disc brake shim showing our new design;
 FIG. 2 is a rear elevational view thereof;
 FIG. 3 is a front elevational view thereof;
 FIG. 4 is a top plan view thereof;
 FIG. 5 is a bottom plan view thereof;
 FIG. 6 is a left side view thereof; and,
 FIG. 7 is a right side view thereof.



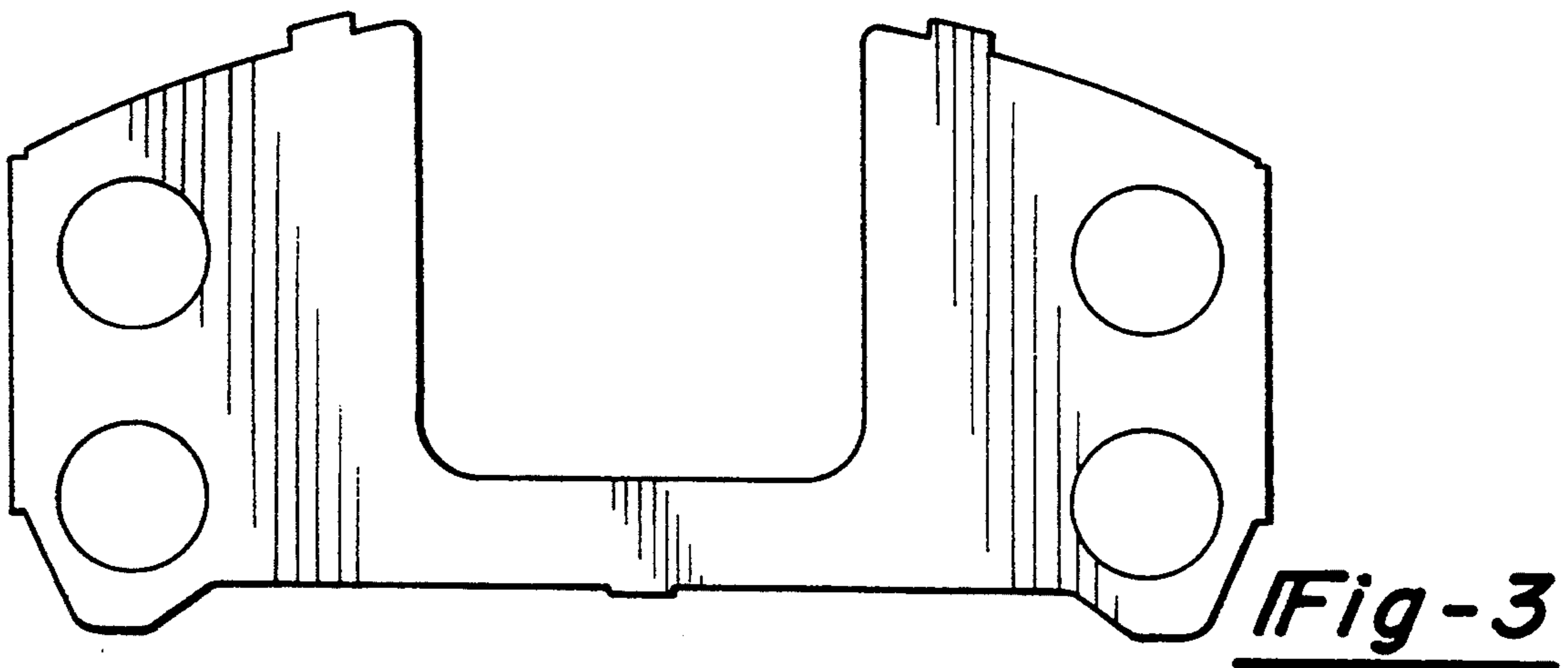
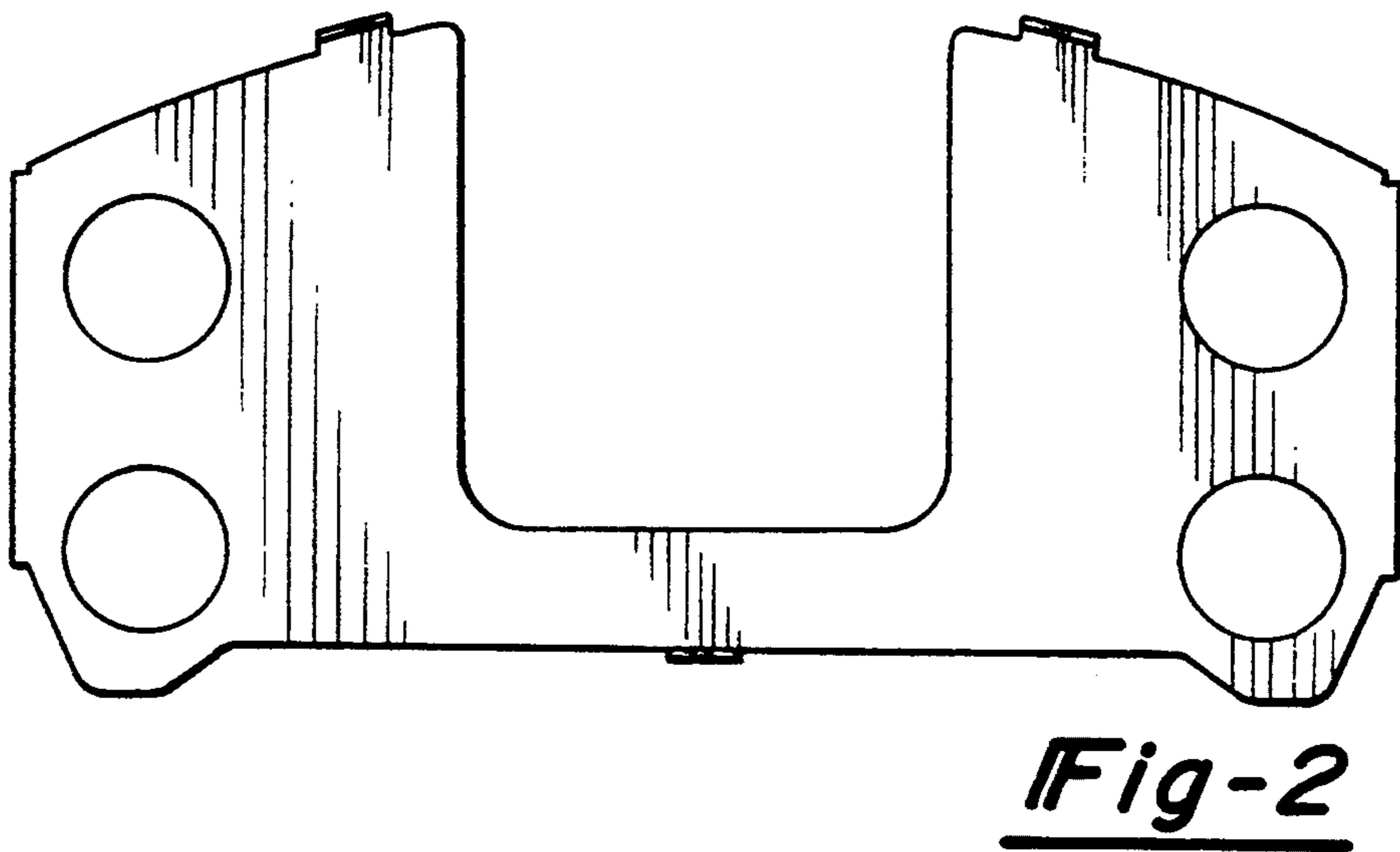
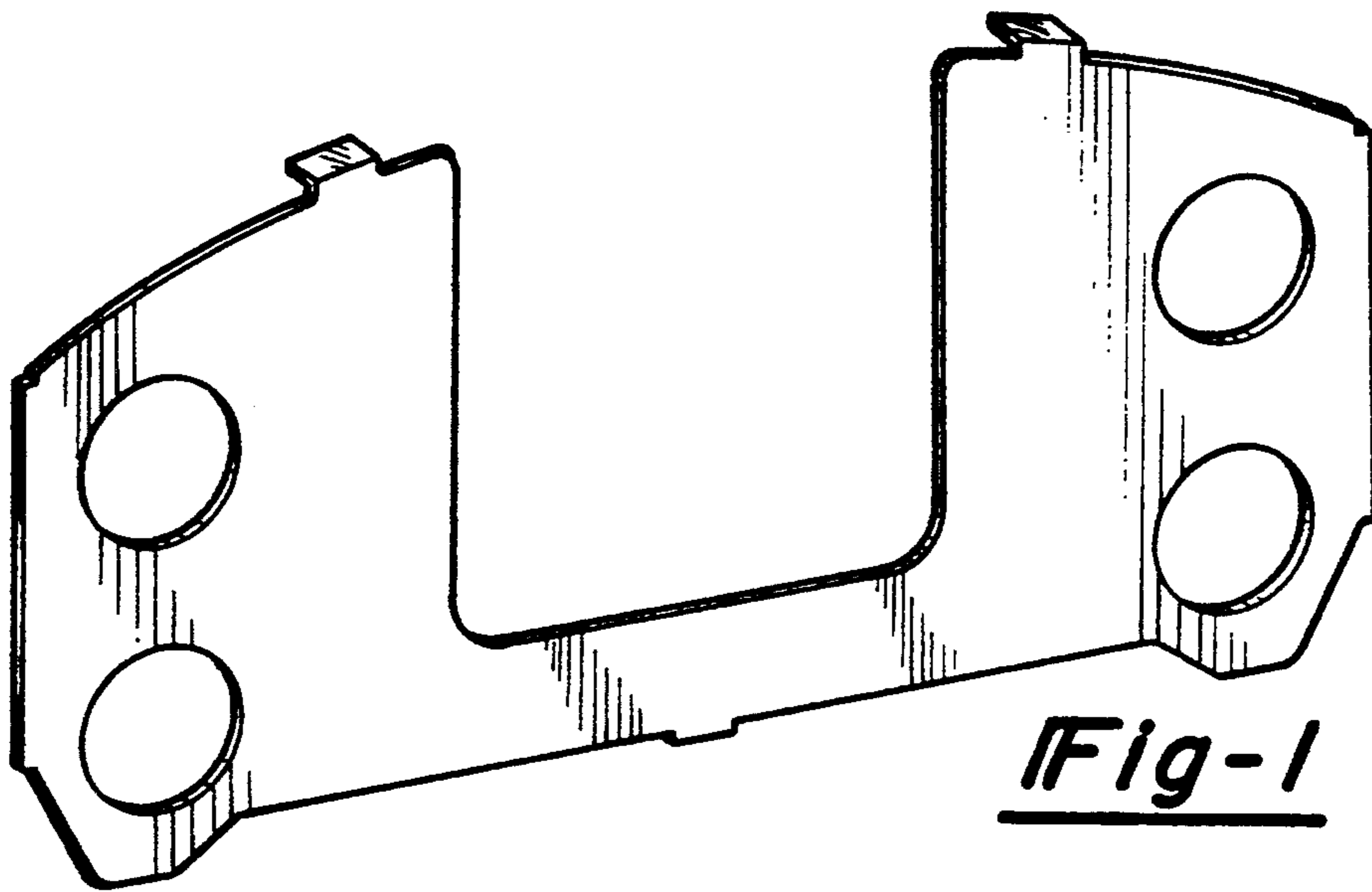




Fig-4



Fig-5



Fig-6



Fig-7