



US00D356528S

United States Patent [19]

[11] Patent Number: **Des. 356,528**

Liu

[45] Date of Patent: **** Mar. 21, 1995**

[54] **BABY CARRIAGE HAVING A FOLDABLE SUPPORT**

Primary Examiner—Kay H. Chin

[76] Inventor: **Yung-Hsin Liu**, P.O. Box 1750,
Taichung, Taiwan, Prov. of China

[57] **CLAIM**

The ornamental design for a baby carriage having a foldable support, as shown and described.

[**] Term: **14 Years**

DESCRIPTION

[21] Appl. No.: **6,991**

FIG. 1 is a perspective view of a baby carriage having a foldable support showing my new design;
FIG. 2 is a front elevational view thereof;
FIG. 3 is a rear elevational view thereof;
FIG. 4 is a top plan view thereof;
FIG. 5 is a bottom plan view thereof;
FIG. 6 is a left side elevational view thereof;
FIG. 7 is a right side elevational view thereof;
FIG. 8 is a perspective view thereof, showing the back support frame in an another position; and,
FIG. 9 is a perspective view thereof, showing the carriage in a folded condition.

[22] Filed: **Apr. 12, 1993**

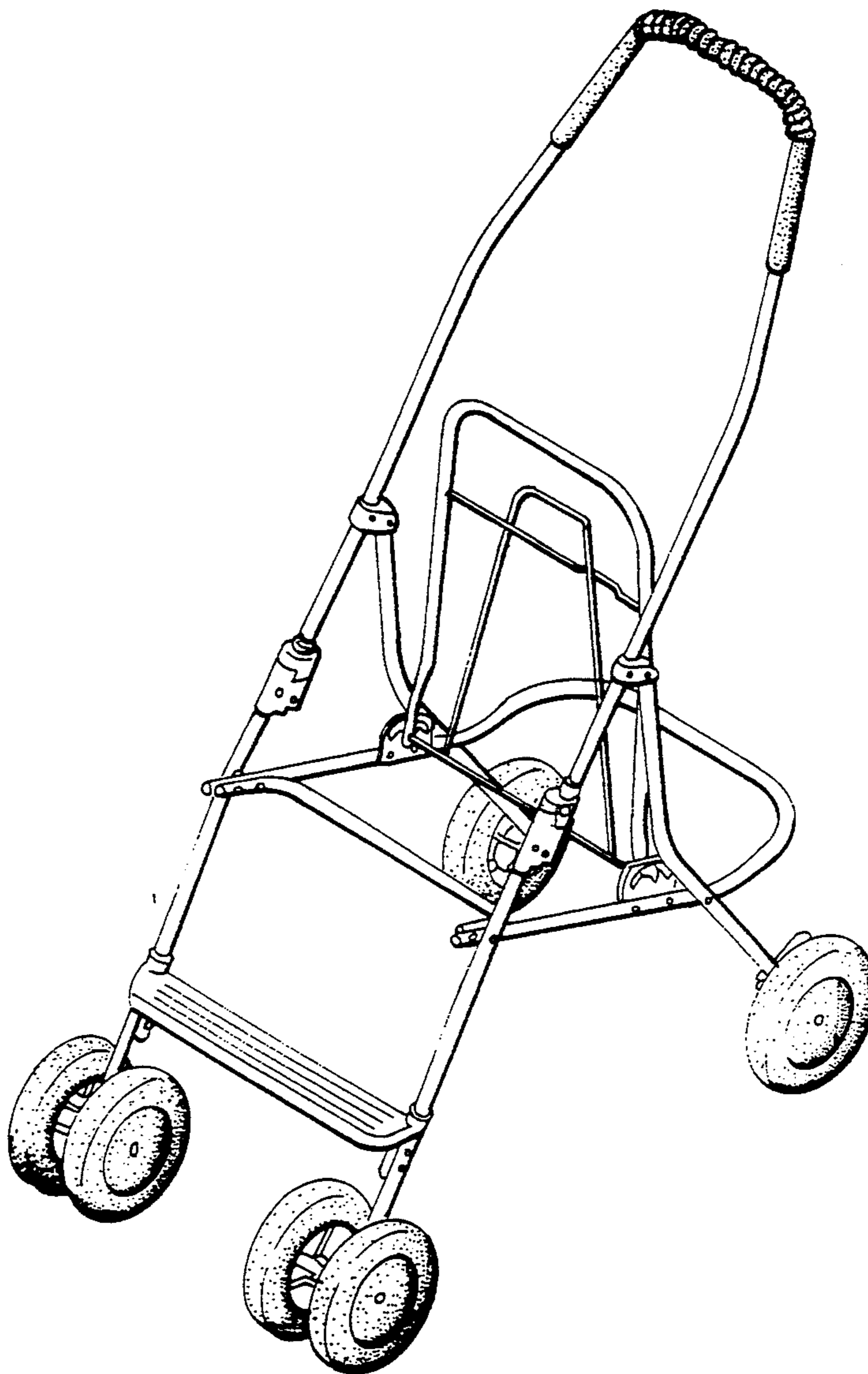
[52] U.S. Cl. **D12/129; D12/128**

[58] Field of Search **D12/128, 129; 280/642, 280/650, 658, 47.4, 644, 647**

[56] **References Cited**

U.S. PATENT DOCUMENTS

4,741,551	5/1988	Perego	280/642
4,907,818	3/1990	Chai	280/642
5,205,578	4/1993	Liu	280/642



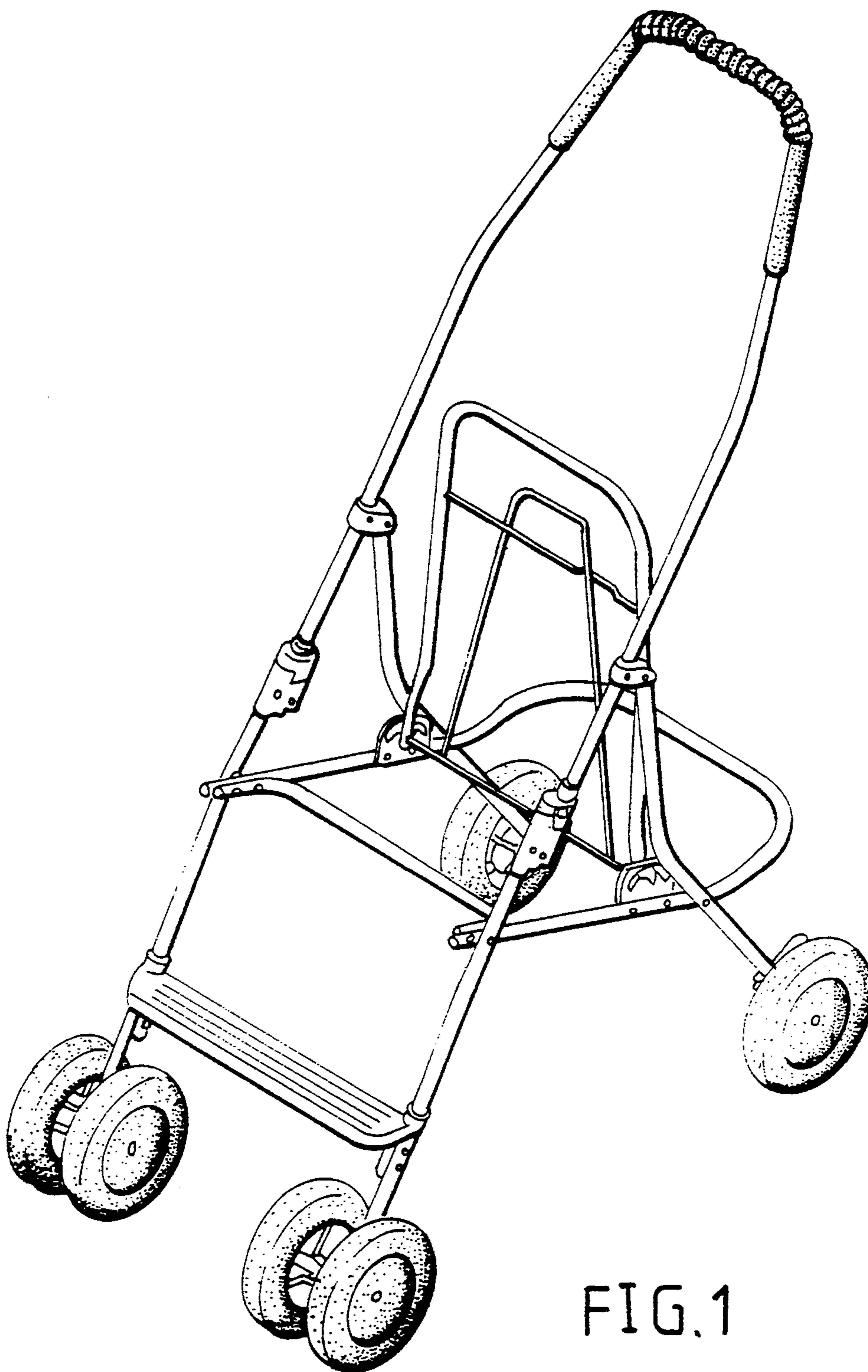


FIG. 1

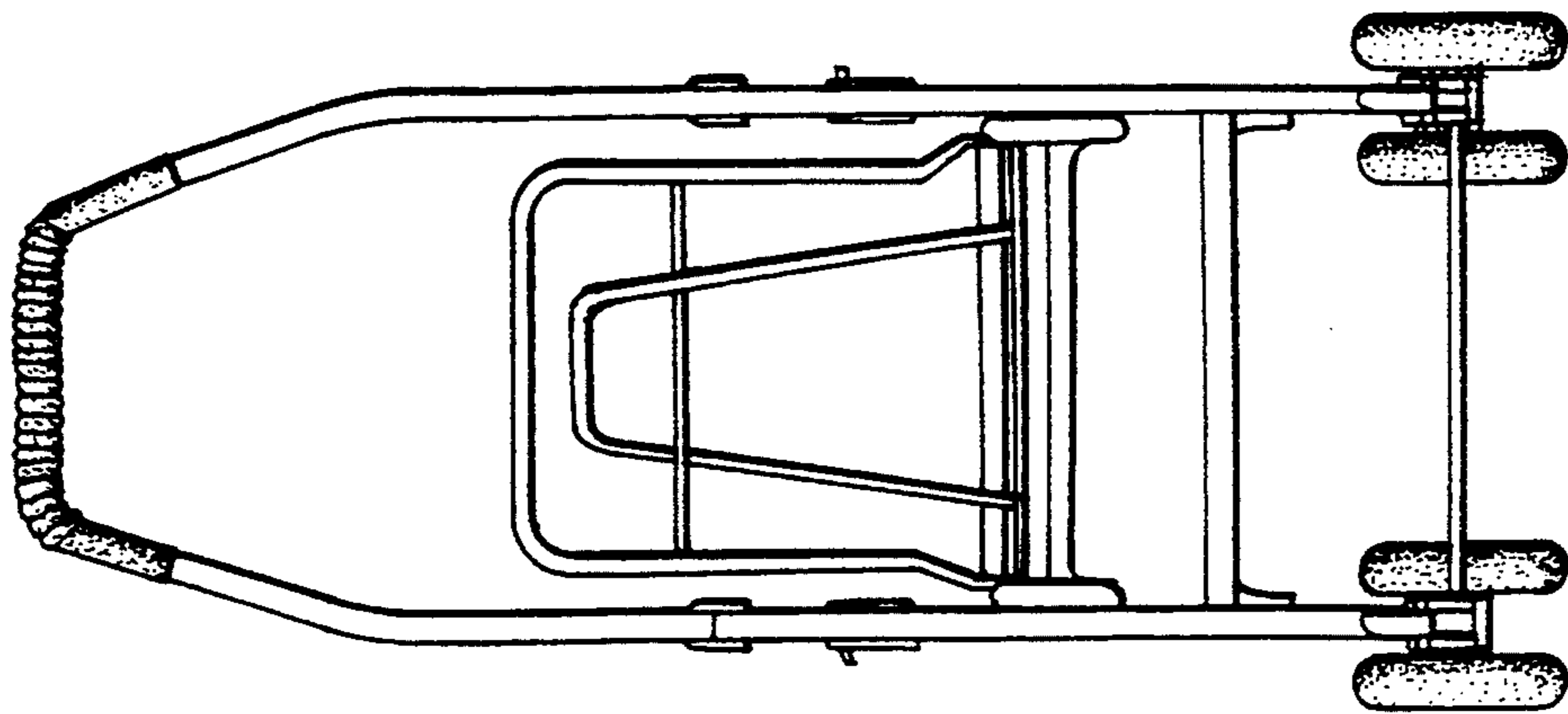


FIG.3

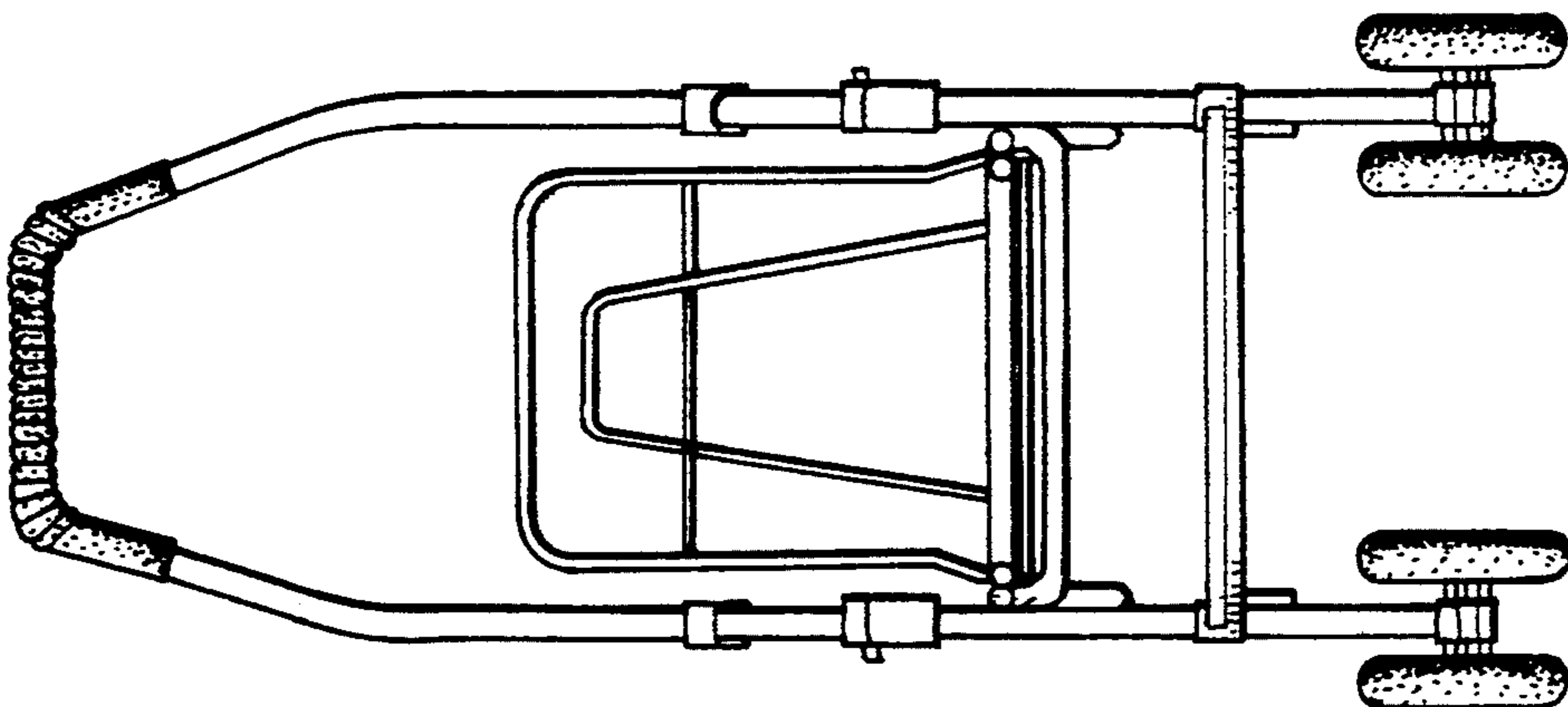


FIG.2

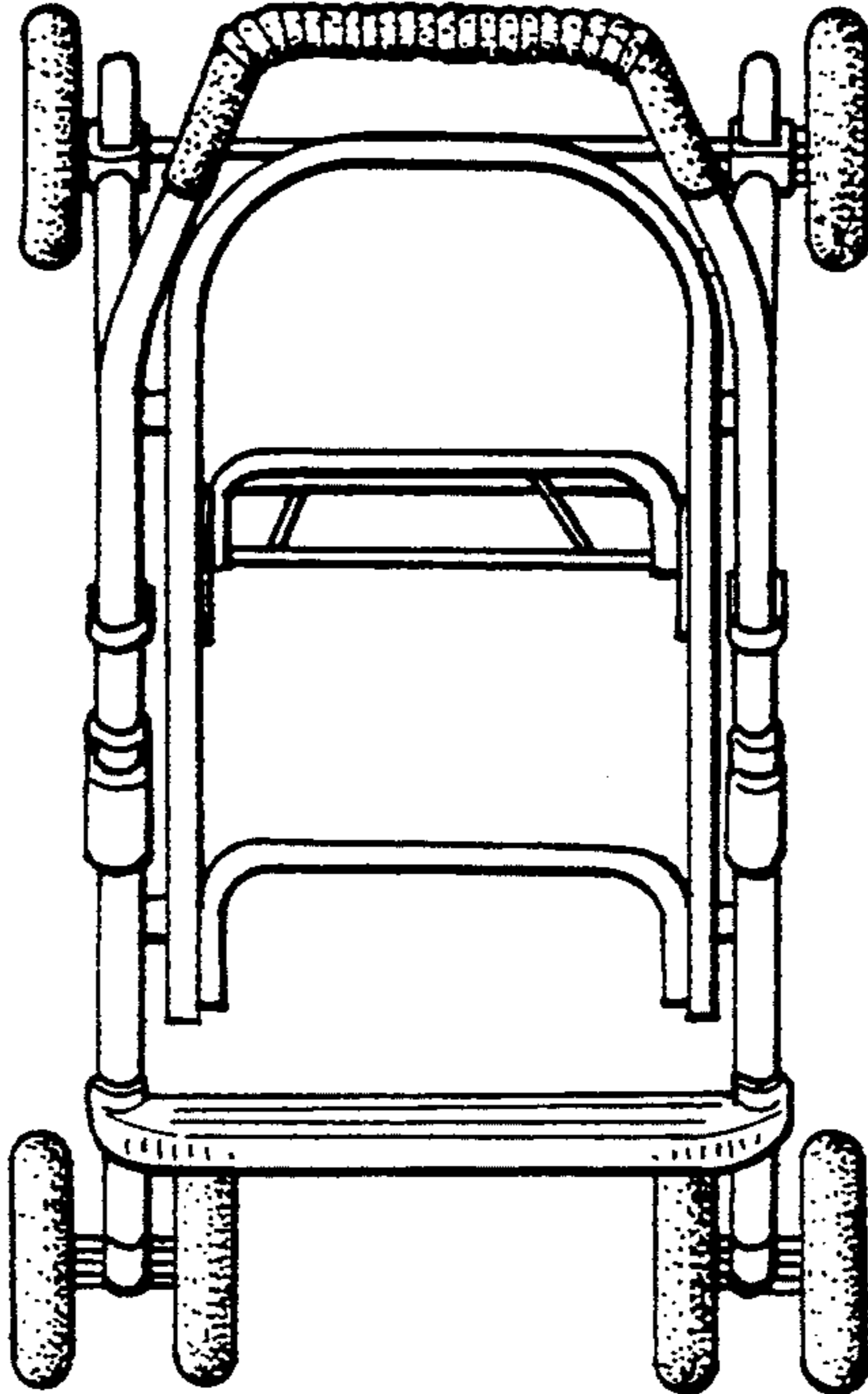


FIG. 4

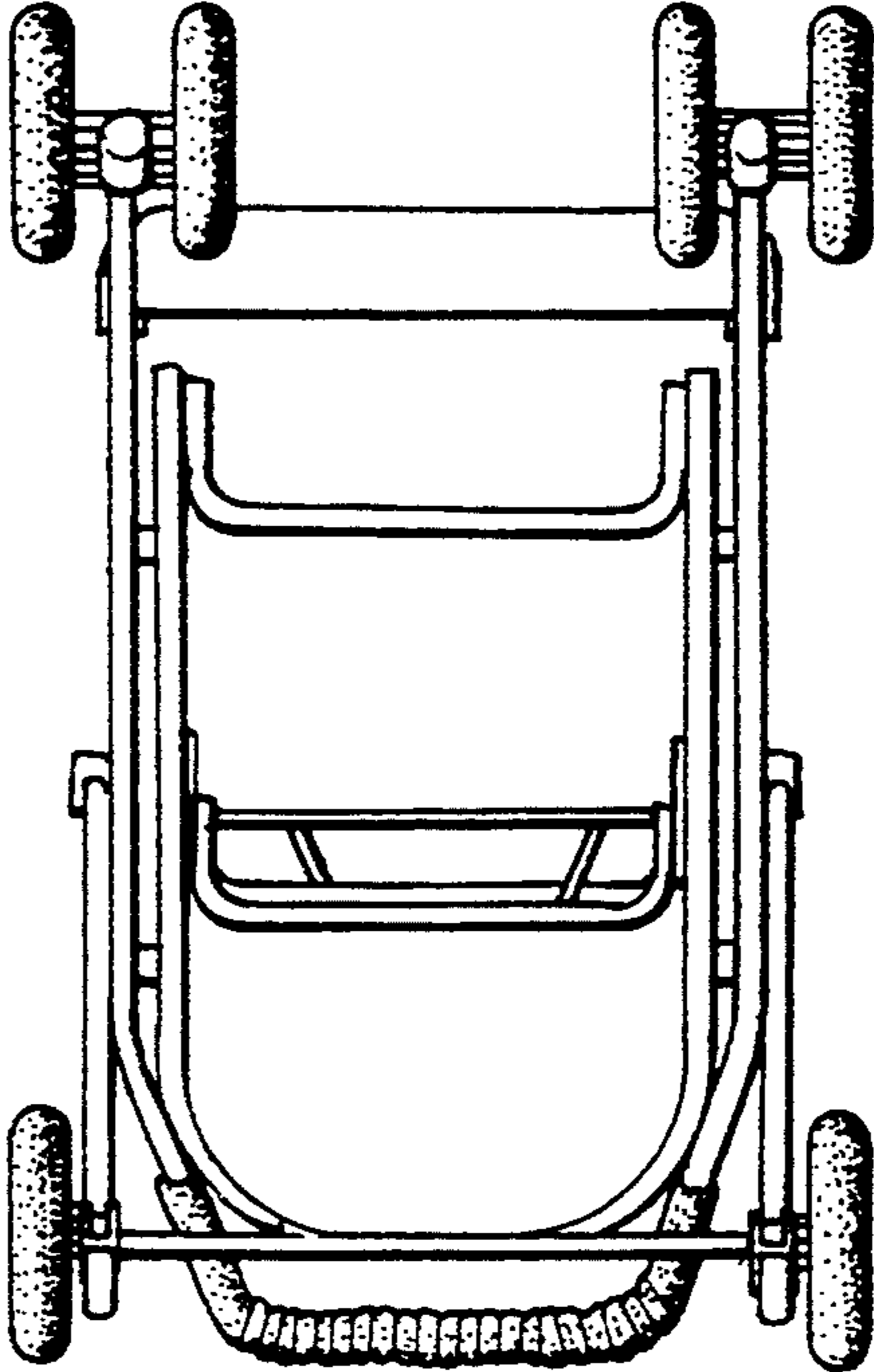


FIG. 5

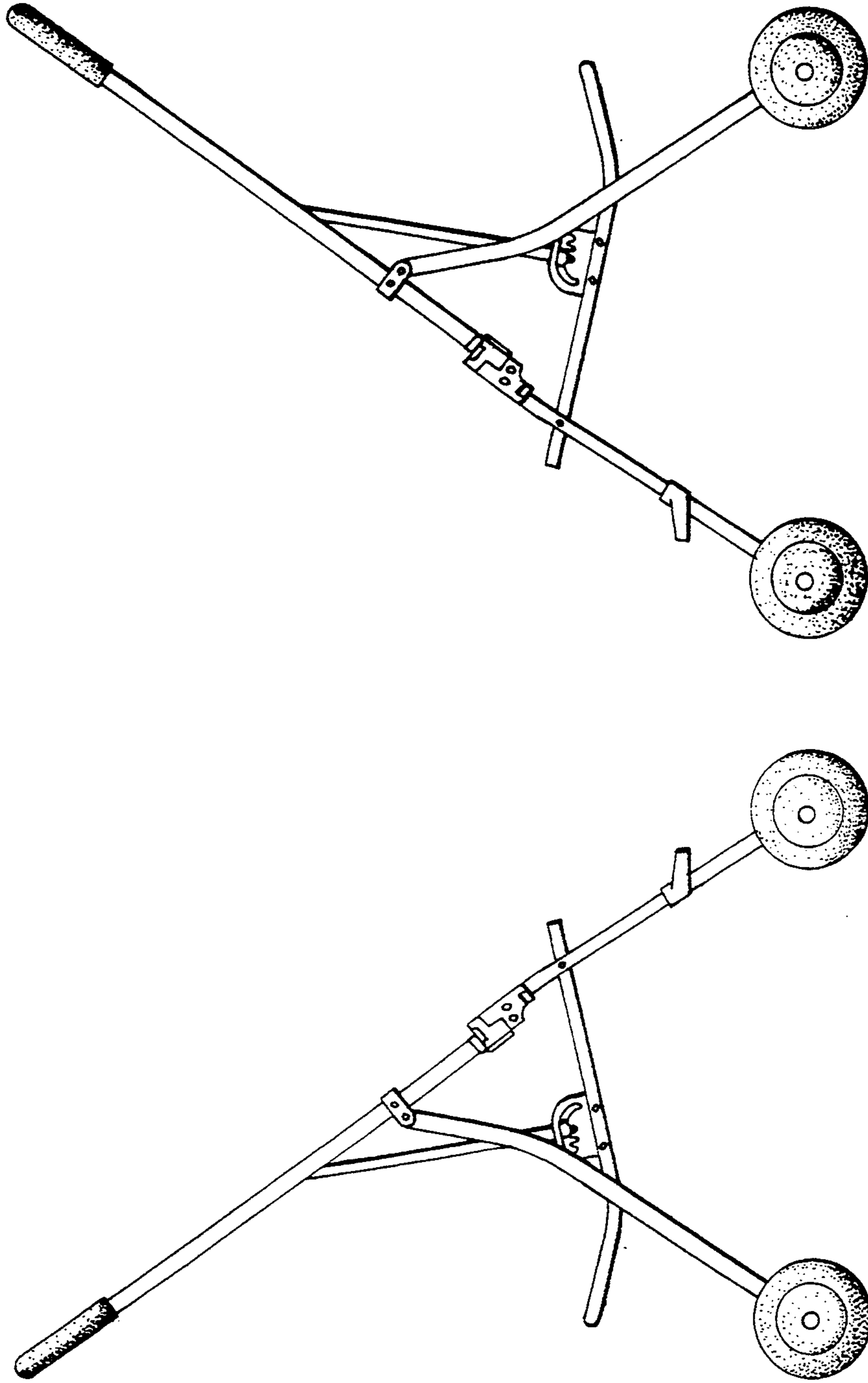


FIG.6

FIG.7

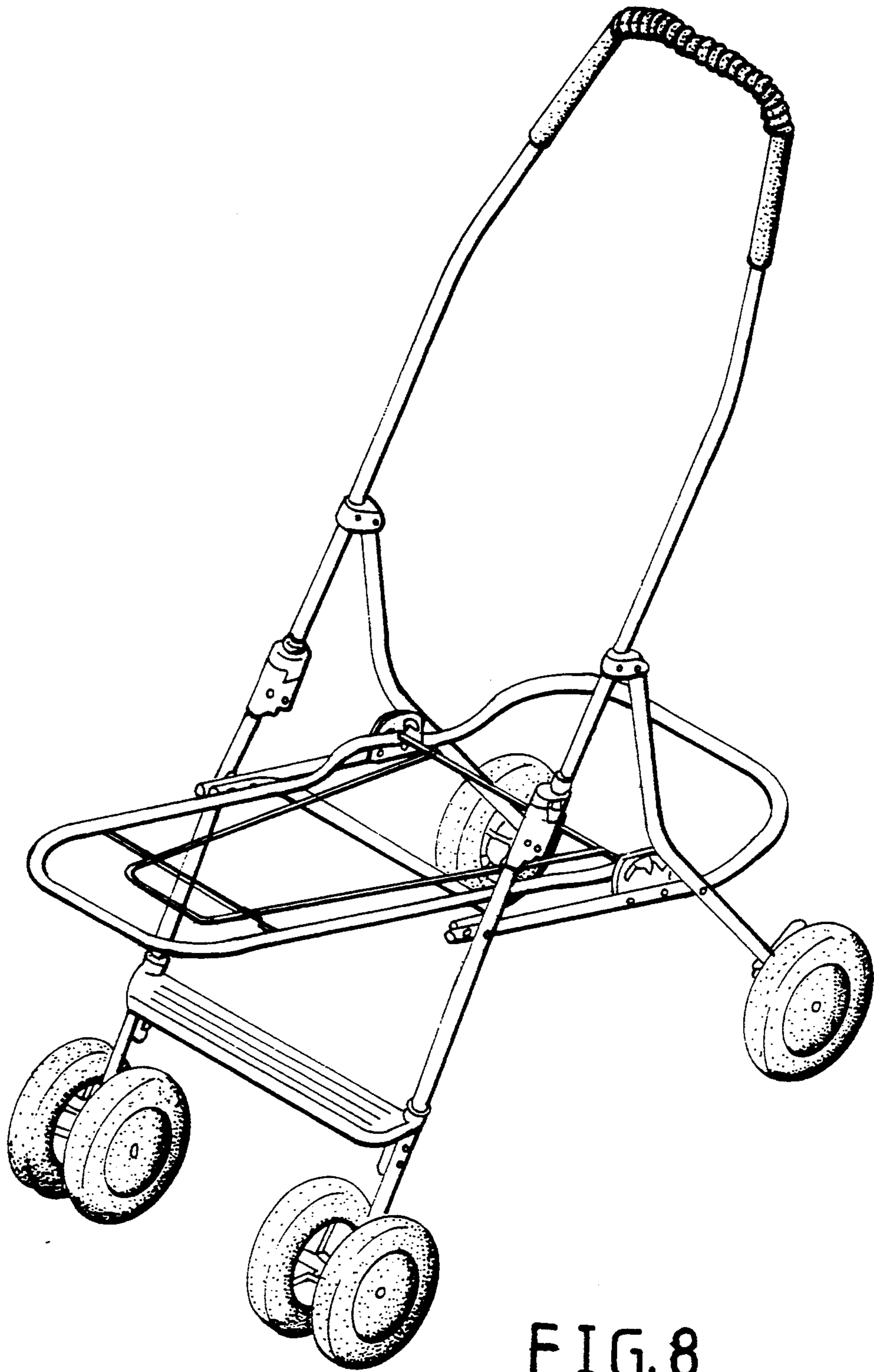


FIG. 8

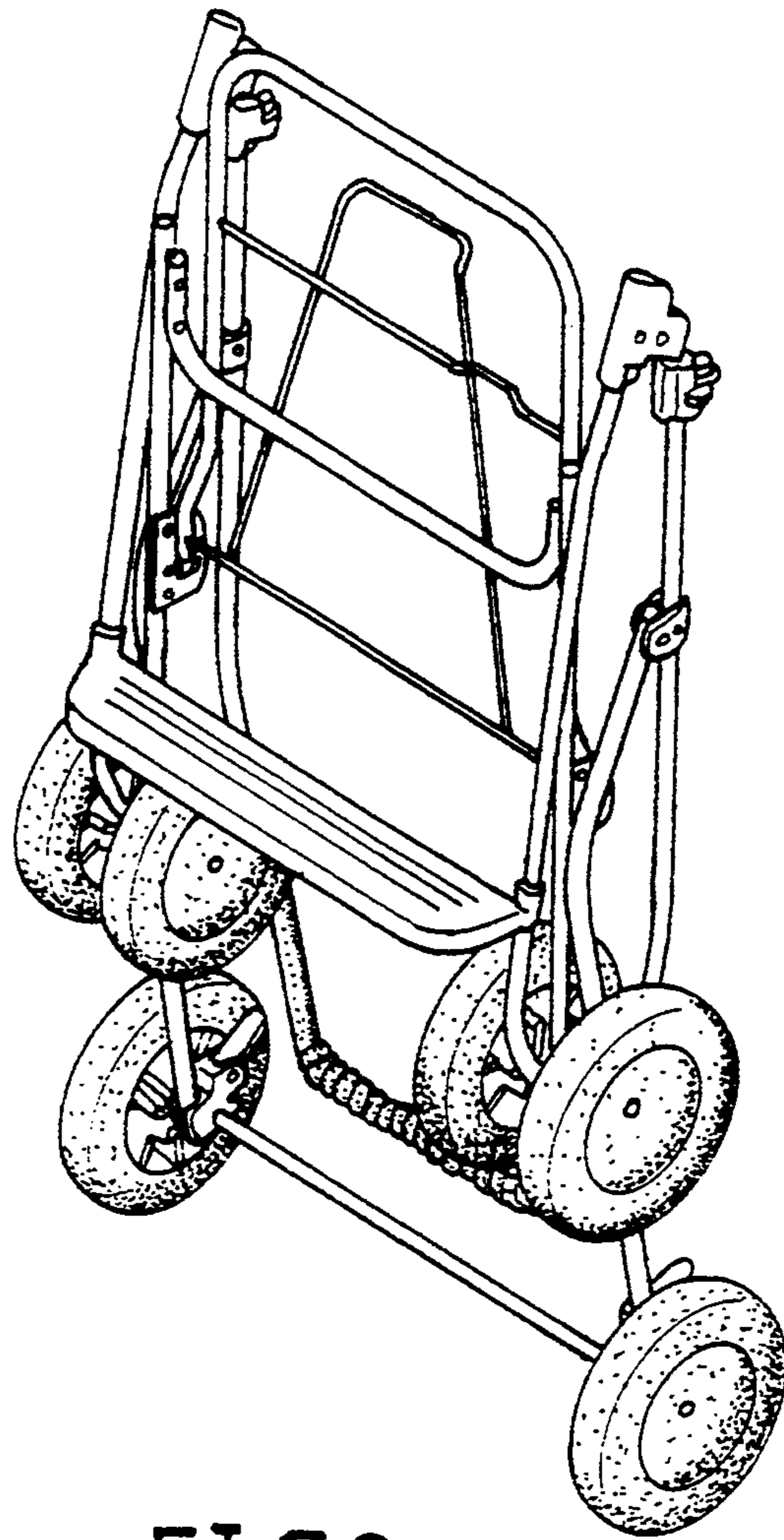


FIG. 9