



US00D356527S

United States Patent [19]

[11] Patent Number: **Des. 356,527**

Wohnsen et al.

[45] Date of Patent: **** Mar. 21, 1995**

[54] **MULTI-POSITION BODY SUPPORT**

[75] Inventors: **Kristine F. Wohnsen; Sam J. Camardello**, both of Dolgeville; **Elsie M. Bussey**, Bay Shore, all of N.Y.

[73] Assignee: **Bissell Inc.**, Grand Rapids, Mich.

[**] Term: **14 Years**

[21] Appl. No.: **8,363**

[22] Filed: **May 14, 1993**

[52] U.S. Cl. **D12/128; D12/132; D24/190**

[58] Field of Search **D12/128, 131, 132; 5/81.1, 83.1, 86.1; 602/5; D24/190**

[56] **References Cited**

U.S. PATENT DOCUMENTS

D. 347,604	6/1994	Ernst et al.	D12/128
4,029,089	6/1977	Mulholland	602/5
5,001,789	3/1991	Schoenberger	5/81.1
5,265,689	11/1993	Kauffmann	5/81.1

Primary Examiner—Kay H. Chin

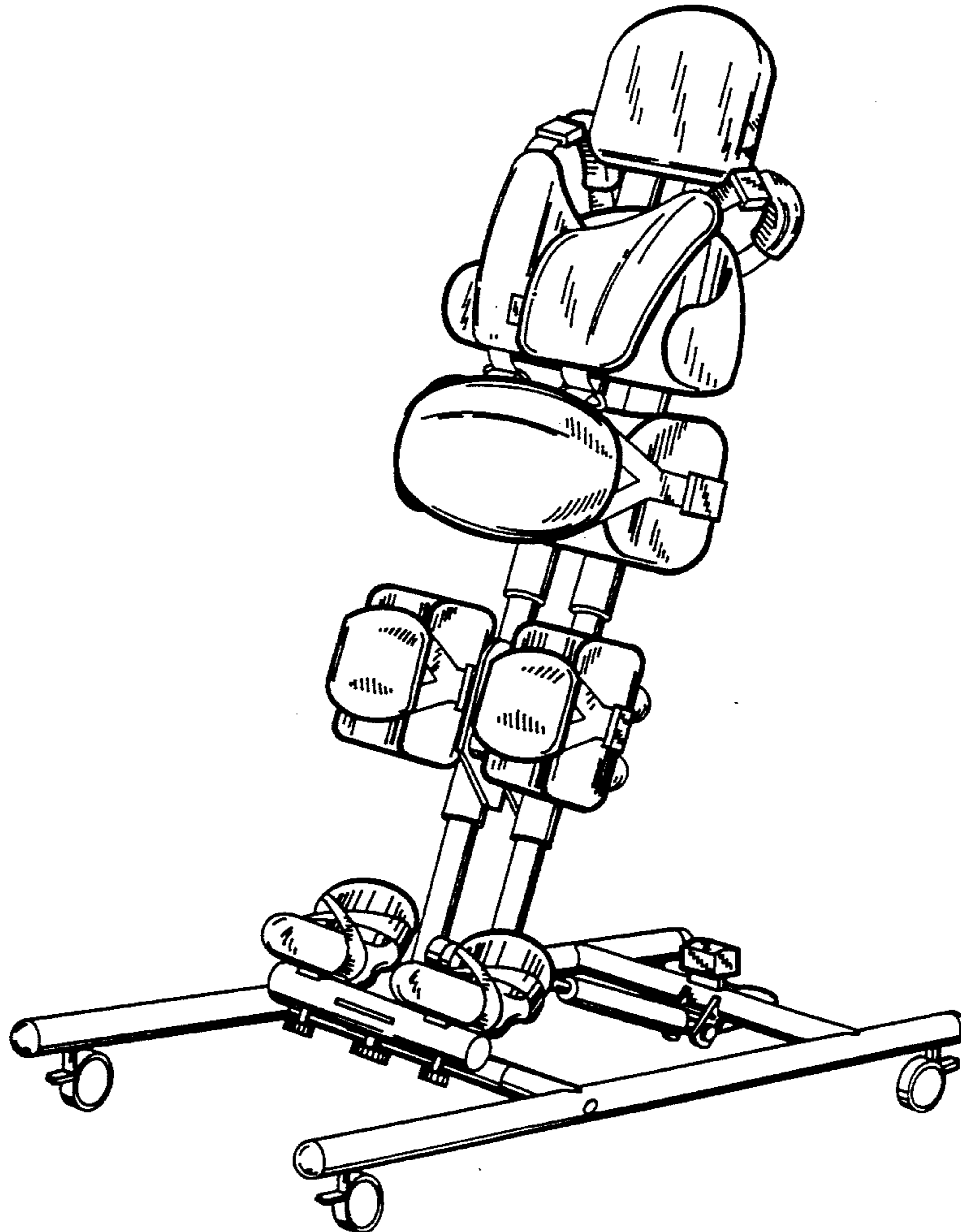
Attorney, Agent, or Firm—Varnum, Riddering, Schmidt & Howlett

[57] **CLAIM**

The ornamental design for a multi-position body support, as shown and described.

DESCRIPTION

FIG. 1 is a perspective view of a multi-position body support, which embodies our design;
 FIG. 2 is a front elevational view thereof;
 FIG. 3 is a rear elevational view thereof;
 FIG. 4 is a right side elevational view thereof and which the left side elevational view is a mirror image;
 FIG. 5 is a plan view thereof;
 FIG. 6 is a bottom view thereof;
 FIG. 7 is a perspective view of a second embodiment of a multi-position body support, which embodies our design;
 FIG. 8 is a front elevational view thereof;
 FIG. 9 is a rear elevational view thereof;
 FIG. 10 is a right side elevational view thereof and which the left side elevational view is a mirror image;
 FIG. 11 is a plan view thereof; and,
 FIG. 12 is a bottom view thereof.



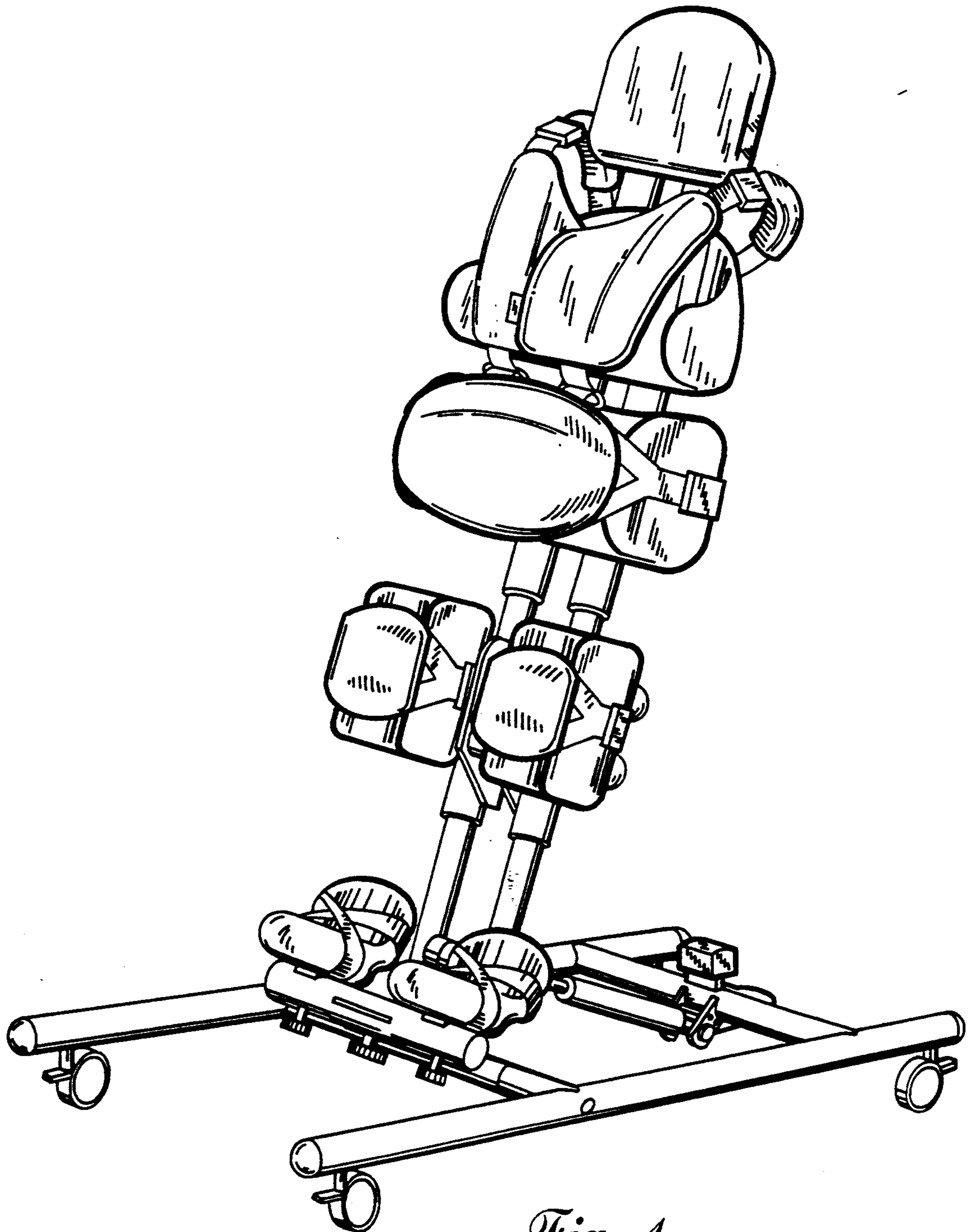


Fig. 1

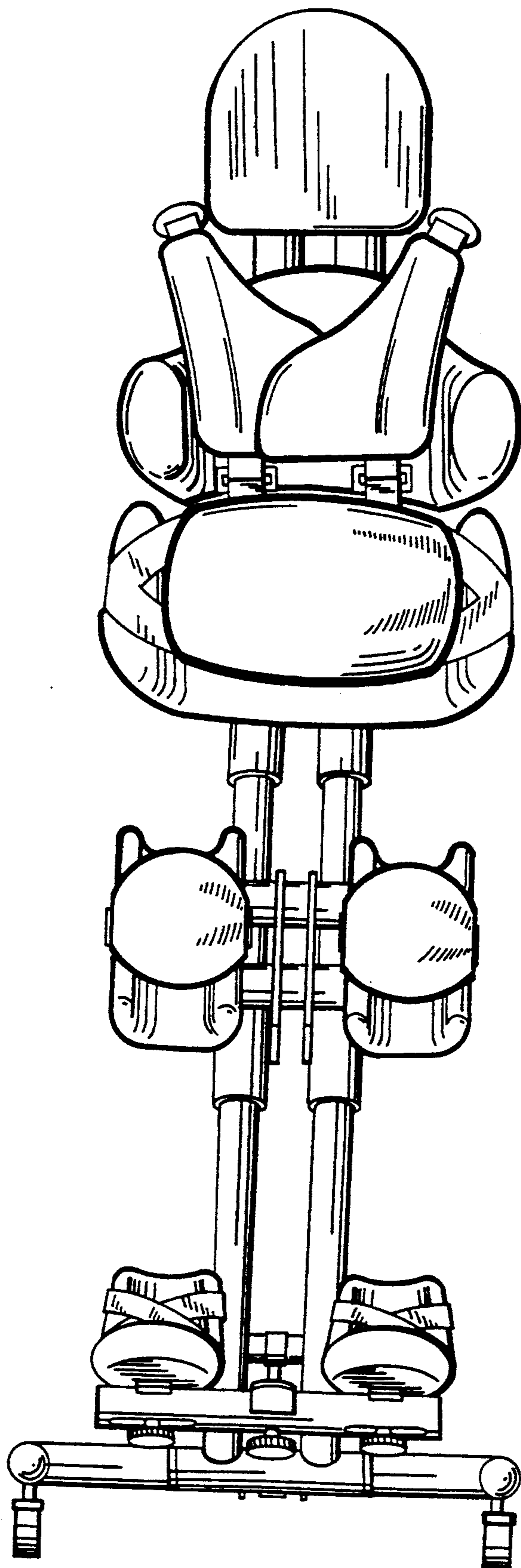


Fig. 2

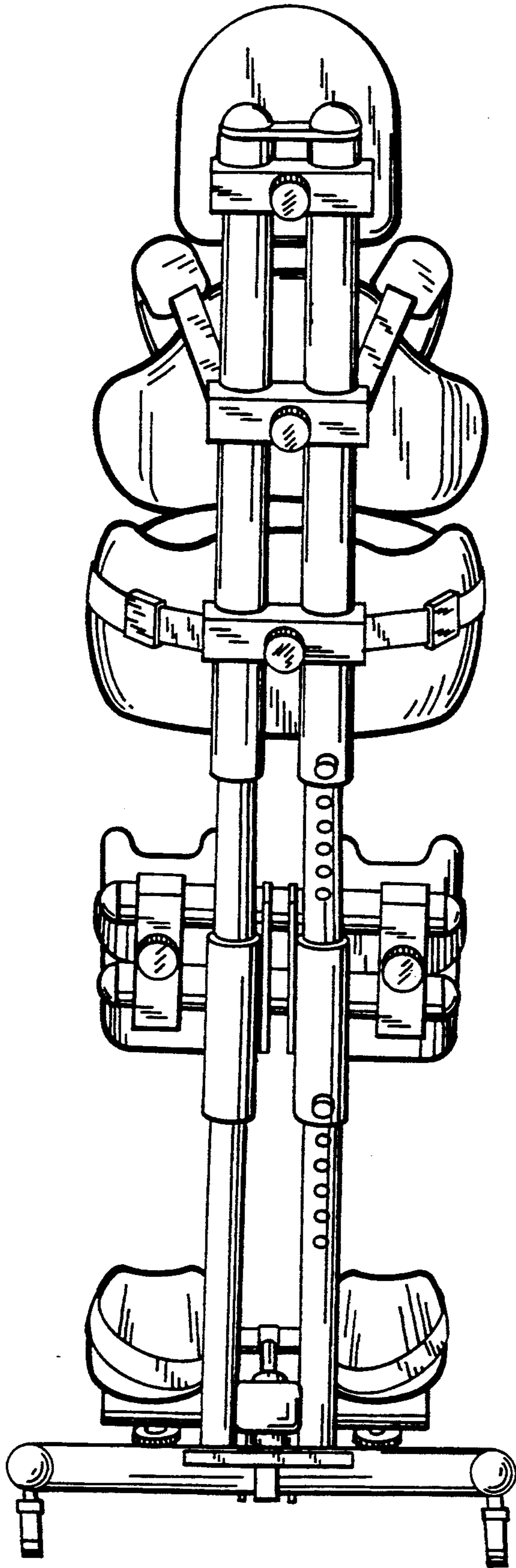


Fig. 3

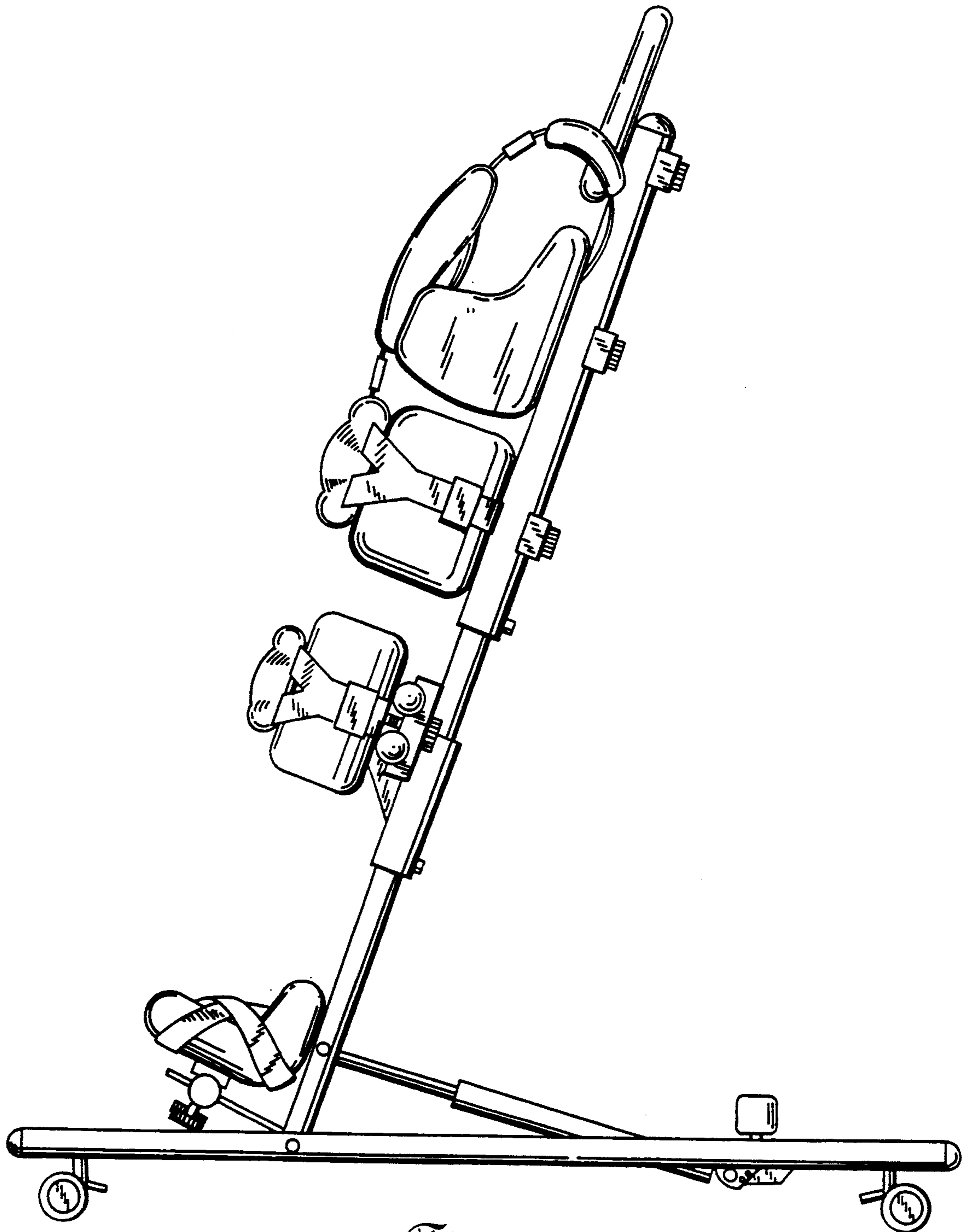


Fig. 4

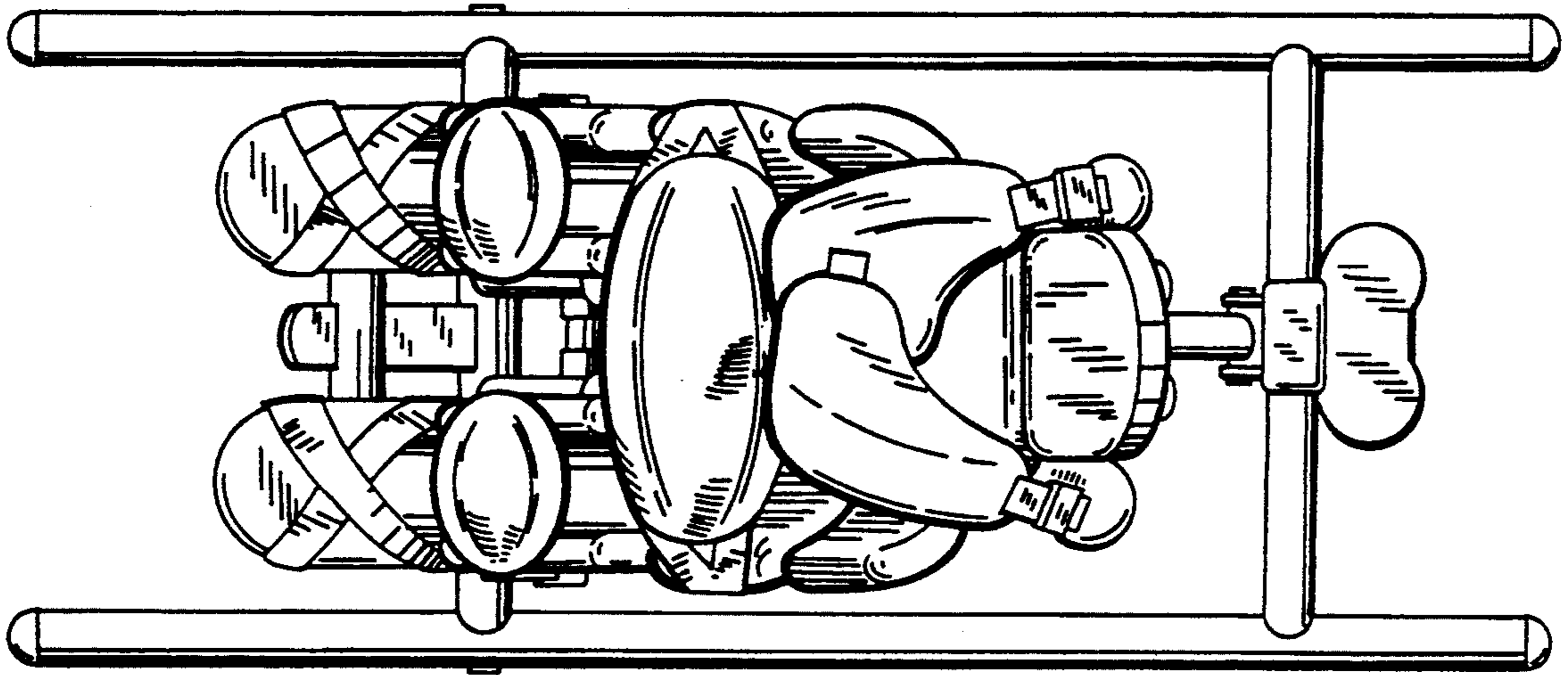


Fig. 5

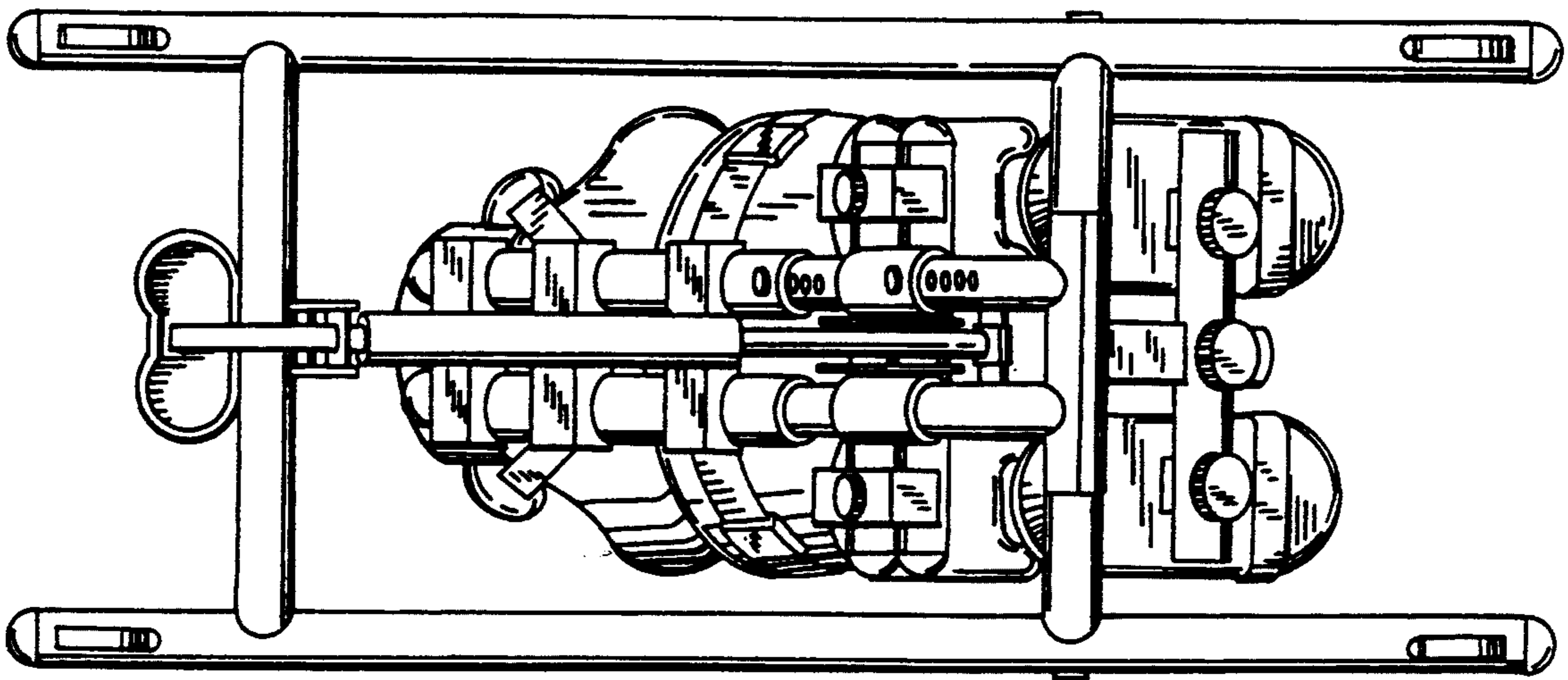


Fig. 6

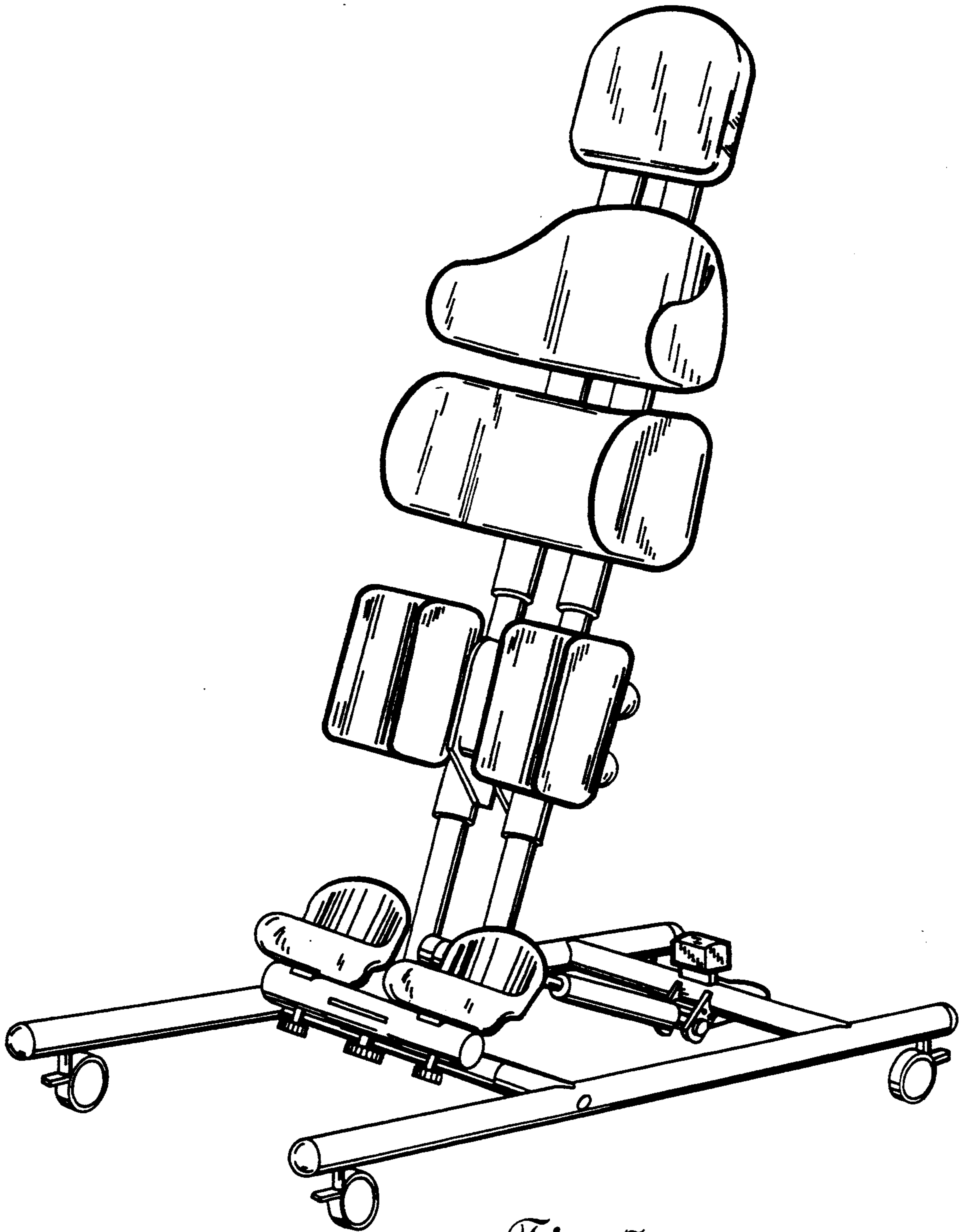


Fig. 7

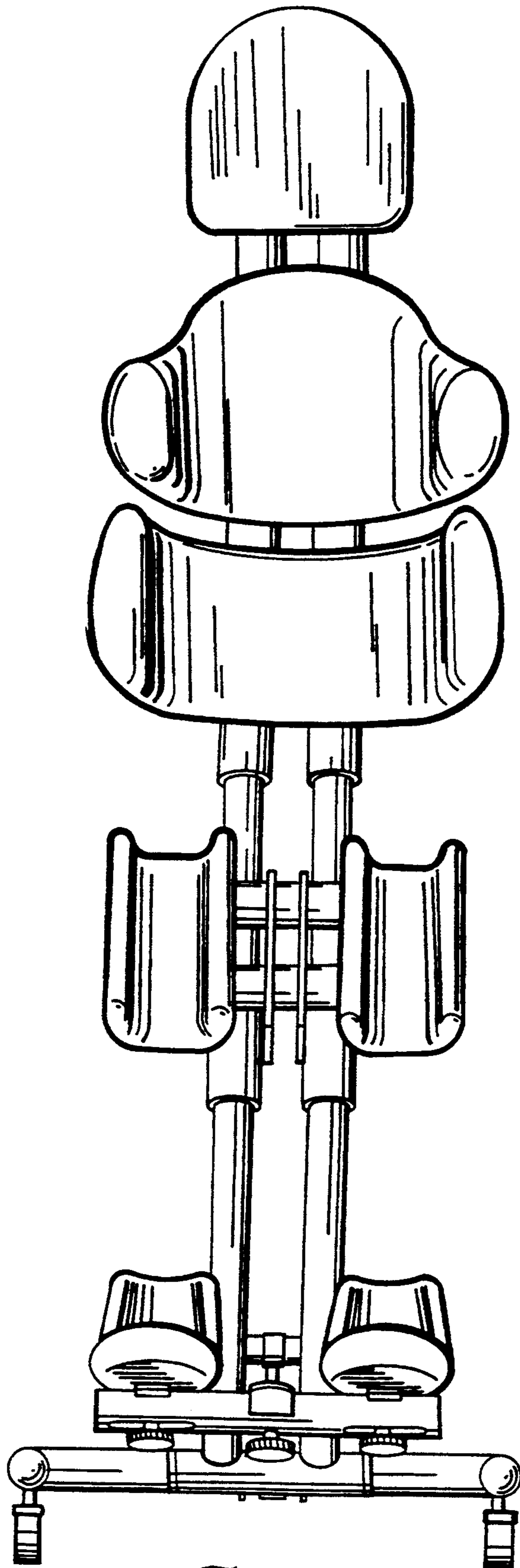


Fig. 8

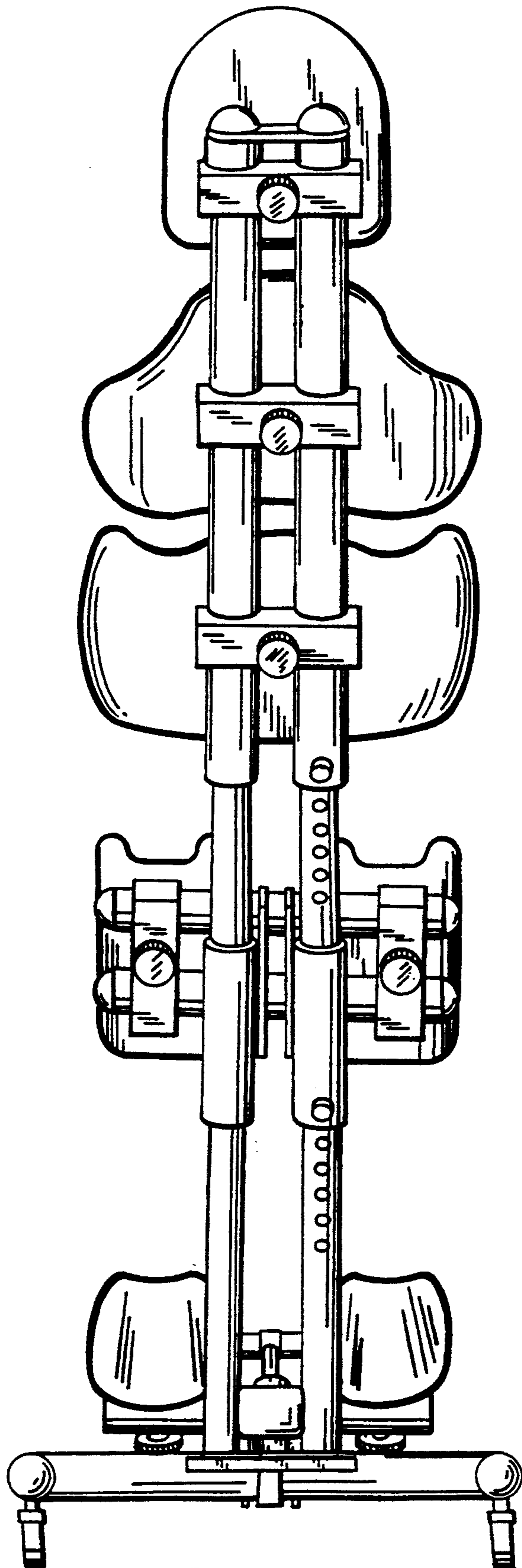


Fig. 9

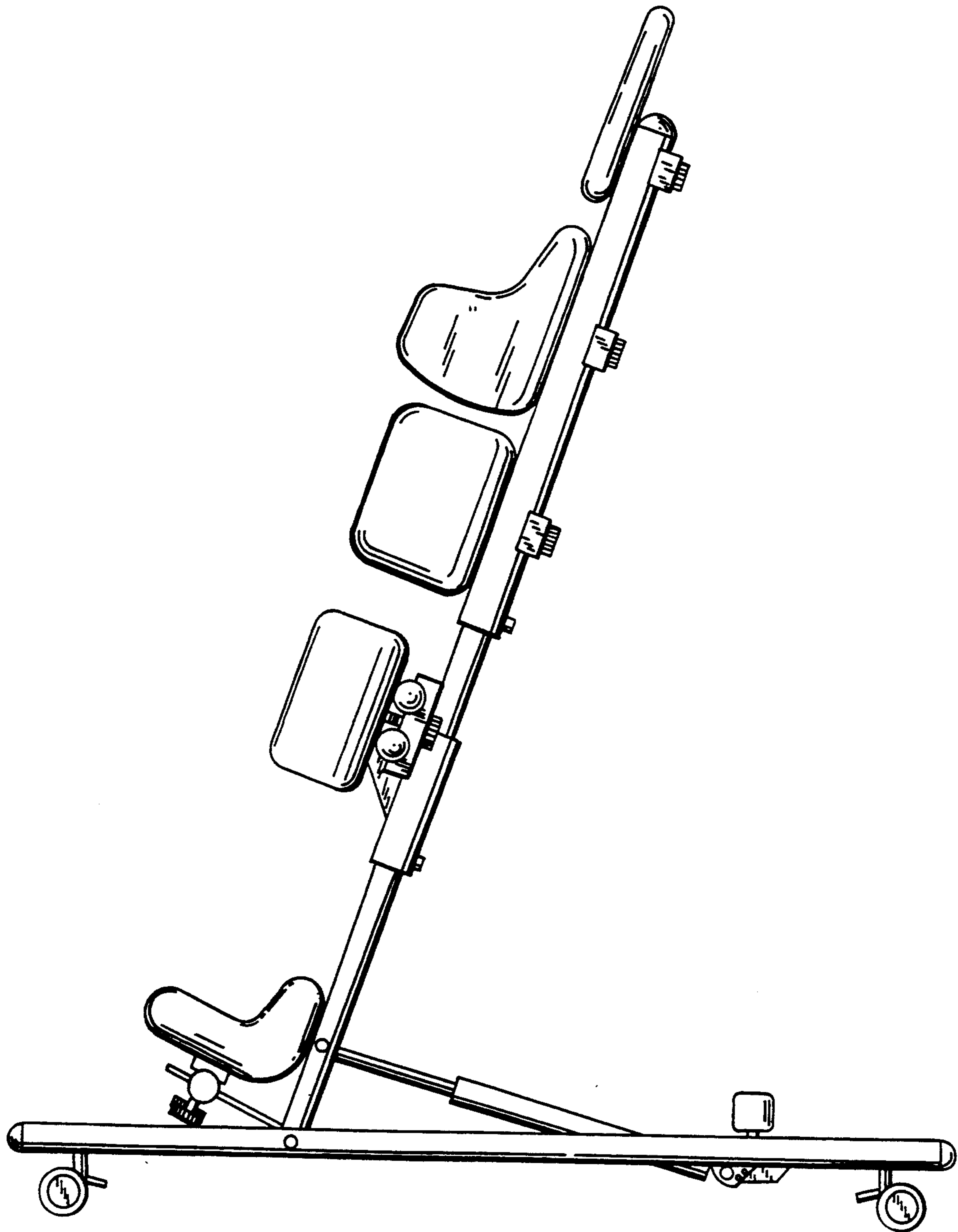


Fig. 10

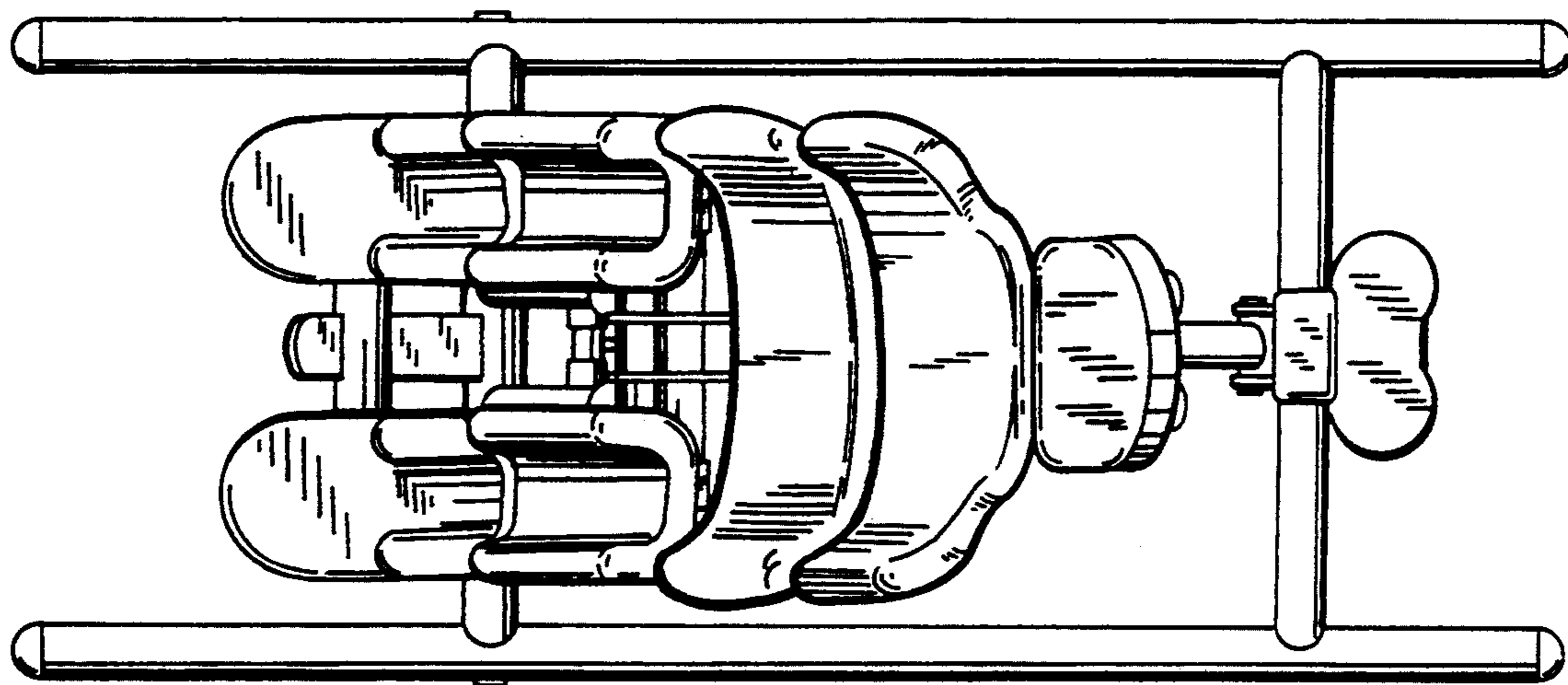


Fig. 11

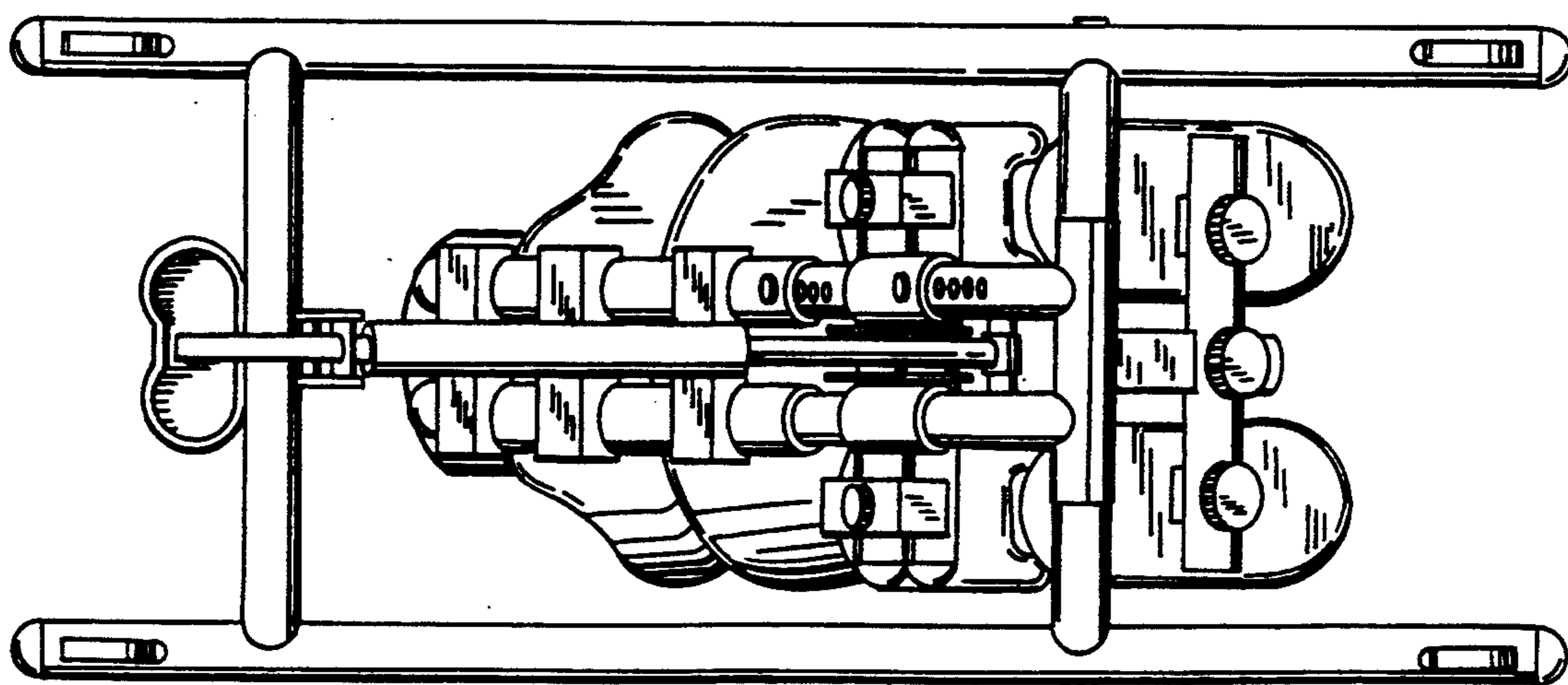


Fig. 12