



US00D356518S

# United States Patent [19]

[11] Patent Number: **Des. 356,518**

**Arsenault**

[45] Date of Patent: **\*\* Mar. 21, 1995**

## [54] HOCKEY STICK CLOCK HANDS

## OTHER PUBLICATIONS

[76] Inventor: **Michel M. Arsenault**, 2759 Carousel Crescent, Apt. 1111, Gloucester, Ontario, Canada, K1T 2N5

*Intials-Gift Catalog*-date not available-pre 1994-p. 29-Item "H" at right.

*Housewares*-Apr. 1976-p. 12-Clock at top-right.

[\*\*] Term: **14 Years**

*Primary Examiner*-Nelson C. Holtje

*Attorney, Agent, or Firm*-Pascal & Associates

[21] Appl. No.: **5,557**

## [57] CLAIM

[22] Filed: **Mar. 5, 1993**

The ornamental design for hockey stick clock hands, as shown and described.

[52] U.S. Cl. .... **D10/122; D10/6**

[58] Field of Search ..... **D10/1-40, D10/122-132; 368/223, 228, 285**

## DESCRIPTION

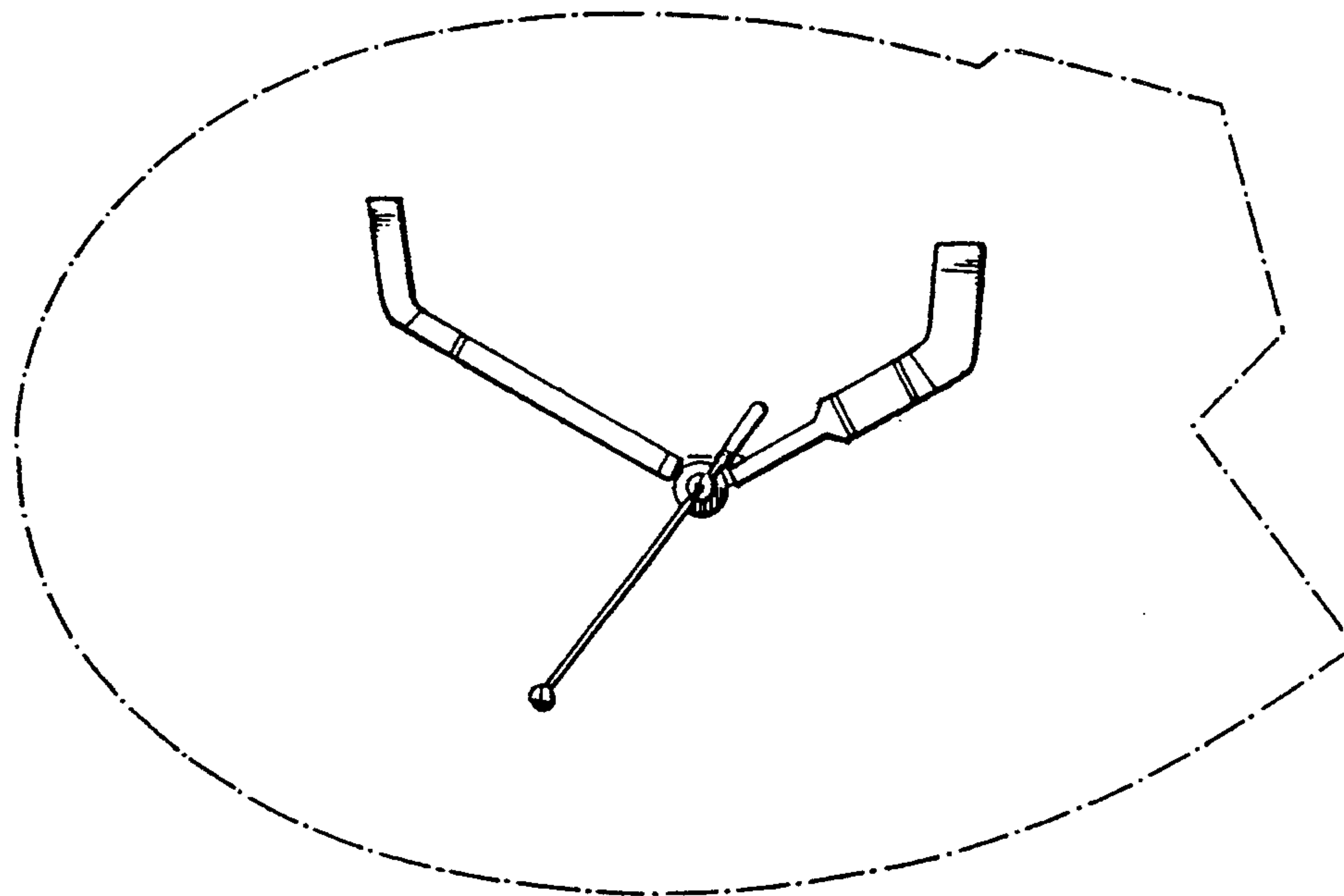
The sole FIGURE is a front elevational view of hockey stick clock hands showing my new design.

The hands shown are conventionally flat and of no appreciable thickness and the broken line showing of a clock face is for illustrative purposes only, and forms no part of the claimed design.

## [56] References Cited

### U.S. PATENT DOCUMENTS

D. 175,465 8/1955 Gilson ..... D10/6 X



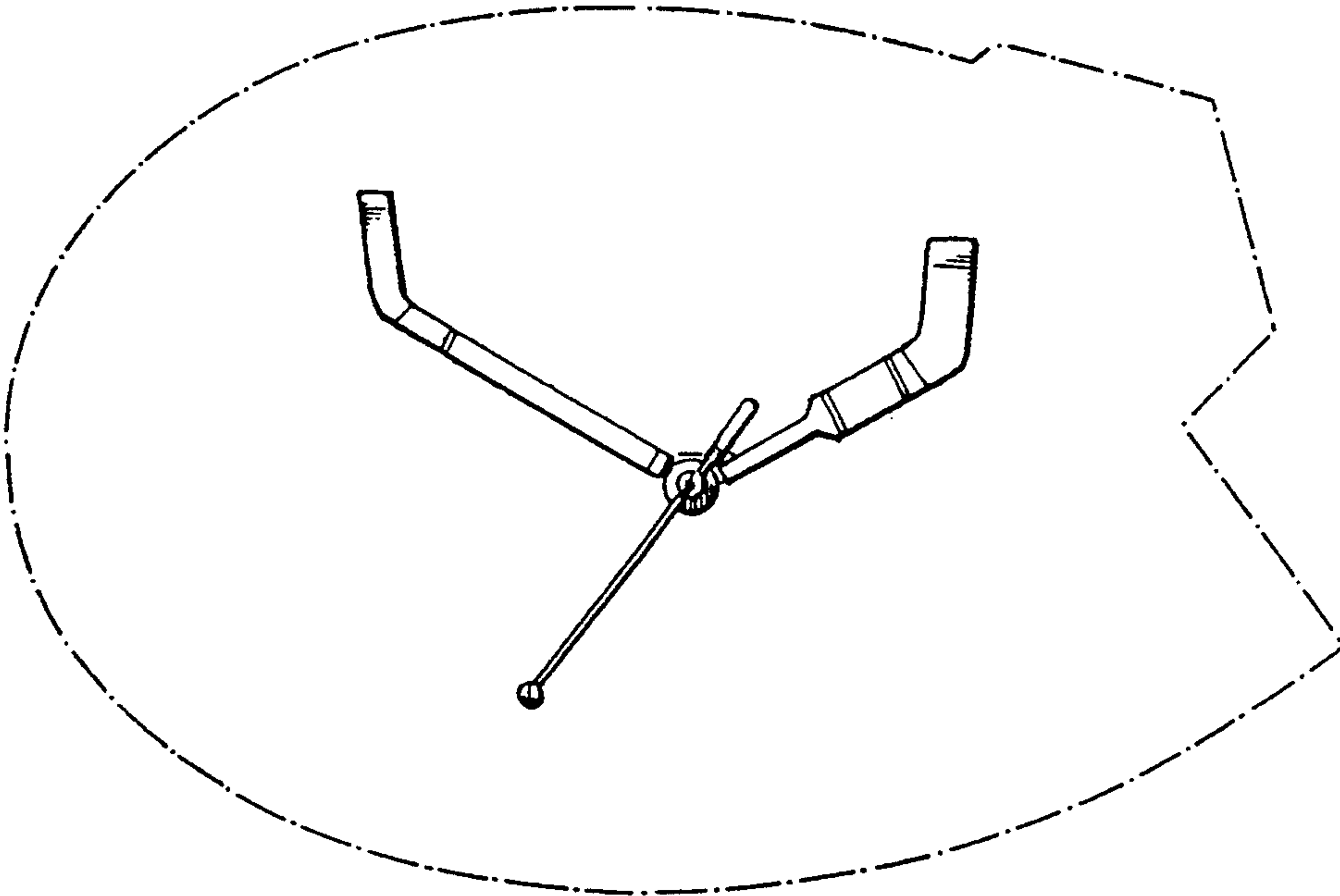


FIG. 1