



US00D356514S

United States Patent [19]

[11] Patent Number: **Des. 356,514**

Sun

[45] Date of Patent: **** Mar. 21, 1995**

[54] **RULER**

[76] Inventor: **Hua-Yin Sun**, 7Fl., No.9-4, Lane 81, Sec. 7, Chung San N. Rd., Taipei, Taiwan, Prov. of China

[**] Term: **14 Years**

[21] Appl. No.: **14,916**

[22] Filed: **Nov. 3, 1993**

[52] U.S. Cl. **D10/71**

[58] Field of Search **D10/64, 70, 71; D19/52, D19/82, 97; D21/59; 33/483-494, 562, 563, 565, 566; 434/87**

[56] **References Cited**

U.S. PATENT DOCUMENTS

D. 266,250 9/1982 Gallagher **D10/71 X**

Primary Examiner—Alan P. Douglas
Assistant Examiner—Antoine D. Davis
Attorney, Agent, or Firm—W. Wayne Liauh

[57] **CLAIM**

The ornamental design for a ruler, as shown and described.

DESCRIPTION

FIG. 1 is a perspective view of ruler showing my design;

FIG. 2 is a top elevational view thereof;

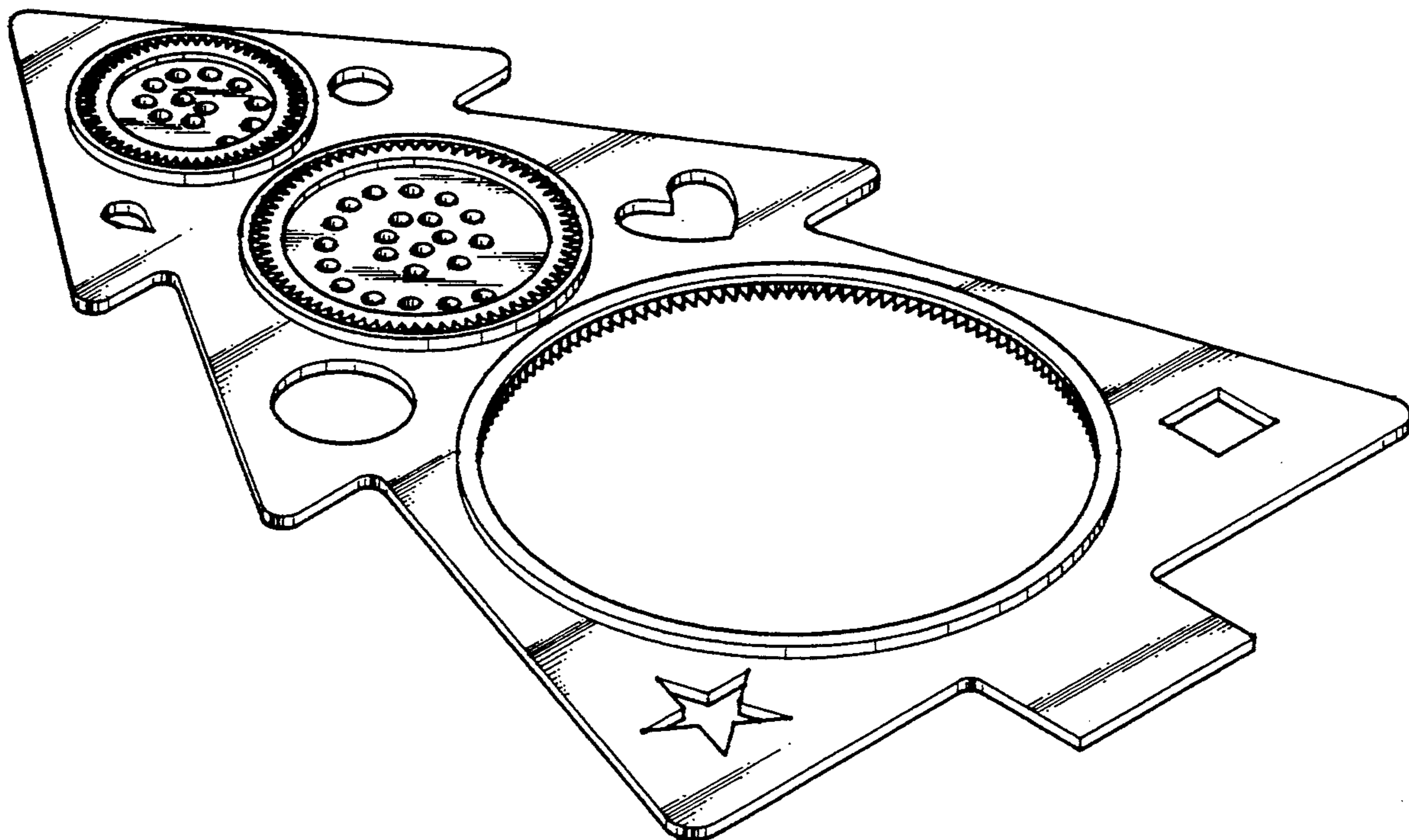
FIG. 3 is a bottom elevational view thereof;

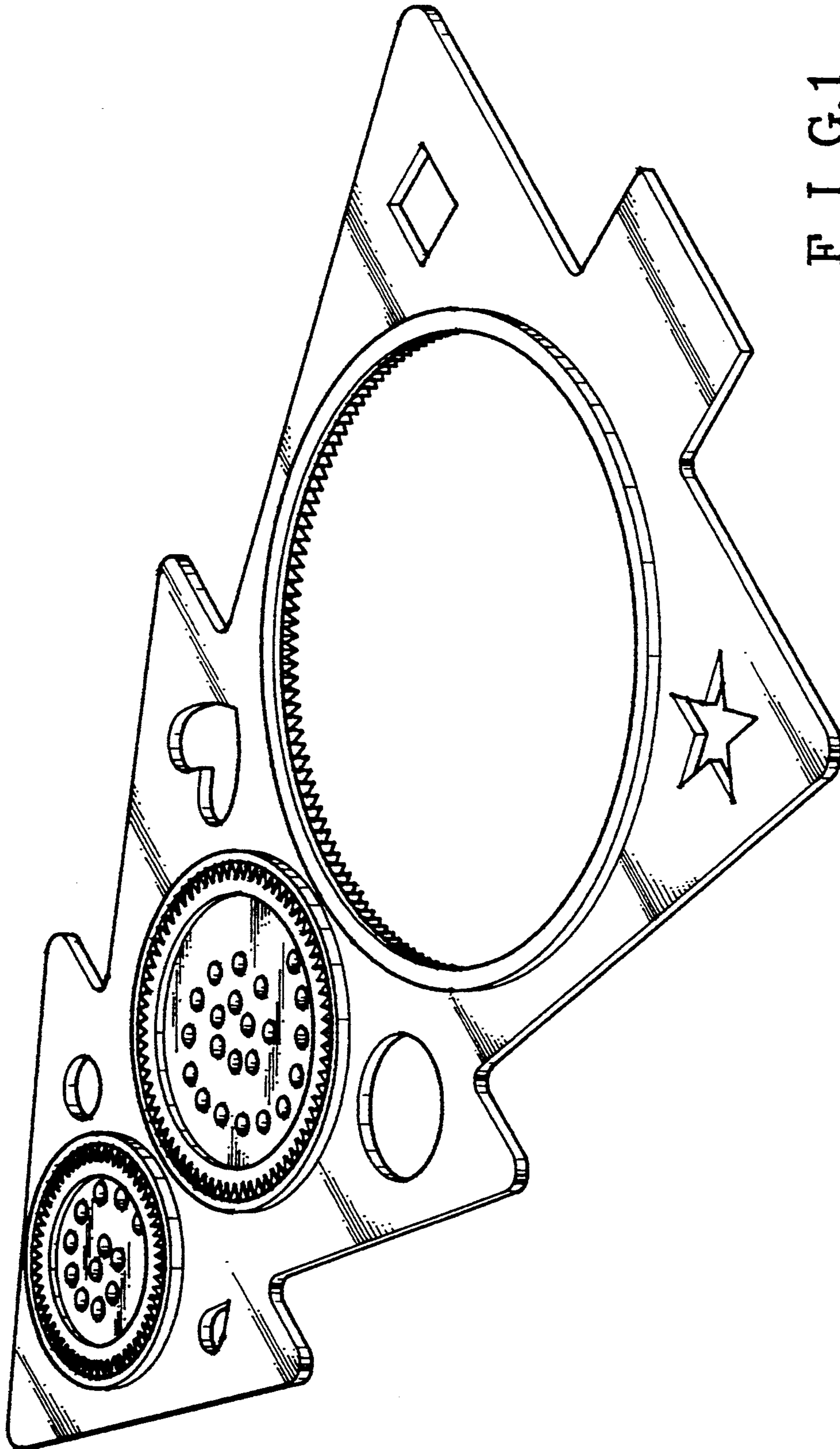
FIG. 4 is a left side elevational view thereof;

FIG. 5 is a right side elevational view thereof;

FIG. 6 is a front plan view thereof; and,

FIG. 7 is a rear plan view thereof.





F I G. 1

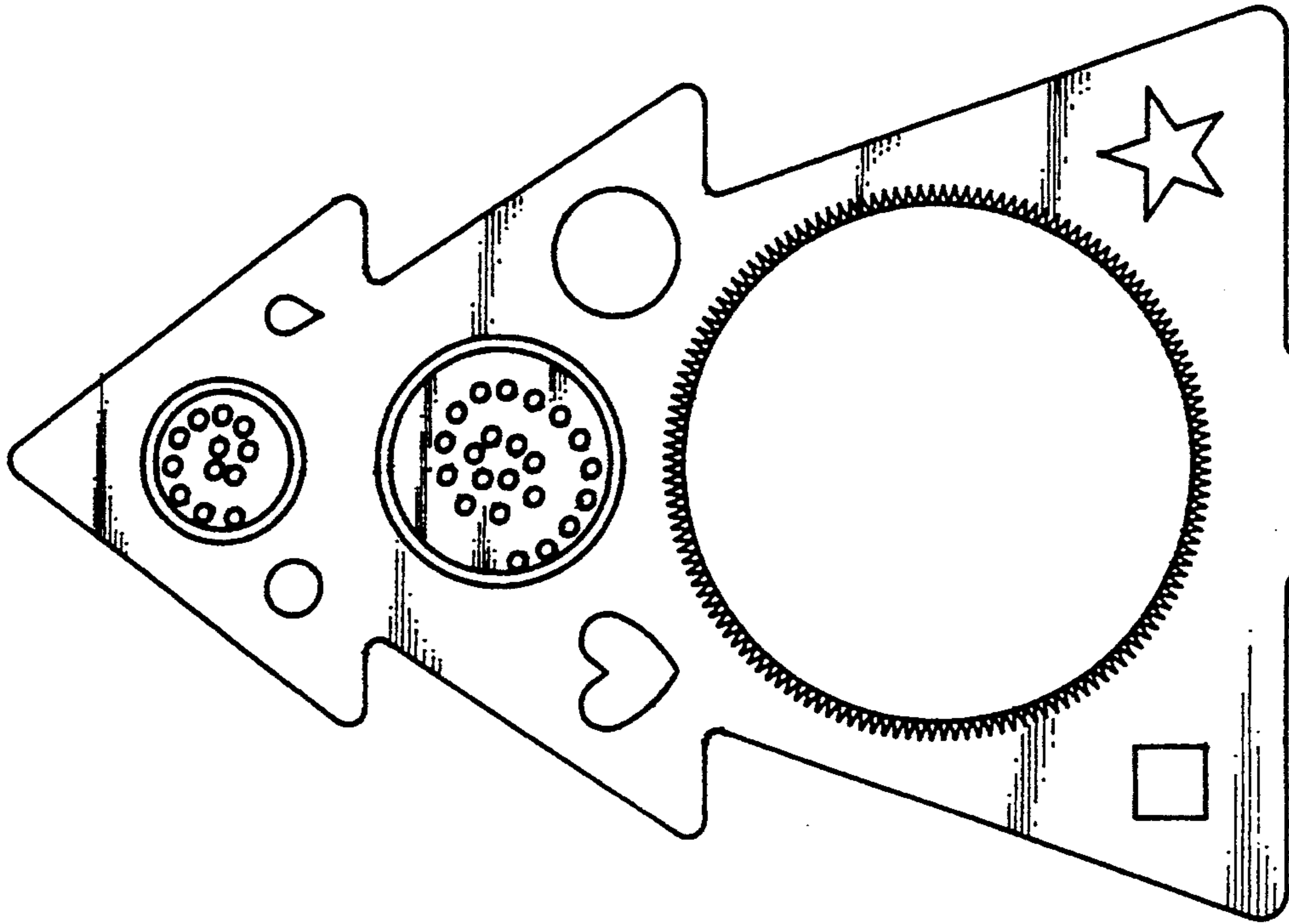


FIG. 3

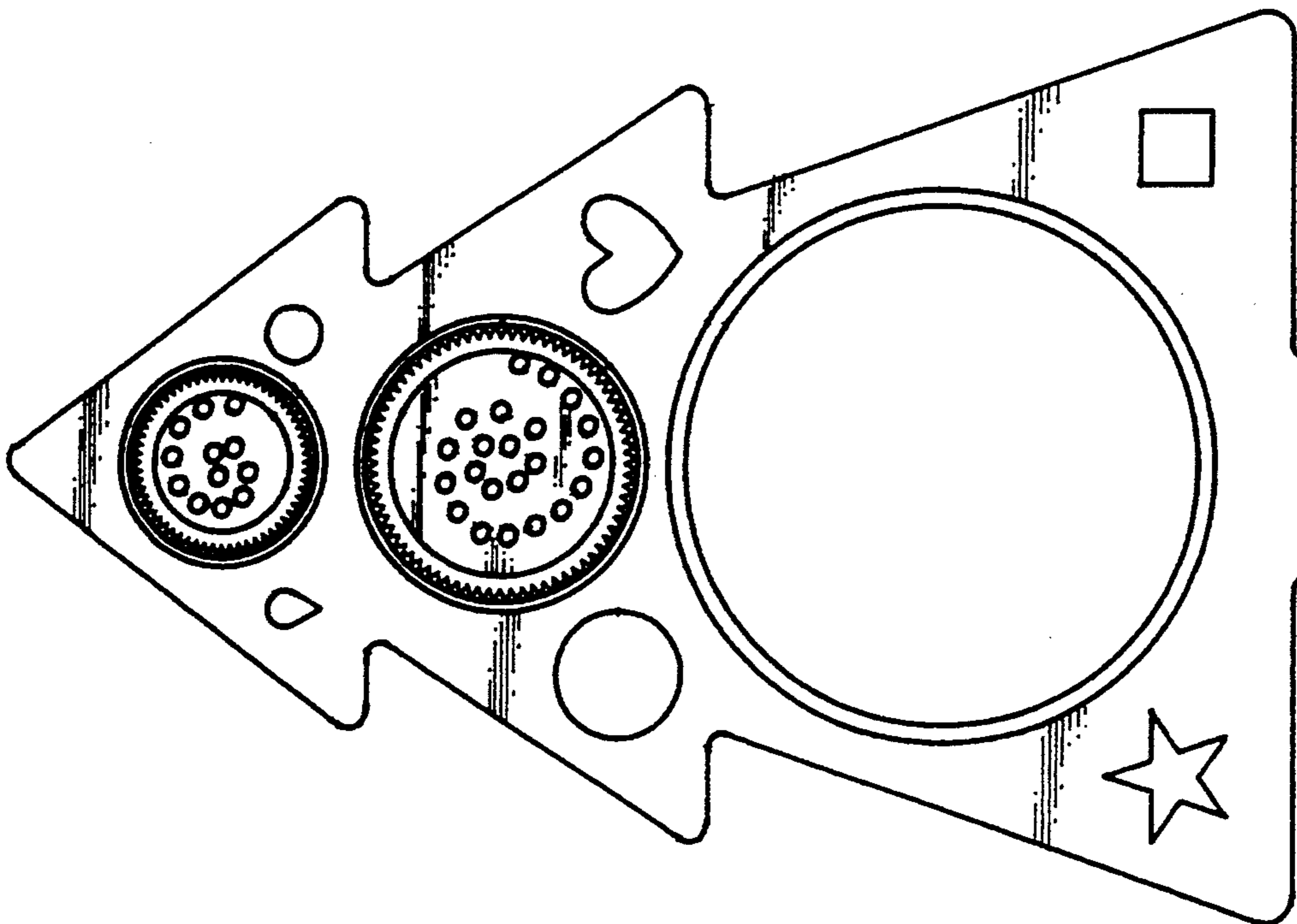


FIG. 2

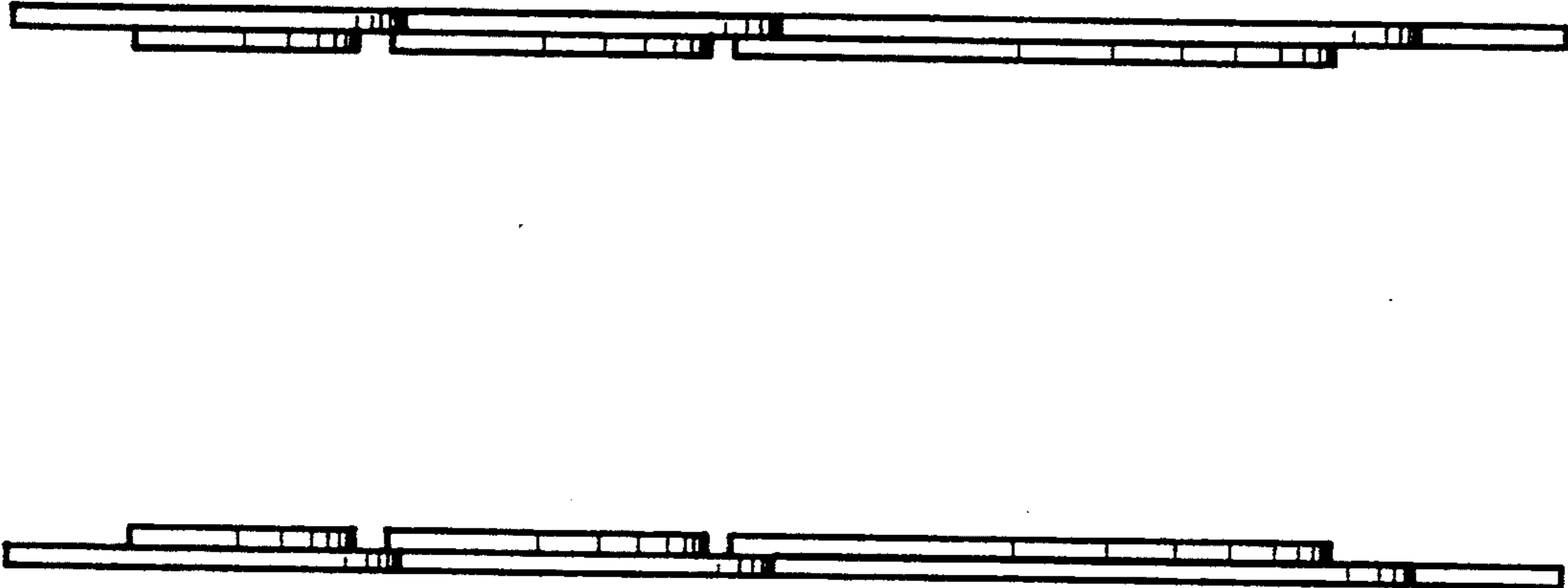


FIG. 4 FIG. 5



FIG. 6



FIG. 7