



US00D356513S

United States Patent [19]

[11] Patent Number: **Des. 356,513**

Burkholder, II

[45] Date of Patent: **** Mar. 21, 1995**

[54] **BATHROOM ACCESSORY TEMPLATE**

[76] Inventor: **Jay K. Burkholder, II**, 2620 Clay Whaley Rd., St. Cloud, Fla. 34772

[**] Term: **14 Years**

[21] Appl. No.: **23,075**

[22] Filed: **May 17, 1994**

[52] U.S. Cl. **D10/64; D10/62; D10/65**

[58] Field of Search **D10/62, 64, 69; 33/197, 33/373, 365, 483-494, 562, 563 Y, 563 Q, 563 N, 563.2, DIG. 10**

[56] **References Cited**

U.S. PATENT DOCUMENTS

D. 268,819 5/1983 Ellis D10/64

D. 306,250 2/1990 Kyrklund D15/140 X
D. 342,267 12/1993 Scholtz D15/136
D. 343,628 1/1994 Sciholtz D15/136

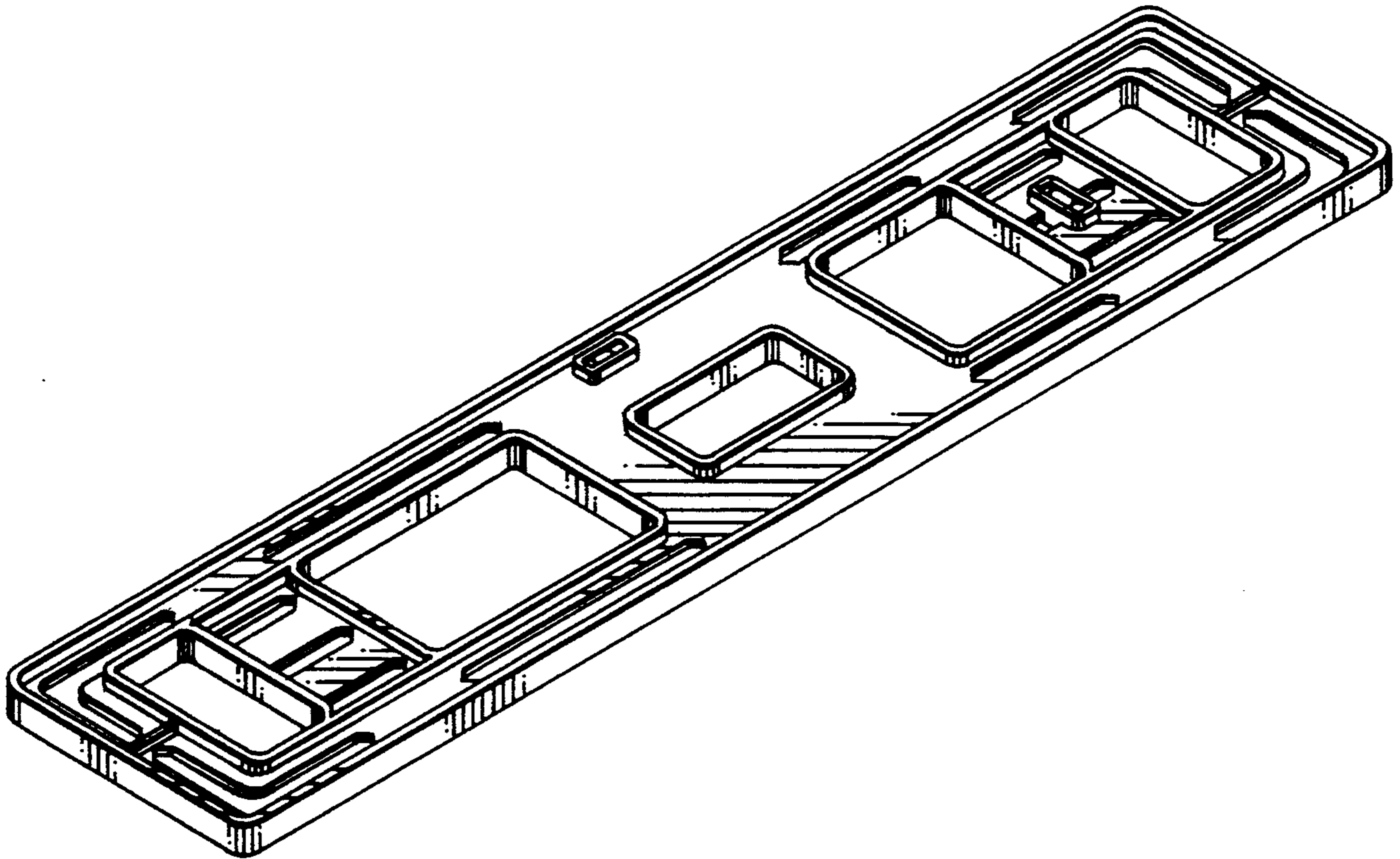
Primary Examiner—Alan P. Douglas
Assistant Examiner—Antoine D. Davis
Attorney, Agent, or Firm—William M. Hobby, III

[57] **CLAIM**

The ornamental design for a bathroom accessory template, as shown and described.

DESCRIPTION

FIG. 1 is a top front perspective view showing my new bathroom accessory template;
FIG. 2 is a left end elevation, both end elevations being identical;
FIG. 3 is a front side elevation;
FIG. 4 is a rear side elevation; and,
FIG. 5 is a bottom plan view.



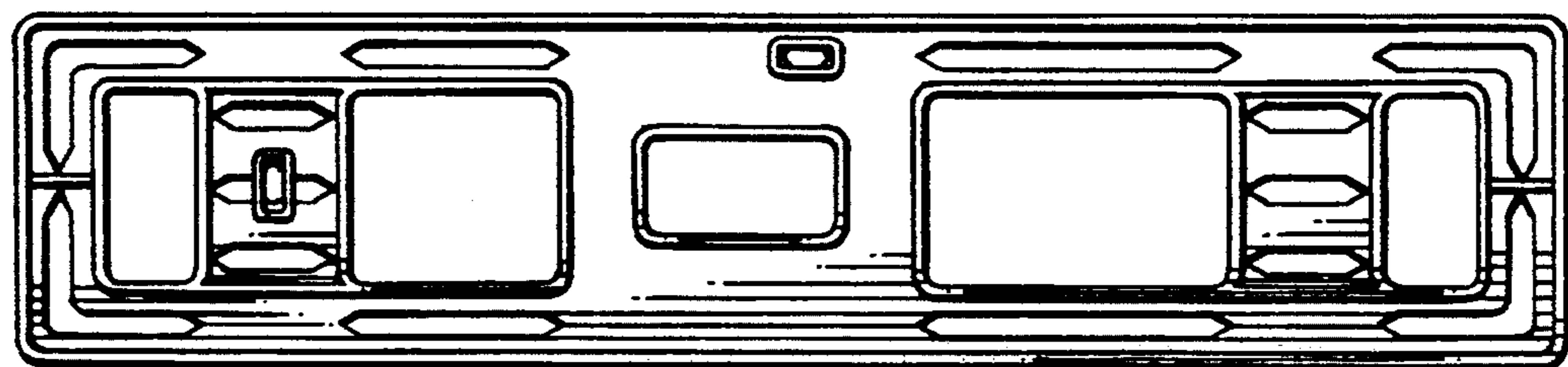
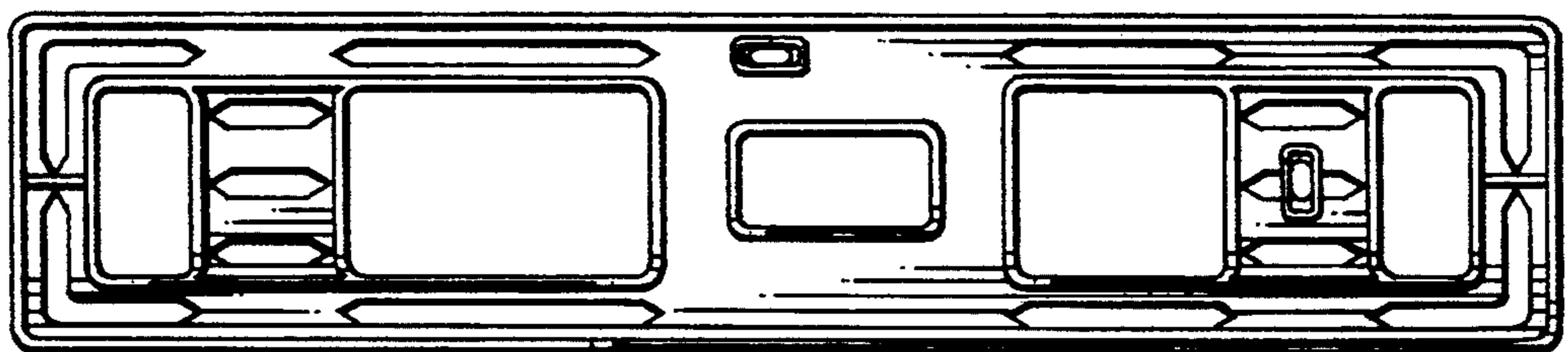
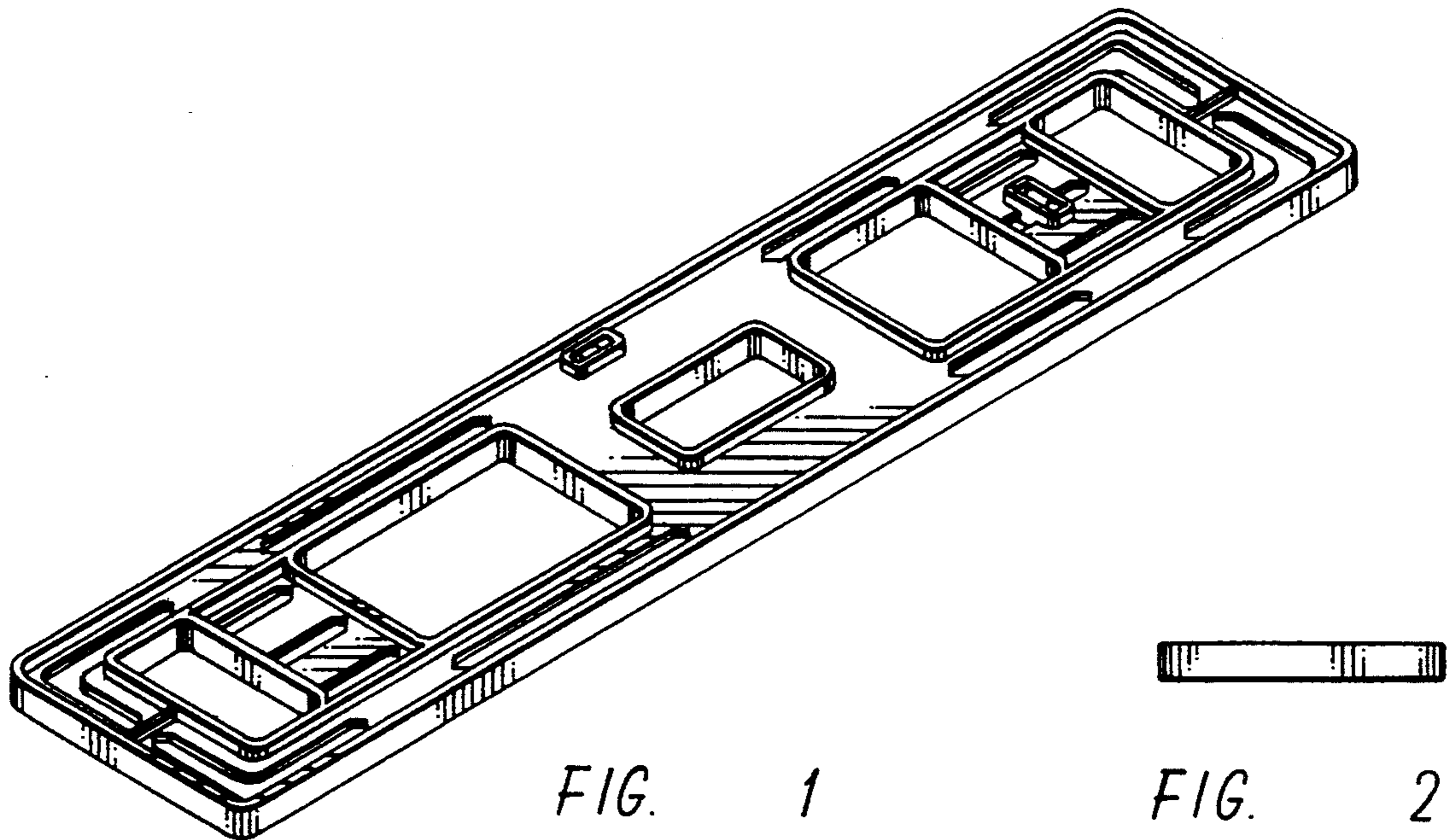


FIG. 5