



US00D356502S

United States Patent [19]

[11] Patent Number: **Des. 356,502**

Poandl

[45] Date of Patent: **** Mar. 21, 1995**

[54] **BOTTLE**

[75] Inventor: **Marybeth Poandl**, Rumson, N.J.

[73] Assignee: **Guest Supply, Inc.**, No. Brunswick, N.J.

[**] Term: **14 Years**

[21] Appl. No.: **7,664**

[22] Filed: **Apr. 29, 1993**

[52] U.S. Cl. **D9/520; D9/544; D9/573**

[58] Field of Search **D9/573, 572, 574, 575, D9/544, 520; 215/1 R, 1 C**

[56] **References Cited**

U.S. PATENT DOCUMENTS

- D. 92,842 7/1934 Gest D9/520
- D. 97,725 12/1935 Botham D9/573 X

- D. 100,050 6/1936 Sheridan D9/573 X
- D. 114,363 4/1939 Dunnock D9/542
- D. 209,782 1/1968 Douglas D9/520
- D. 263,683 4/1982 Mansau D9/544 X
- D. 341,091 11/1993 Granai D9/573
- D. 342,452 12/1993 Monaghan D9/573

Primary Examiner—Lucy J. Lieberman
Attorney, Agent, or Firm—Abdallah & Muckelroy

[57] **CLAIM**

An ornamental design for the bottle, as shown and described.

DESCRIPTION

FIG. 1 is a perspective view of a bottle;
FIG. 2 is a front elevational of the bottle;
FIG. 3 is a top plan view of the bottle;
FIG. 4 is a bottom plan view of the bottle;
FIG. 5 is a right side elevation of the bottle; and,
FIG. 6 is a left side elevation of the bottle.

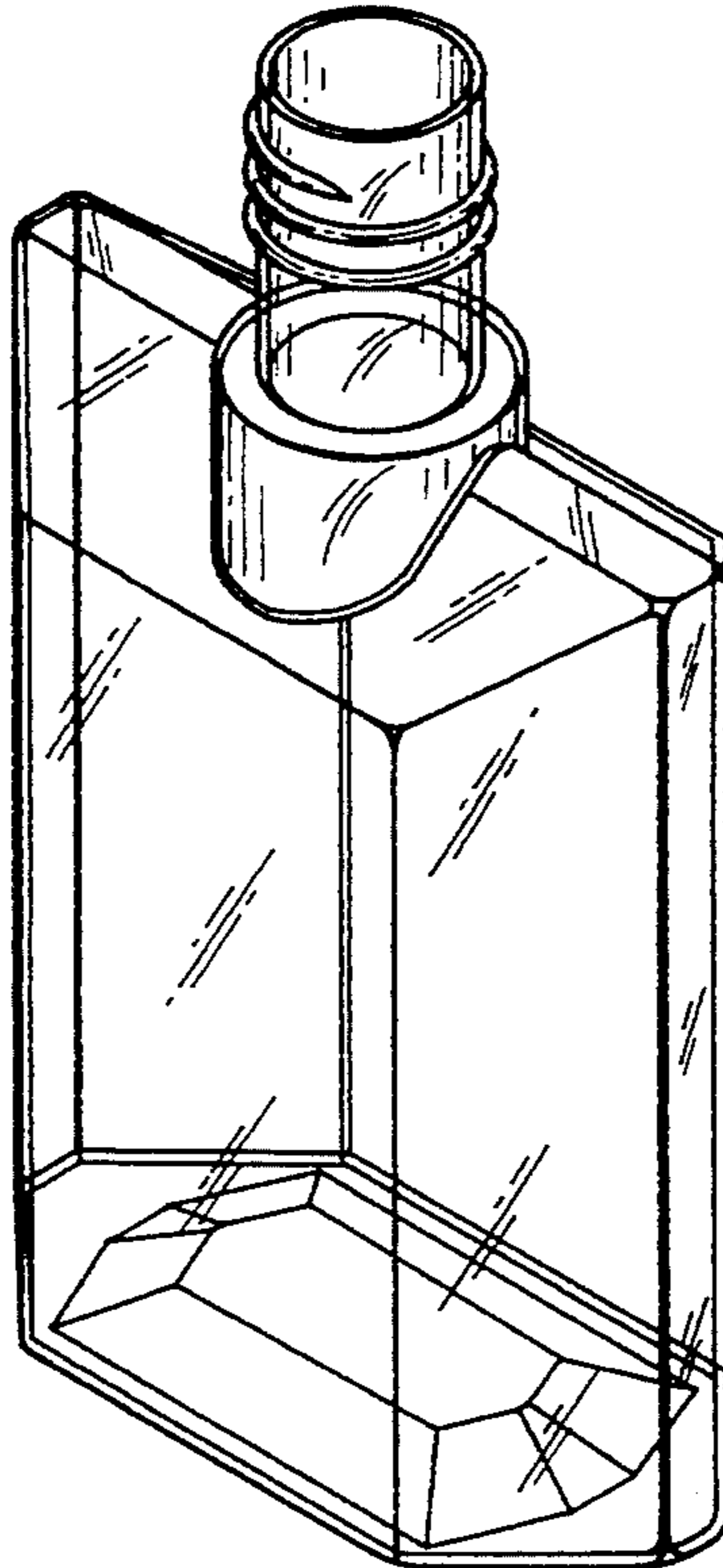


FIG. 1

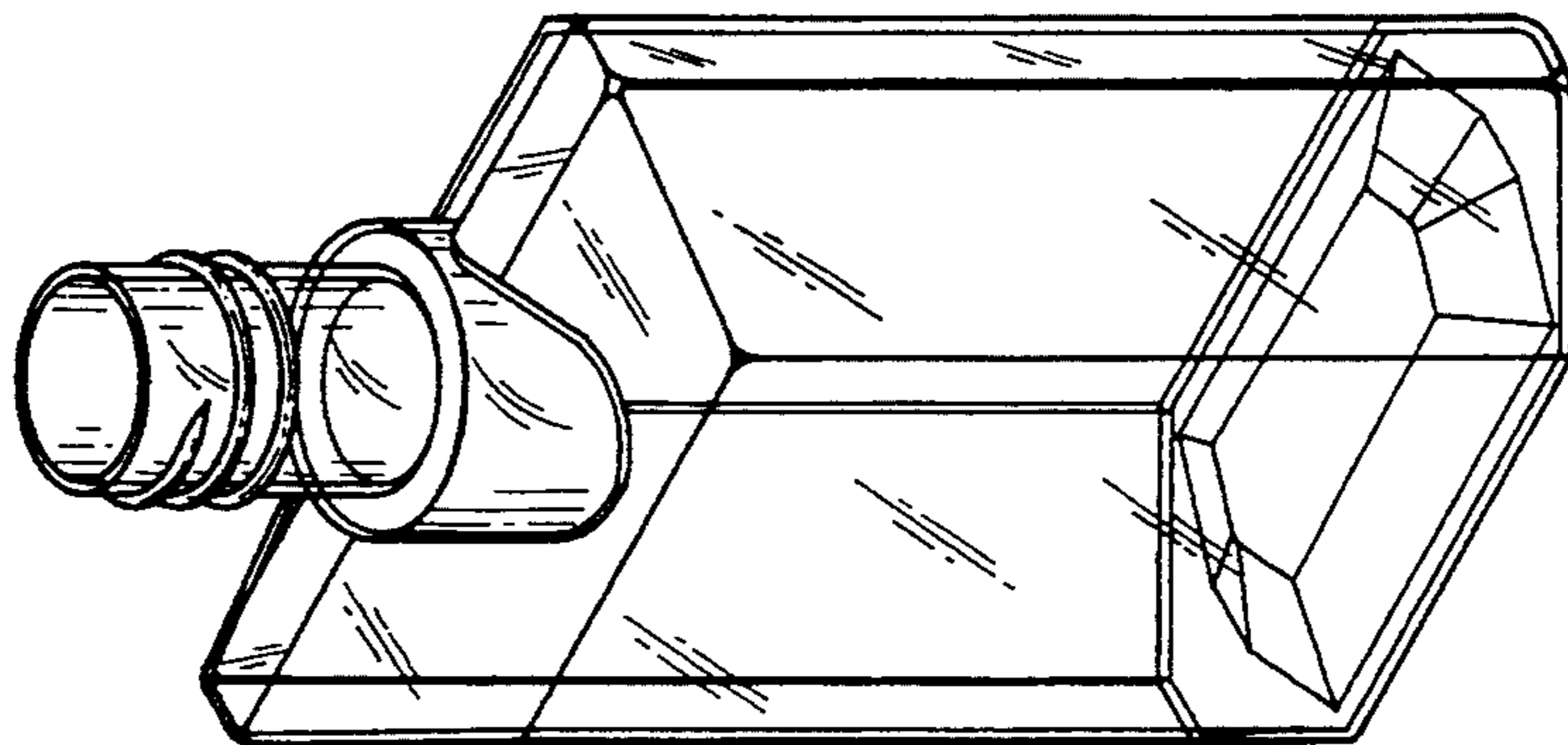


FIG. 2

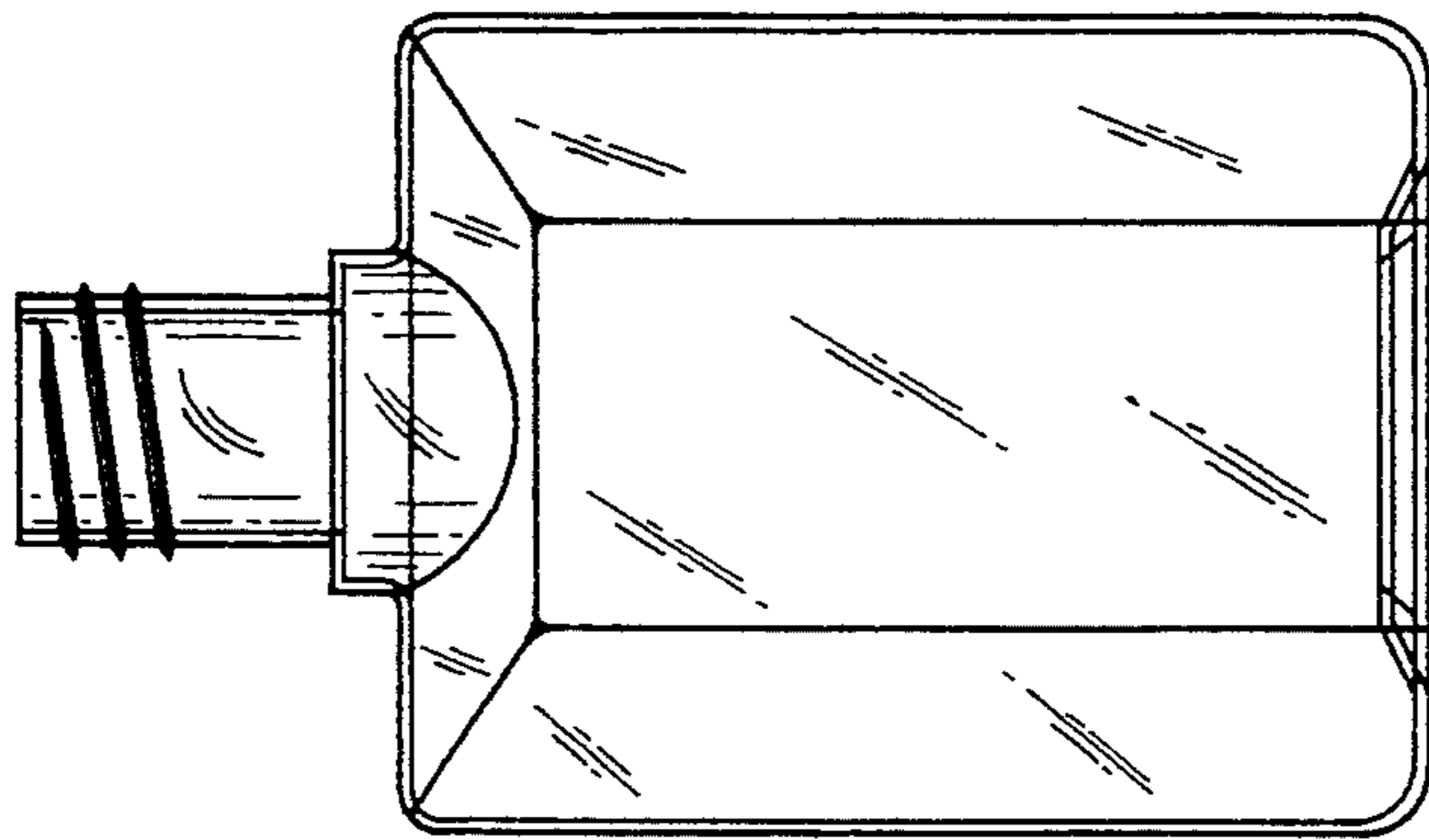


FIG. 3

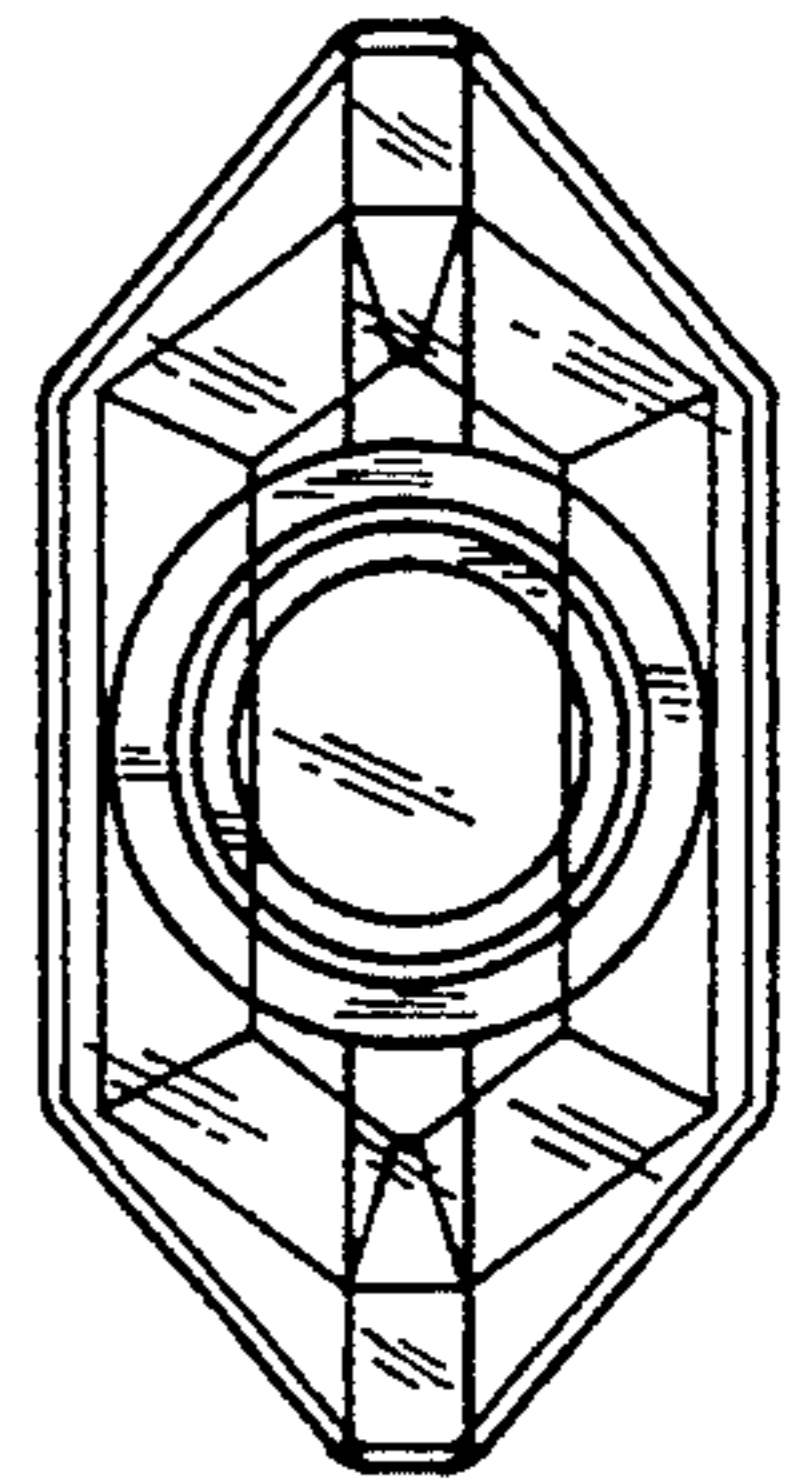


FIG. 4

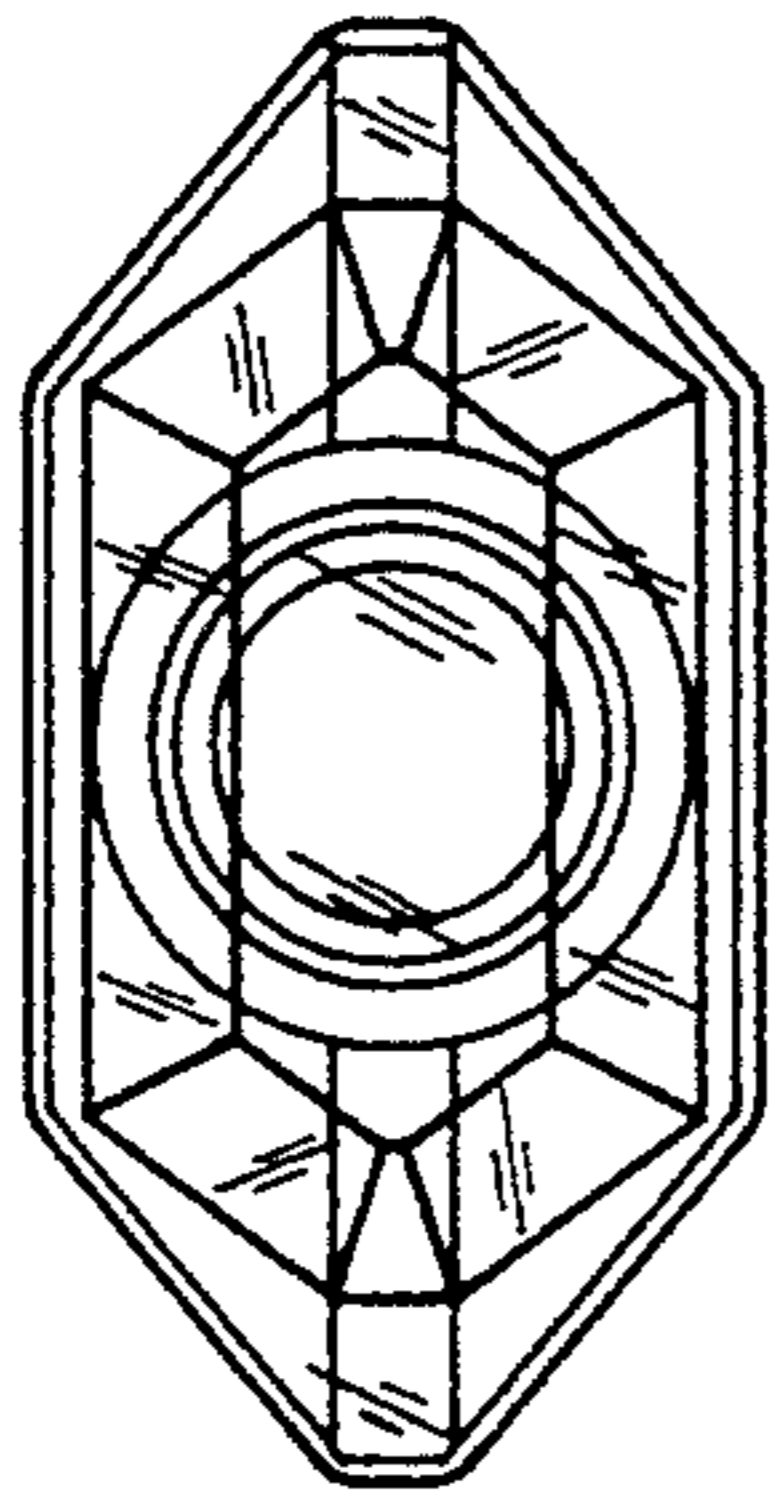


FIG. 5

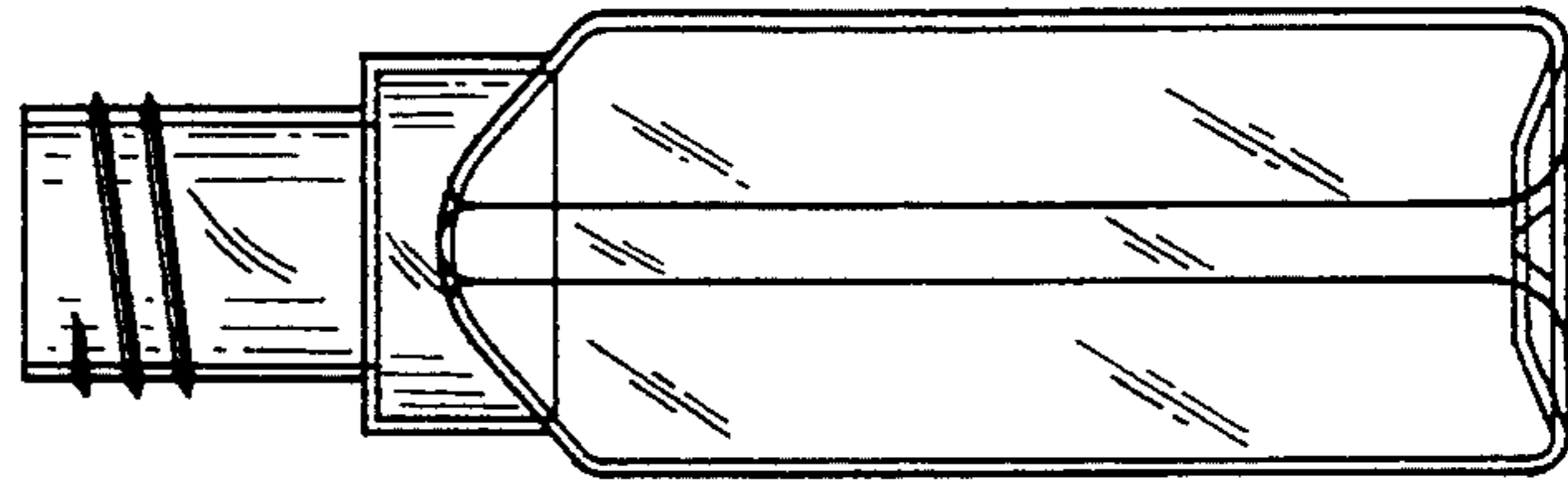


FIG. 6

