



US00D356499S

United States Patent [19]

[11] Patent Number: **Des. 356,499**

Cautereels et al.

[45] Date of Patent: **** Mar. 21, 1995**

[54] SEAL WITH CAP

[75] Inventors: **Victor J. J. Cautereels**, Eugene Verelstlei, Belgium; **Ian Ferris**, Berkshire, United Kingdom

[73] Assignee: **Dart Industries Inc.**, Deerfield, Ill.

[**] Term: **14 Years**

[21] Appl. No.: **936,803**

[22] Filed: **Aug. 27, 1992**

[52] U.S. Cl. **D9/449; D9/434**

[58] Field of Search **D9/434, 435, 436, 438, D9/439, 440, 444, 445, 446, 447, 449, 454; 215/277, 306; 222/546**

[56] **References Cited**

U.S. PATENT DOCUMENTS

D. 278,312	4/1985	Cleevly et al.	D9/449
D. 295,831	5/1988	Urion	D9/449
D. 319,017	8/1991	Turner et al.	D9/449
4,457,458	7/1984	Heinol	D9/449 X

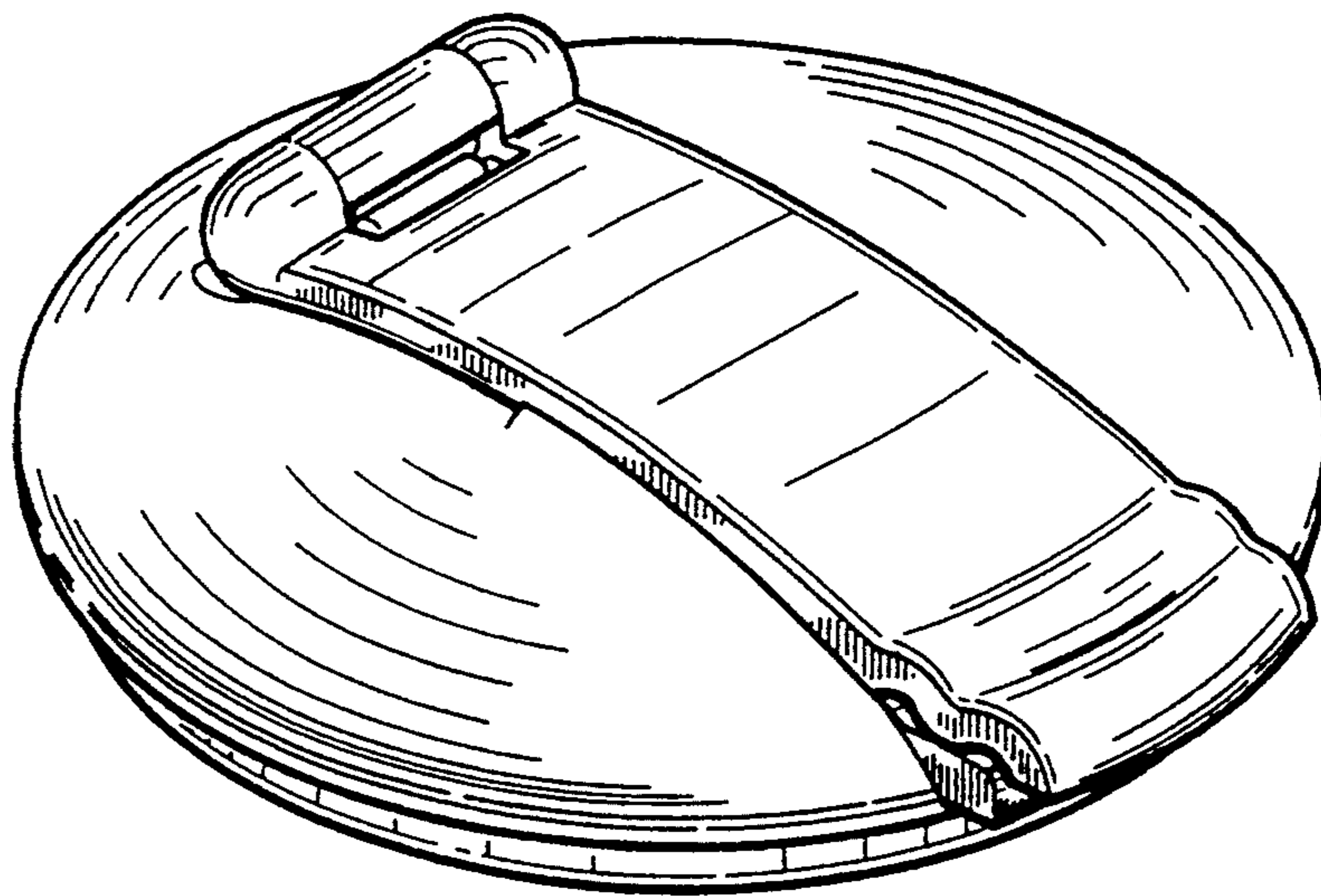
Primary Examiner—Alan P. Douglas
Assistant Examiner—Robert M. Spear
Attorney, Agent, or Firm—John A. Doninger

[57] **CLAIM**

The ornamental design for a seal with cap, as shown and described.

DESCRIPTION

FIG. 1 is a top perspective view of a seal with cap, showing our new design;
FIG. 2 is a top plan view thereof;
FIG. 3 is a bottom plan view thereof;
FIG. 4 is a left side elevational view thereof;
FIG. 5 is a right side elevational view thereof;
FIG. 6 is a front elevational view thereof;
FIG. 7 is a rear elevational view thereof;
FIG. 8 is an exploded perspective view thereof;
FIG. 9 is a cross-sectional view thereof on line 9—9 in FIG. 2; and,
FIG. 10 is a cross-sectional view thereof on line 10—10 in FIG. 2.



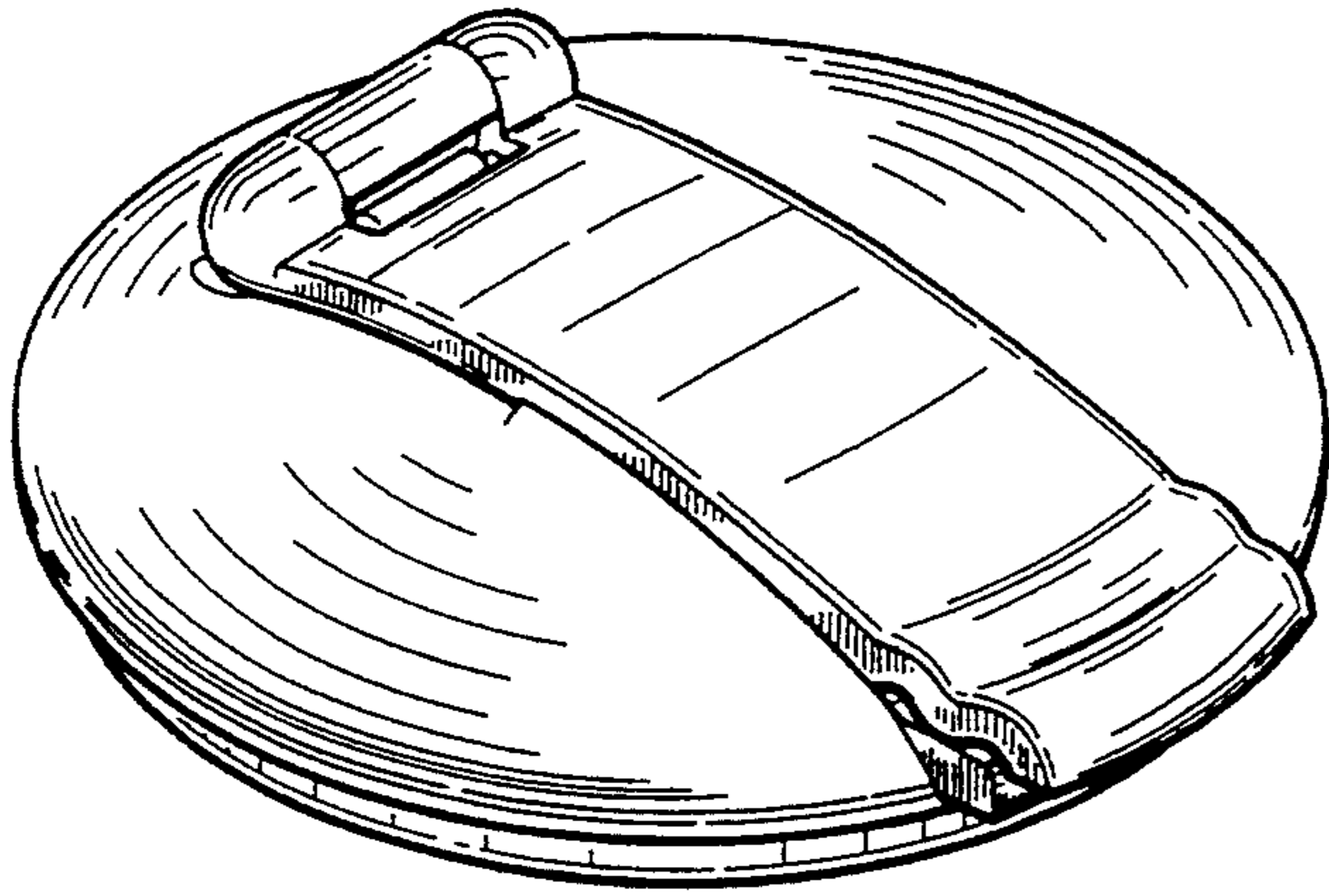


FIG. 1

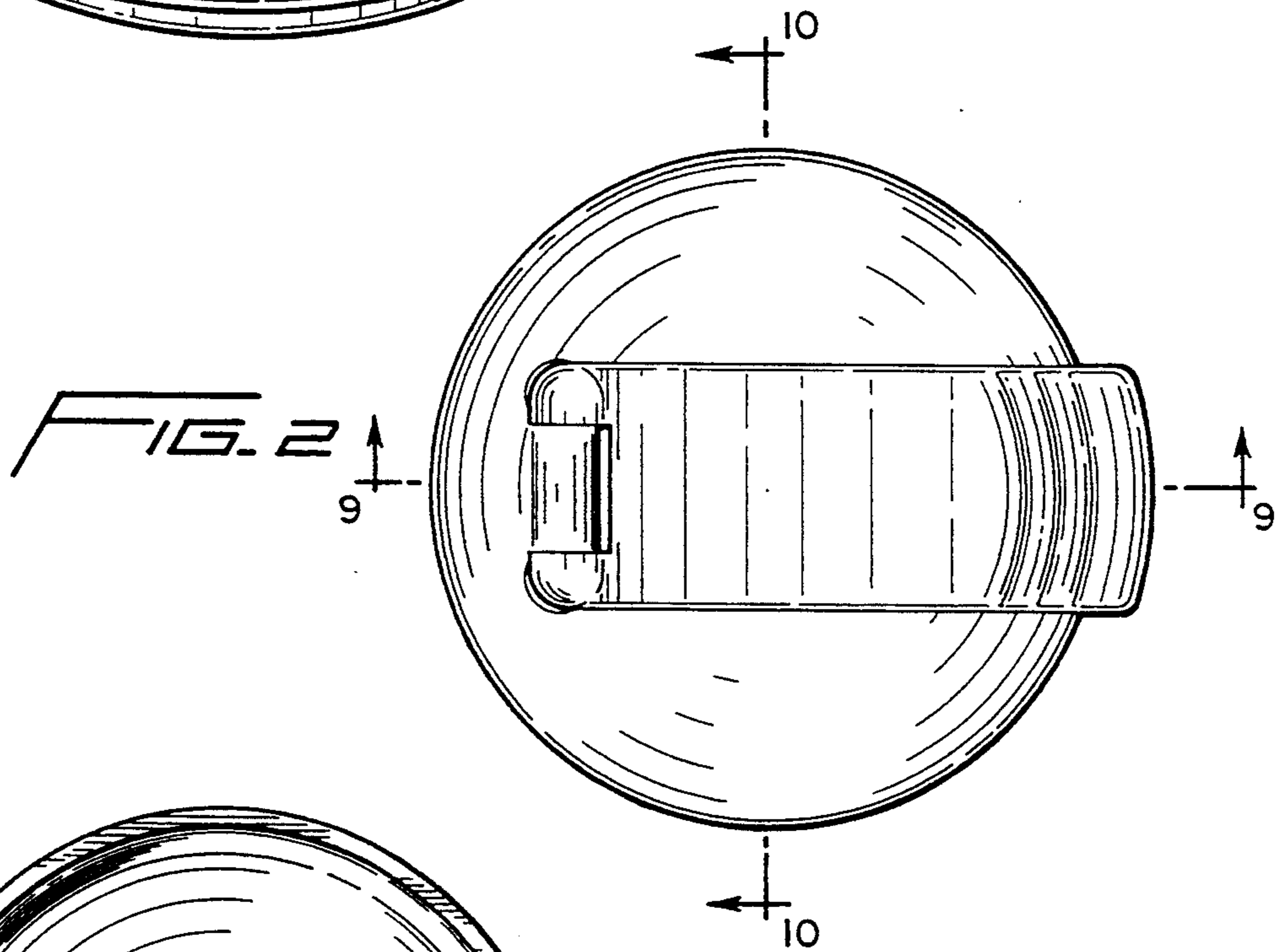


FIG. 2

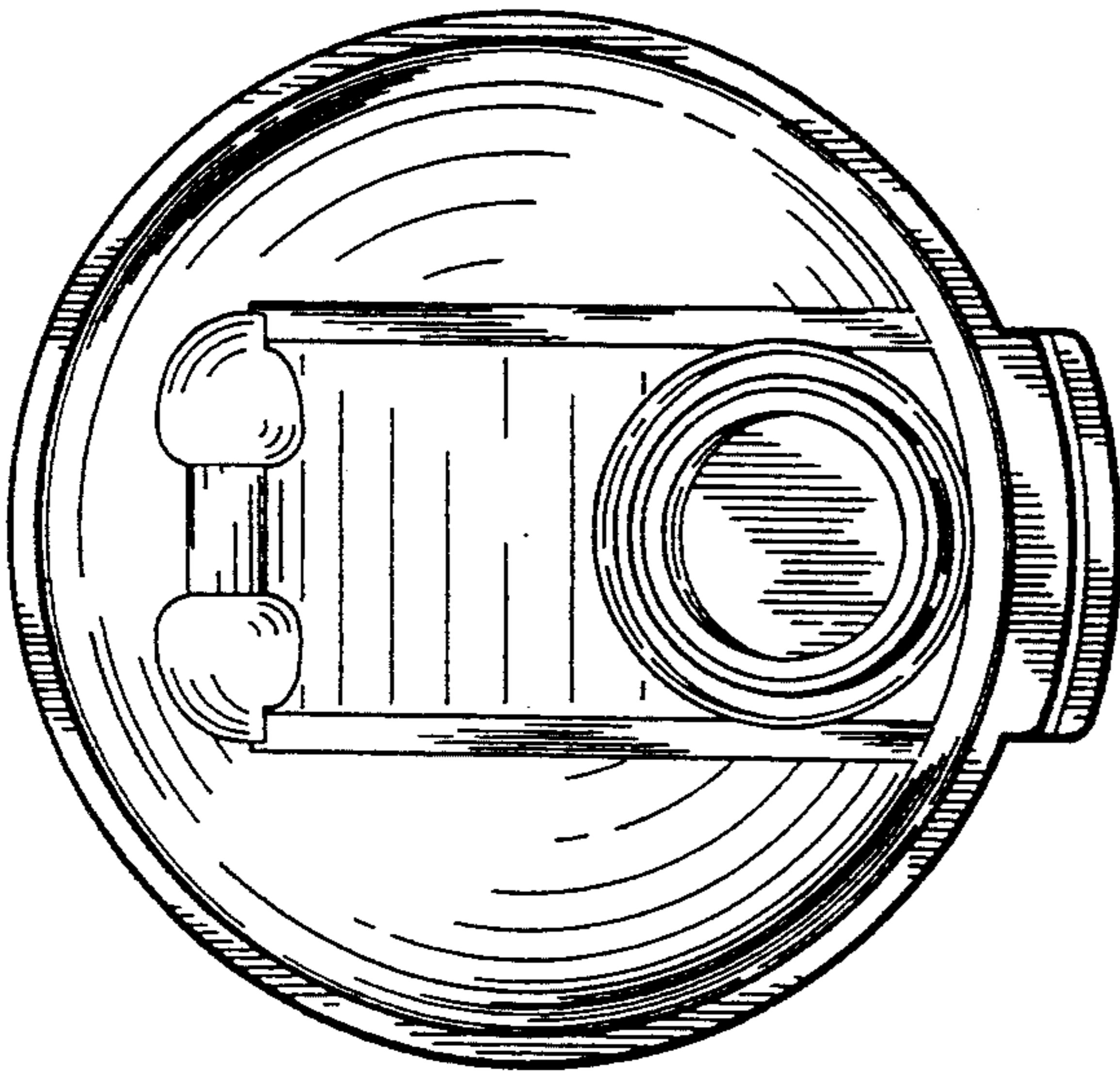


FIG. 3

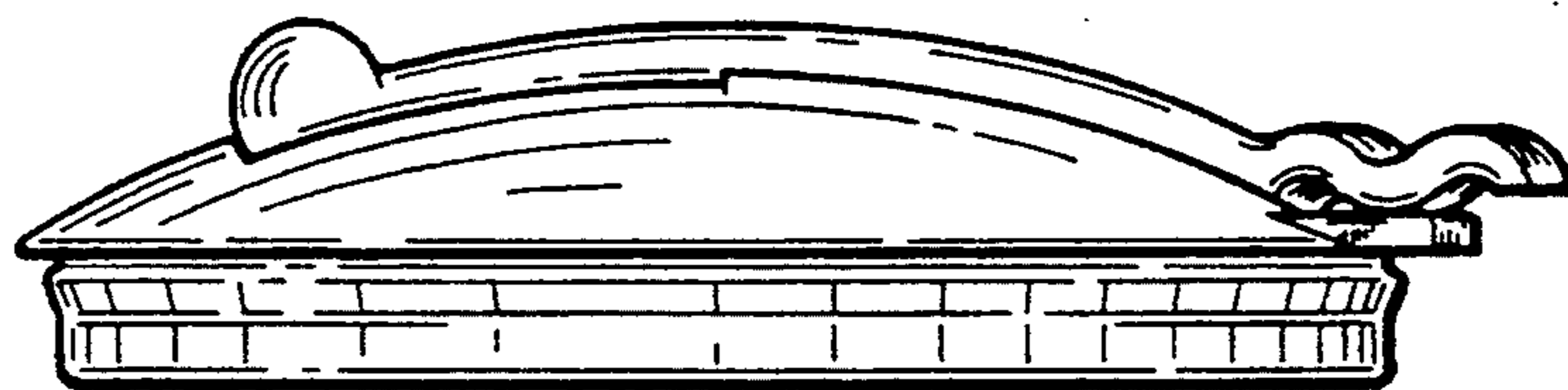


FIG. 4

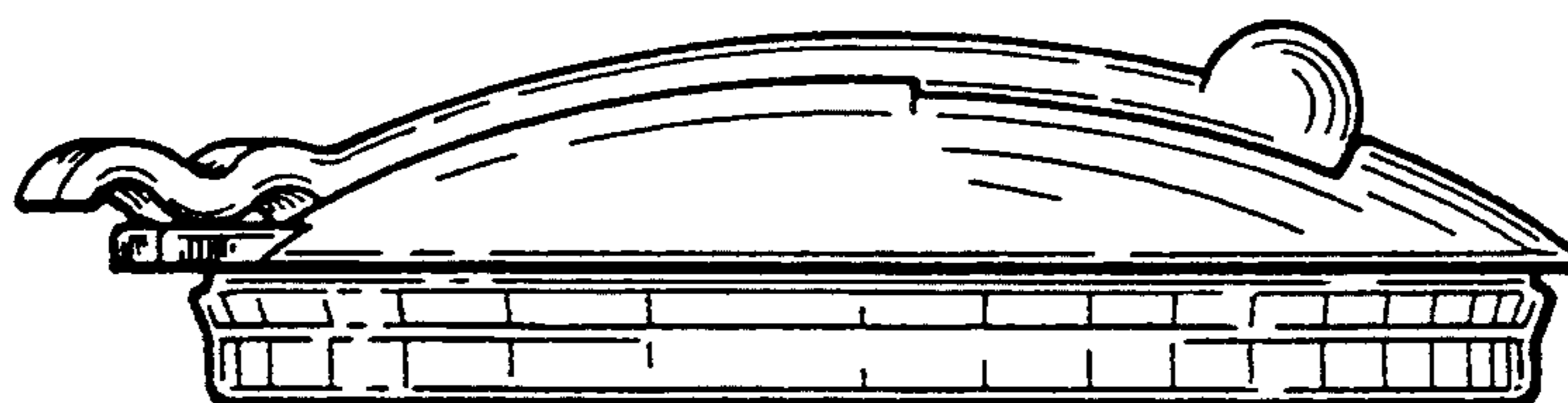


FIG. 5

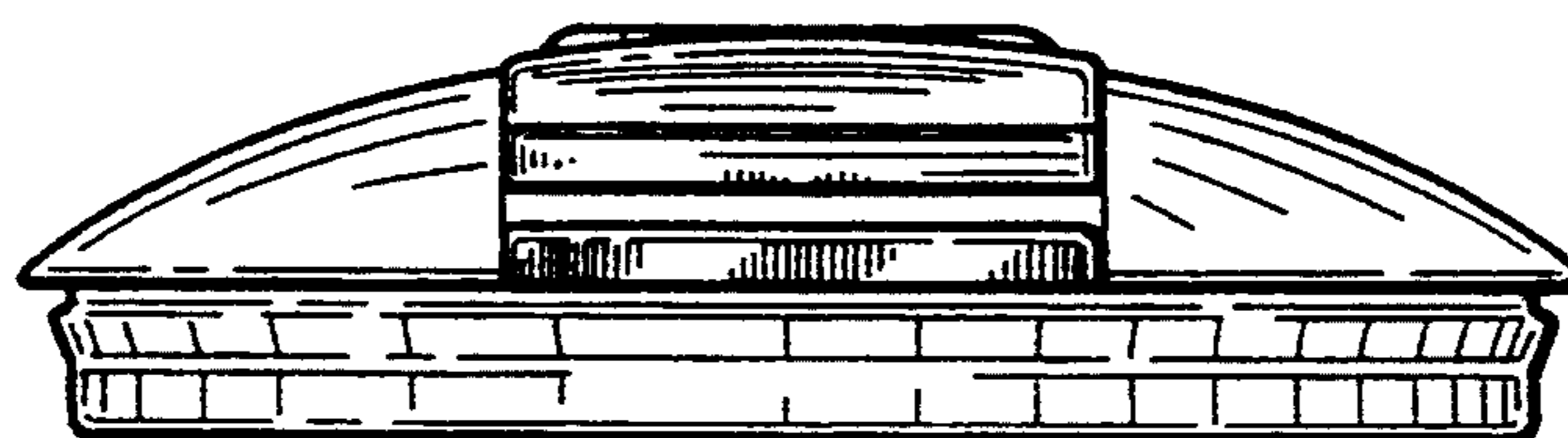


FIG. 6

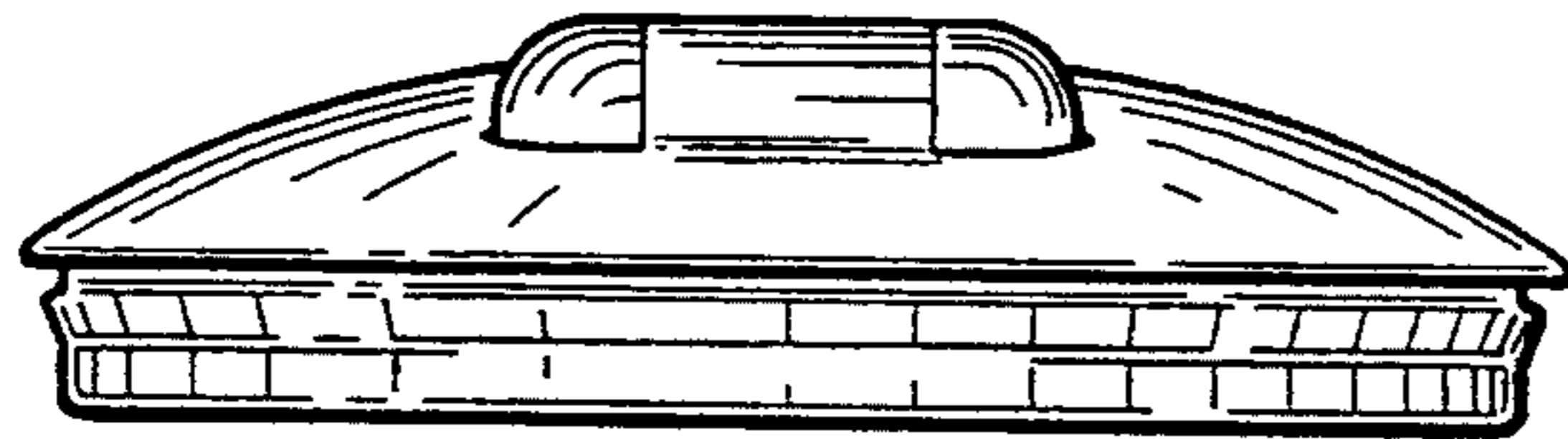


FIG. 7

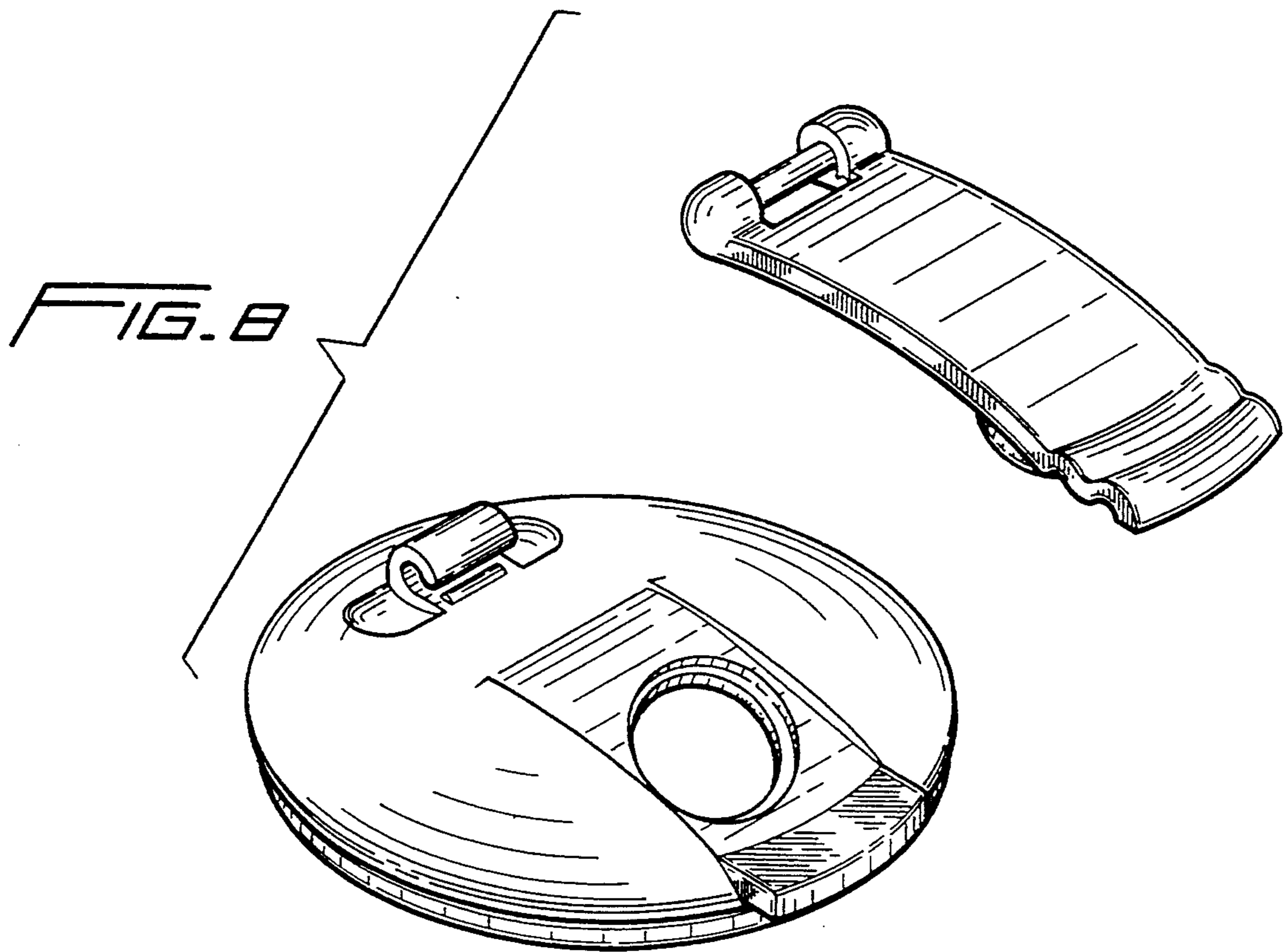


FIG. 8

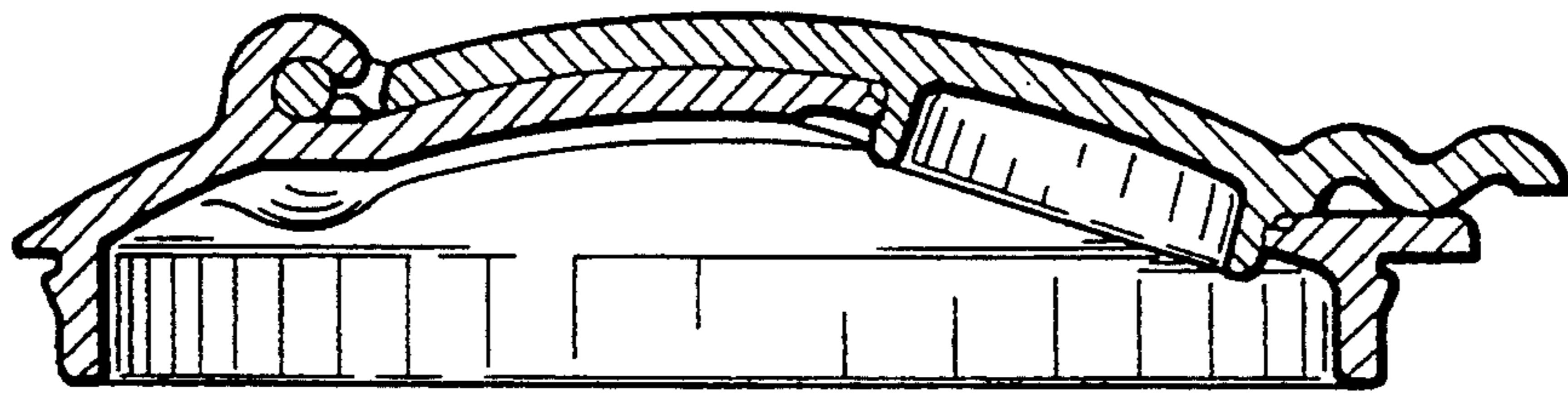


FIG. 9

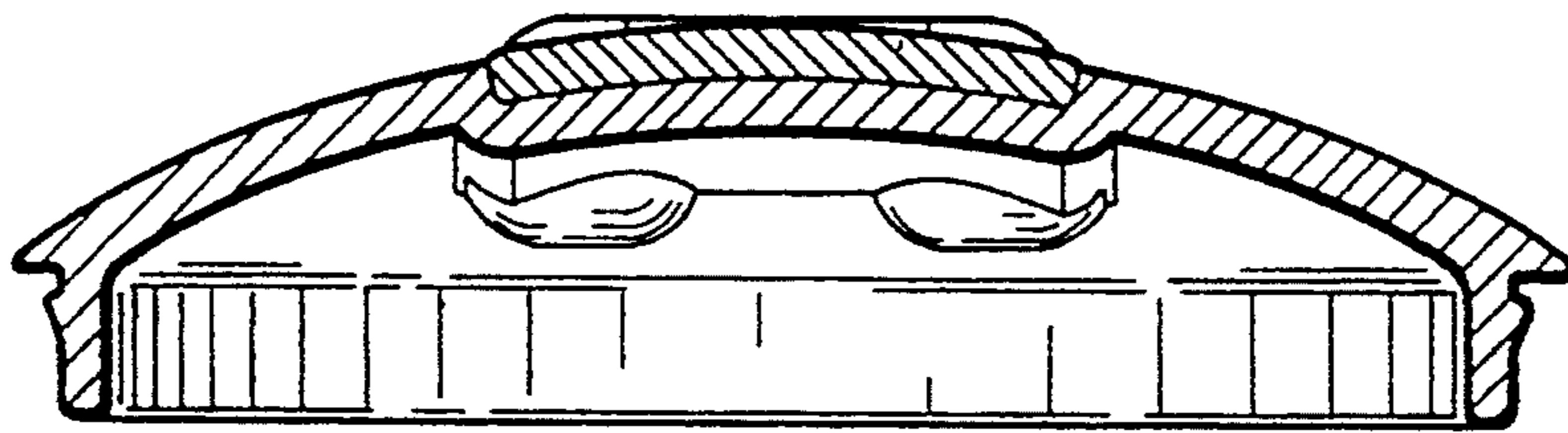


FIG. 10