



US00D356494S

United States Patent [19]

[11] Patent Number: **Des. 356,494**

Eke et al.

[45] Date of Patent: **** Mar. 21, 1995**

[54] **TWIN-PUMP CONTAINER**

[75] Inventors: **Josephine K. Eke**, Glen Gardner, N.J.; **Diane R. Yoakam**, Memphis, Tenn.

[73] Assignee: **Schering-Plough Healthcare Products, Inc.**, Memphis, Tenn.

[**] Term: **14 Years**

[21] Appl. No.: **14,281**

[22] Filed: **Oct. 18, 1993**

[52] U.S. Cl. **D9/300**

[58] Field of Search D9/300, 341, 523, 516, D9/517, 347; 215/6, 1 R, 1 C; D23/225; 222/372, 380, 383-385, 192, 130, 321, 135; 239/333, 303, 305, 527; 220/23.86

[56] **References Cited**

U.S. PATENT DOCUMENTS

D. 188,527 8/1960 Becker D9/300 X

D. 192,980 6/1962 Mangini D9/341
D. 285,652 9/1986 Brown D9/522 X
D. 290,225 6/1987 Carlson D9/300 X
D. 290,434 6/1987 Brown D9/341 X

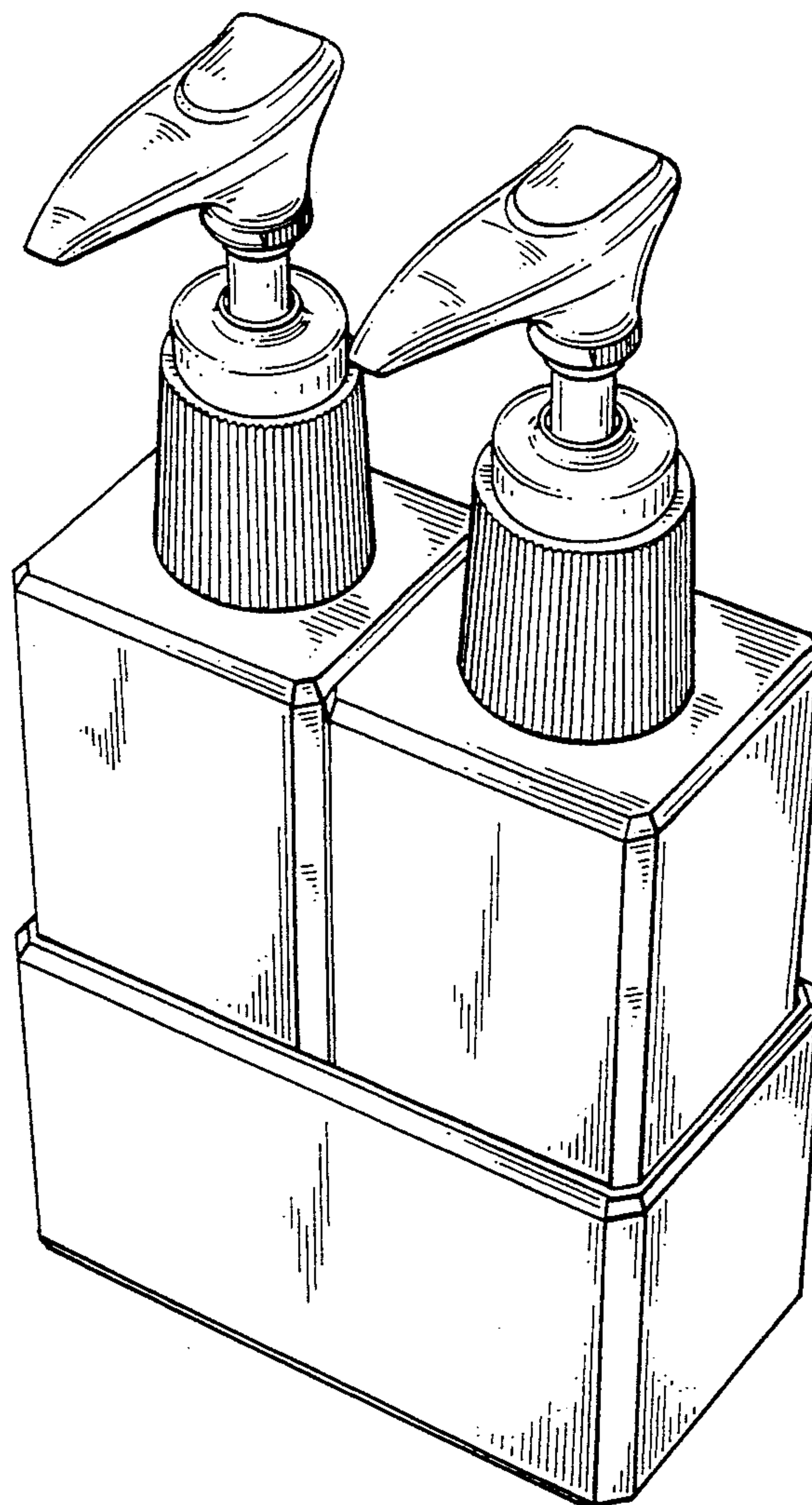
Primary Examiner—Theodore M. Shooman
Assistant Examiner—Cheri Cohen
Attorney, Agent, or Firm—Eric S. Dicker; John J. Maitner; Robert A. Franks

[57] **CLAIM**

The ornamental design for a twin-pump container, as shown and described.

DESCRIPTION

FIG. 1 is a perspective view of a twin-pump container, showing the new design;
FIG. 2 is a front view of the container;
FIG. 3 is a rear view of the container;
FIG. 4 is a side view of the container, both sides being identical except for the orientation of pump heads;
FIG. 5 is a top view of the container; and,
FIG. 6 is a bottom view of the container.



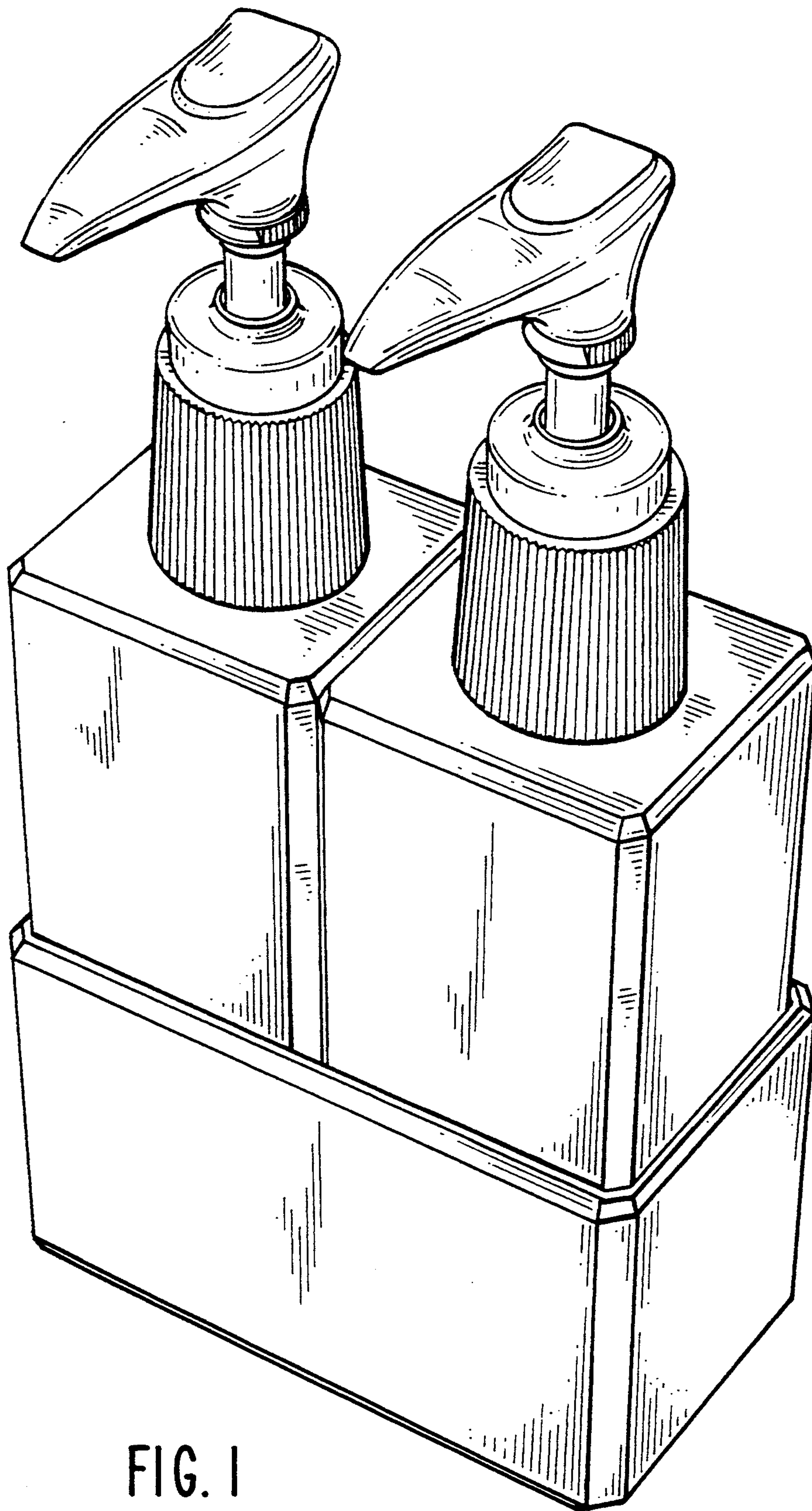


FIG. 1

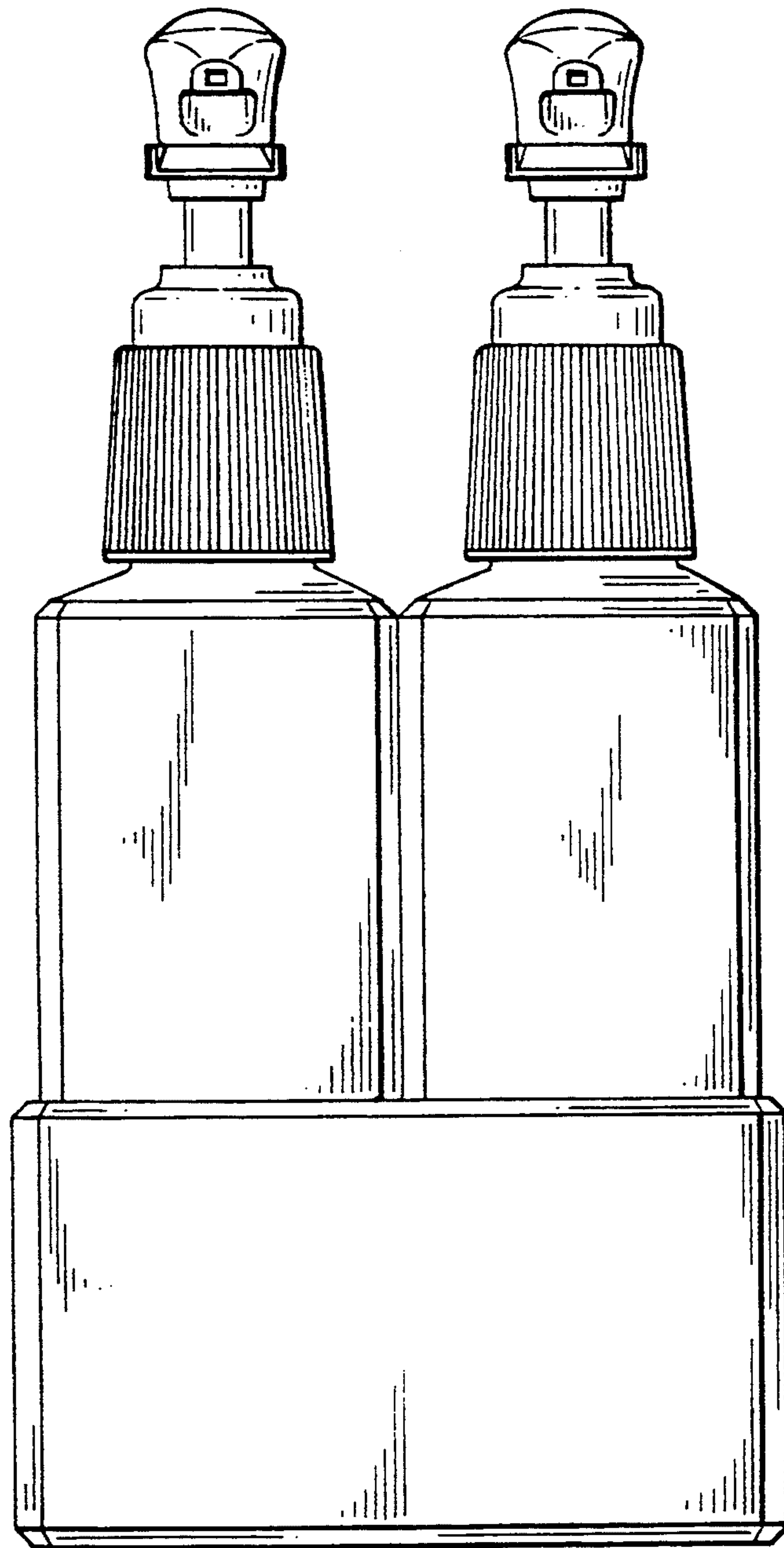


FIG. 2

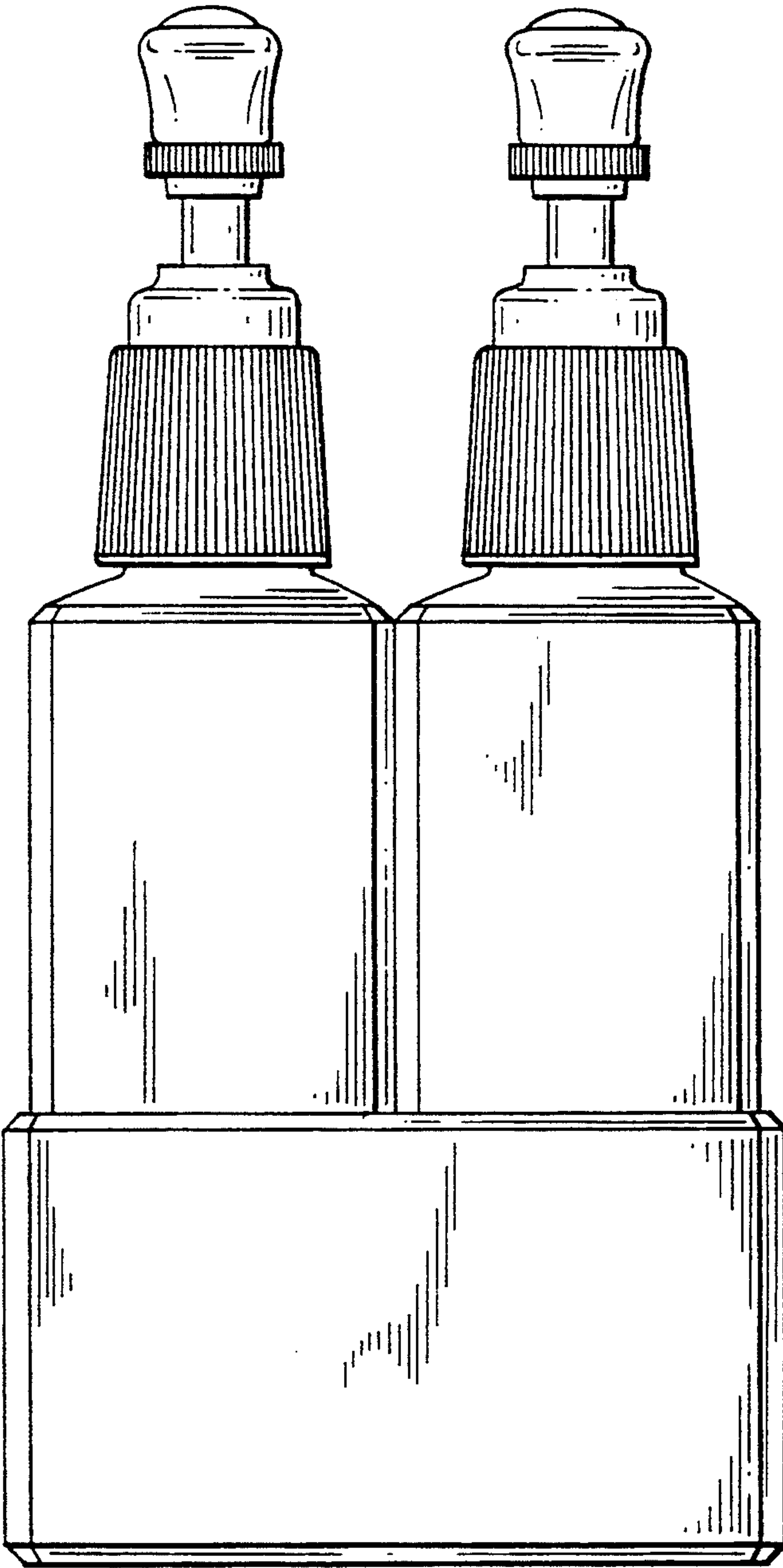


FIG. 3

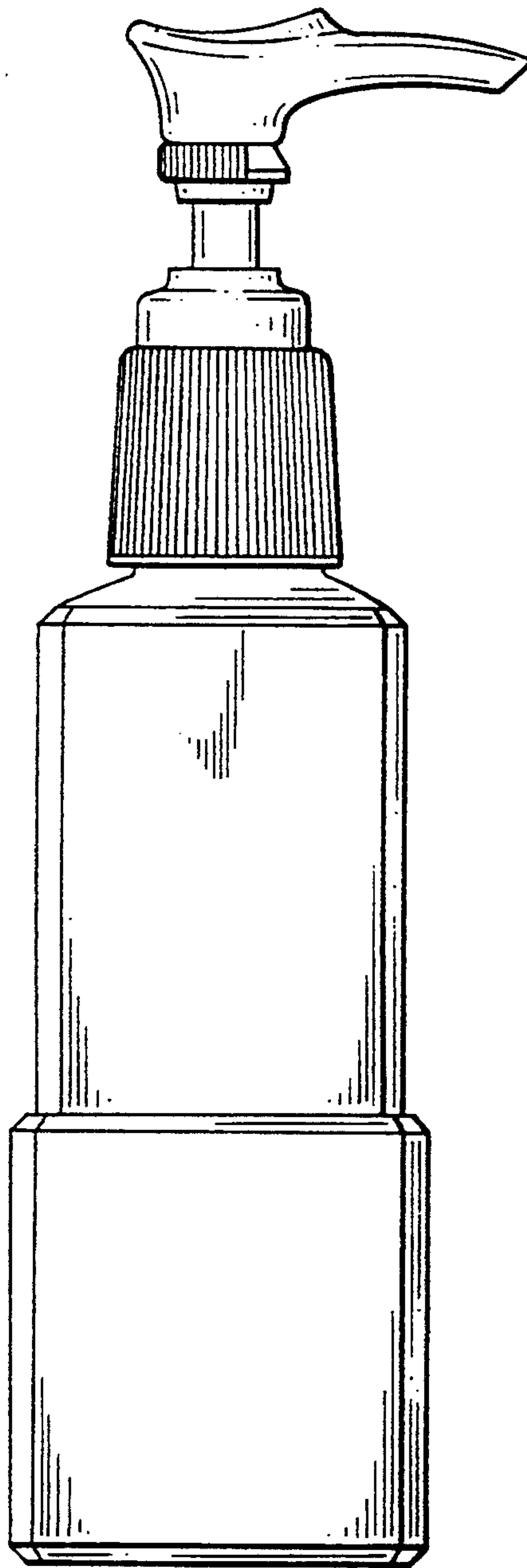


FIG. 4

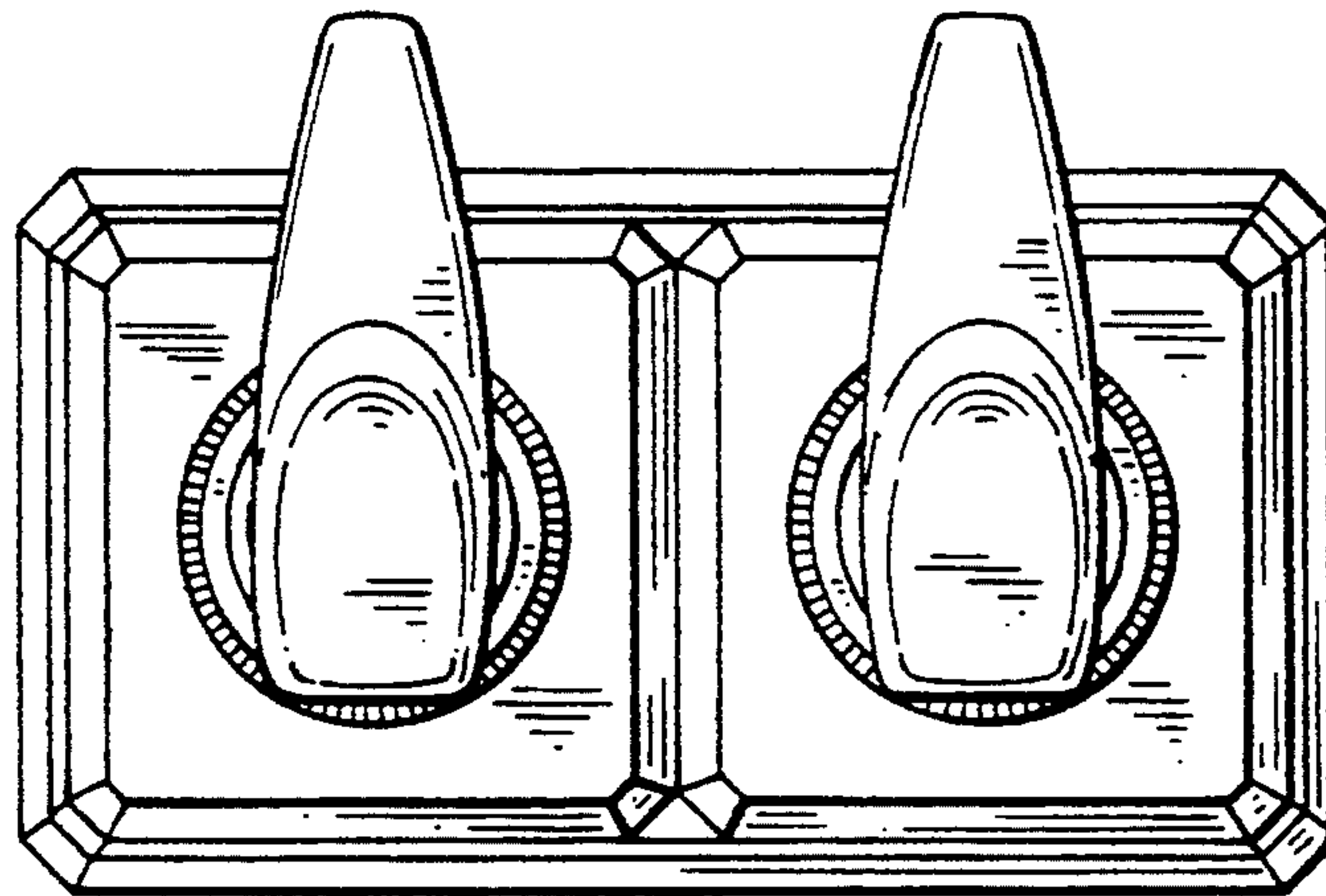


FIG. 5

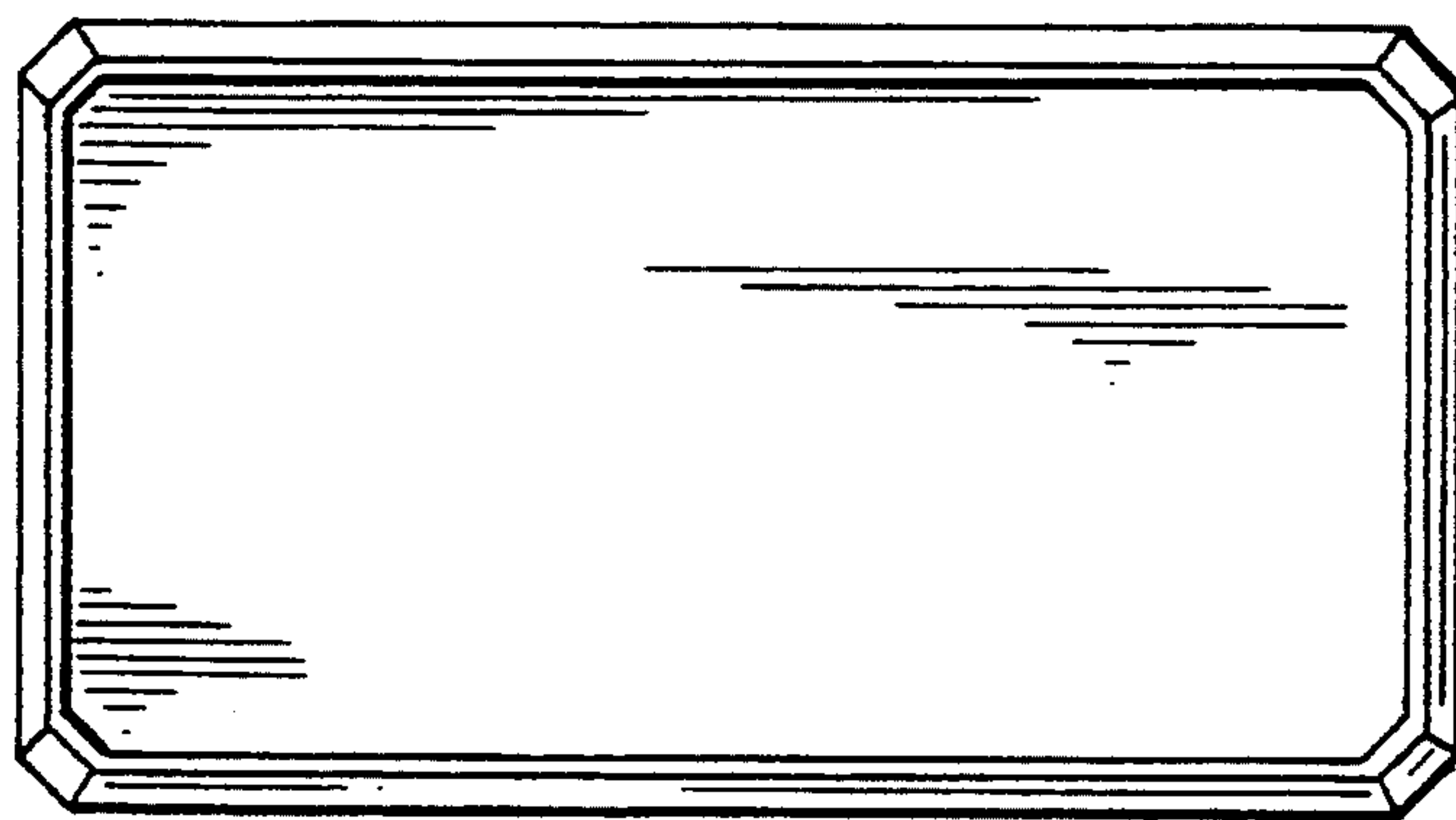


FIG. 6