



US00D356492S

United States Patent [19]

[11] Patent Number: **Des. 356,492**

Adams

[45] Date of Patent: **** Mar. 21, 1995**

[54] **DECORATIVE LIGHT HOLDER**

2,599,303 6/1952 Ward 248/229
5,249,108 9/1993 Gary 362/396 X

[75] Inventor: **William E. Adams**, Portersville, Pa.

[73] Assignee: **Adams Mfg. Corp.**, Portersville, Pa.

[**] Term: **14 Years**

Primary Examiner—Susan J. Lucas
Assistant Examiner—Cynthia E. Ramirez
Attorney, Agent, or Firm—Buchanan Ingersoll

[21] Appl. No.: **25,460**

[57] **CLAIM**

[22] Filed: **Jul. 1, 1994**

The ornamental design for a decorative light holder, as shown and described.

[52] U.S. Cl. **D8/395; D8/349; D26/138**

DESCRIPTION

[58] **Field of Search** D26/138, 140; D8/394, D8/395, 396; 248/225.31, 229, 230, 231, 231.6, 231.8, 309.1, 313, 316.1, 316.7; 362/190, 191, 396; 24/343, 455, 563, 543

FIG. 1 is a top plan view of my design for a decorative light holder;
FIG. 2 is a bottom view thereof;
FIG. 3 is a front view thereof;
FIG. 4 is a rear view thereof;
FIG. 5 is a right side view thereof;
FIG. 6 is a right side view of my design when the structure is in a folded, assembled condition; and,
FIG. 7 is a perspective view of the folded, assembled device.

[56] **References Cited**

U.S. PATENT DOCUMENTS

- D. 319,575 9/1991 Young D26/138 X
- D. 325,866 5/1992 Gary D26/138 X
- D. 340,183 10/1993 Rumpel D8/395

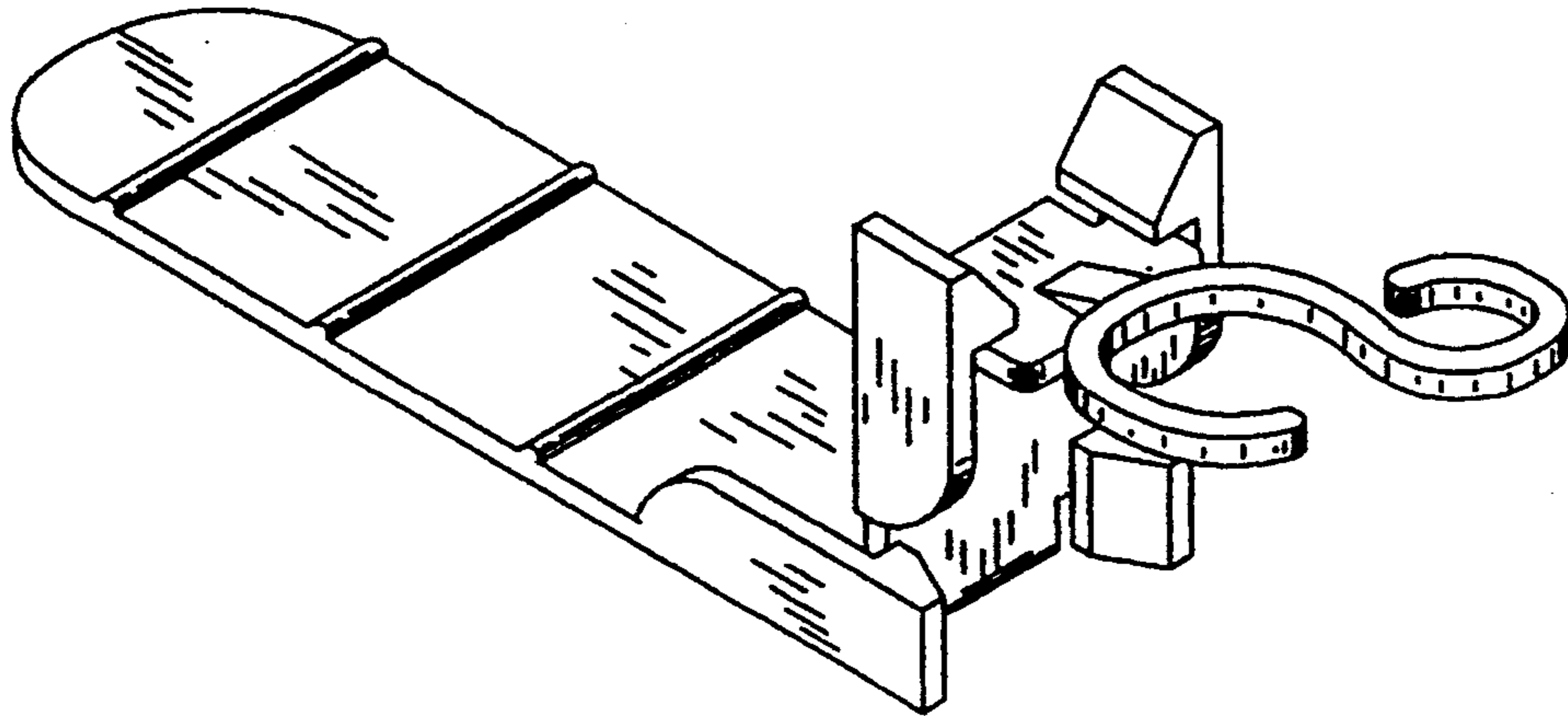


Fig.1.

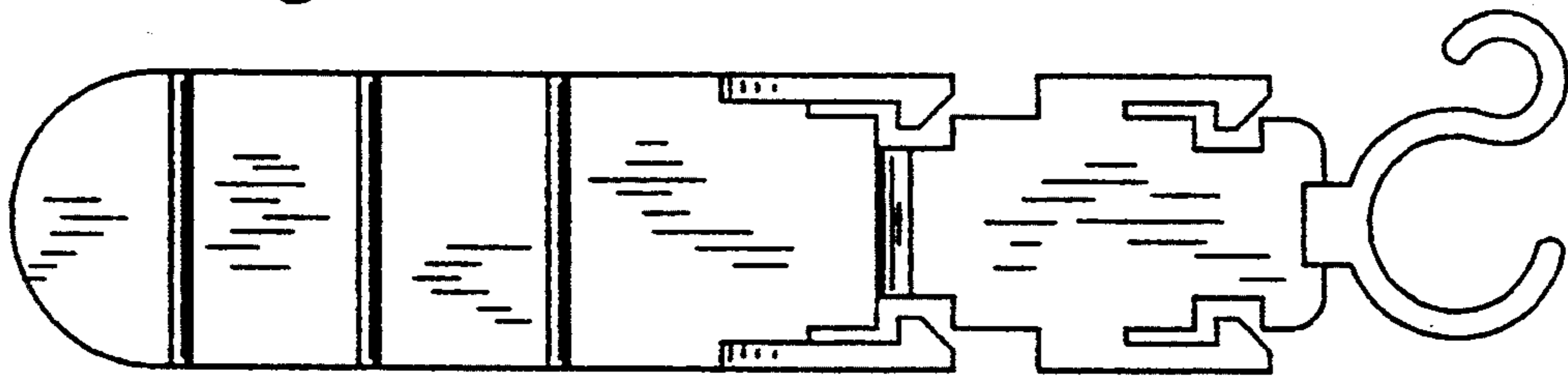


Fig.2.

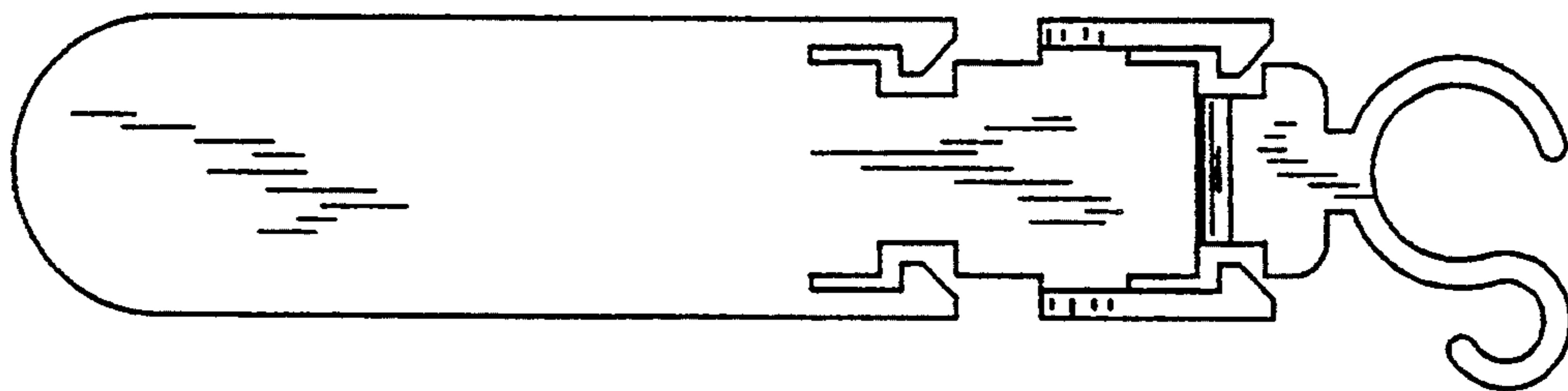


Fig.3.

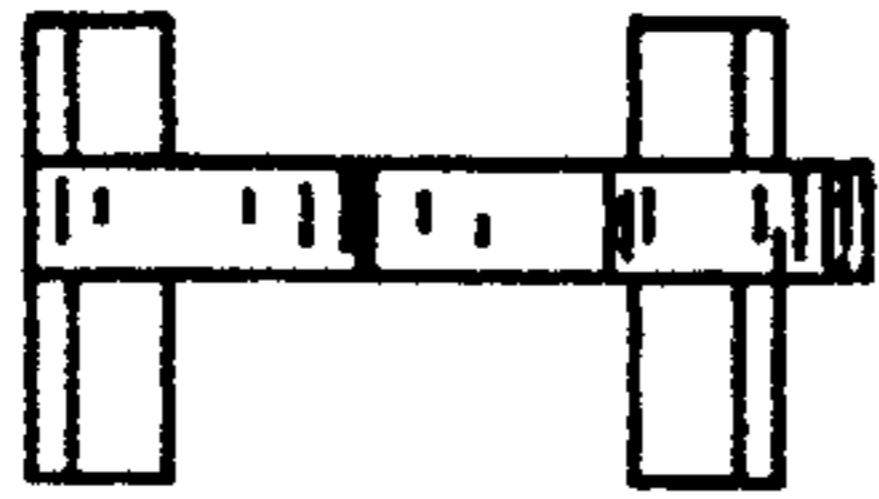


Fig.4.

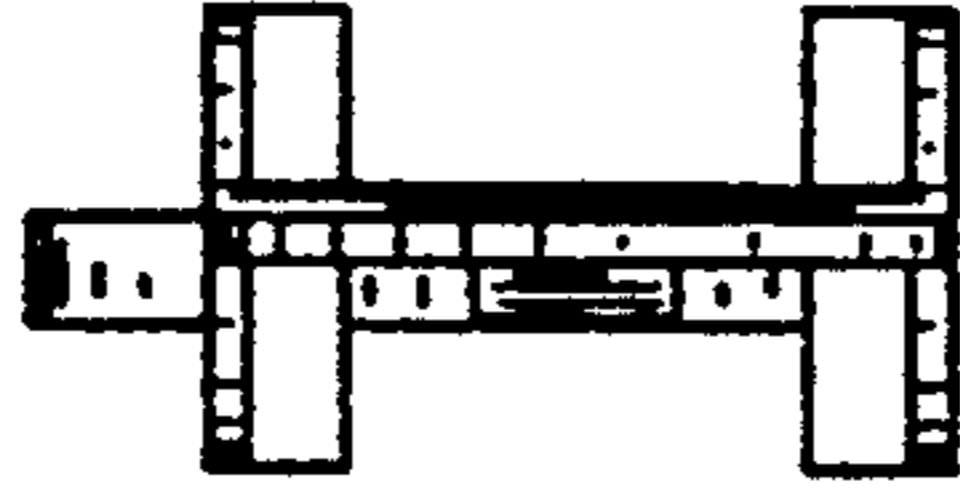


Fig.6.

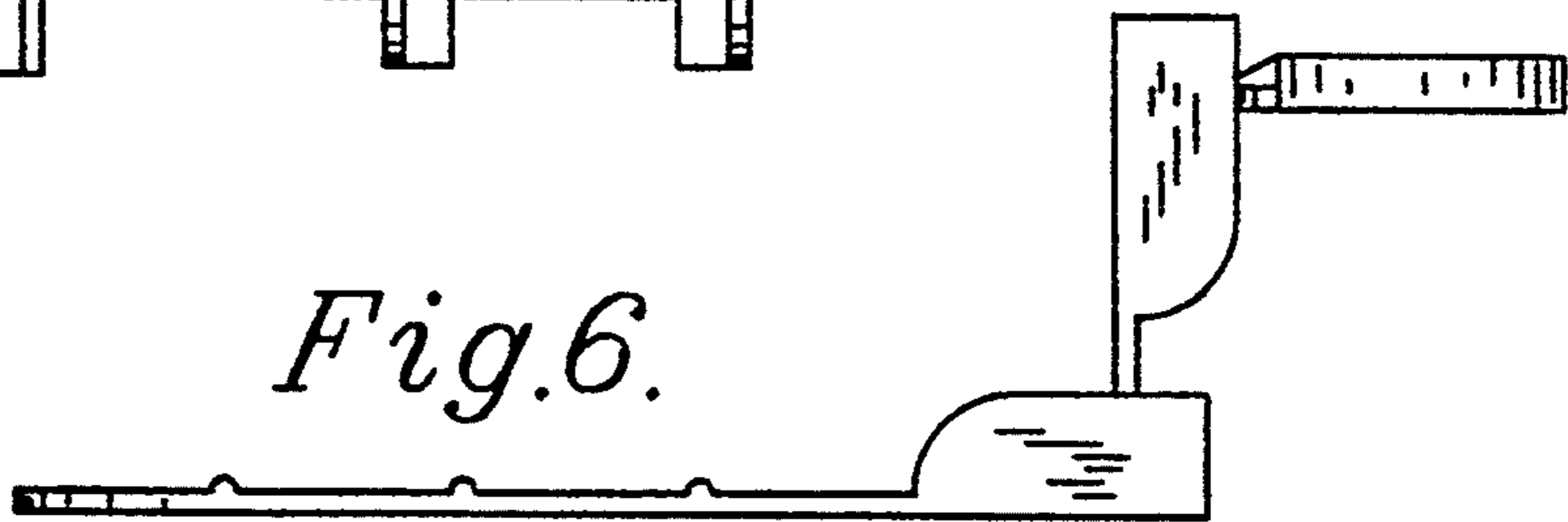


Fig.5.



Fig.7.

