



US00D356489S

# United States Patent [19] Scardaoni

[11] Patent Number: **Des. 356,489**

[45] Date of Patent: **\*\* Mar. 21, 1995**

[54] **SOAKER HOSE REEL**

[76] Inventor: **Eli Scardaoni**, 37 Tinton Crescent,  
Rexdale, Canada, M9V-2H9

[\*\*] Term: **14 Years**

[21] Appl. No.: **6,626**

[22] Filed: **Apr. 2, 1993**

[52] U.S. Cl. .... **D8/359**

[58] Field of Search ..... **D8/358-359;**  
242/60, 86.1-86.2, 96, 106

4,700,737 10/1987 Nelson ..... 137/355.27  
4,948,064 8/1990 Richard ..... 242/106

*Primary Examiner*—Wallace R. Burke  
*Assistant Examiner*—H. Baynham  
*Attorney, Agent, or Firm*—Terry M. Gernstein

[57] **CLAIM**

The ornamental design for a soaker hose reel, as shown and described.

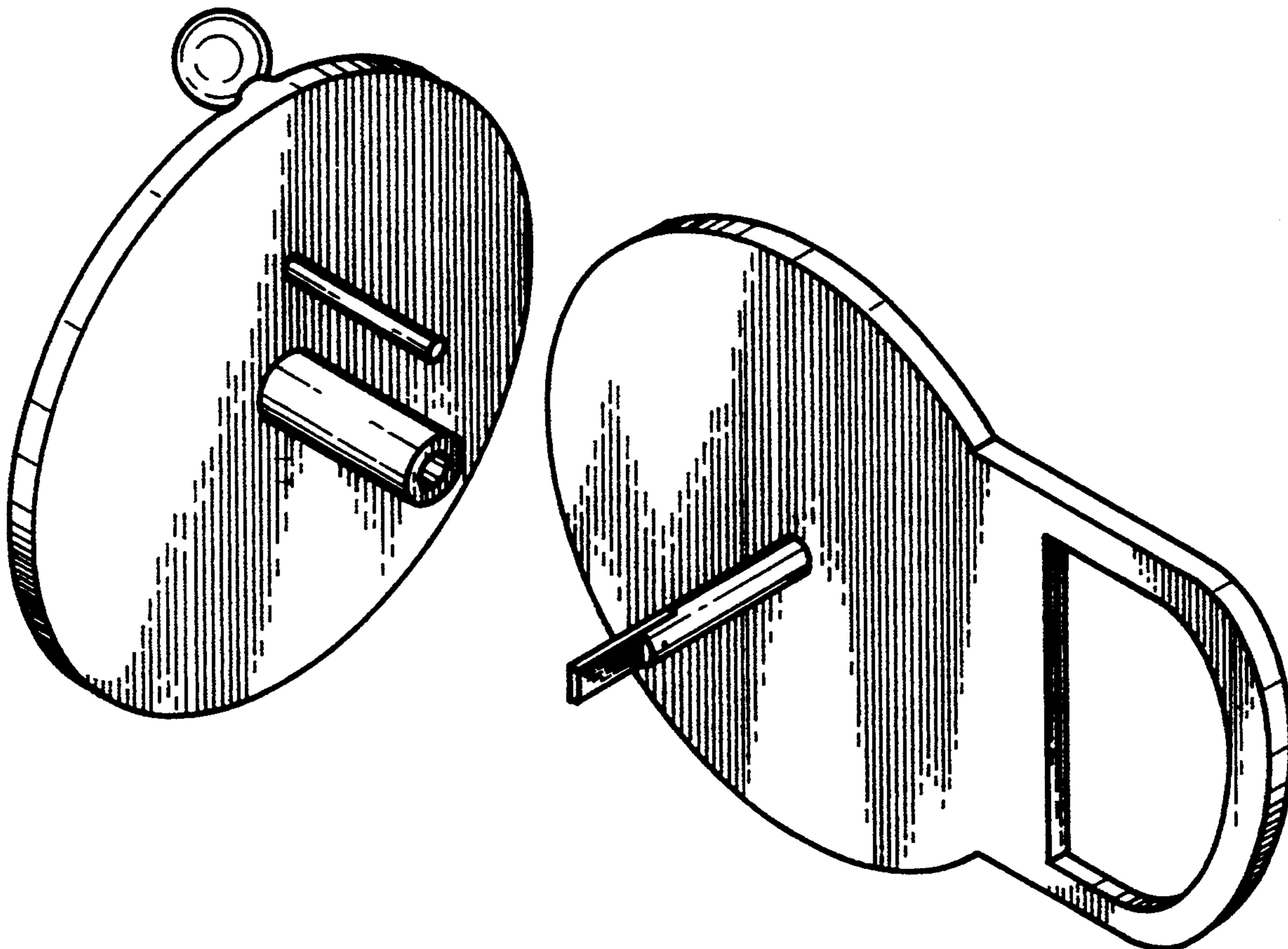
**DESCRIPTION**

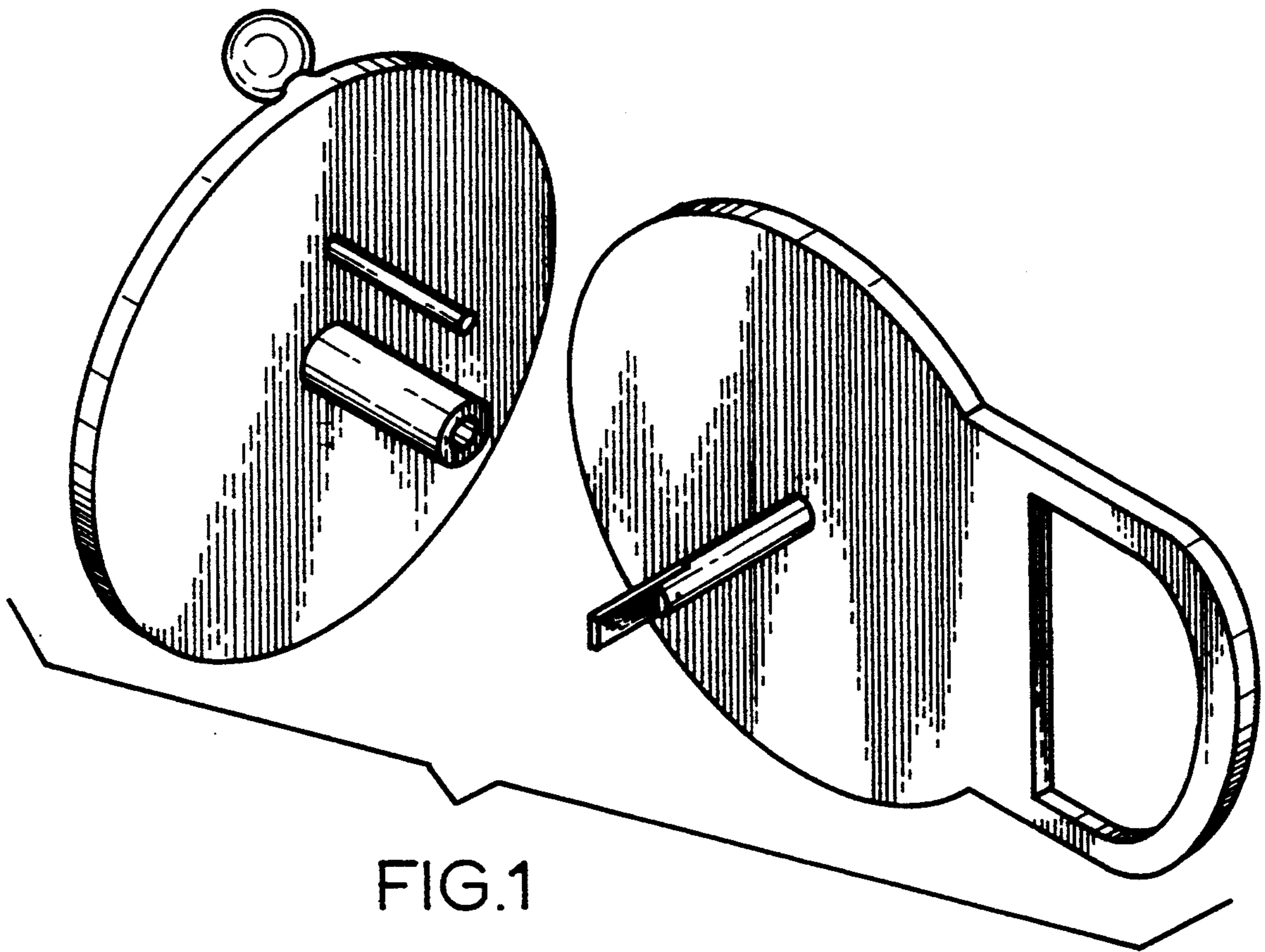
FIG. 1 is an exploded front, top and side perspective view of the soaker hose reel showing my new design; FIG. 2 is a front elevational view thereof; FIG. 3 is a rear elevational view thereof; FIG. 4 is an end elevational view thereof; FIG. 5 is an opposite end elevational view thereof; FIG. 6 is a top plan view thereof; and, FIG. 7 is a bottom plan view thereof.

[56] **References Cited**

**U.S. PATENT DOCUMENTS**

D. 273,559	4/1984	Butler	.....	D8/359
D. 292,669	11/1987	Fomby	.....	D8/359
D. 339,976	10/1993	Ferguson, Sr.	.....	D8/359
3,587,626	6/1971	Cowley	.....	137/355.27 X
4,137,939	2/1979	Chow	.....	137/355.27





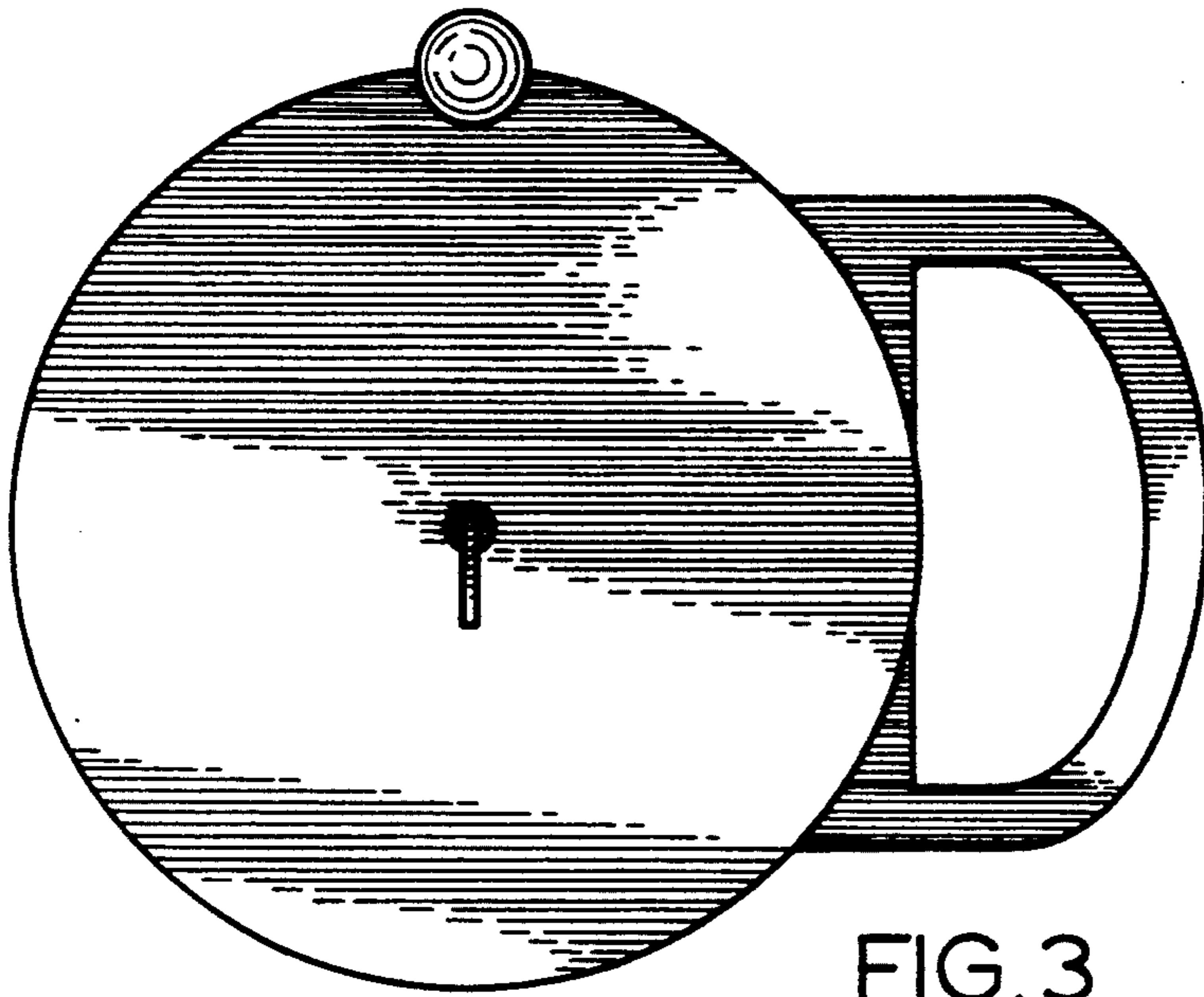


FIG. 3

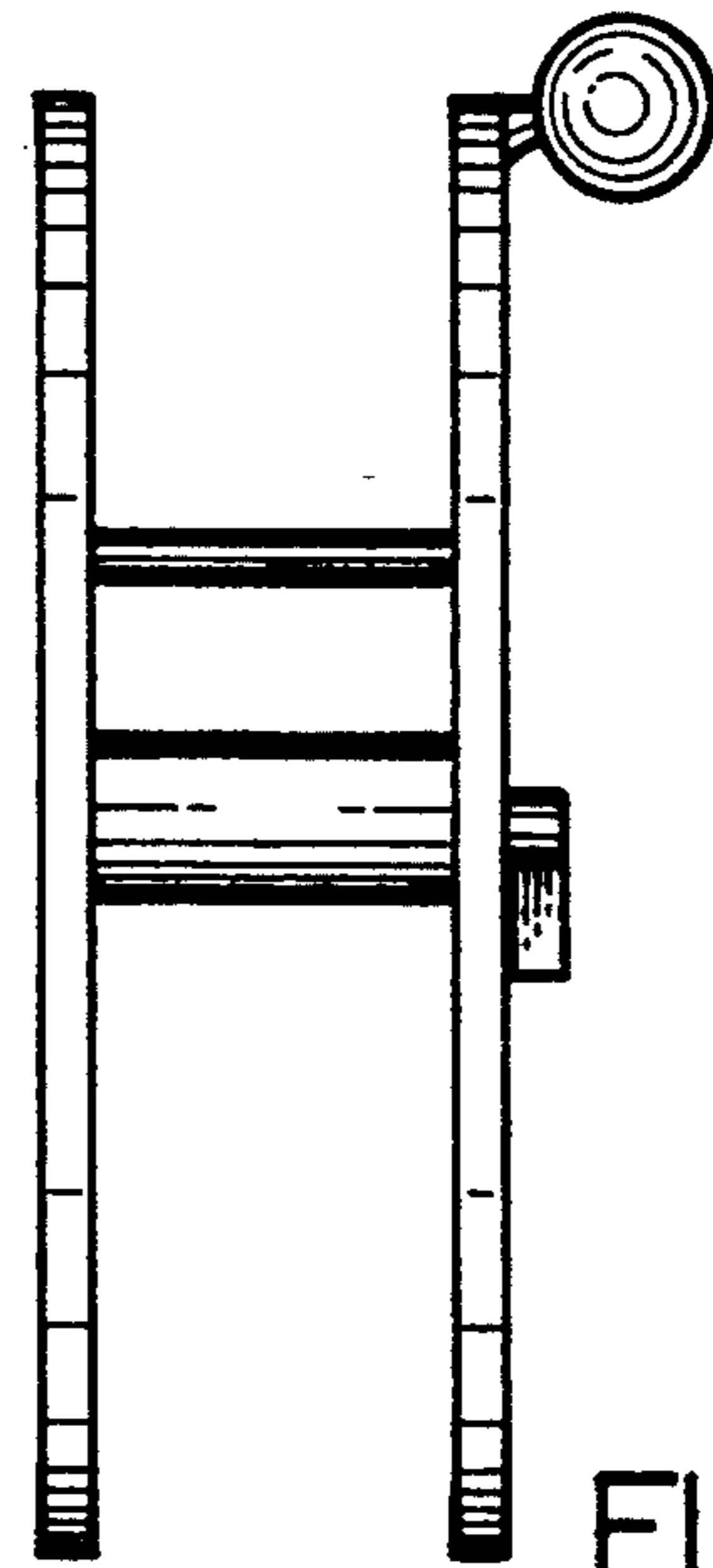


FIG. 4

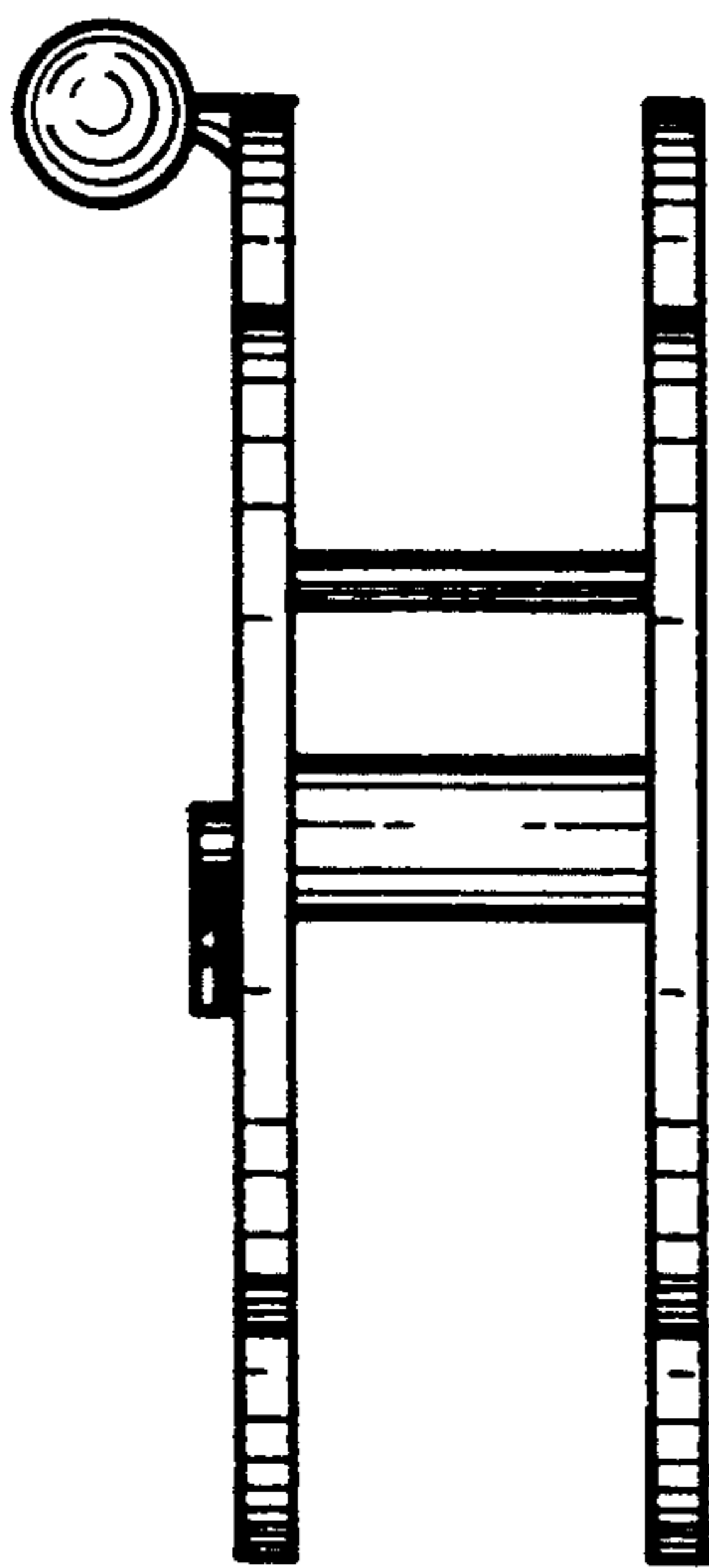


FIG. 5

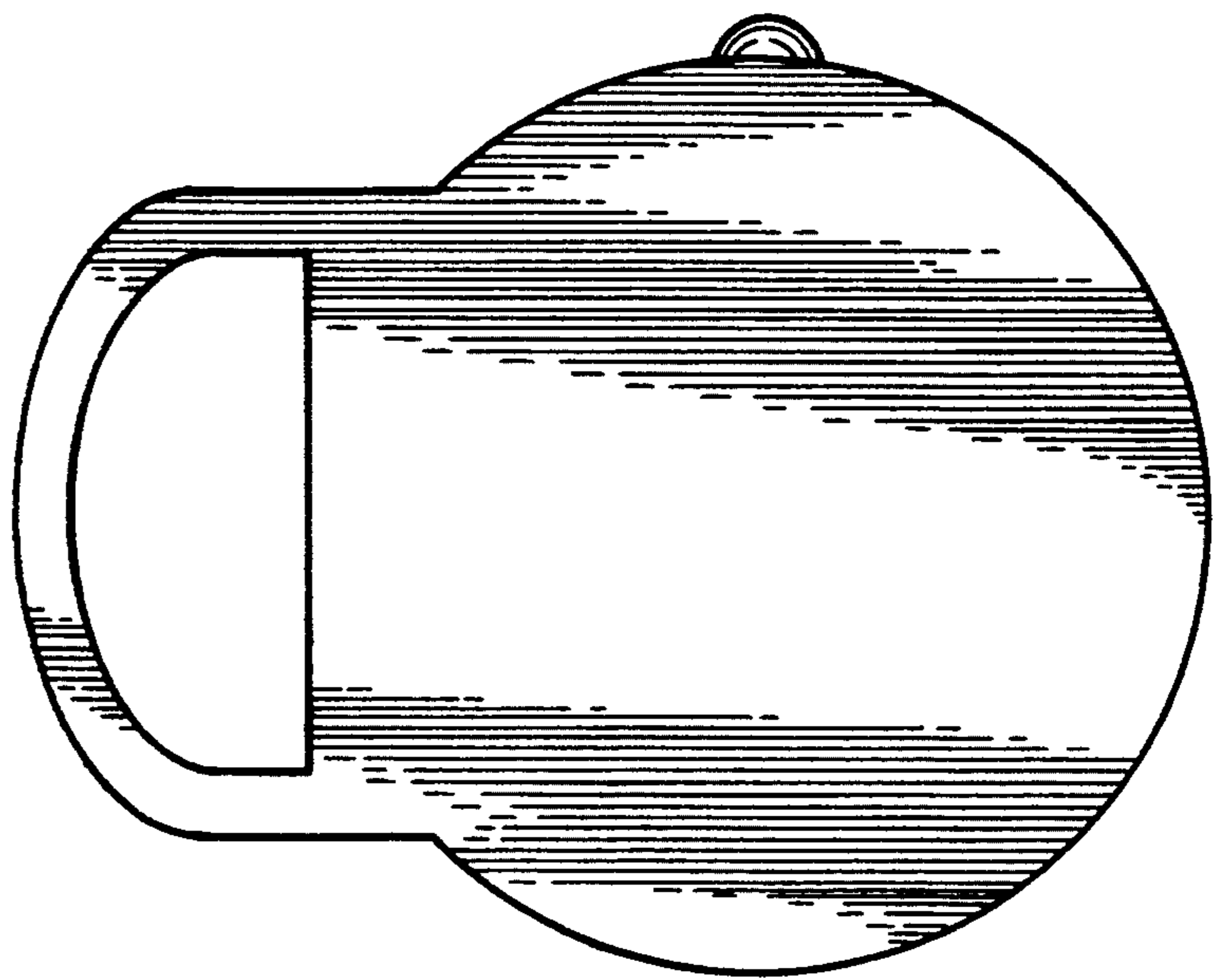


FIG. 2

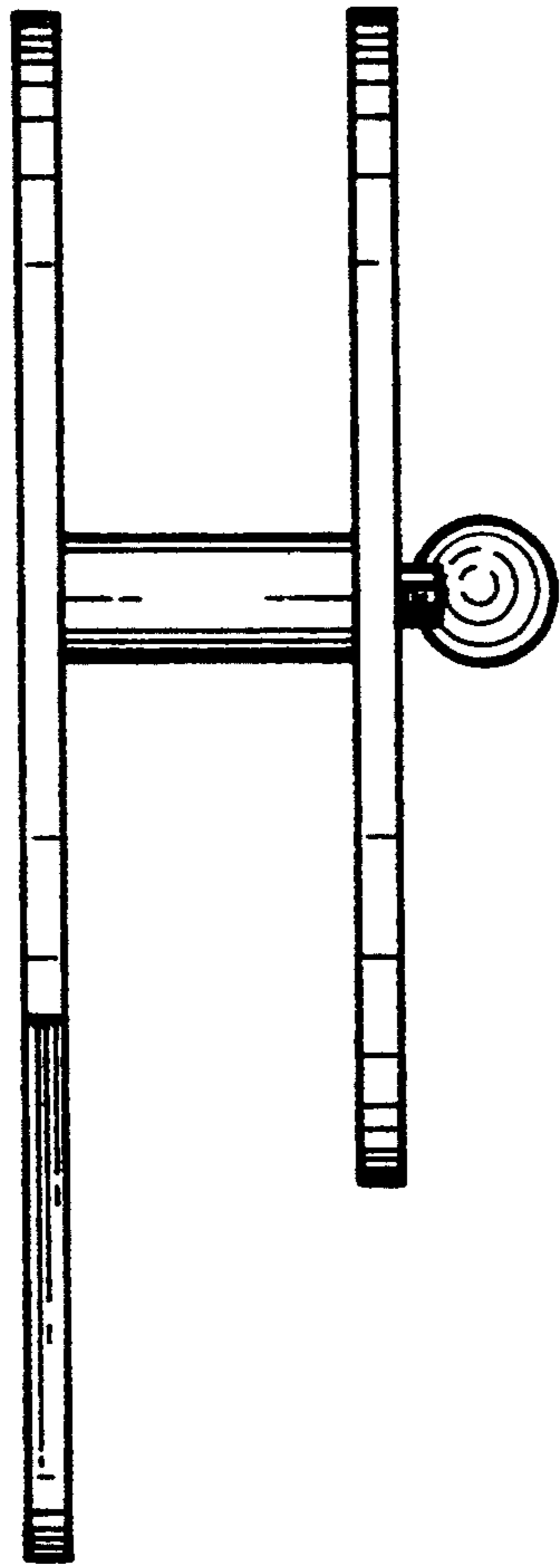


FIG. 7

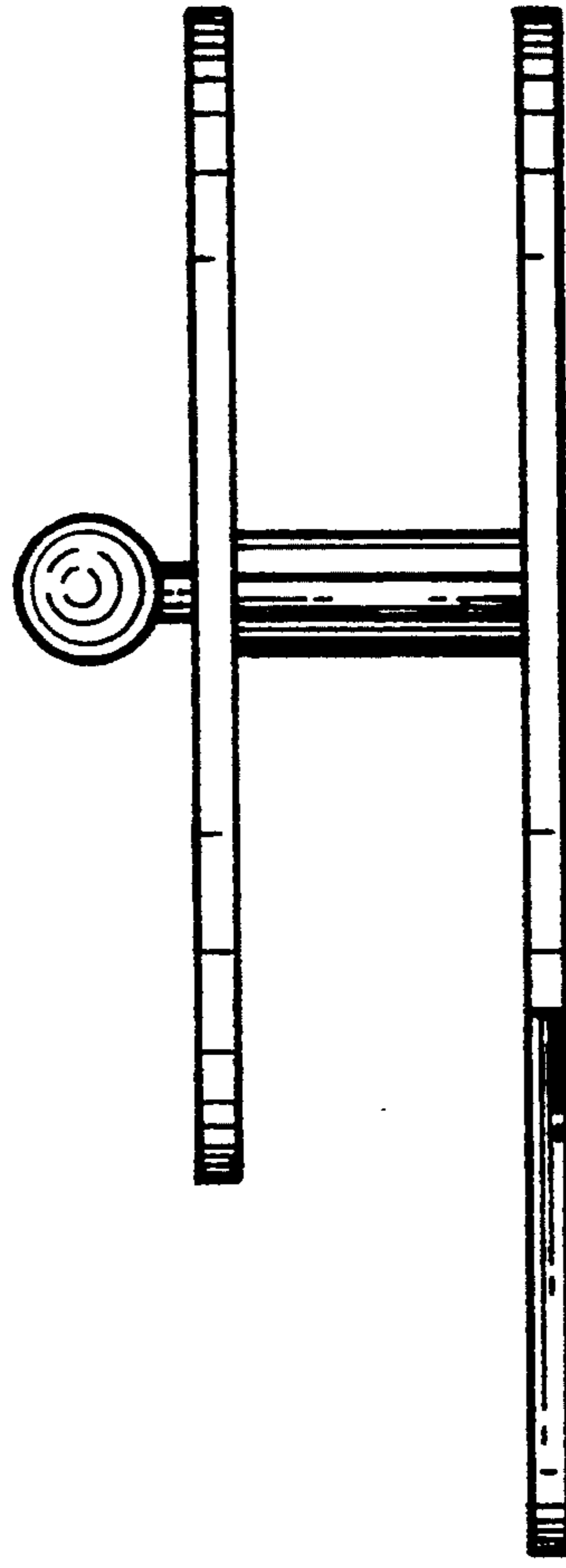


FIG. 6