



US00D356488S

United States Patent [19]

[11] Patent Number: **Des. 356,488**

Gehiere

[45] Date of Patent: **** Mar. 21, 1995**

[54] **BRACKET**

[76] Inventor: **Gary Gehiere, 25 Industrial Drive,
Unit 6, Elmira, Ontario, Canada,
N3B 3K3**

[**] Term: **14 Years**

[21] Appl. No.: **13,910**

[22] Filed: **Oct. 6, 1993**

[30] **Foreign Application Priority Data**

Apr. 14, 1993 [CA] Canada 1404931
[52] U.S. Cl. **D8/354**
[58] Field of Search D8/349, 354, 373;
248/223.4, 224.1-224.4, 215, 312.1; D25/119

[56] **References Cited**

U.S. PATENT DOCUMENTS

D. 26,742 3/1897 Caldwell D12/51

D. 257,993 1/1981 DeMars D8/366
D. 296,760 7/1988 McGrath D8/373
D. 326,403 5/1992 Kleiss D8/349
4,209,098 6/1980 Adams 248/224.2 X

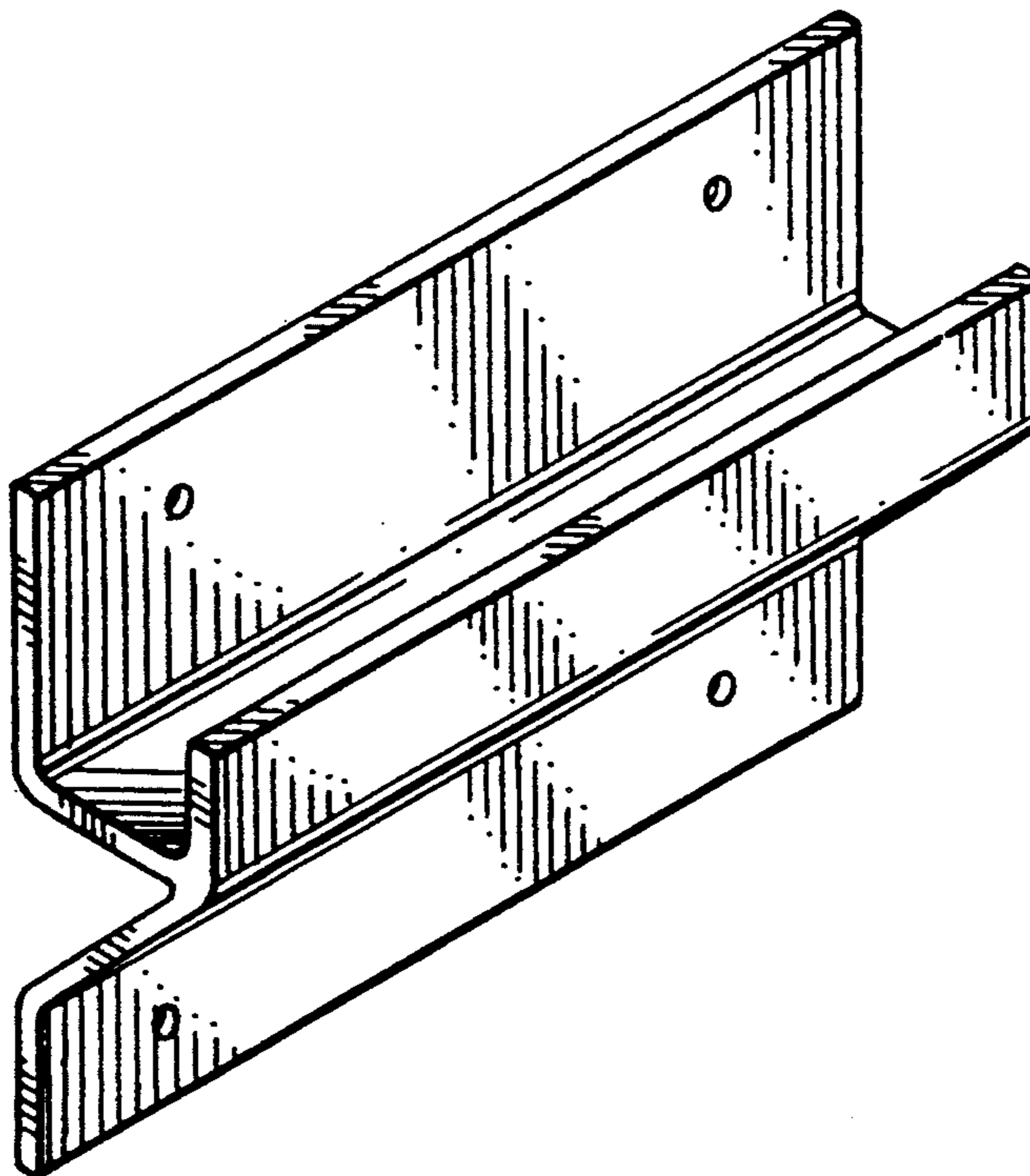
Primary Examiner—Wallace R. Burke
Assistant Examiner—H. Baynham
Attorney, Agent, or Firm—Jeffrey T. Imai; Arne I. Fors

[57] **CLAIM**

The ornamental design for a bracket, as shown and described.

DESCRIPTION

FIG. 1 is a perspective view of the design;
FIG. 2 is a top plan view thereof;
FIG. 3 is a side view thereof;
FIG. 4 is a front elevational view thereof;
FIG. 5 is a bottom plan view thereof;
FIG. 6 is an opposite side view thereof; and,
FIG. 7 is a back elevation view thereof.



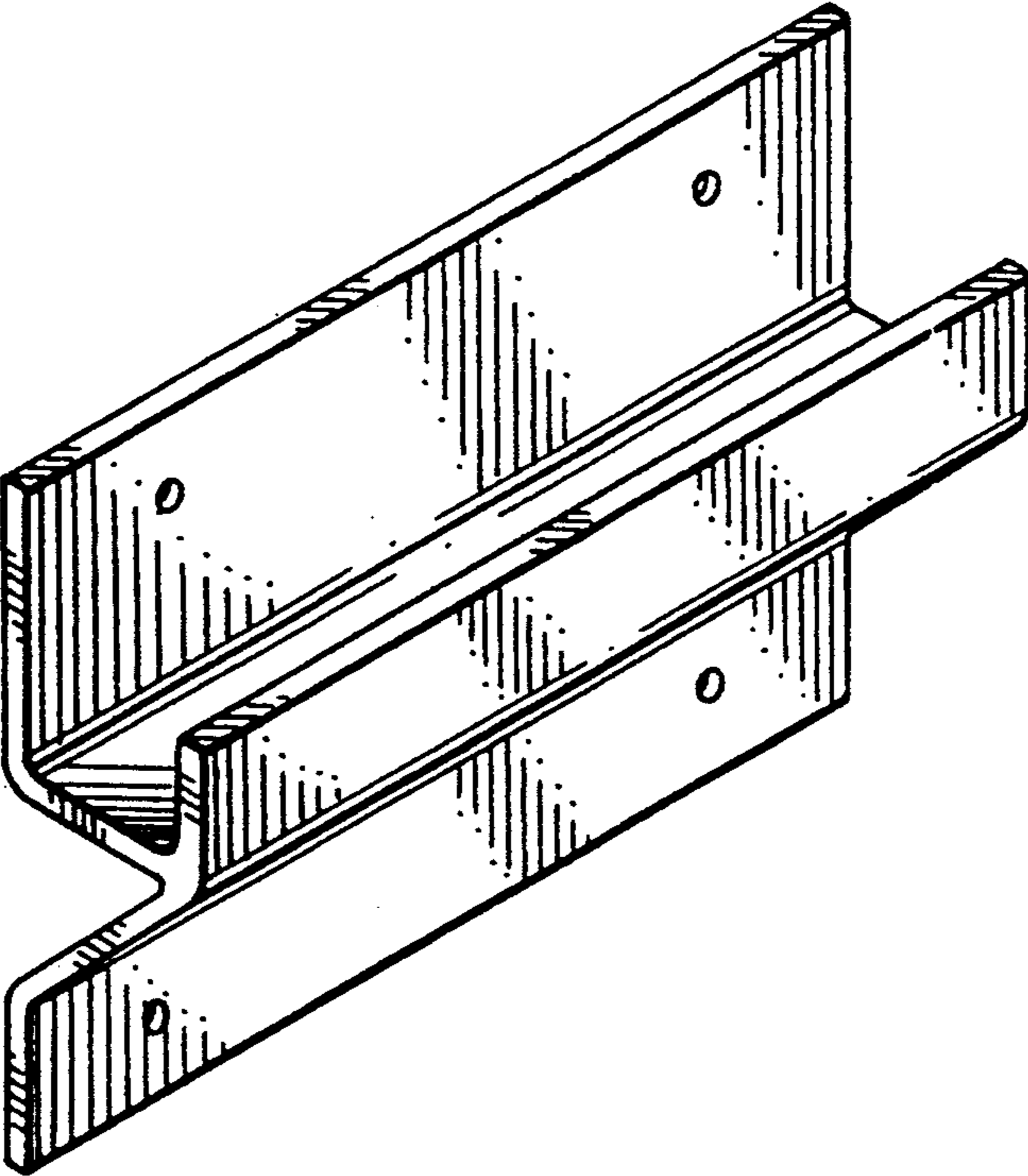


FIG. 1

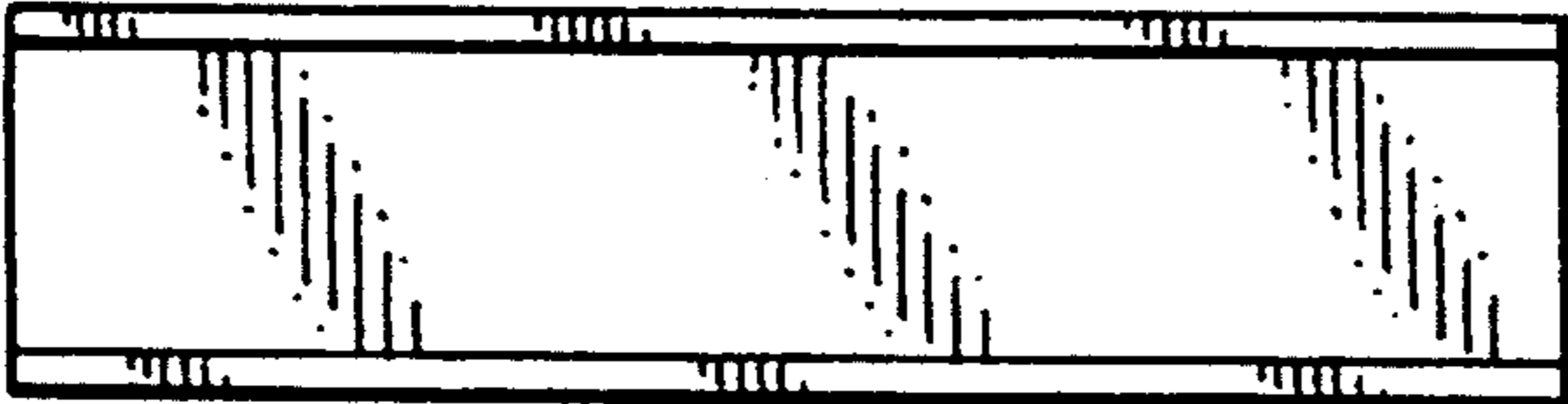


FIG. 2

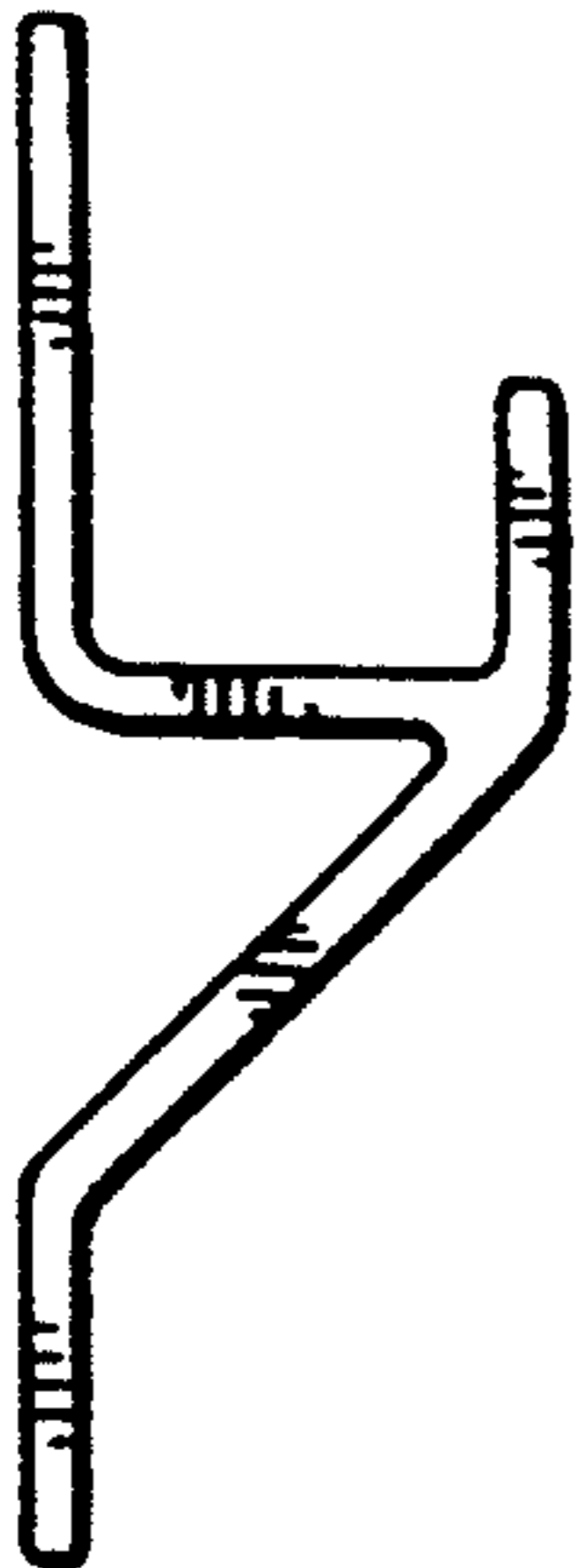


FIG. 3

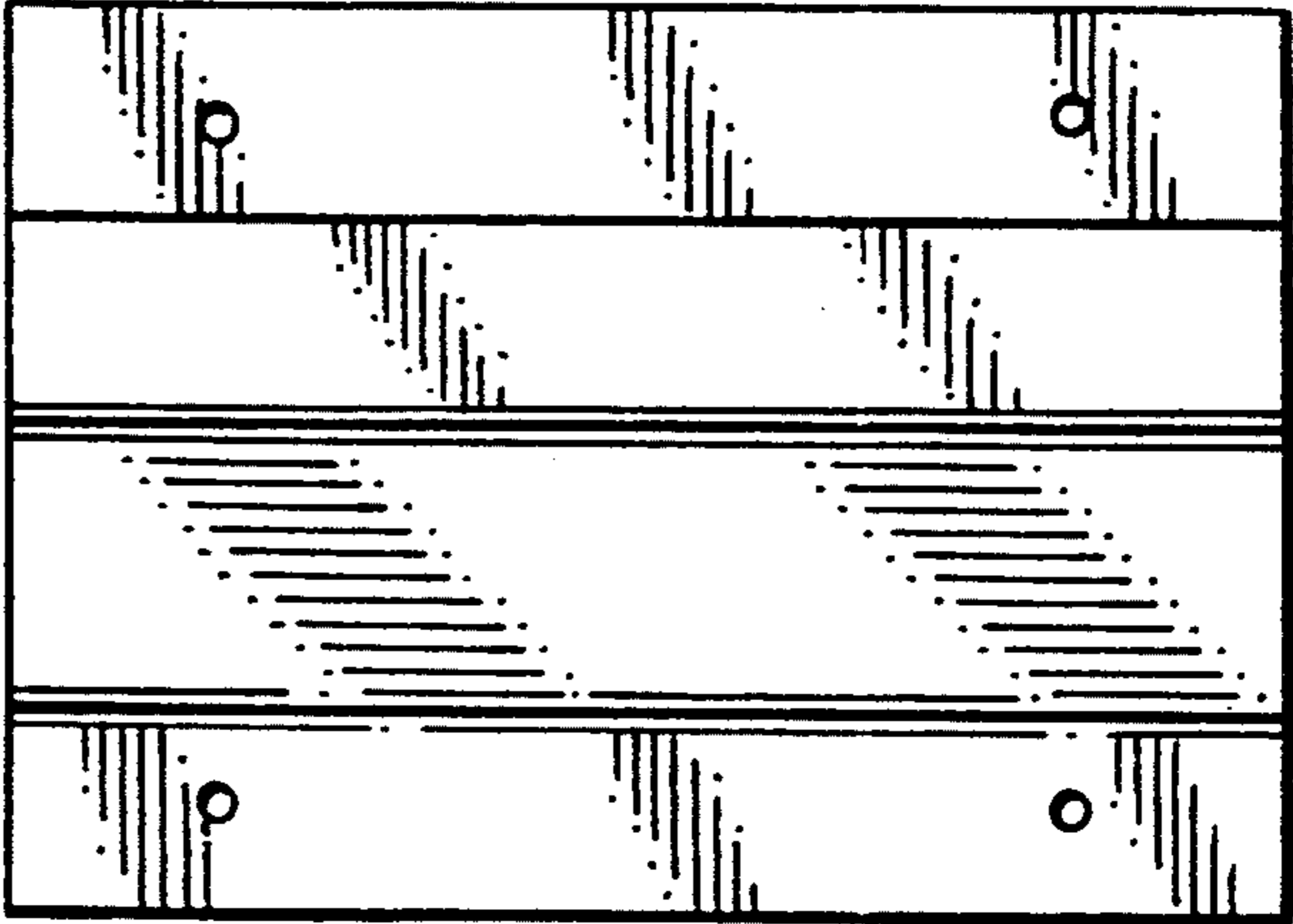


FIG. 4

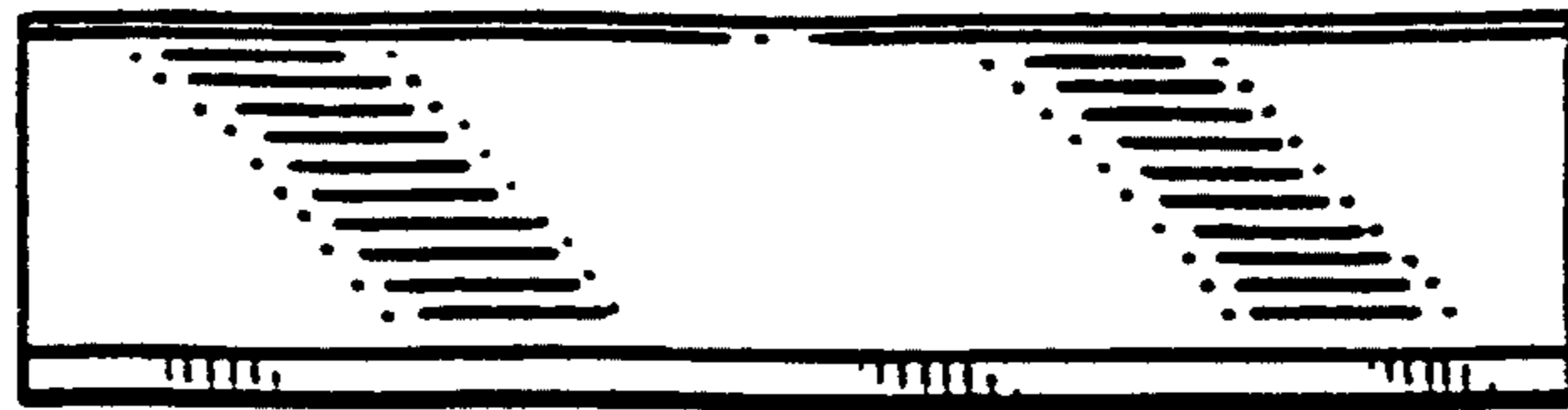


FIG. 5

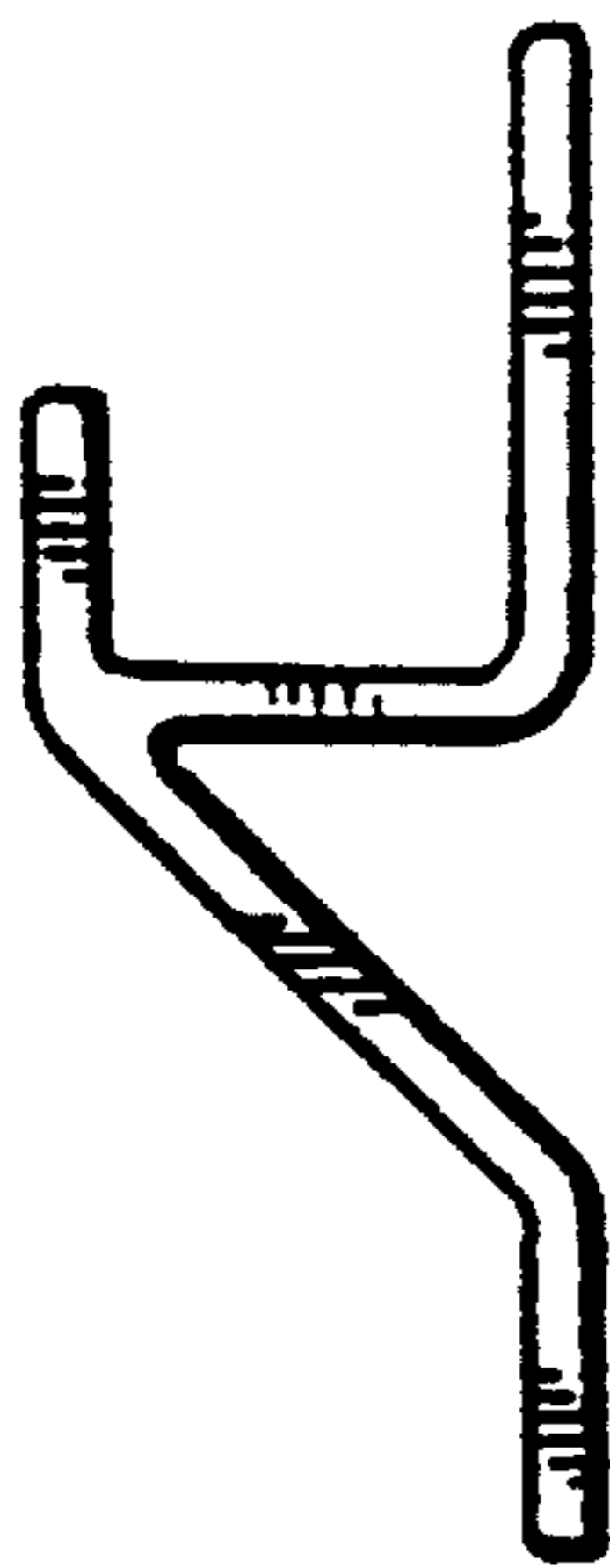


FIG. 6

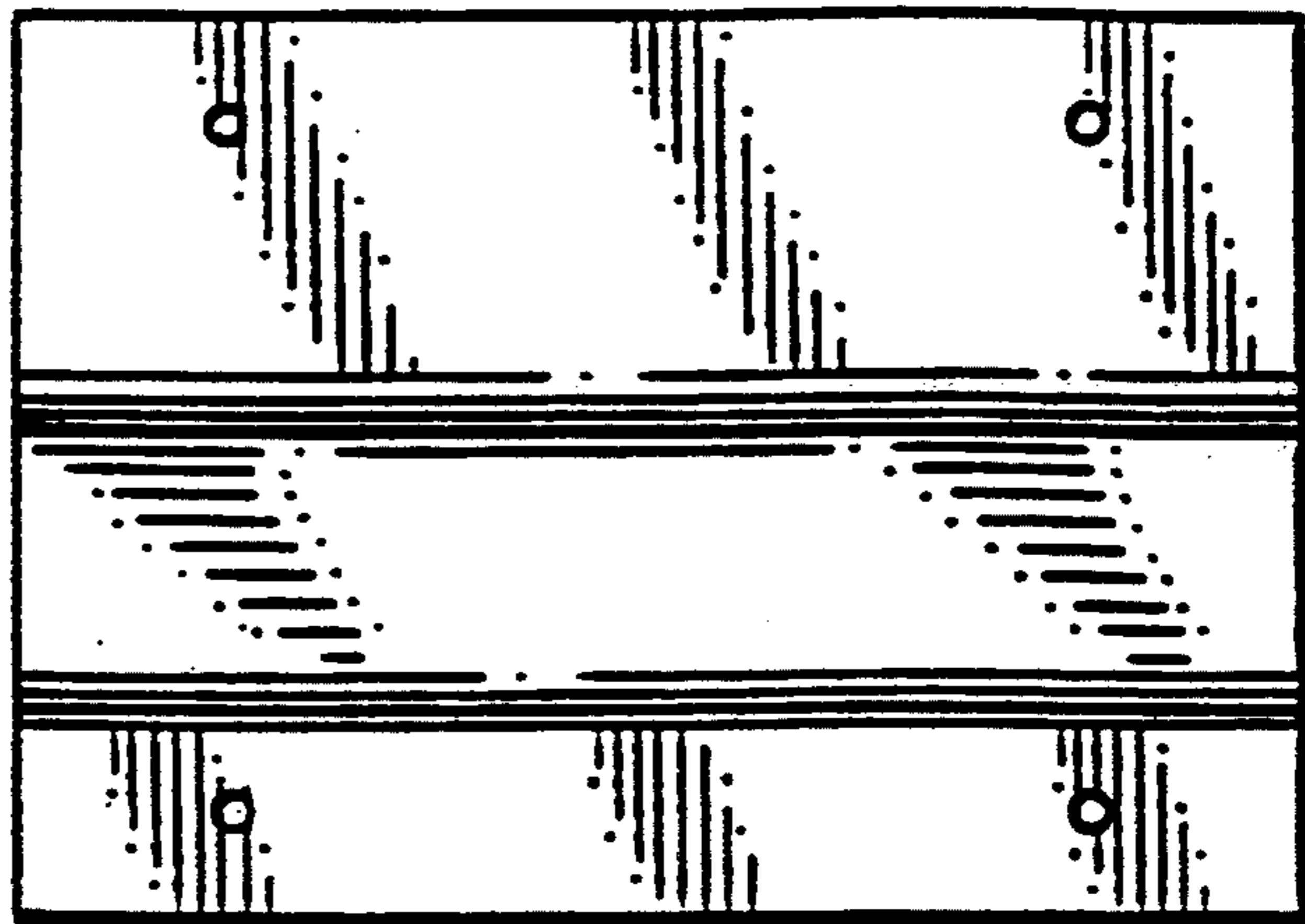


FIG. 7