



US00D356483S

United States Patent [19]

[11] Patent Number: Des. 356,483

Fultz et al.

[45] Date of Patent: ** Mar. 21, 1995

[54] DRILL BIT SHARPENING ATTACHMENT

[76] Inventors: **Tim Fultz**, 9576 E Dixie Pkwy.;
Randel D. Manley, 3757 N 900N Lot
#7, both of Cromwell, Ind. 46732

4,270,315	6/1981	Reiling et al.	51/219 R
4,547,999	10/1985	Reiling et al.	51/219 R
4,566,227	1/1986	Wolff	51/219 R
4,744,178	5/1988	Afshar	51/219 R
4,974,372	12/1990	Chantalat	51/219 R

[**] Term: 14 Years

Primary Examiner—Bernard Ansher
Assistant Examiner—Philip Hyder
Attorney, Agent, or Firm—Terry M. Gernstein

[21] Appl. No.: 15,639

[22] Filed: Nov. 23, 1993

[52] U.S. Cl. D8/91; D8/51;
D8/71; D15/126

[58] Field of Search D8/14, 51, 52, 71, 72;
51/219 R, 215 CP, 215 H, 5 R; D15/140, 141,
126, 124

[57] CLAIM

The ornamental design for drill bit sharpening attachment, as shown and described.

DESCRIPTION

FIG. 1 is a front, top and side perspective view of the drill bit sharpening attachment showing our new design;

FIG. 2 is a front end elevational view thereof, the rear end being a mirror image of the front shown in FIG. 2;

FIG. 3 is a left side elevational view thereof;

FIG. 4 is a right side elevational view thereof;

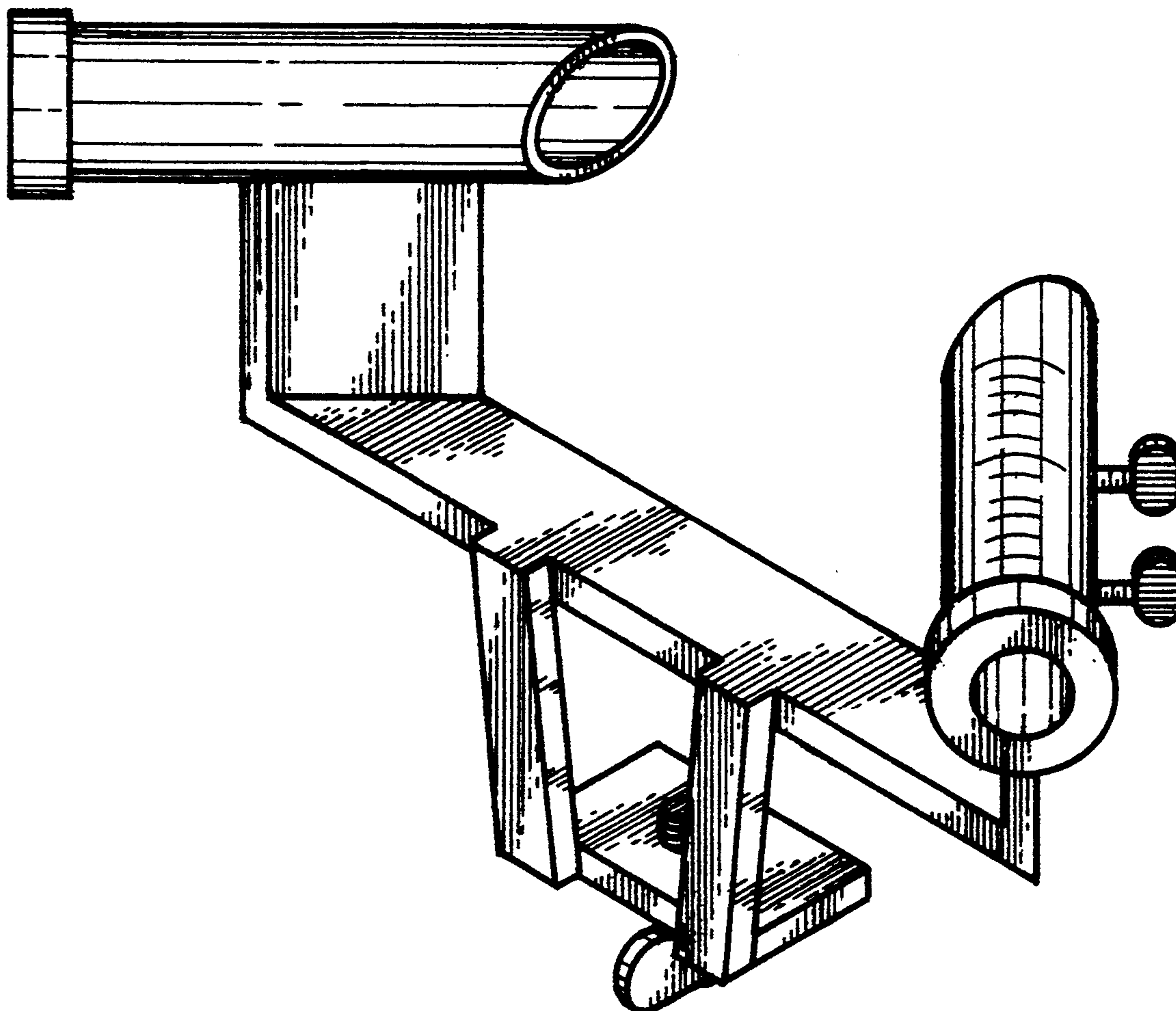
FIG. 5 is a top plan view thereof; and,

FIG. 6 is a bottom plan view thereof.

[56] References Cited

U.S. PATENT DOCUMENTS

D. 151,792	11/1948	Smith	D8/72
2,730,849	1/1956	Novak	51/219 R
3,374,587	3/1968	Simpkins	51/219 R
3,626,645	12/1971	Rochet	51/219 R
4,142,332	3/1979	Clarke	51/219 R
4,176,499	12/1979	Mazoff	51/219 R



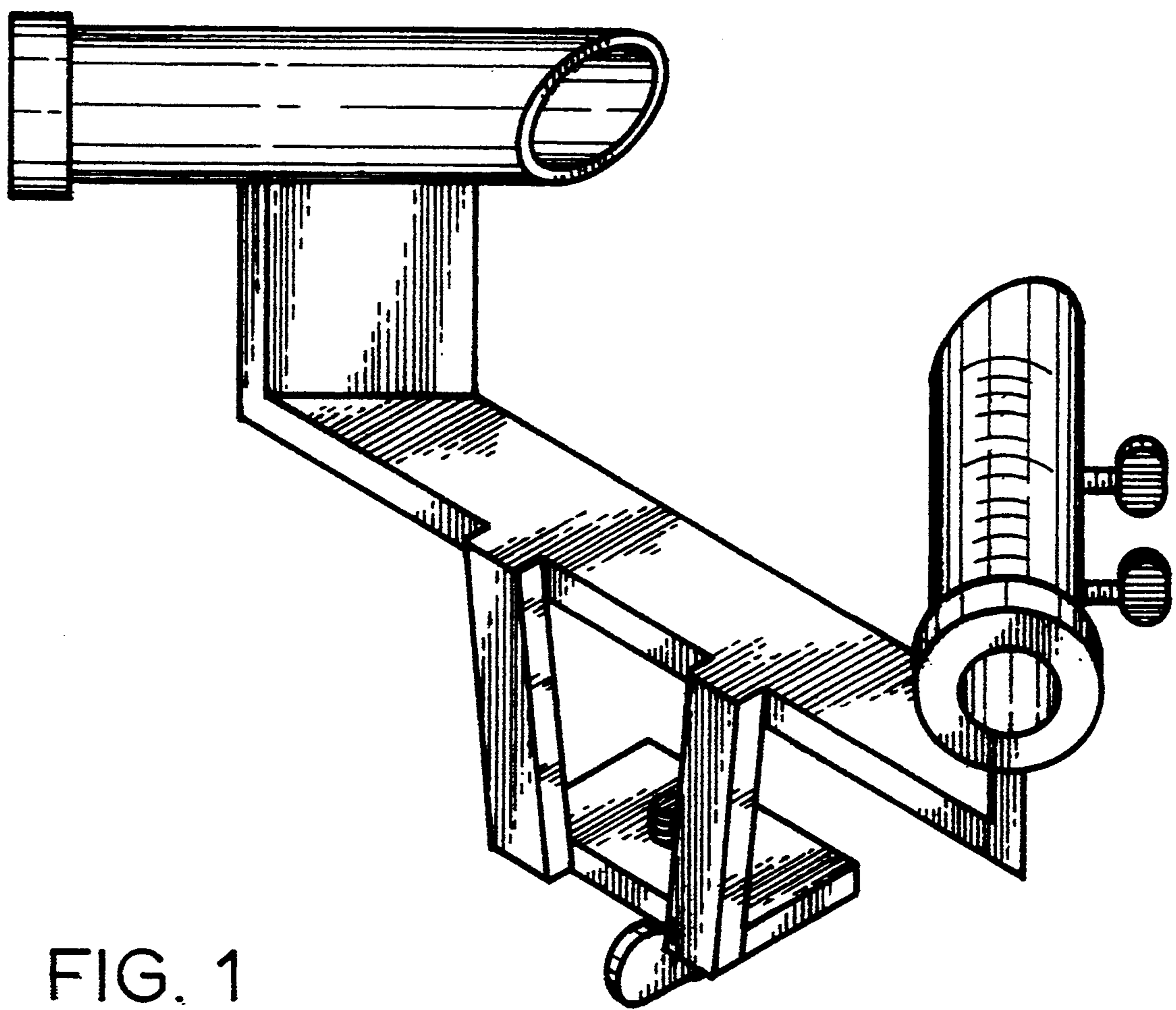
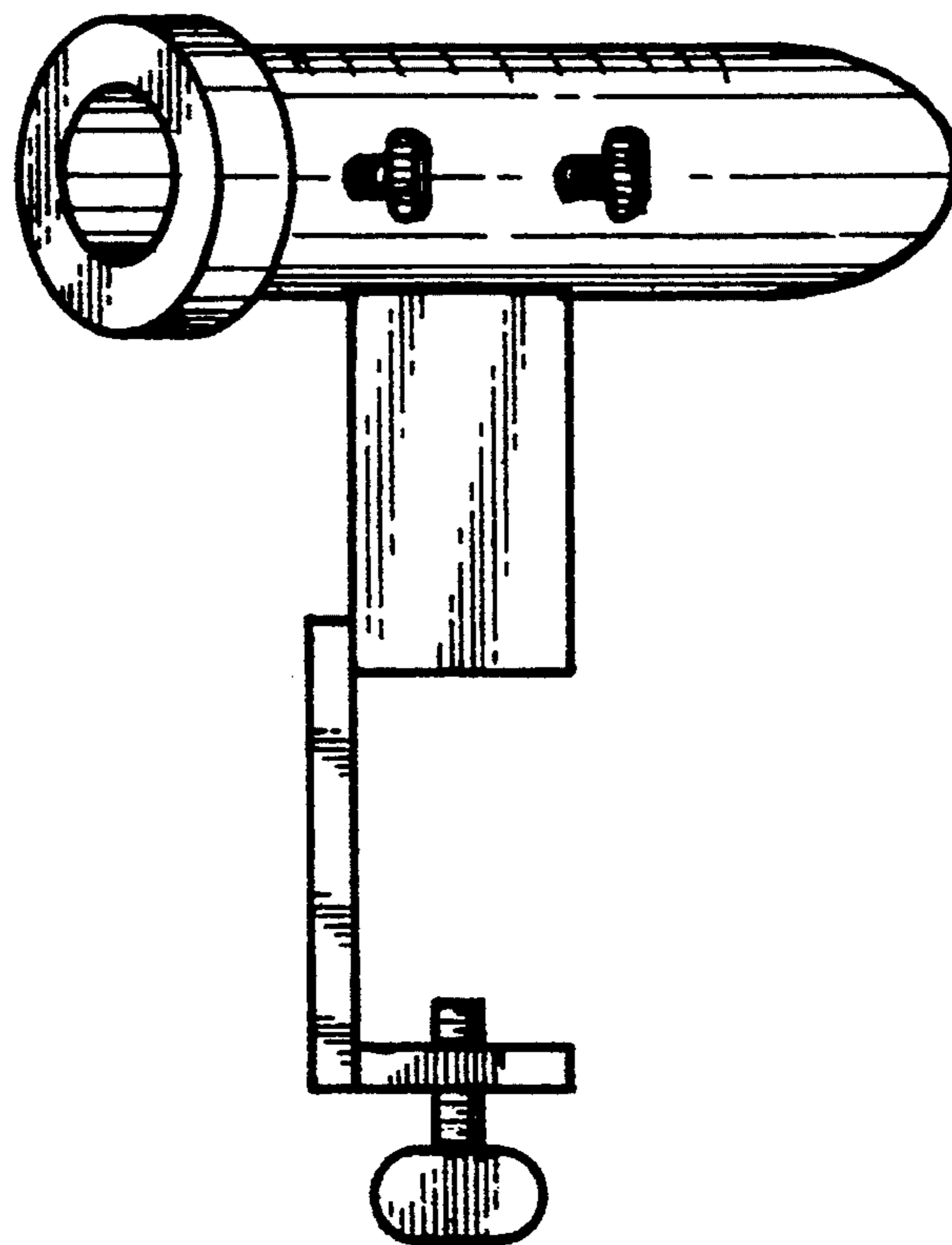


FIG. 1

FIG. 2



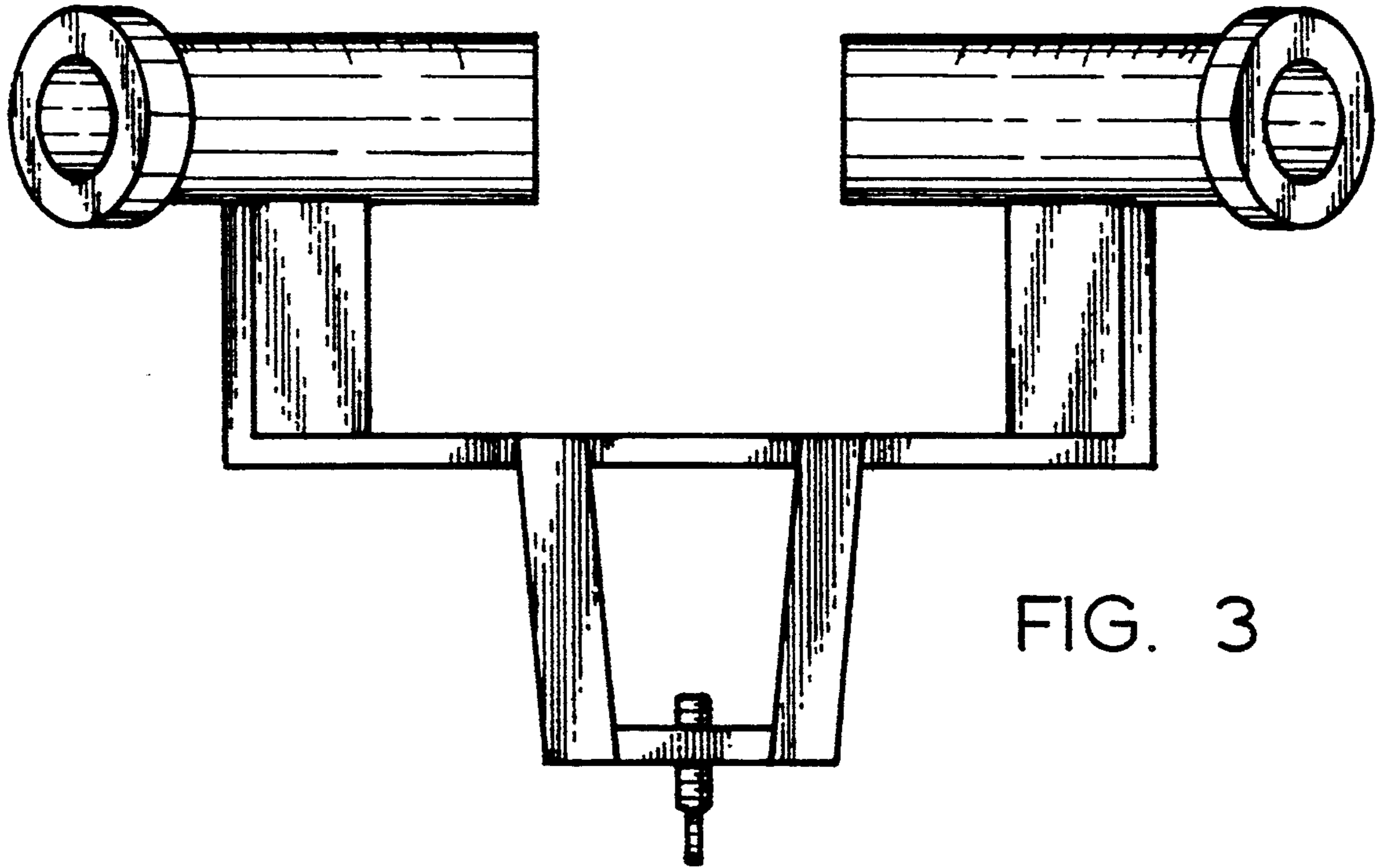


FIG. 3

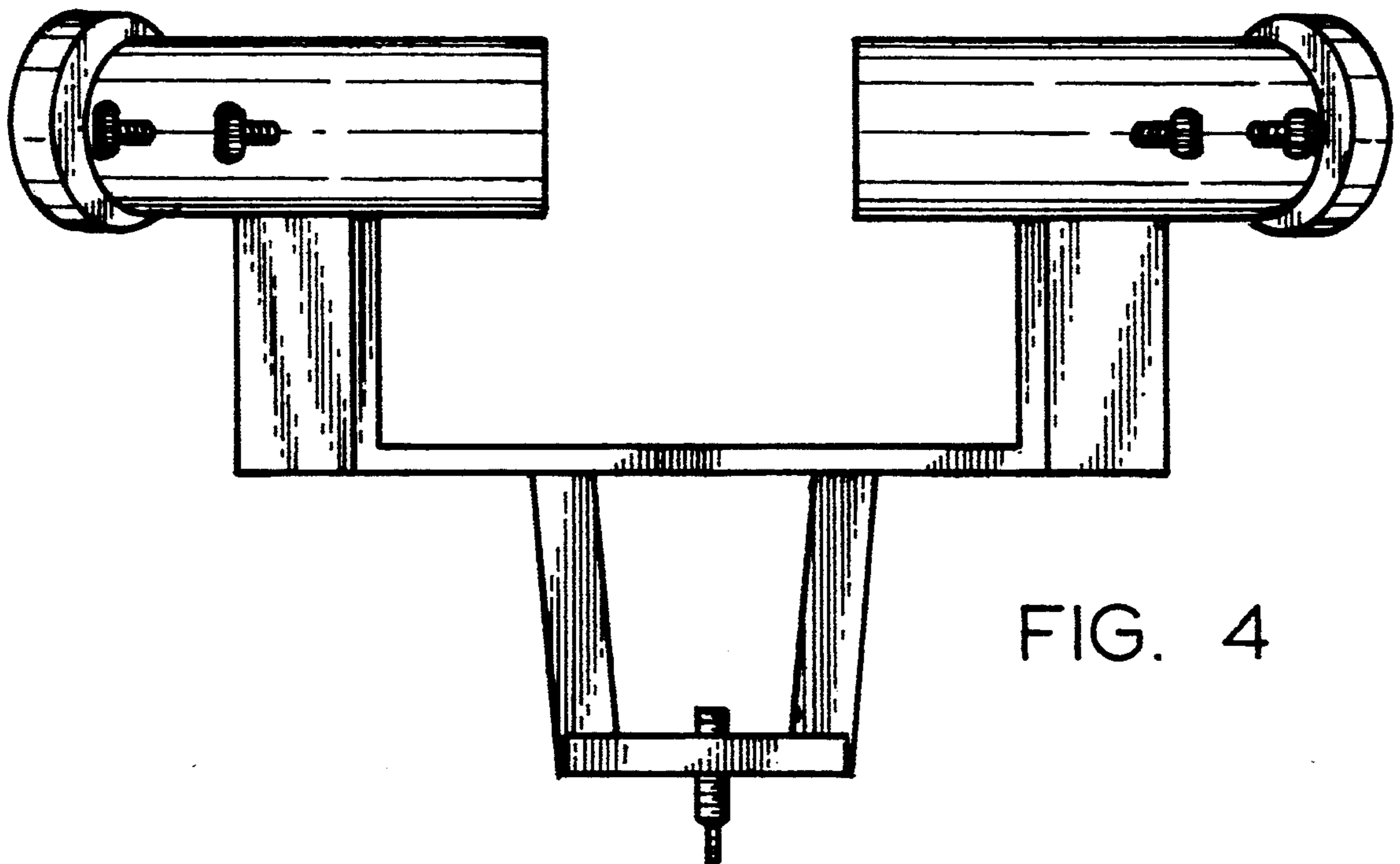


FIG. 4

