



US00D356478S

United States Patent [19]

[11] Patent Number: Des. 356,478

Heskey et al.

[45] Date of Patent: ** Mar. 21, 1995

- [54] CONNECTOR CRIMPING TOOL
- [75] Inventors: George T. Heskey, Derry; Marc A. Laroche, Manchester; Mark W. Blake, Wilton, all of N.H.
- [73] Assignee: Burndy Corporation, Norwalk, Conn.
- [**] Term: 14 Years
- [21] Appl. No.: 21,046
- [22] Filed: Apr. 8, 1994
- [52] U.S. Cl. D8/61; D8/68
- [58] Field of Search D8/61, 68; 72/453.03, 72/453.02, 452, 451; 81/10; 30/228, 272, 245

- 5,195,354 3/1993 Yasui et al. 72/453.03
- 5,272,811 12/1993 Armand 30/228

OTHER PUBLICATIONS

Advertisement, "Robo*Crimp", CEE News, Oct. 1989, 1 page.
 Advertisement, Model REC-58 Robo*Crimp, T&D Construction Tools, 1993, 1 page.

Primary Examiner—Alan P. Douglas
 Assistant Examiner—J. H. Musgrove
 Attorney, Agent, or Firm—Perman & Green

[57] CLAIM

The ornamental design for a connector crimping tool, as shown and described.

- [56] **References Cited**
- U.S. PATENT DOCUMENTS**
- 2,158,855 5/1939 Eby et al. 140/113
- 2,180,979 11/1939 Eby et al. 140/113
- 2,343,595 3/1944 Van Sittert 78/48
- 3,386,298 6/1968 Klingler 72/451
- 3,492,854 2/1970 Eppler 72/451
- 4,084,460 4/1978 Garofalo 81/10
- 4,475,374 10/1984 Sakai et al. 72/452
- 4,774,762 10/1988 Gobeil 29/861
- 4,932,237 6/1990 Hatfield 72/452
- 4,956,992 9/1990 Undin 72/451
- 5,111,681 5/1992 Yasui et al. 72/453.03

DESCRIPTION

FIG. 1 is a perspective view of a connector crimping tool showing our new design;
 FIG. 2 is a left side elevational view thereof, the opposite right side being a mirror image thereof;
 FIG. 3 is a front elevational view thereof;
 FIG. 4 is a rear elevational view thereof;
 FIG. 5 is a top plan view thereof; and,
 FIG. 6 is a bottom plan view thereof.
 The broken lines showing of the crimping head is for illustrative purposes only and forms no part of the claimed design.

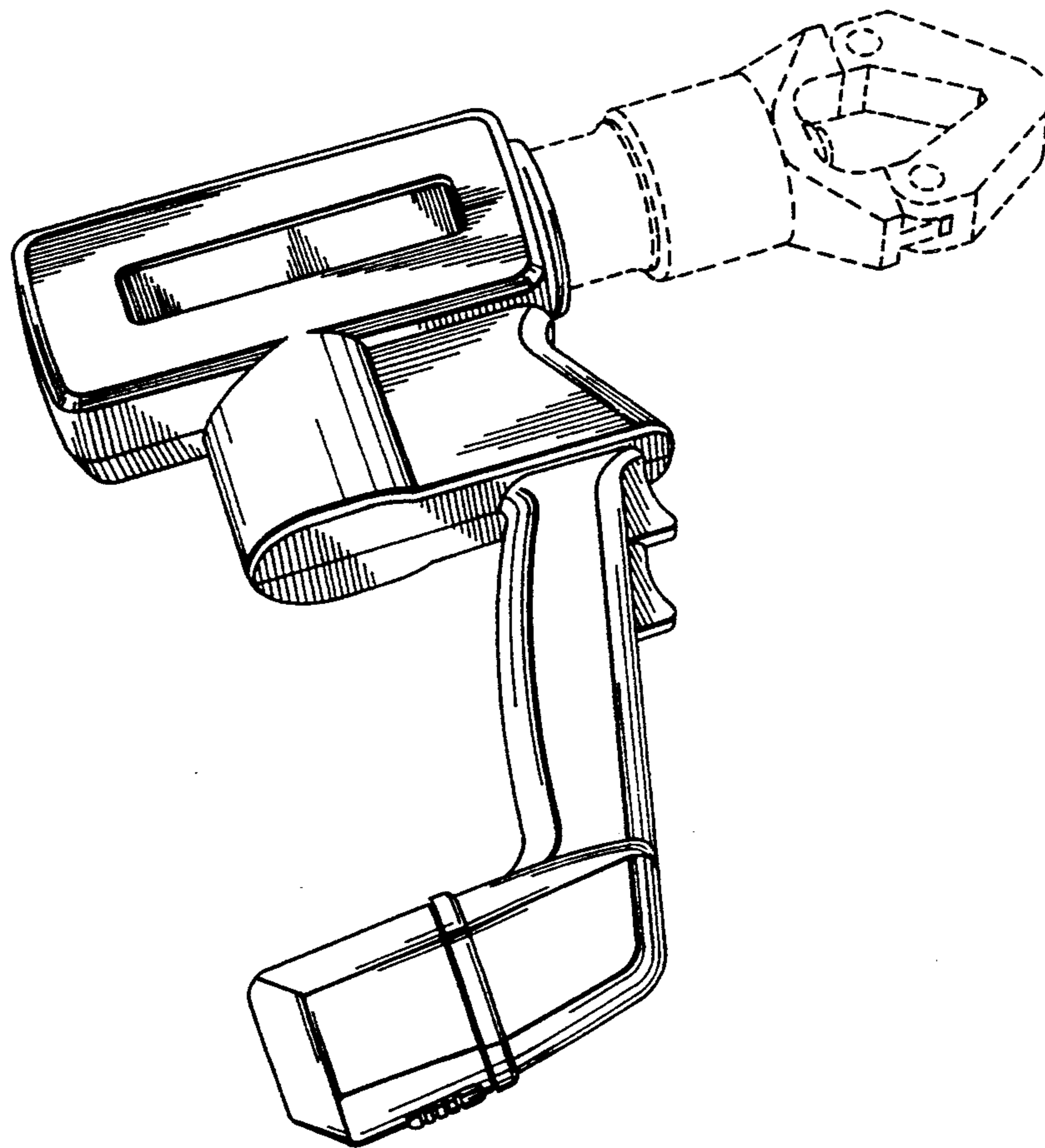


FIG. 1.

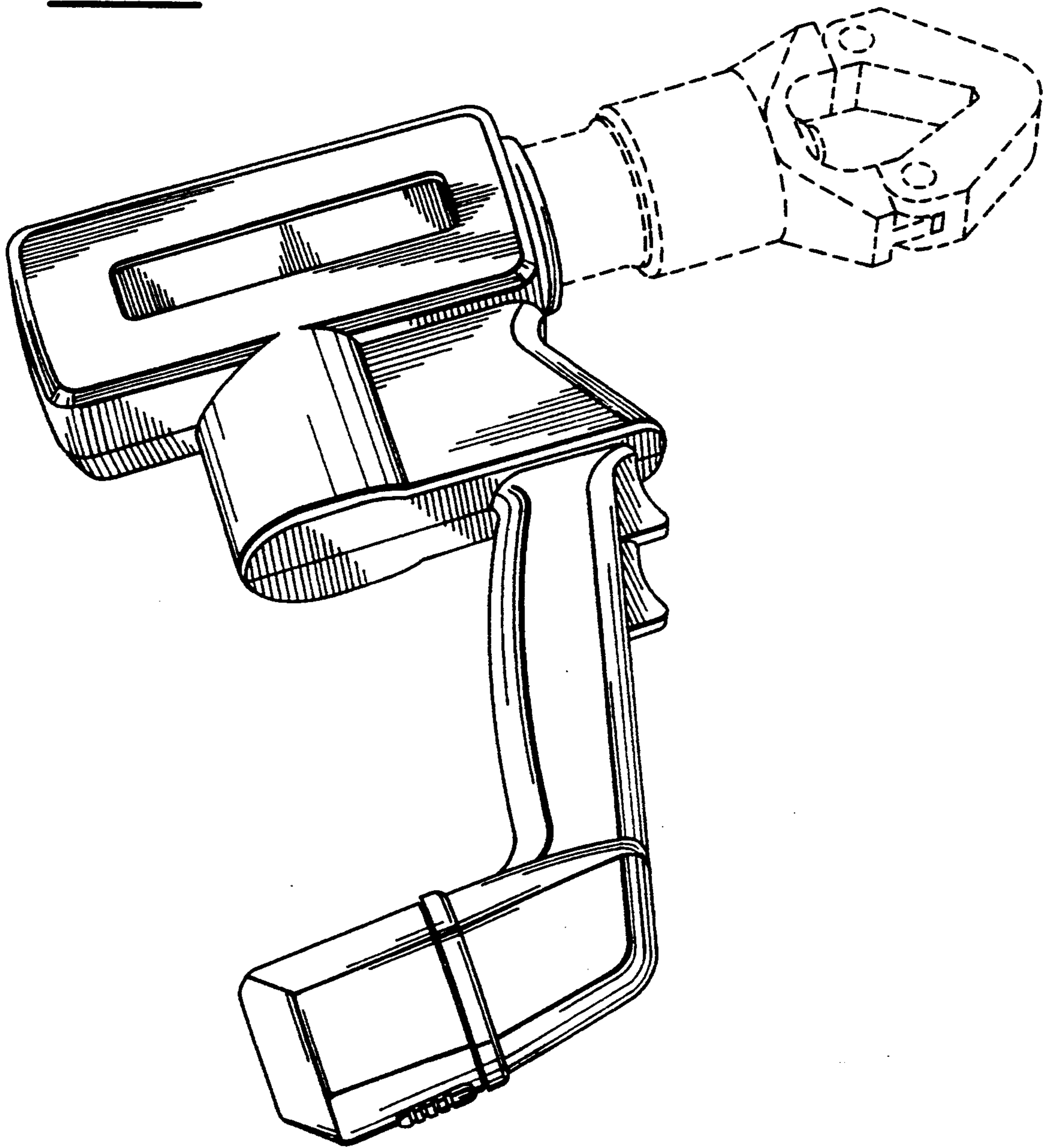


FIG. 2.

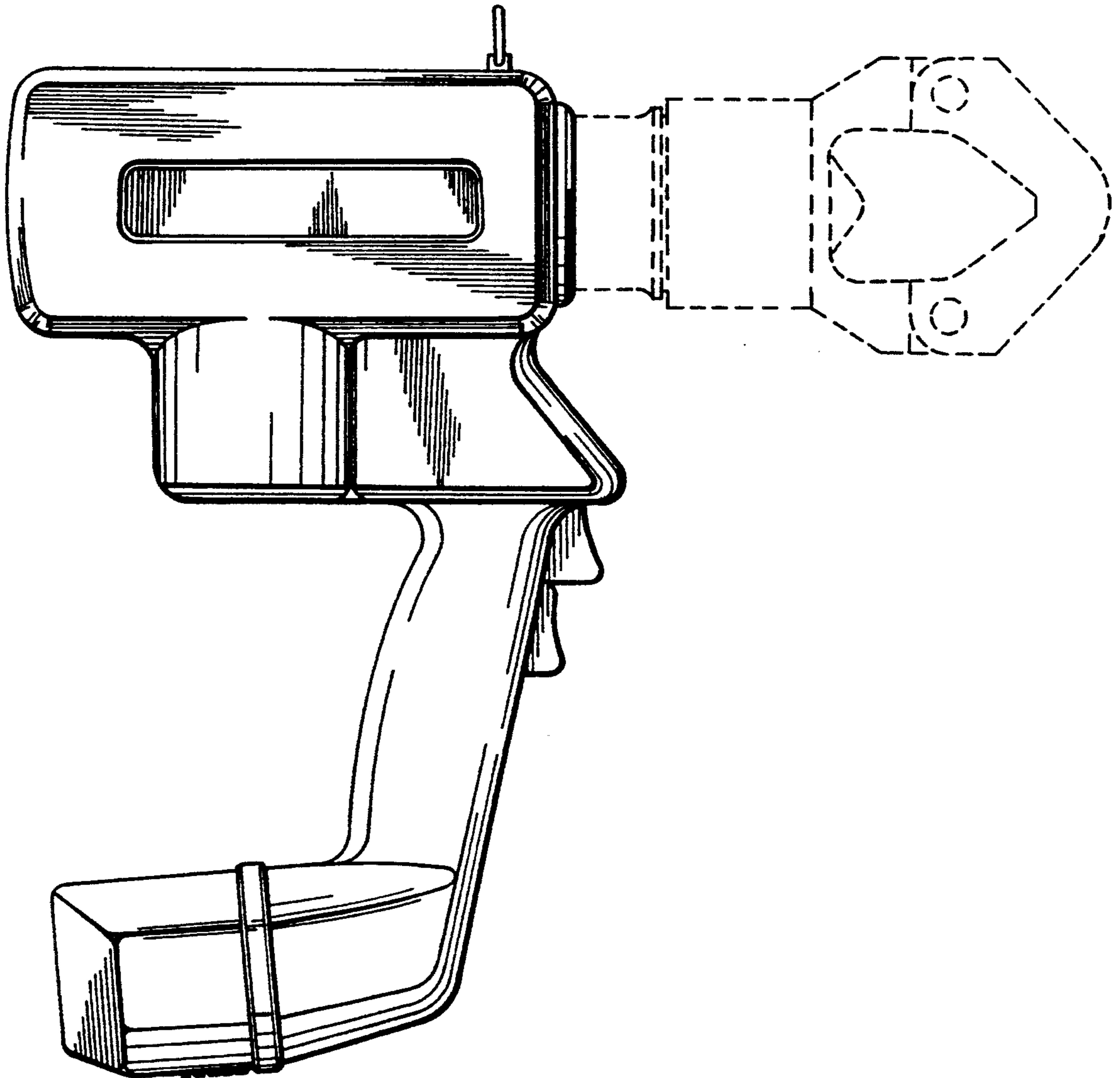


FIG. 5.

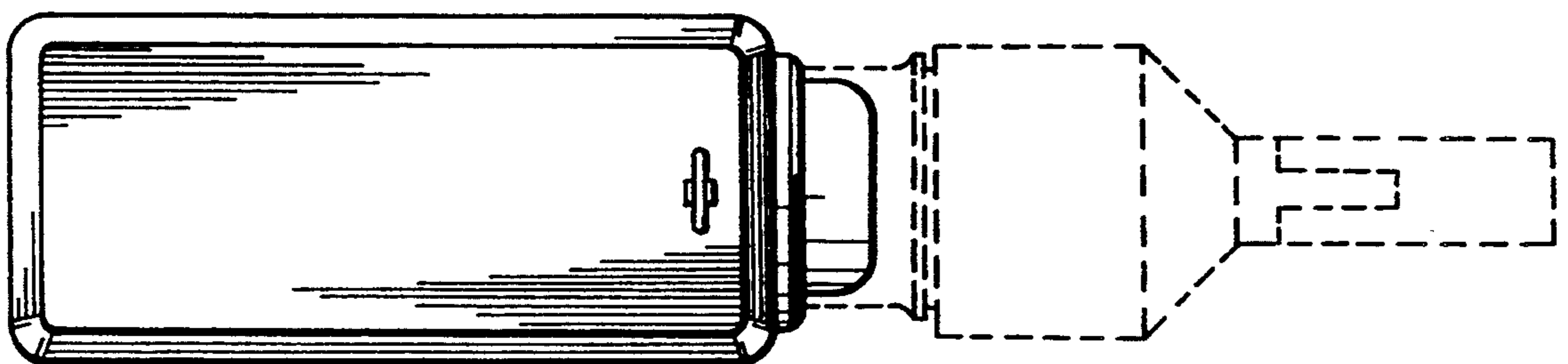


FIG. 3.

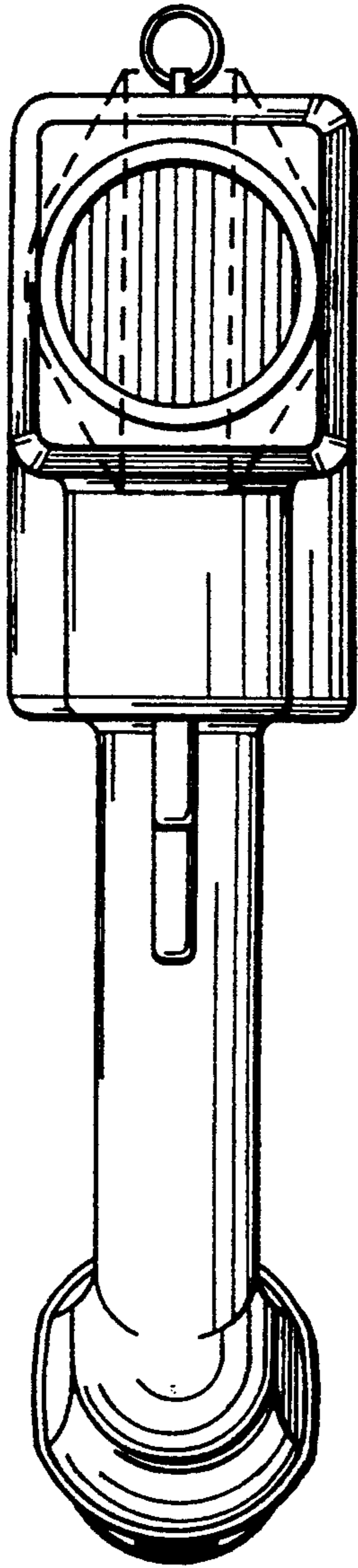


FIG. 4.

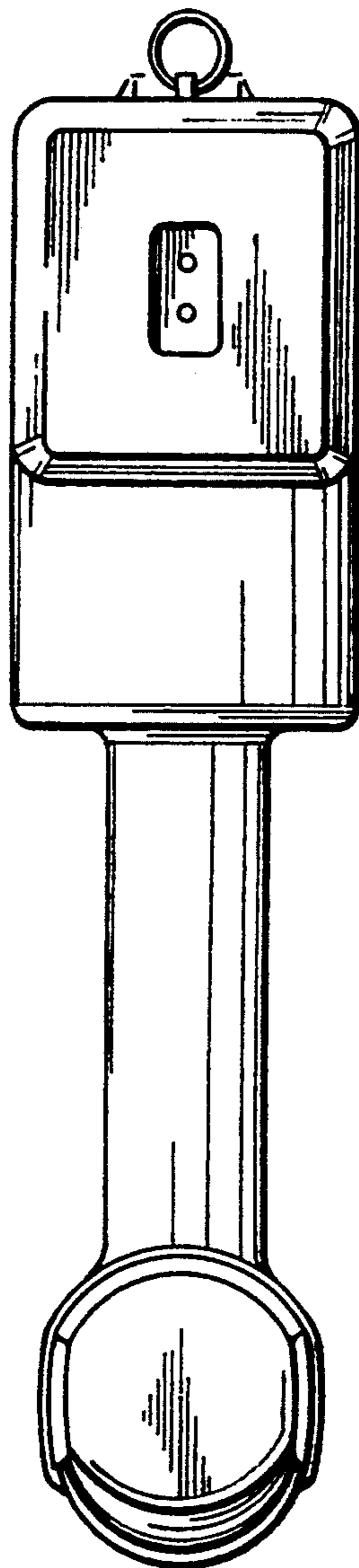


FIG. 6.

