



US00D356477S

United States Patent [19]

[11] Patent Number: **Des. 356,477**

Everhardt et al.

[45] Date of Patent: **** Mar. 21, 1995**

[54] **TOOL FOR REMOVING AUTO DOORS MOUNTED ON ROLL PINS**

[76] Inventors: **Larry R. Everhardt; Donna Everhardt**, both of 83 Walnut Hills, Walbridge, Ohio 43465

[**] Term: **14 Years**

[21] Appl. No.: **6,334**

[22] Filed: **Mar. 24, 1993**

[52] U.S. Cl. **D8/52**

[58] Field of Search **D8/14, 51, 52; 81/367, 81/368, 369, 370, 371, 372, 373, 374, 375, 376, 377, 378, 379, 380, 418, 420**

2,736,221	2/1956	Von Seggern	81/370
2,838,973	6/1958	Petersen	81/369
4,571,824	2/1986	Ingaglio	D8/52
4,746,141	5/1988	Wills	280/655
4,810,151	3/1989	Shern	414/11
5,009,406	4/1991	McDermott	229/17
5,056,385	10/1991	Petersen	81/370

Primary Examiner—Bernard Ansher
Assistant Examiner—Philip Hyder
Attorney, Agent, or Firm—Terry M. Gernstein

[57] CLAIM

The ornamental design for a tool for removing auto doors mounted on roll pins, as shown and described.

DESCRIPTION

FIG. 1 is a front, top and side perspective view of the tool for removing auto doors mounted on roll pins showing our new design;

FIG. 2 is a front elevational view thereof;

FIG. 3 is a rear elevational view thereof;

FIG. 4 is a side elevational view thereof, the side opposite being a mirror image of the side shown in FIG. 4;

FIG. 5 is a top plan view thereof; and

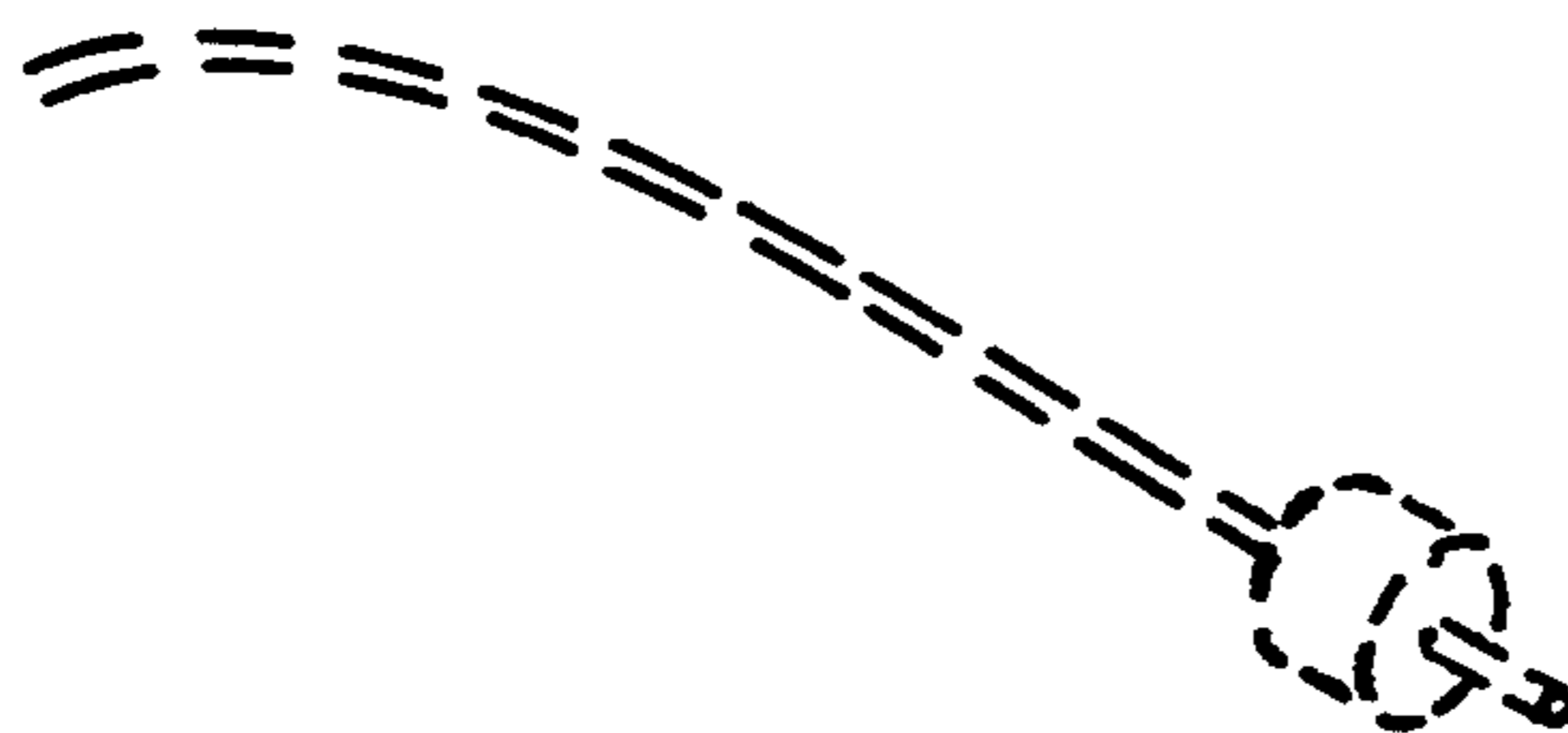
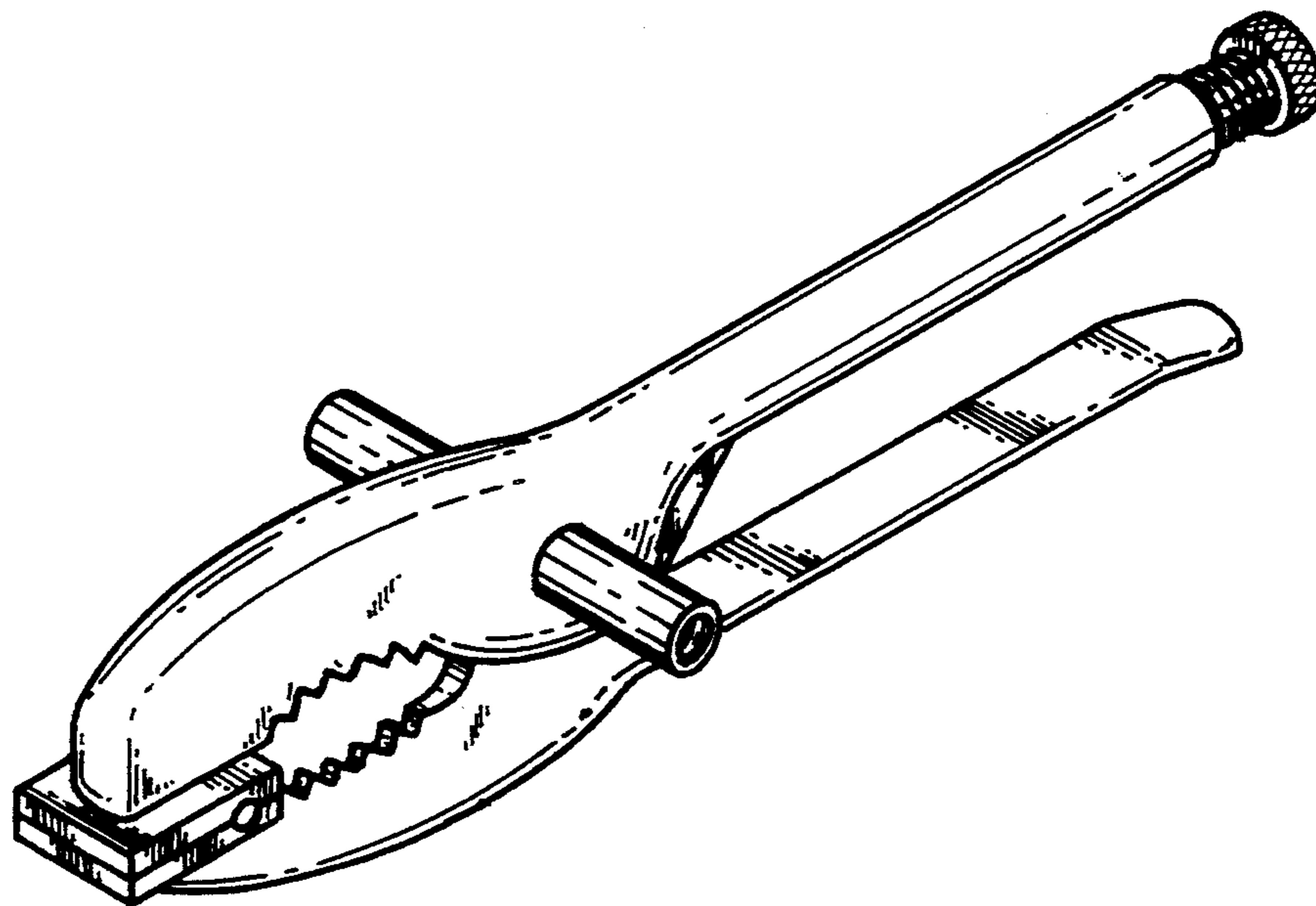
FIG. 6 is a bottom plan view thereof.

The broken line showing of the cable is for illustrative purposes only and forms no part of the claimed design.

[56] References Cited

U.S. PATENT DOCUMENTS

D. 250,451	12/1978	Chartier et al.	D8/52
D. 260,476	9/1981	Knaus	D8/52
D. 261,096	10/1981	Petersen	D8/52
D. 297,603	9/1988	Zabarte	D8/52
D. 342,877	1/1994	Adamic	D8/52
2,299,454	10/1942	Borchers	81/380
2,574,676	11/1951	Waterbury	81/369
2,584,353	2/1952	Keiser	81/380
2,592,803	4/1952	Heim	81/369



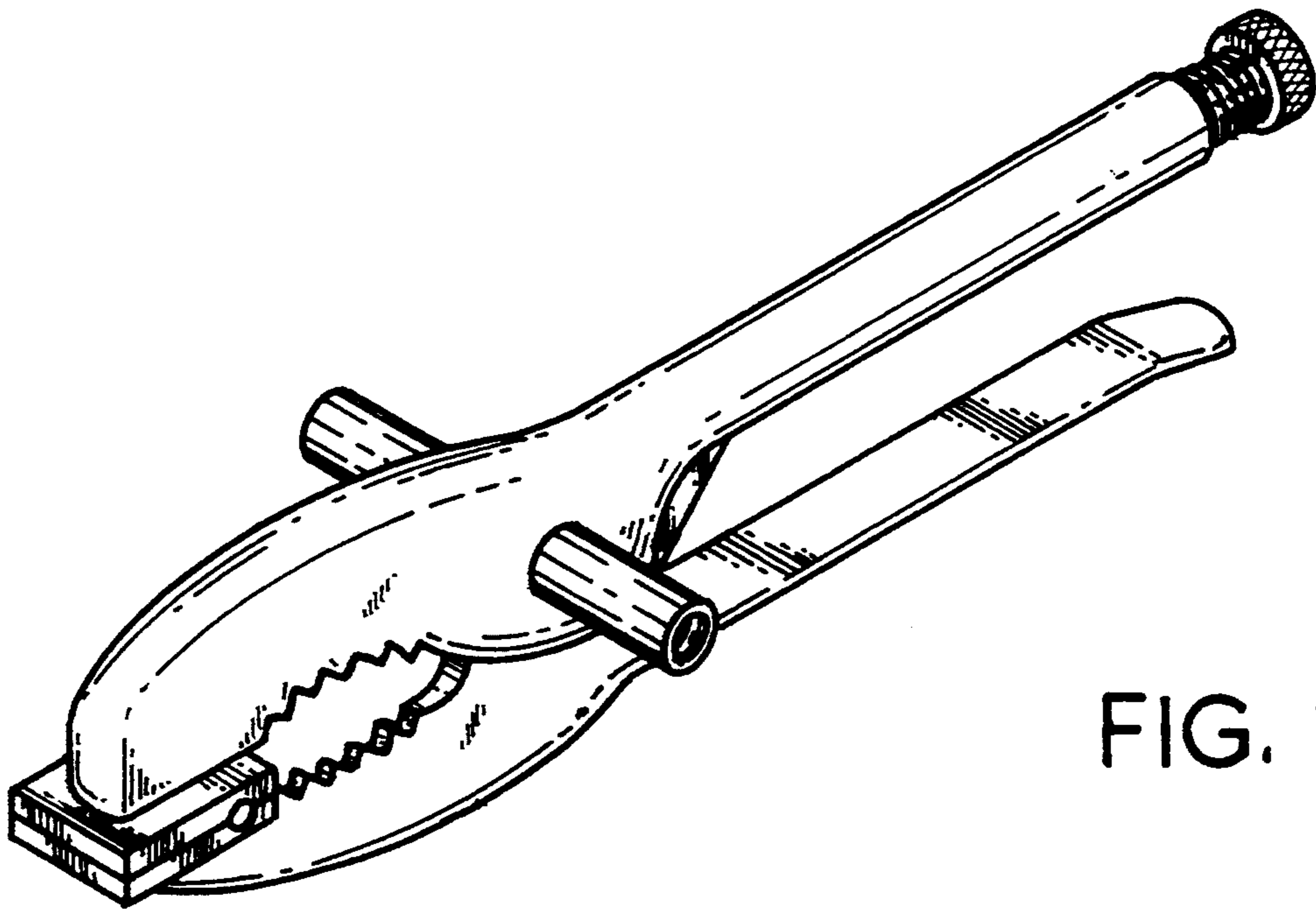
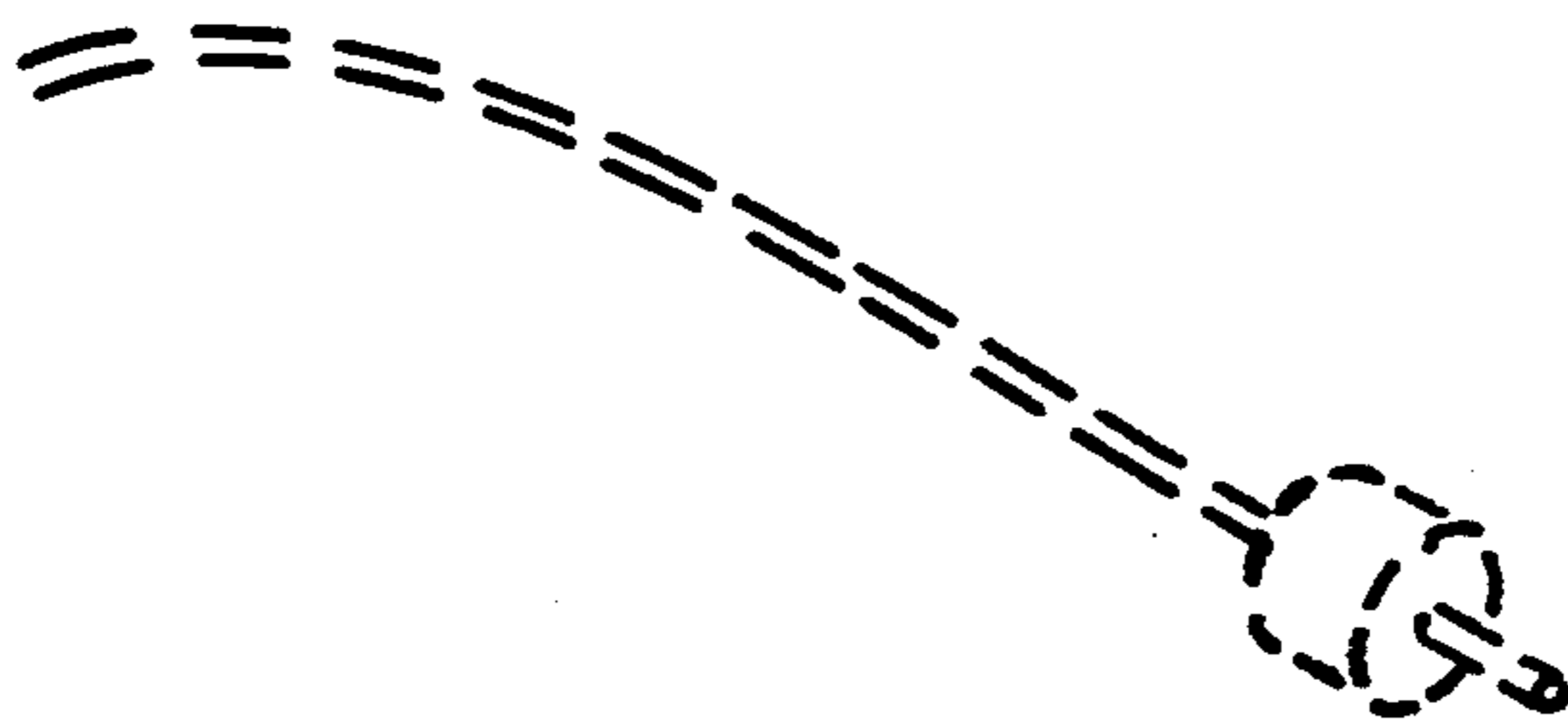


FIG. 1



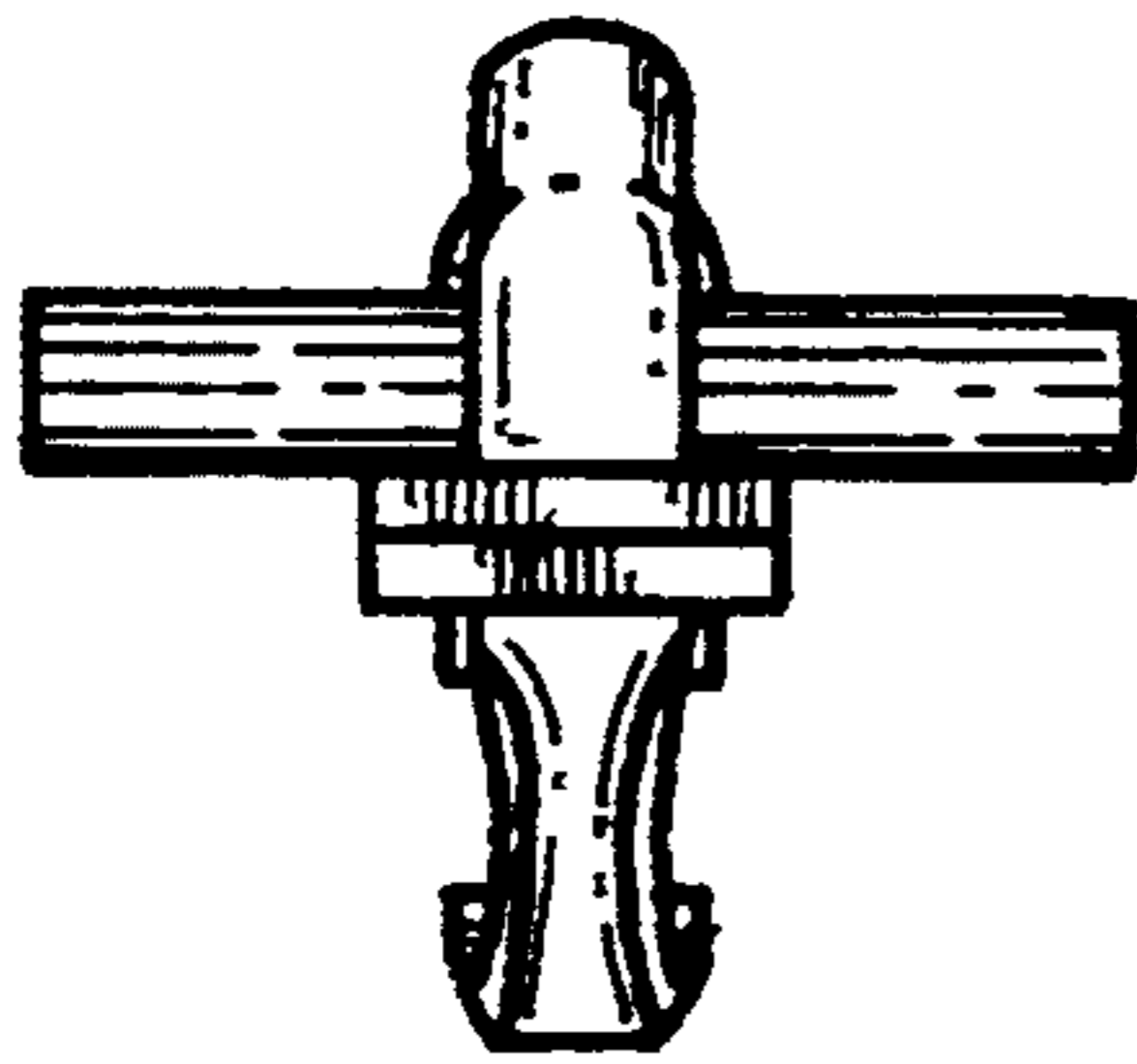


FIG. 2

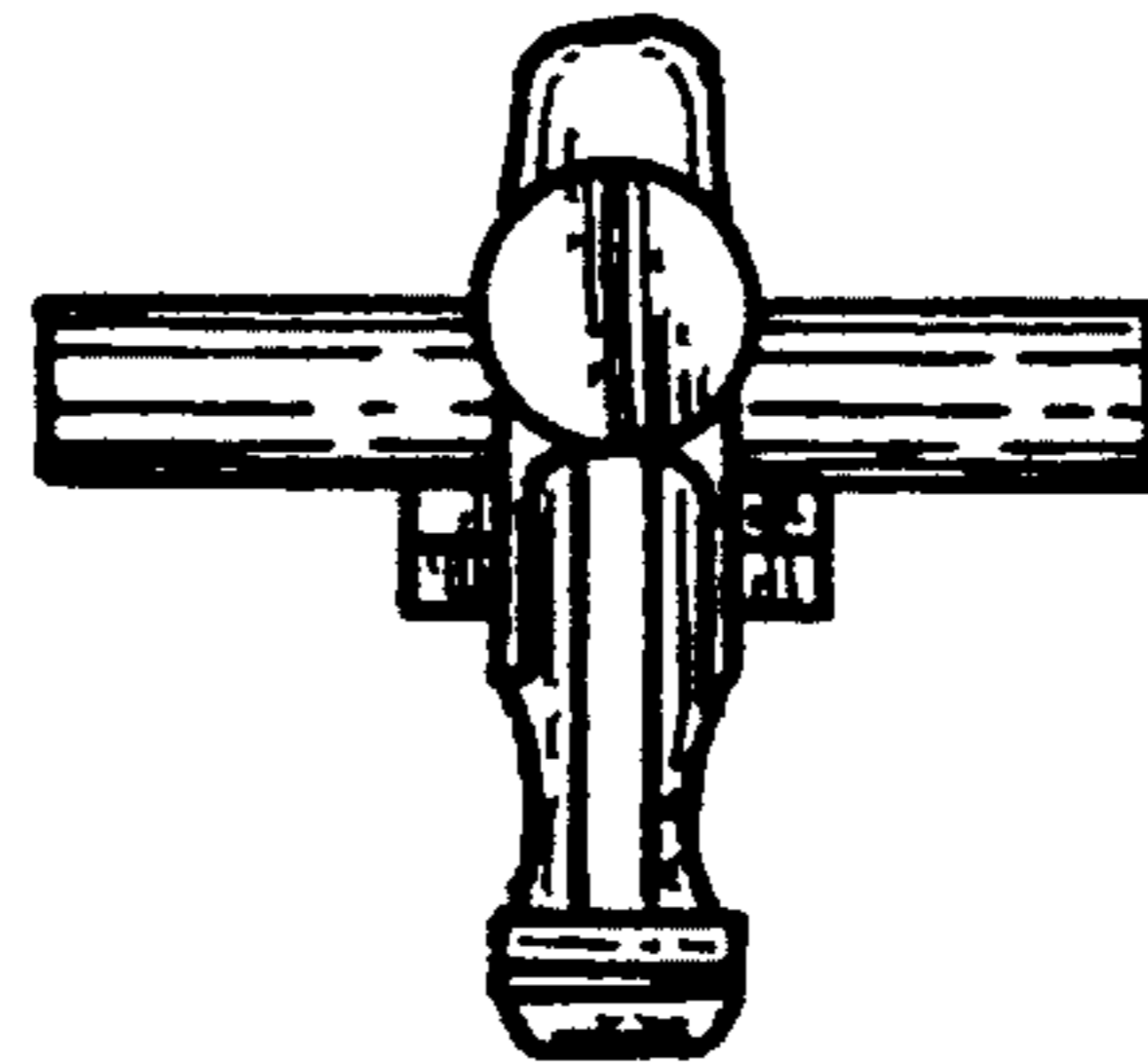


FIG. 3

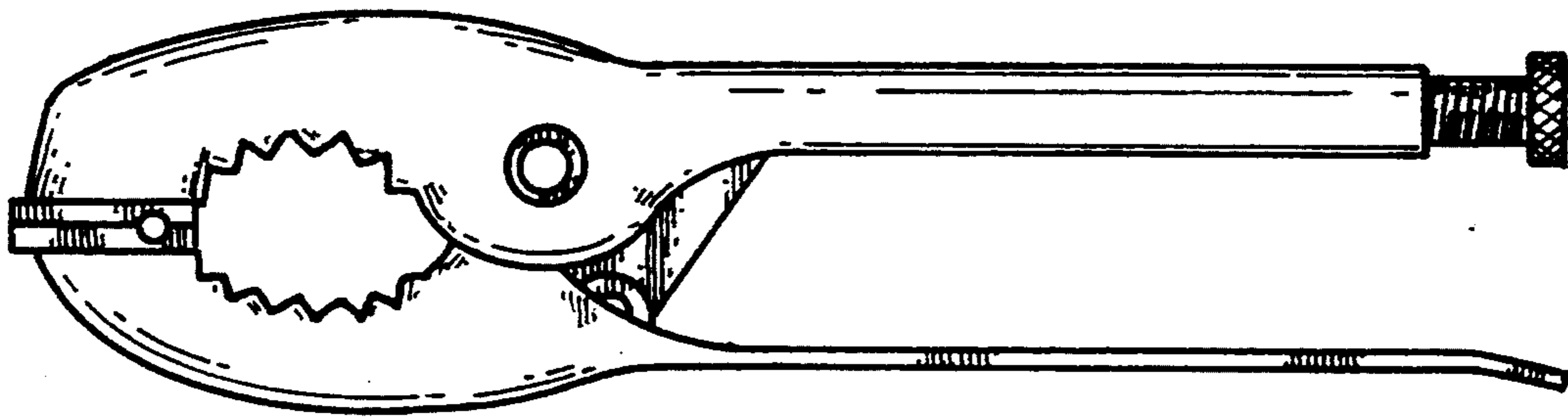


FIG. 4

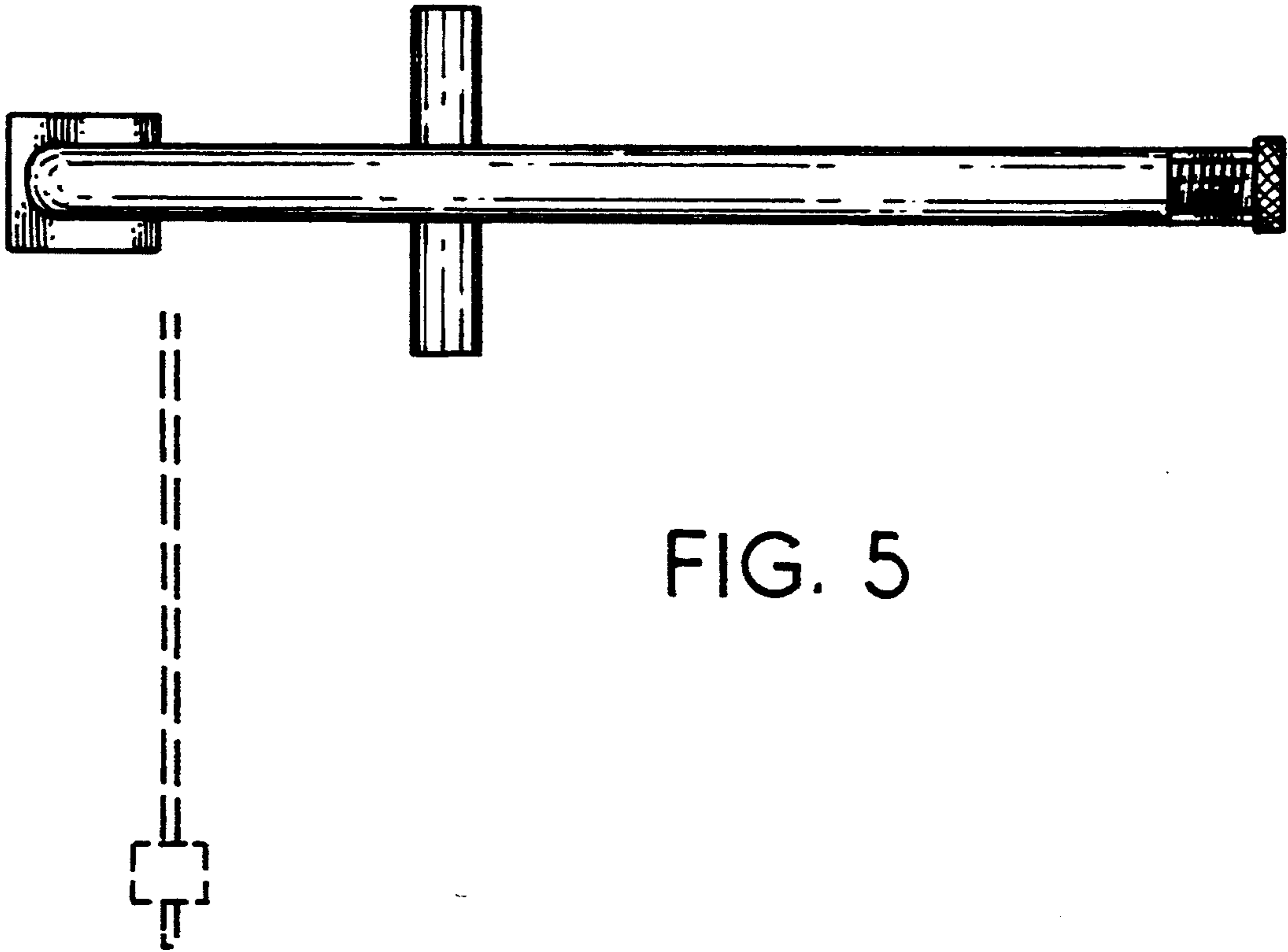


FIG. 5

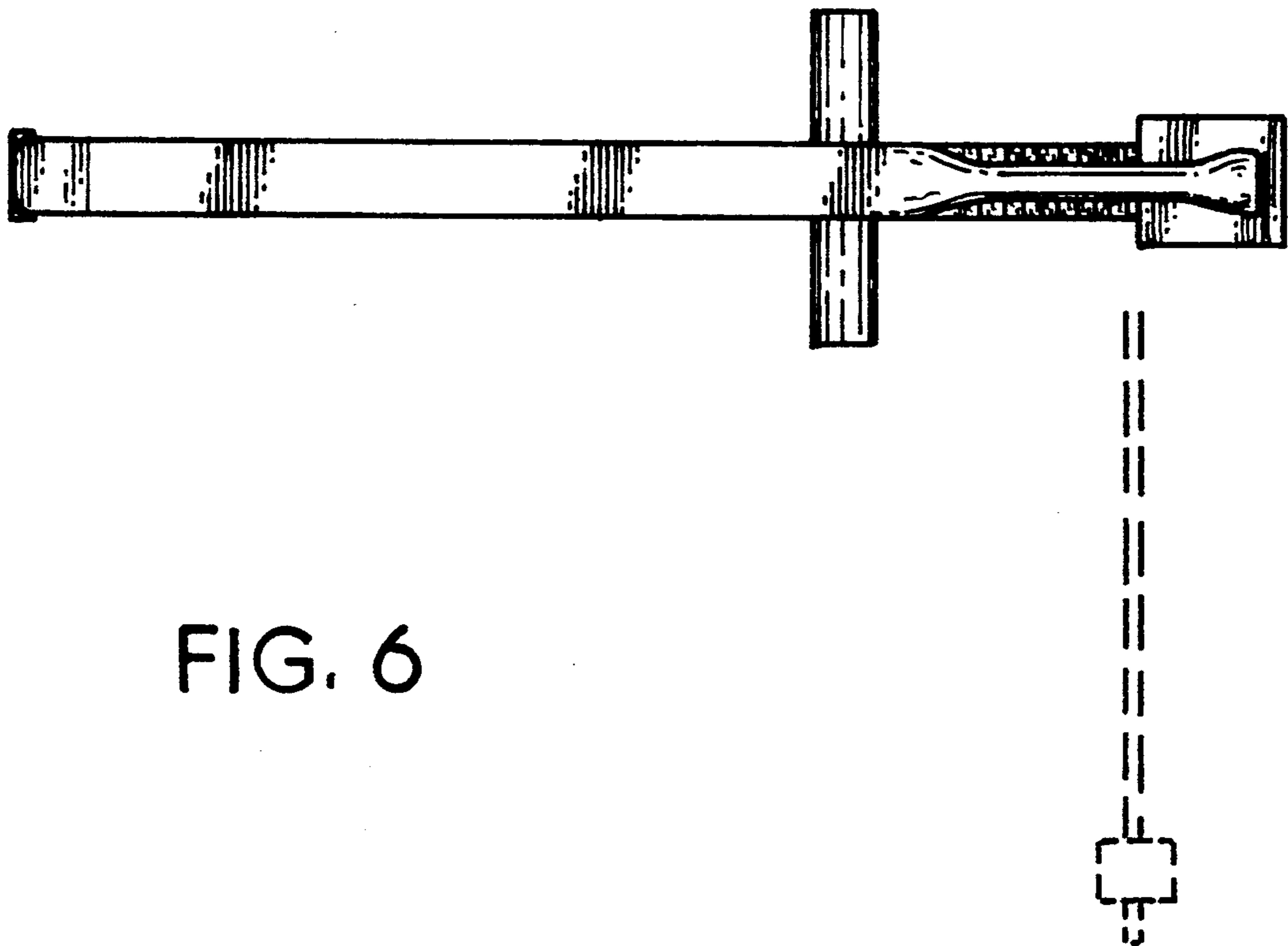


FIG. 6