



US00D356469S

United States Patent [19]

[11] Patent Number: **Des. 356,469**

Musilli et al.

[45] Date of Patent: **** Mar. 21, 1995**

[54] **COMBINATION DISH AND CANTEEN**

[75] Inventors: **Ralph E. Musilli**, St. Clair Shores;
Richard J. Wershe, Sr., Clinton Township, both of Mich.

[73] Assignee: **Pistachios, Inc.**, Mich.

[**] Term: **14 Years**

[21] Appl. No.: **8,540**

[22] Filed: **May 20, 1993**

[52] U.S. Cl. **D7/507; D7/505; D7/511; D9/517; D9/337**

[58] Field of Search **D7/505, 507, 500, 509, D7/510, 511, 512, 513, 514, 523, 533, 535, 536, 300.1, 300.2, 300, 532, 601, 602, 605, 619, 620; 220/23.83, 23.86; 206/514; 248/102; 224/148; D9/517, 446, 545, 455, 558, 571, 347, 337, 555; D3/215, 315, 316, 206, 202; 215/11.1**

D. 319,582	9/1991	Crawford	D9/571
517,108	3/1894	Lara .	
555,882	3/1896	Preston .	
882,864	3/1908	Burke	D9/558 X
1,373,156	3/1921	Tebbetts .	
1,809,596	6/1931	Nason .	
2,510,953	6/1950	Brose et al.	248/102
2,517,829	8/1950	Beckovich	248/102 X
3,814,380	11/1957	Thaxton, Jr.	206/4
3,843,032	10/1974	Moran et al.	D3/202 X
4,140,254	2/1979	Land	224/148
4,450,966	5/1984	Villavicencio, Jr. et al.	206/547
4,865,207	9/1989	Joyner et al.	215/11.1 X
4,871,597	10/1989	Hobson	224/148 X
5,056,424	10/1991	Lai	99/339
5,154,324	10/1992	Stratford	224/148 X
5,301,829	4/1994	Chrisco	206/514 X

Primary Examiner—Alan P. Douglas
Assistant Examiner—M. N. Pandozzi
Attorney, Agent, or Firm—Gifford, Krass, Groh, Sprinkle, Patmore, Anderson & Citkowski

[56] **References Cited**

U.S. PATENT DOCUMENTS

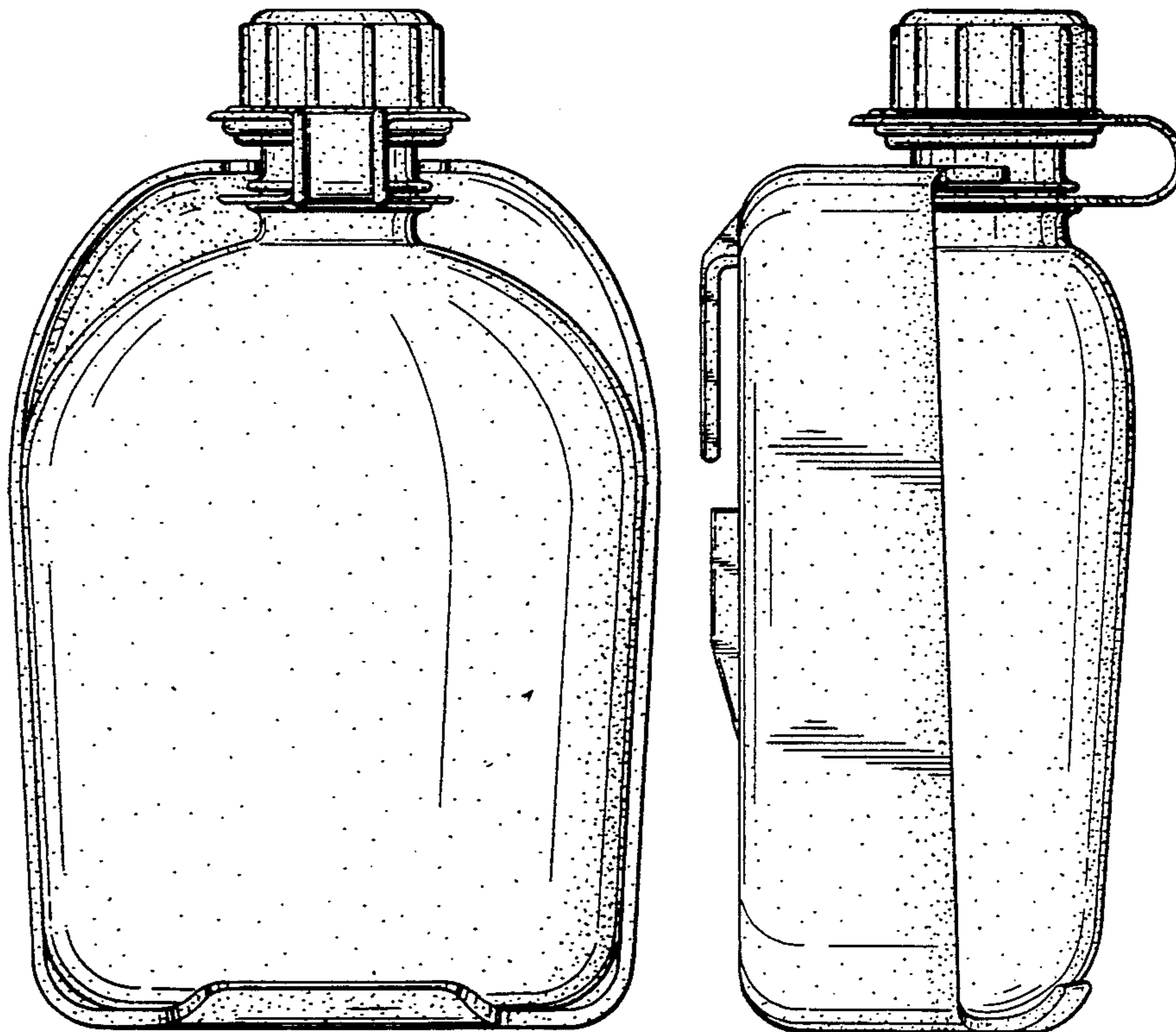
D. 14,925	4/1884	Cummings	D9/545
D. 73,594	10/1927	Worth	D9/517
D. 135,616	5/1943	Karoff	D3/202 X
D. 159,746	8/1950	Merke	D9/517
D. 195,649	7/1963	Lindemann	D9/337 X
D. 205,736	9/1966	Jordan	D3/202
D. 226,555	3/1973	Weber	D9/446
D. 237,588	11/1975	Sharp	D3/202
D. 254,708	4/1980	Mack	D9/337
D. 304,014	10/1989	O'Connell	D9/347 X

[57] **CLAIM**

The ornamental designs for a combination dish and canteen, as shown and described.

DESCRIPTION

FIG. 1 is a front elevational view of a second embodiment of the combination dish and canteen;
FIG. 2 is a back elevational view thereof;
FIG. 3 is a side view thereof, the opposite side being a mirror image;
FIG. 4 is a top elevational view thereof; and,
FIG. 5 is a bottom elevational view thereof.



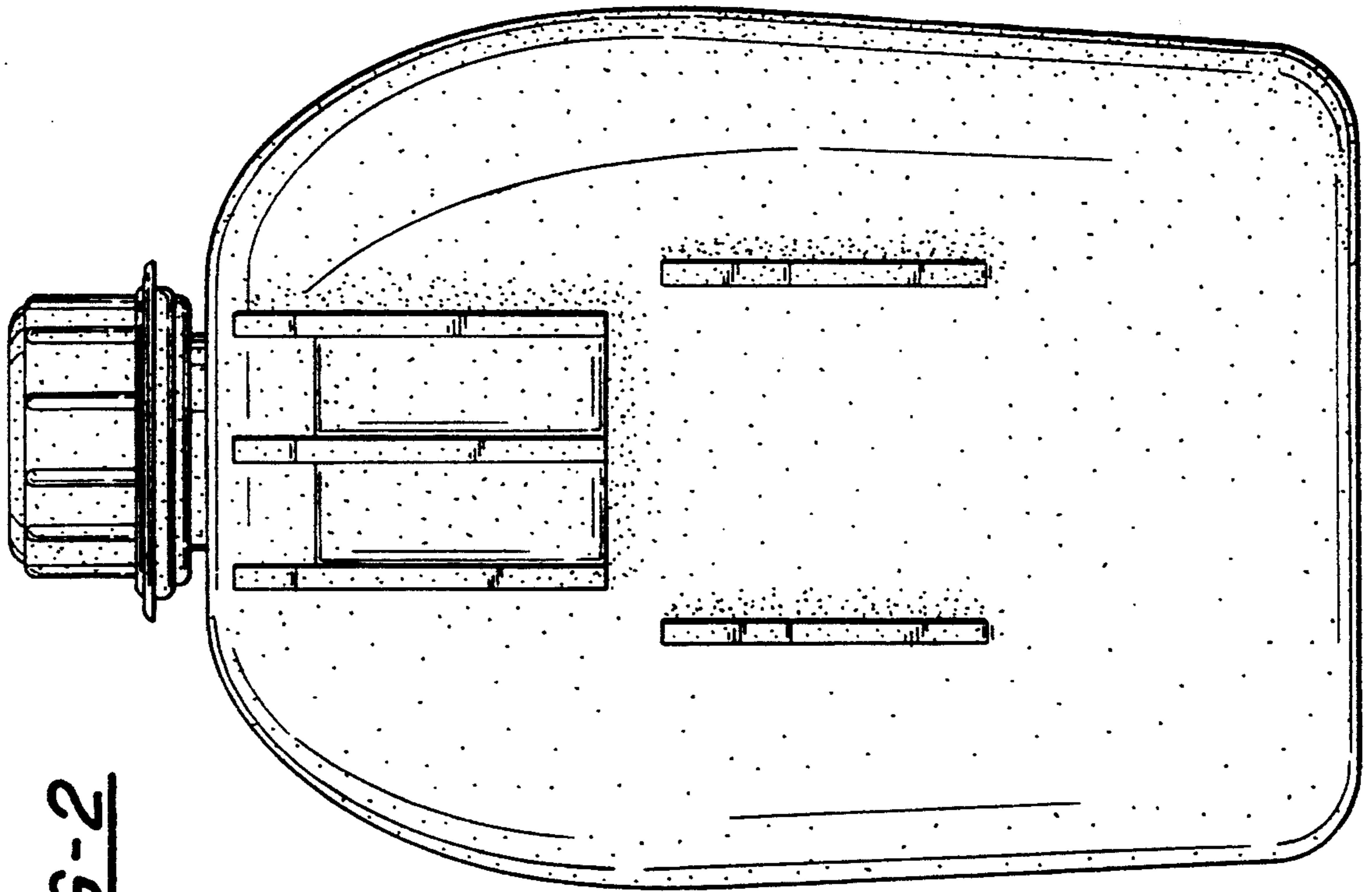


FIG-2

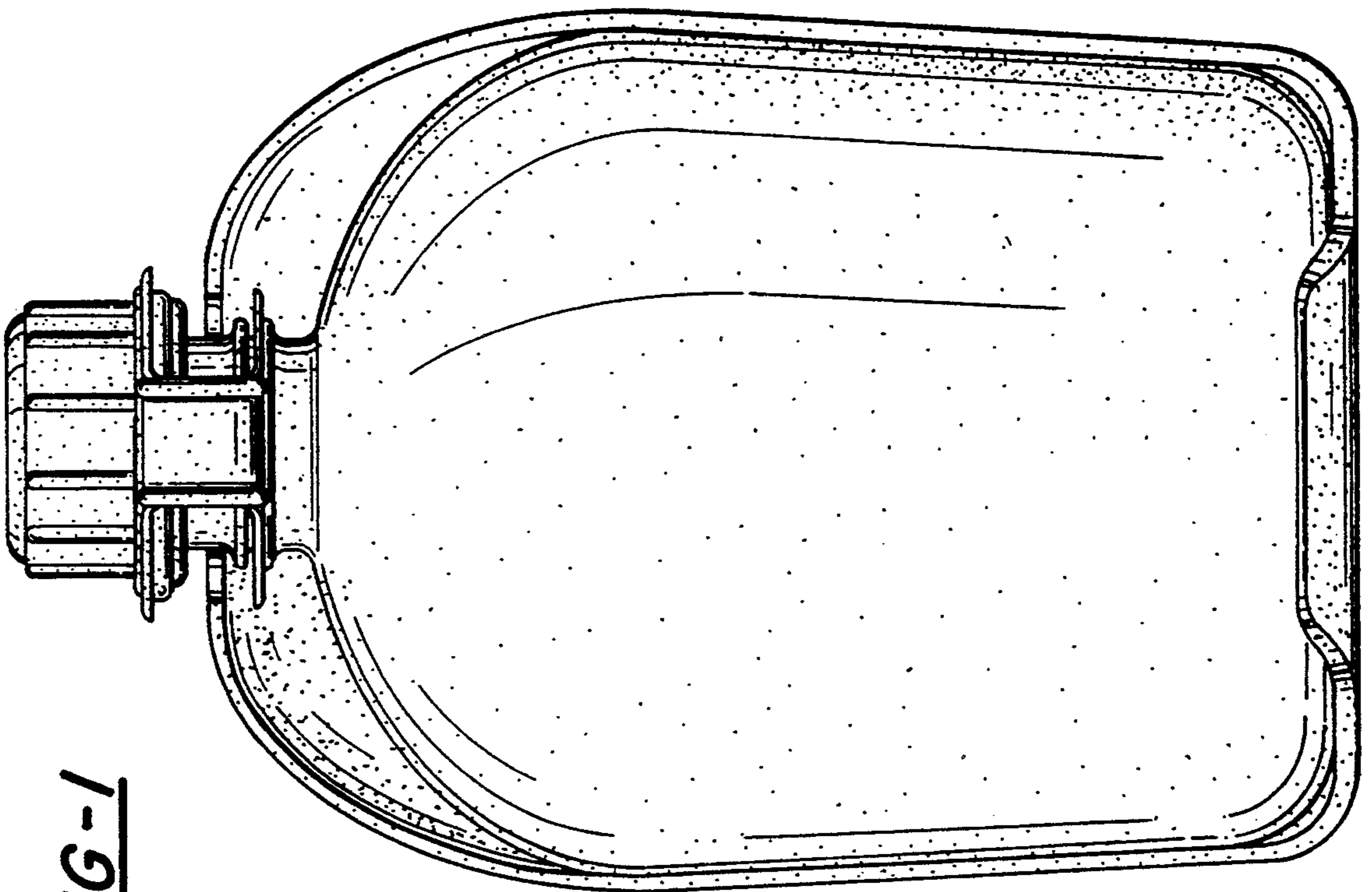


FIG-1

FIG-4

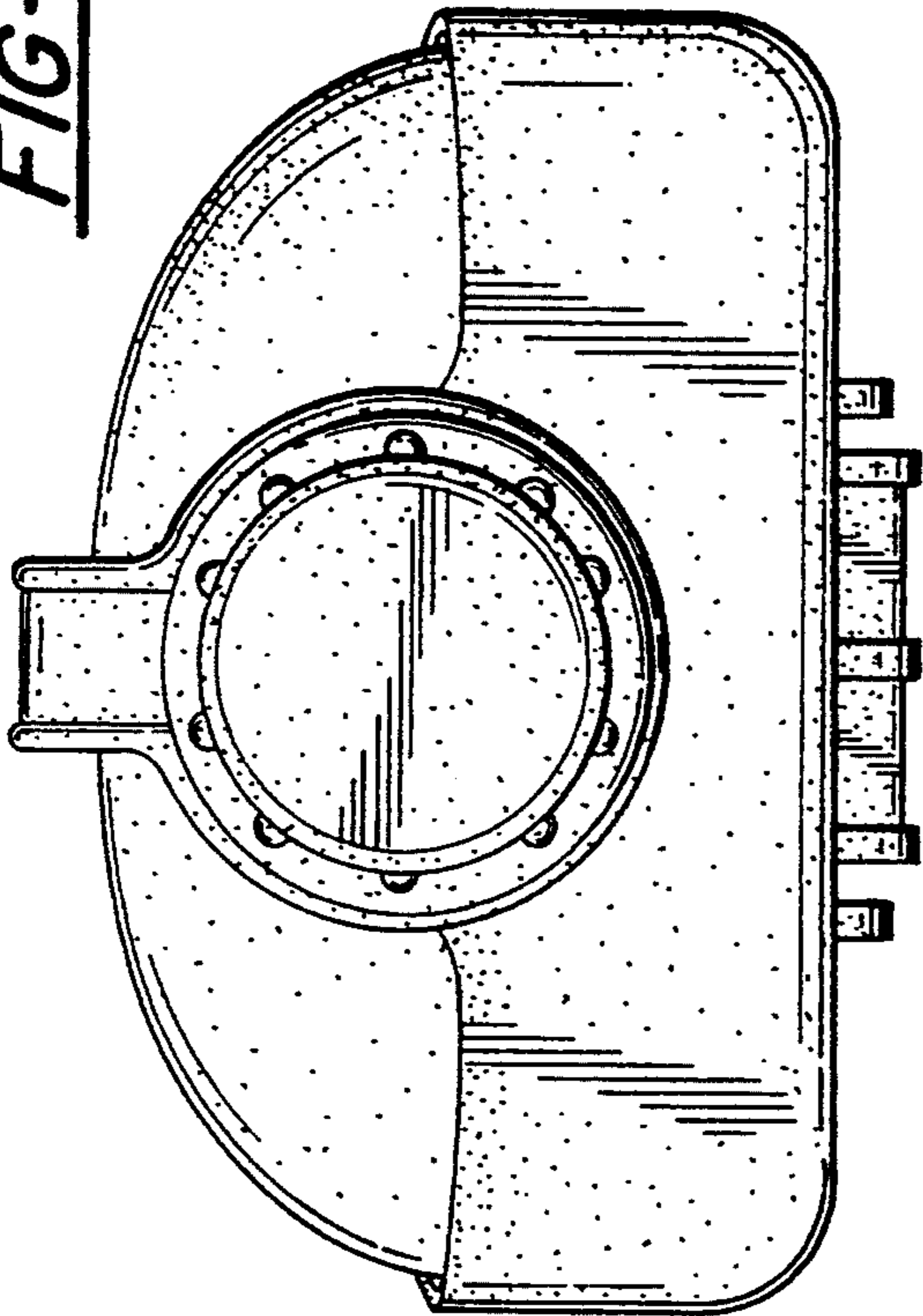


FIG-5

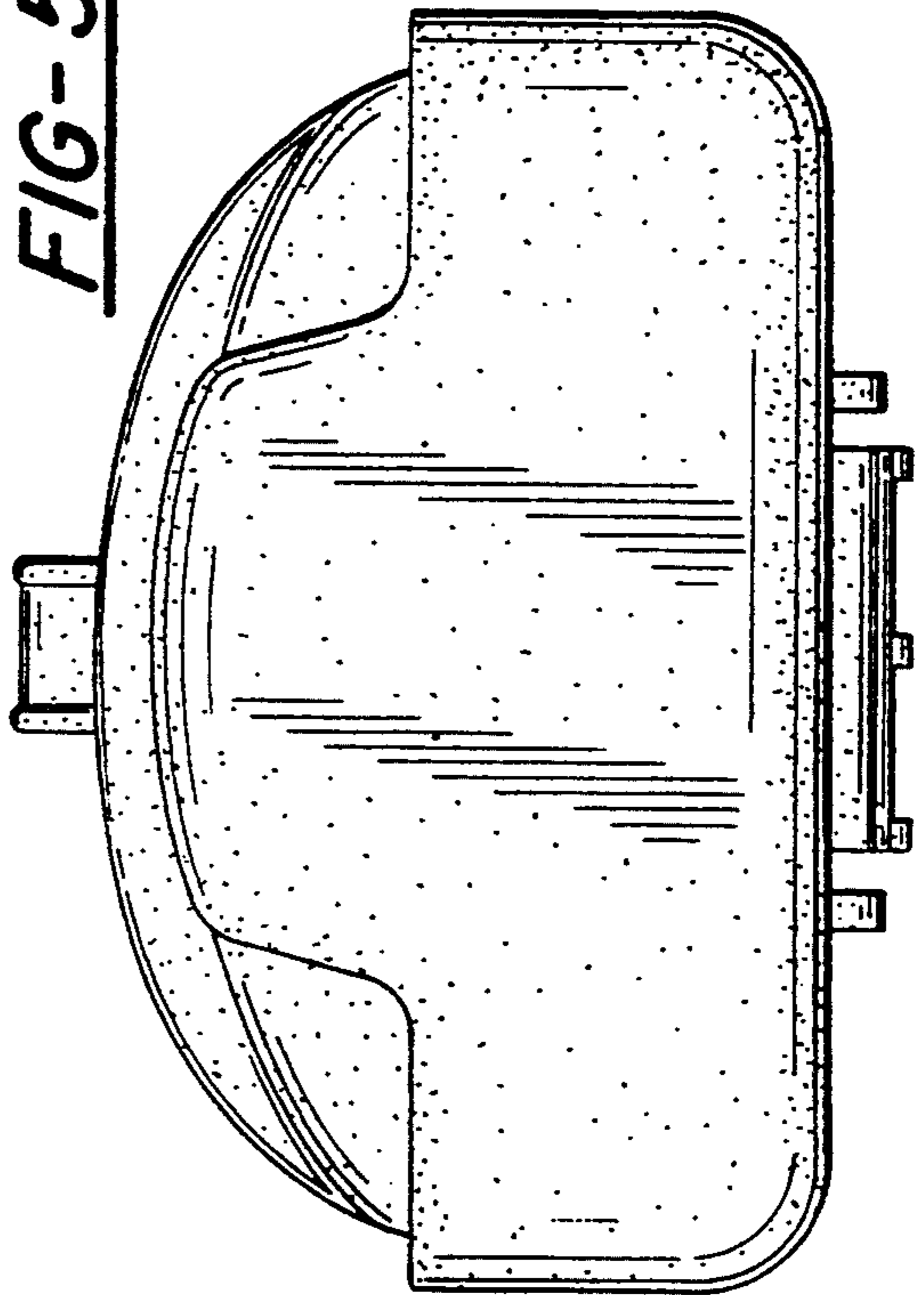


FIG-3

