



US00D356468S

United States Patent [19]

[11] Patent Number: **Des. 356,468**

Beck et al.

[45] Date of Patent: **** Mar. 21, 1995**

[54] **TABLE TRAY**

[76] Inventors: **Randall S. Beck**, 208 Lincoln St., Archbold, Ohio 43502; **Thomas L. Short**, 21362 State Rte. 2, Stryker, Ohio 43557

[**] Term: **14 Years**

[21] Appl. No.: **927,186**

[22] Filed: **Aug. 7, 1992**

[52] U.S. Cl. **D6/406**

[58] Field of Search **D6/482, 419, 406, 511; D12/415-425; 108/43, 44, 47, 97, 99, 115, 150; 211/88; D19/52, 90, 35; D7/550, 553, 554, 698**

2,709,563	5/1955	Starkey	248/226
2,881,039	4/1959	Guzman	108/47 X
2,932,544	4/1960	Lambert	108/47 X
3,181,485	5/1965	Dotson et al.	108/97
3,289,615	12/1966	Marschak	108/97
3,301,406	1/1967	Scott	211/88
3,741,131	6/1973	Leadbetter	108/97
3,776,388	12/1973	Mattheis	211/86
4,011,951	3/1977	Boyer	211/88 X
4,088,081	5/1978	D'Arca	108/27
4,099,470	7/1978	Cannon, Jr.	108/26
4,629,247	12/1986	Wu	297/174
4,850,282	7/1989	Postic	108/47
4,893,363	1/1990	Huff	108/47 X
5,036,777	8/1991	Barton	108/90
5,148,755	9/1992	Morales	108/47

[56] **References Cited**

U.S. PATENT DOCUMENTS

D. 81,683	7/1930	Bowtell	D7/550
D. 186,181	9/1959	Silkenat	D44/10
D. 204,999	6/1966	Edwards	D7/554 X
D. 254,648	4/1980	Rosselli	D7/37
D. 321,300	11/1991	Postic	D6/406 X
1,108,692	8/1914	Burd	108/97
1,223,637	4/1917	Swain	108/97
1,528,855	3/1925	Smith	108/97
1,715,715	6/1929	McVey	211/88
1,747,710	2/1930	Hanley	211/88
1,911,959	5/1933	Kern et al.	108/97
2,451,667	10/1948	Ducey	155/78
2,489,084	11/1949	Ducey	155/78
2,512,958	6/1950	Meier	311/103
2,558,323	6/1951	Strun	155/82
2,580,855	1/1952	Sloan	311/103

Primary Examiner—Alan P. Douglas

Assistant Examiner—S. Snapp

Attorney, Agent, or Firm—Emch, Schaffer, Schaub & Porcello Co.

[57] **CLAIM**

The ornamental design for a table tray, as shown and described.

DESCRIPTION

FIG. 1 is a perspective view of a table tray, showing our new design;

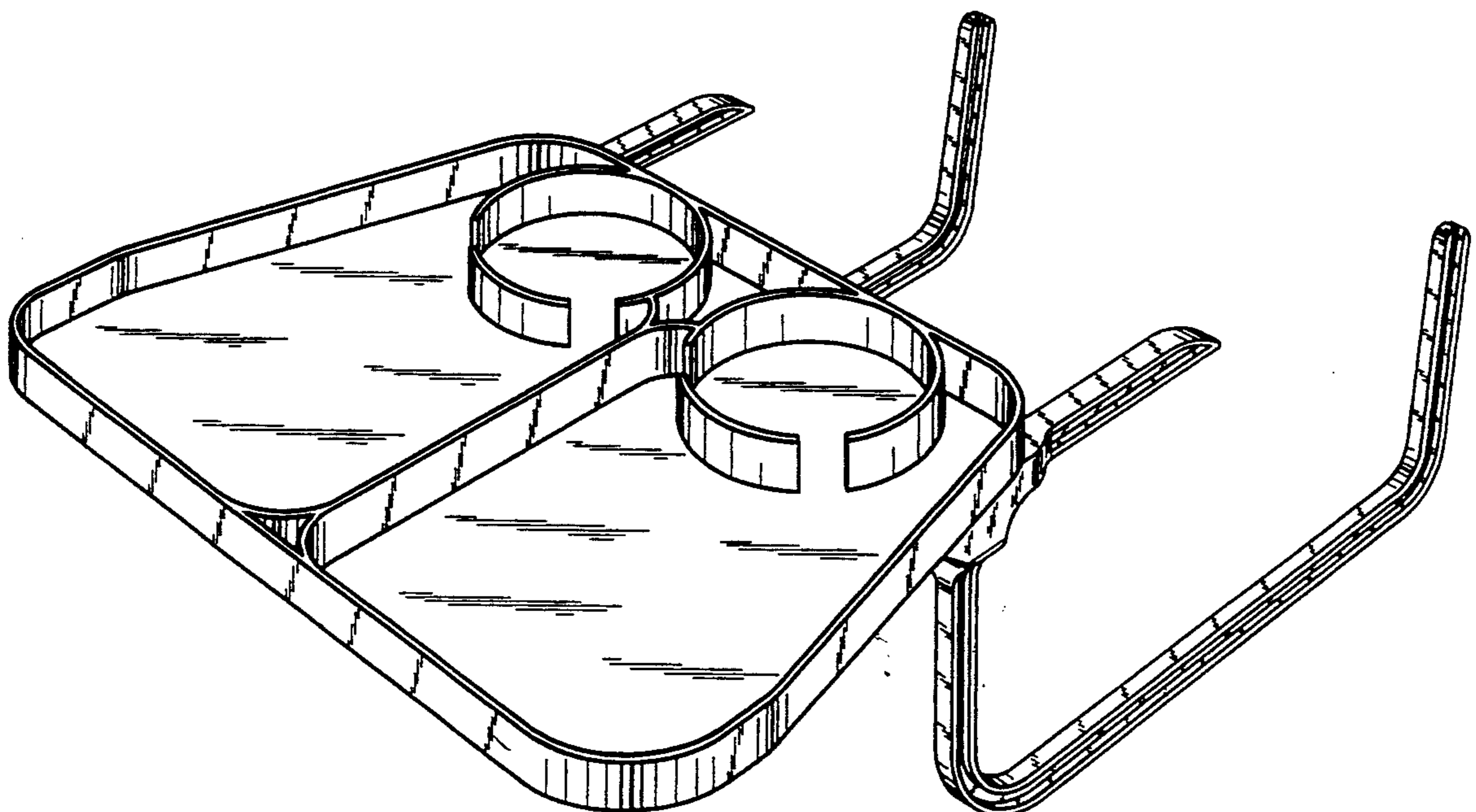
FIG. 2 is a top view of our table tray;

FIG. 3 is a side view of our table tray, the opposite side being a mirror image thereof;

FIG. 4 is a rear view of our table tray;

FIG. 5 is a front view of our table tray; and,

FIG. 6 is a bottom view of our table tray.



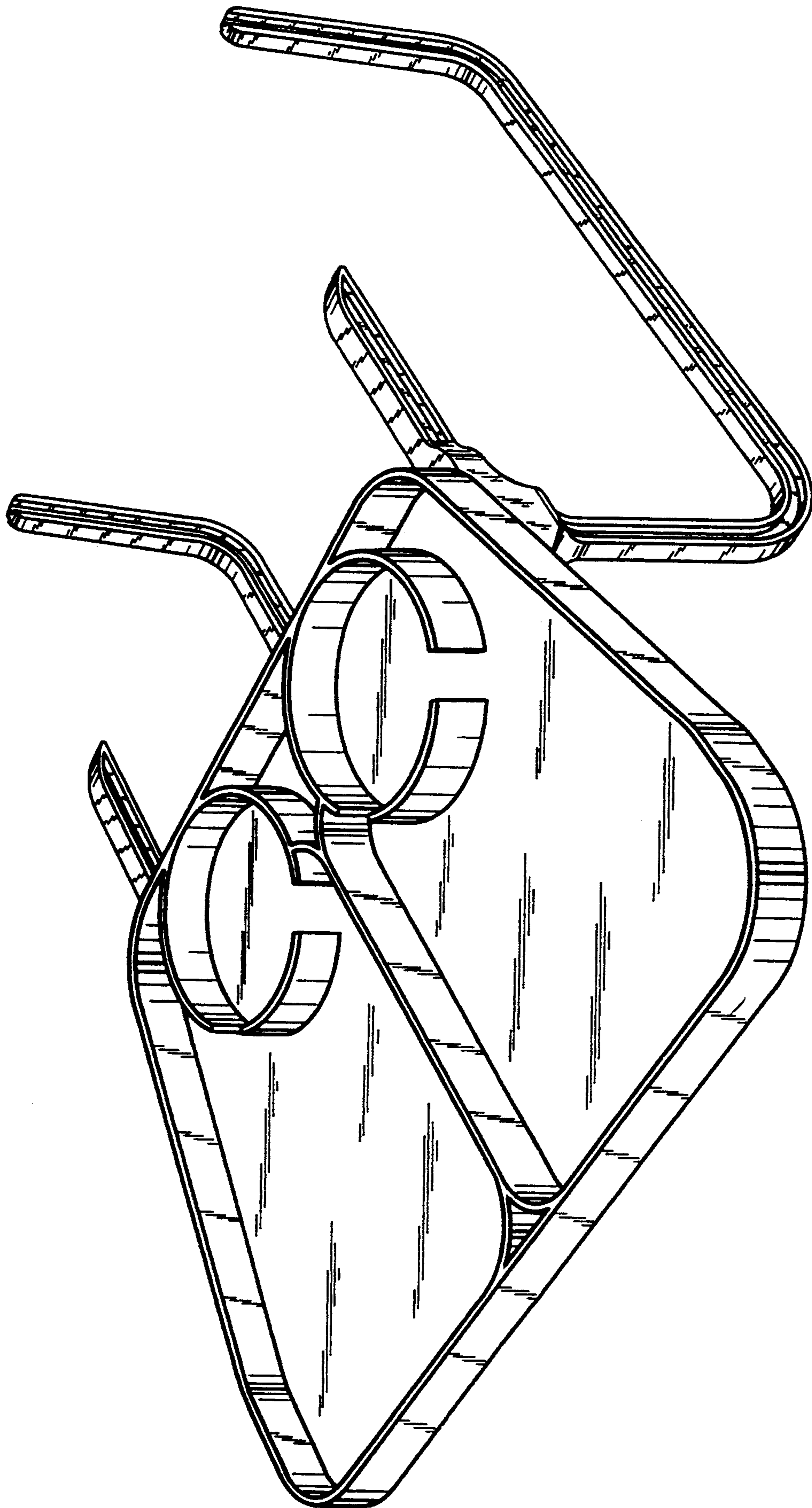


FIG. 1

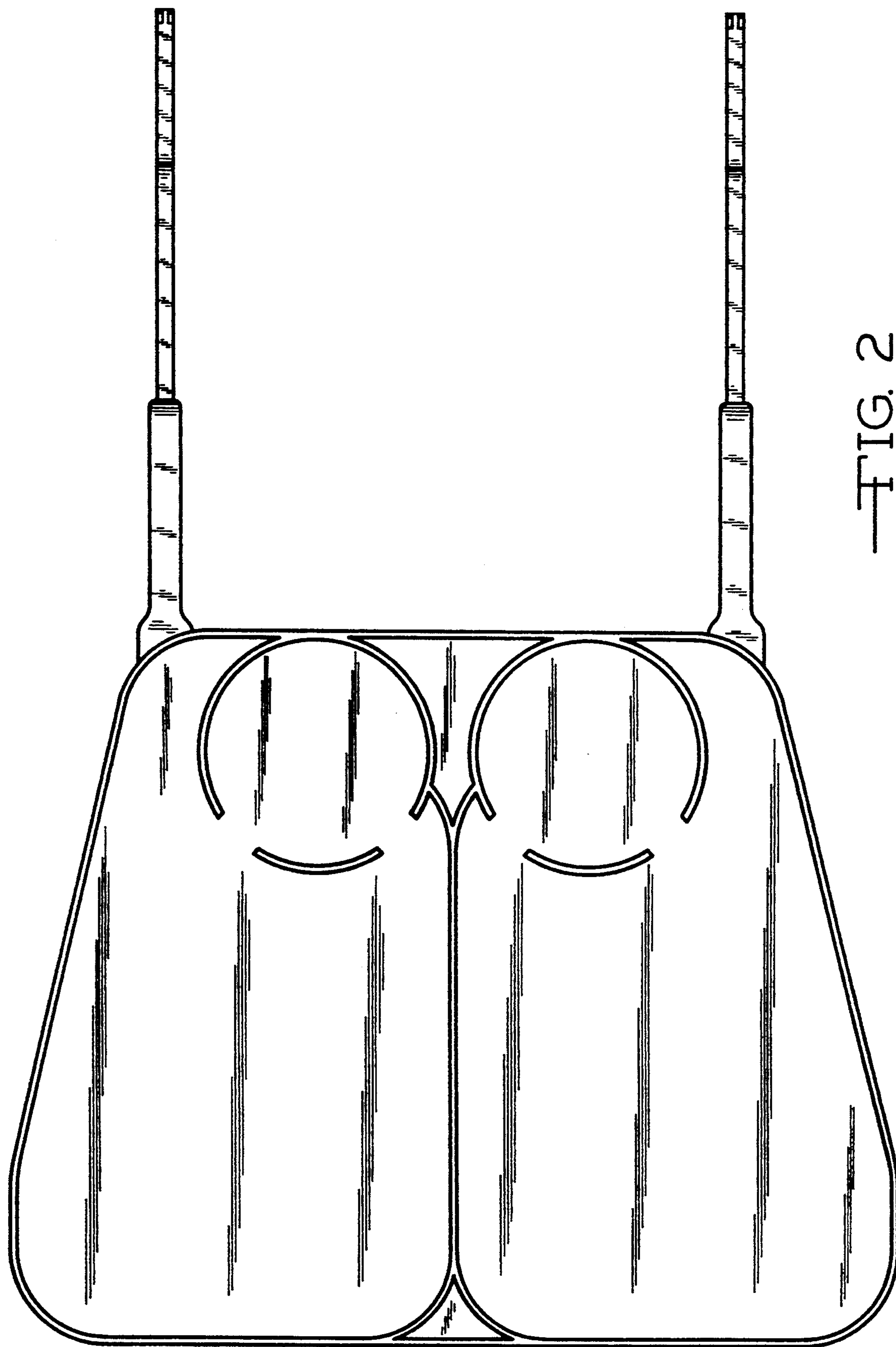


FIG. 2

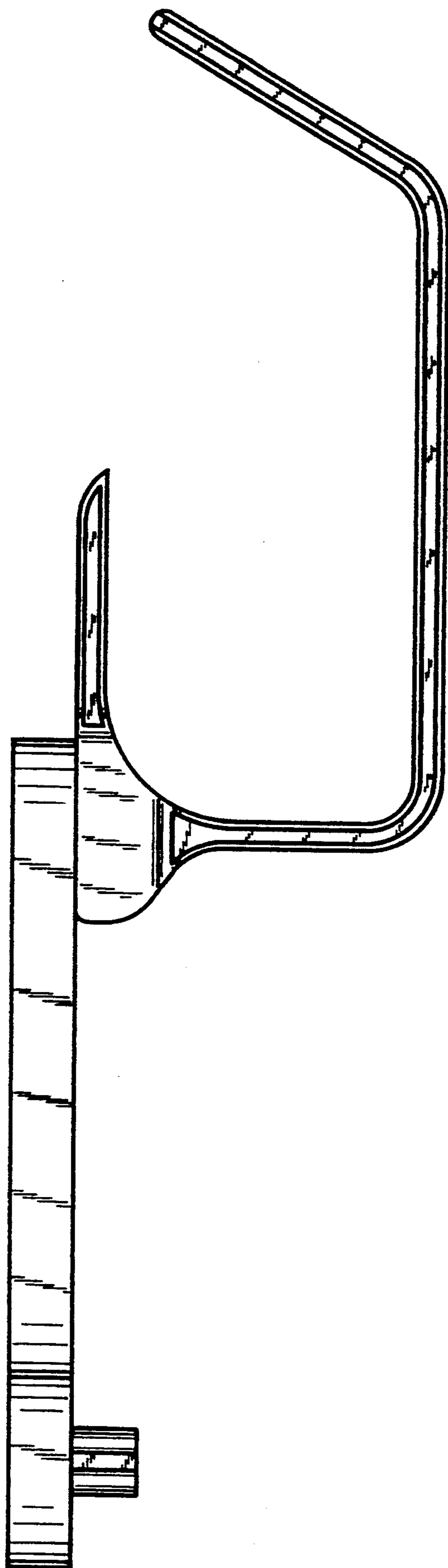
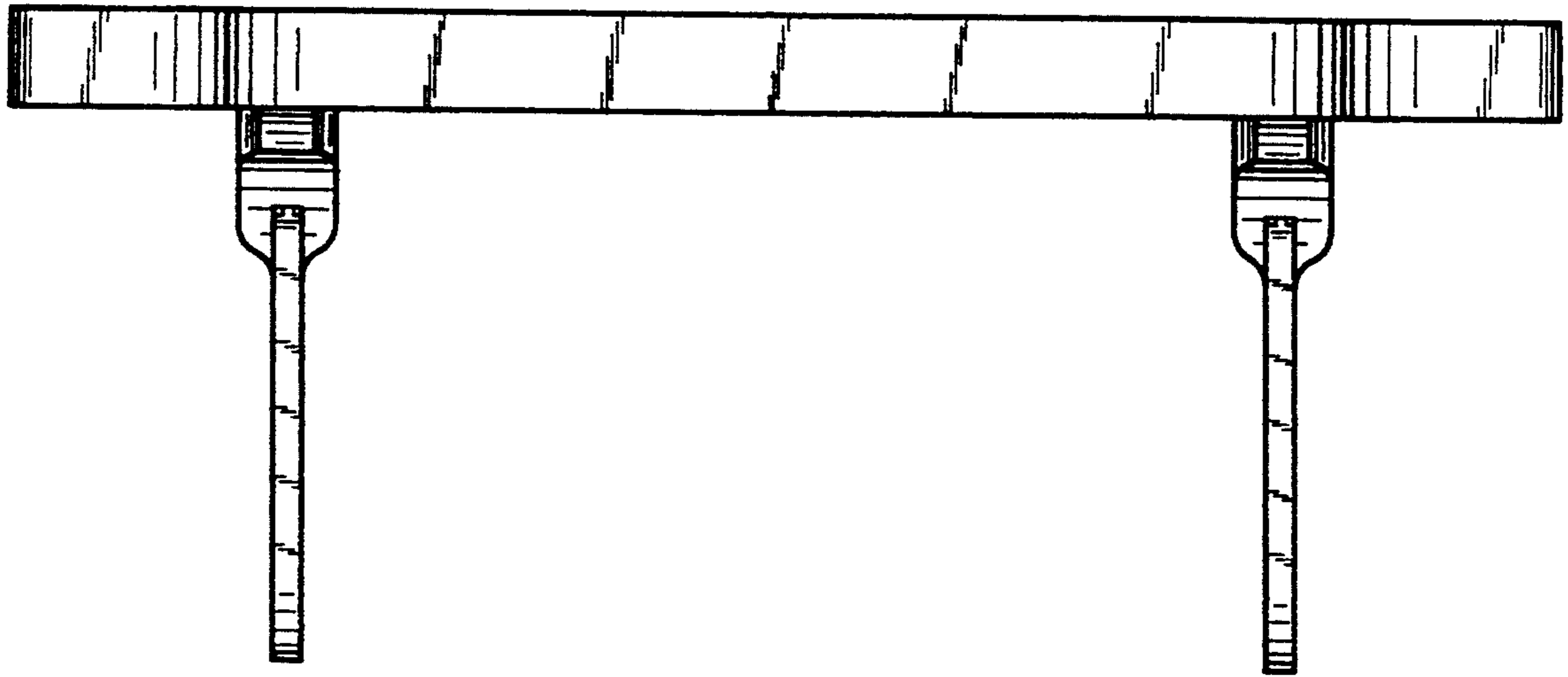
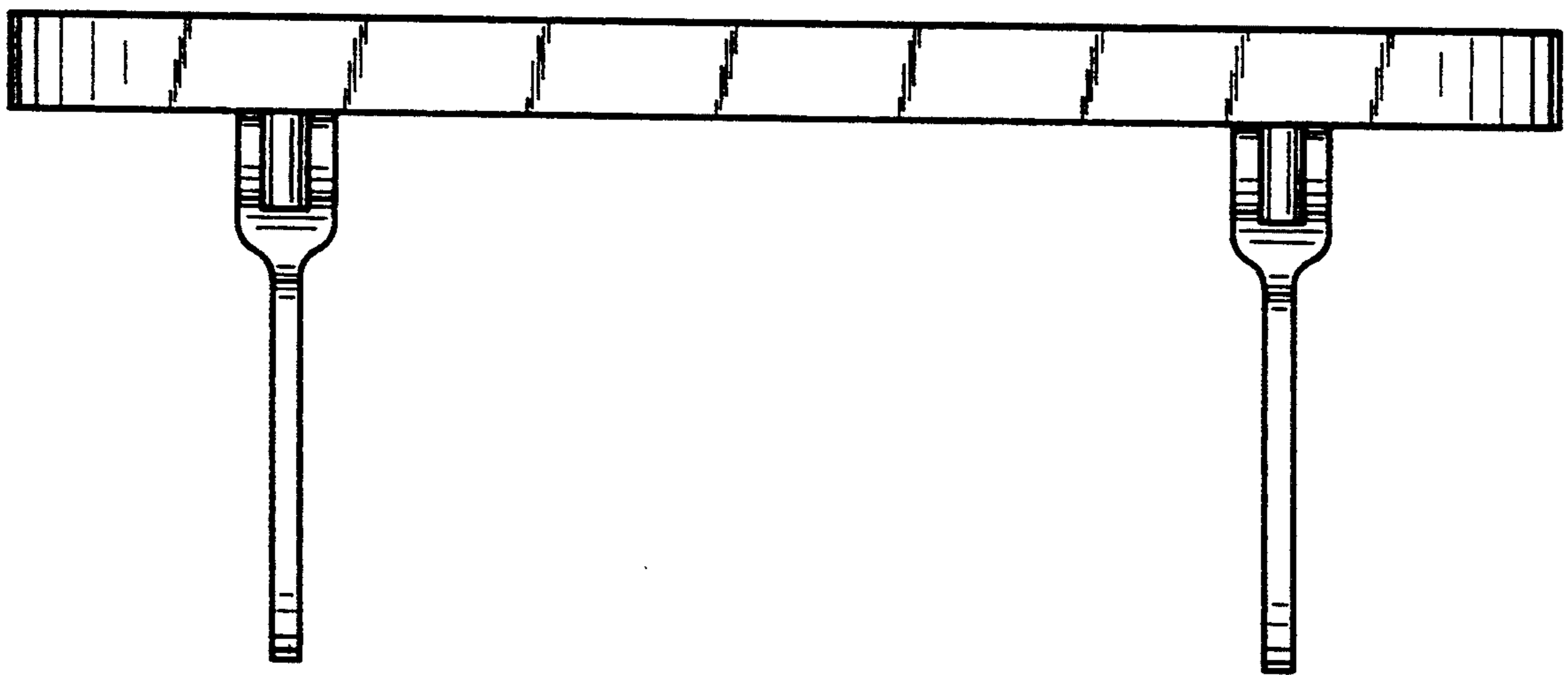


FIG. 3



—FIG. 4



—FIG. 5

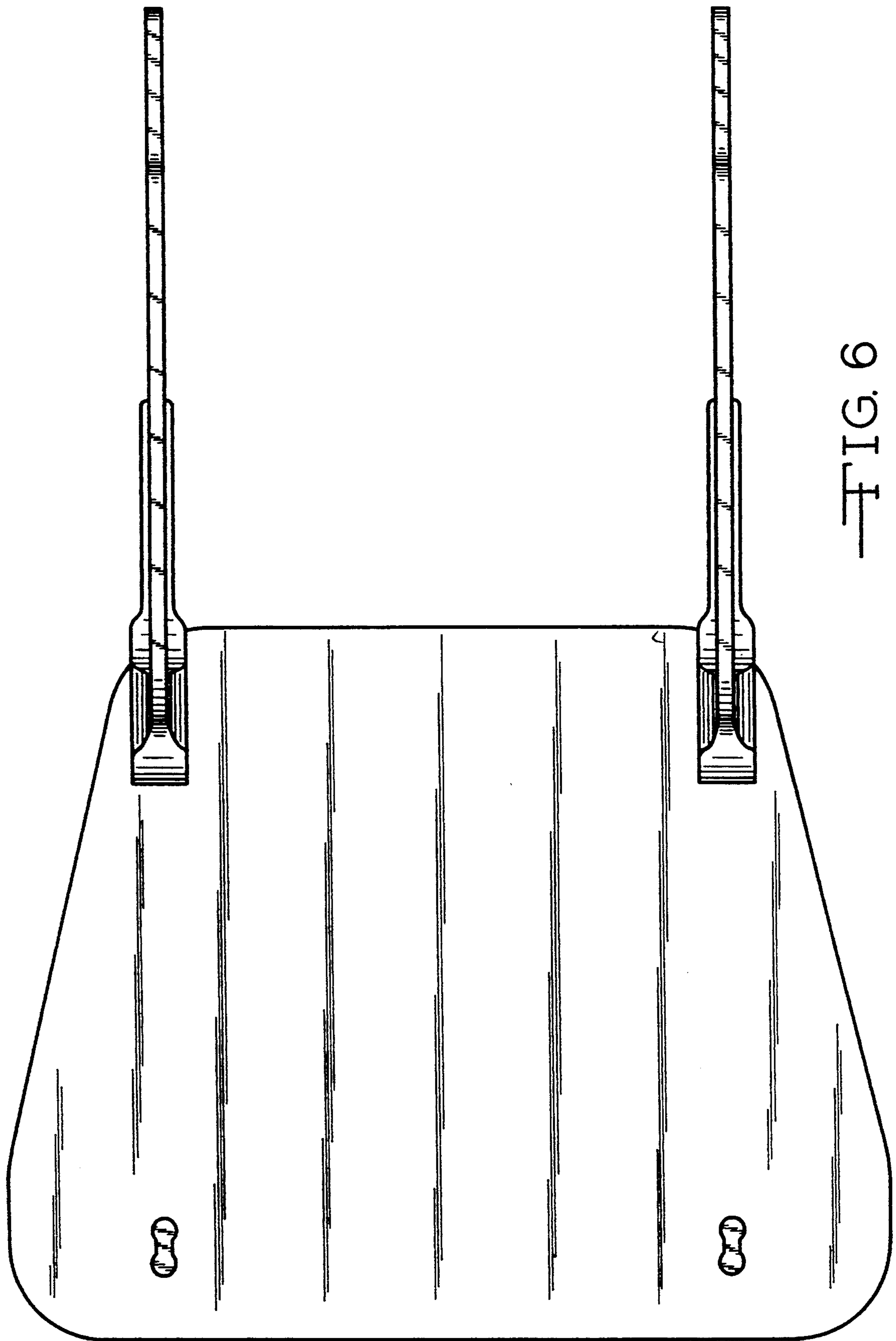


FIG. 6