



US00D356466S

United States Patent [19]

[11] Patent Number: **Des. 356,466**

Classen

[45] Date of Patent: **** Mar. 21, 1995**

[54] **HOUSEHOLD ELECTRIC COFFEEMAKER WITH GLASS POT**

4,872,403 10/1989 Le Gesse et al. 99/295 X

[75] Inventor: **Bernd Classen**, Solingen, Germany

[73] Assignee: **Robert Krups GmbH & Co KG**, Solingen, Germany

[**] Term: **14 Years**

[21] Appl. No.: **14,732**

[22] Filed: **Oct. 29, 1993**

[30] **Foreign Application Priority Data**

Apr. 29, 1993 [FR] France 932310
[52] U.S. Cl. **D7/309; D7/36;**

[58] **Field of Search** **D7/300, 305, 309, 310,**
D7/311, 312, 304, 308; 99/295, 300, 304, 307,
306

[56] **References Cited**

U.S. PATENT DOCUMENTS

D. 200,148	1/1965	Se Bastian	D7/311 X
D. 254,893	5/1980	Smit	D7/309
D. 285,276	8/1986	Daher	D7/309
D. 290,215	6/1987	Sonnetag et al.	D7/305 X
D. 303,903	10/1989	Ueda et al.	D7/309
D. 304,541	11/1989	Seiffert	D7/309
D. 337,915	8/1993	Kahlcke	D7/308
3,968,740	7/1976	Brown	99/304 X

OTHER PUBLICATIONS

Toshiba Coffeepot, House Beautiful Oct. 1985 p. 113 (top of page).

Coffee Team (top left) Form Jan. 1986 p. 41.

Coffeemaker by Norelco, HFD Mar. 3, 1986 p. 57.

Primary Examiner—Alan P. Douglas

Assistant Examiner—M. N. Pandozzi

Attorney, Agent, or Firm—Young & Thompson

[57] **CLAIM**

The ornamental design for a household electric coffee-maker with glass pot, as shown.

DESCRIPTION

FIG. 1 is a front, top and side perspective view of a household electric coffeemaker with glass pot showing my new design;

FIG. 2 is a front, top and side perspective view thereof from the lateral side opposite that shown in FIG. 1;

FIG. 3 is a front elevational view thereof;

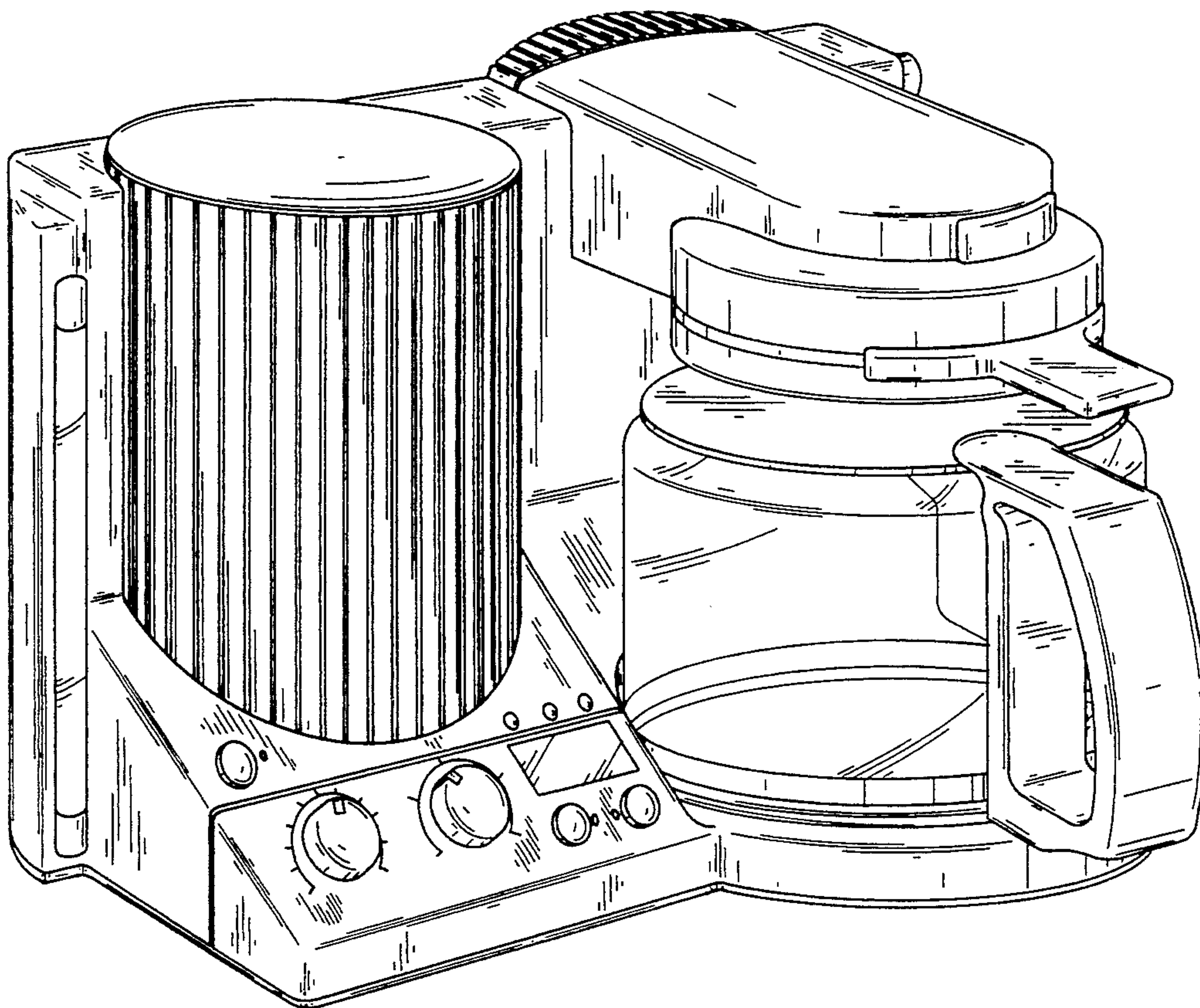
FIG. 4 is a side elevational view thereof from the right of FIG. 3;

FIG. 5 is a side elevational view thereof from the left of FIG. 3;

FIG. 6 is a rear elevational view thereof;

FIG. 7 is a top plan view thereof; and,

FIG. 8 is a bottom plan view thereof.



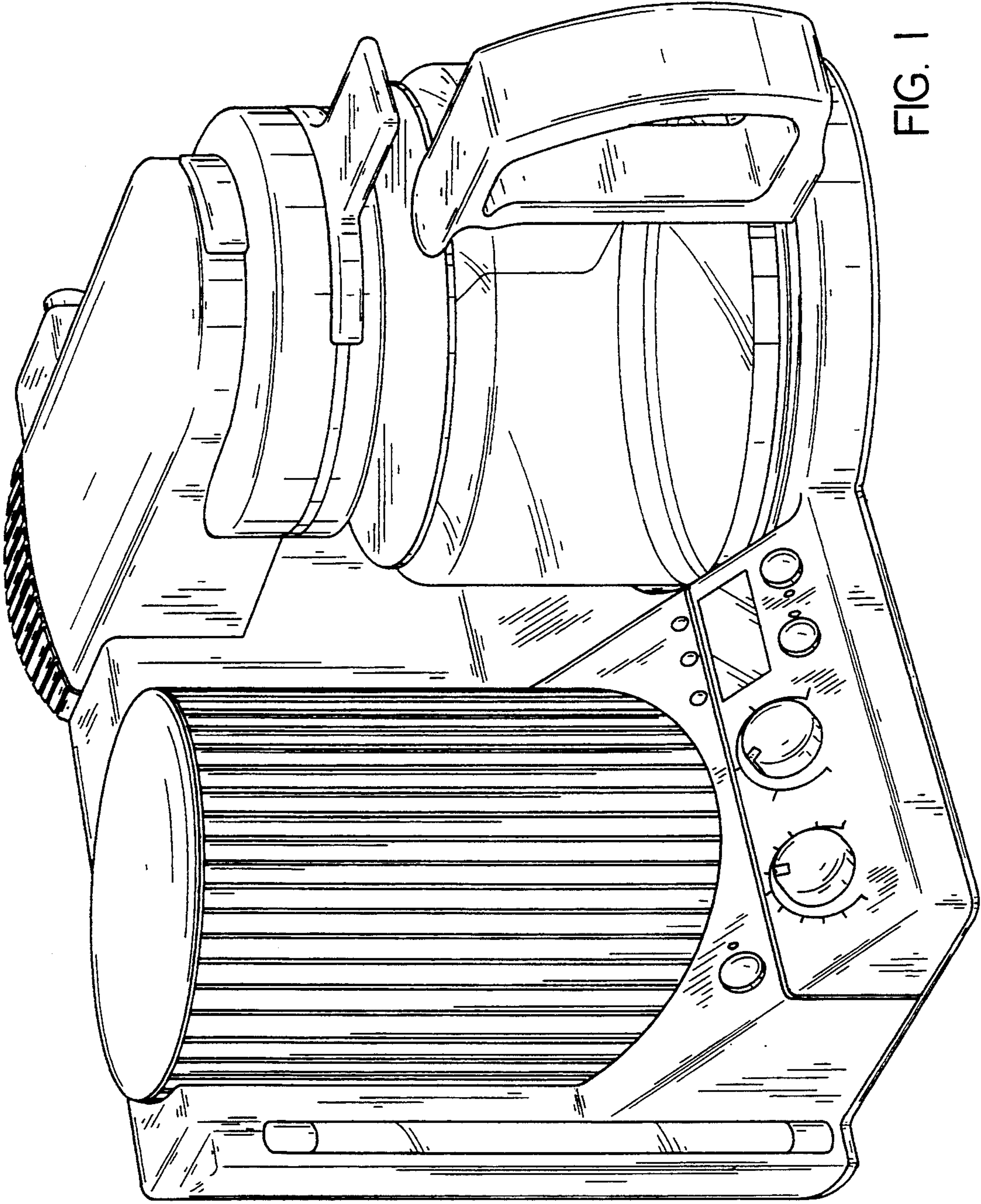
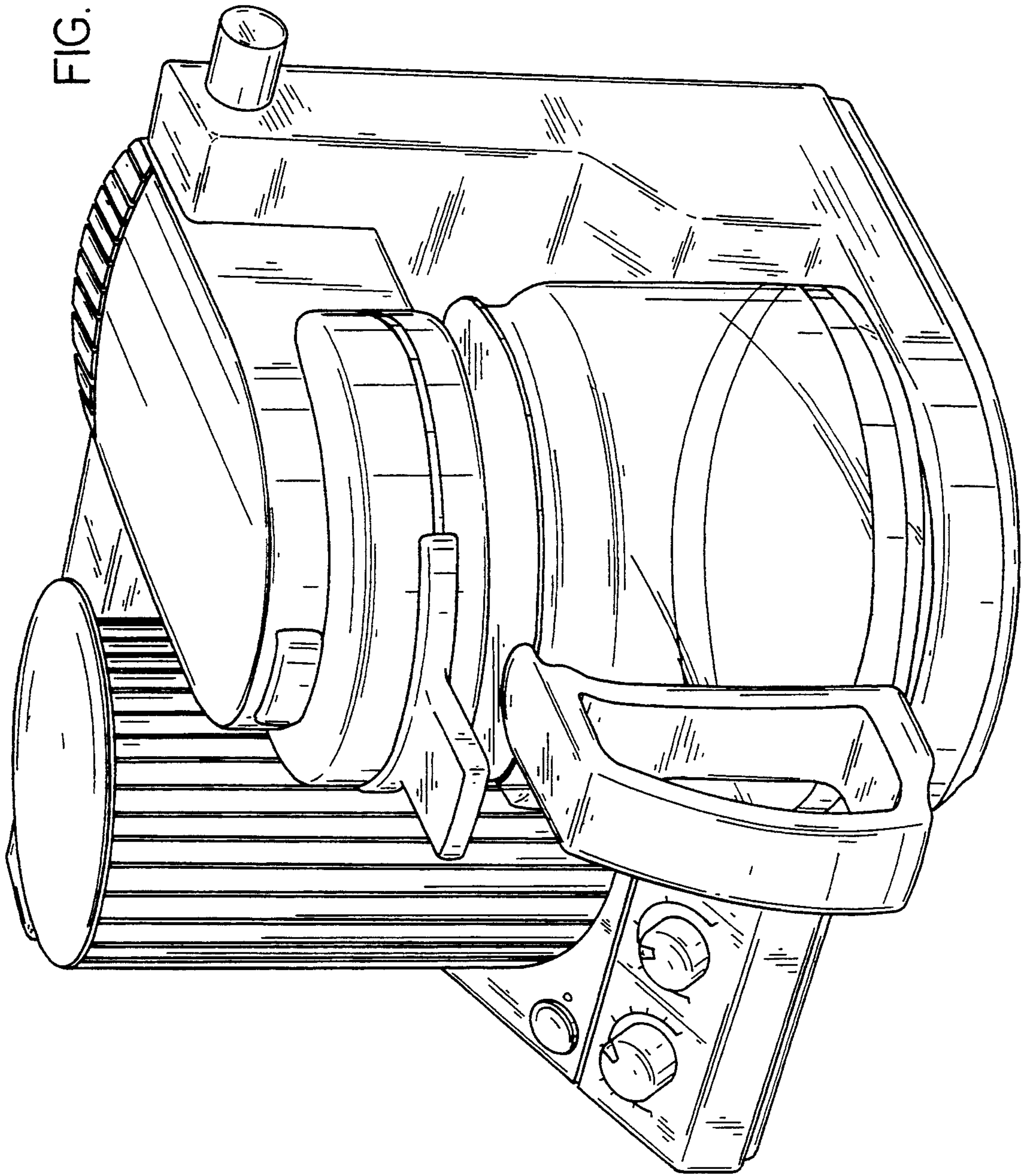


FIG. 1

FIG. 2



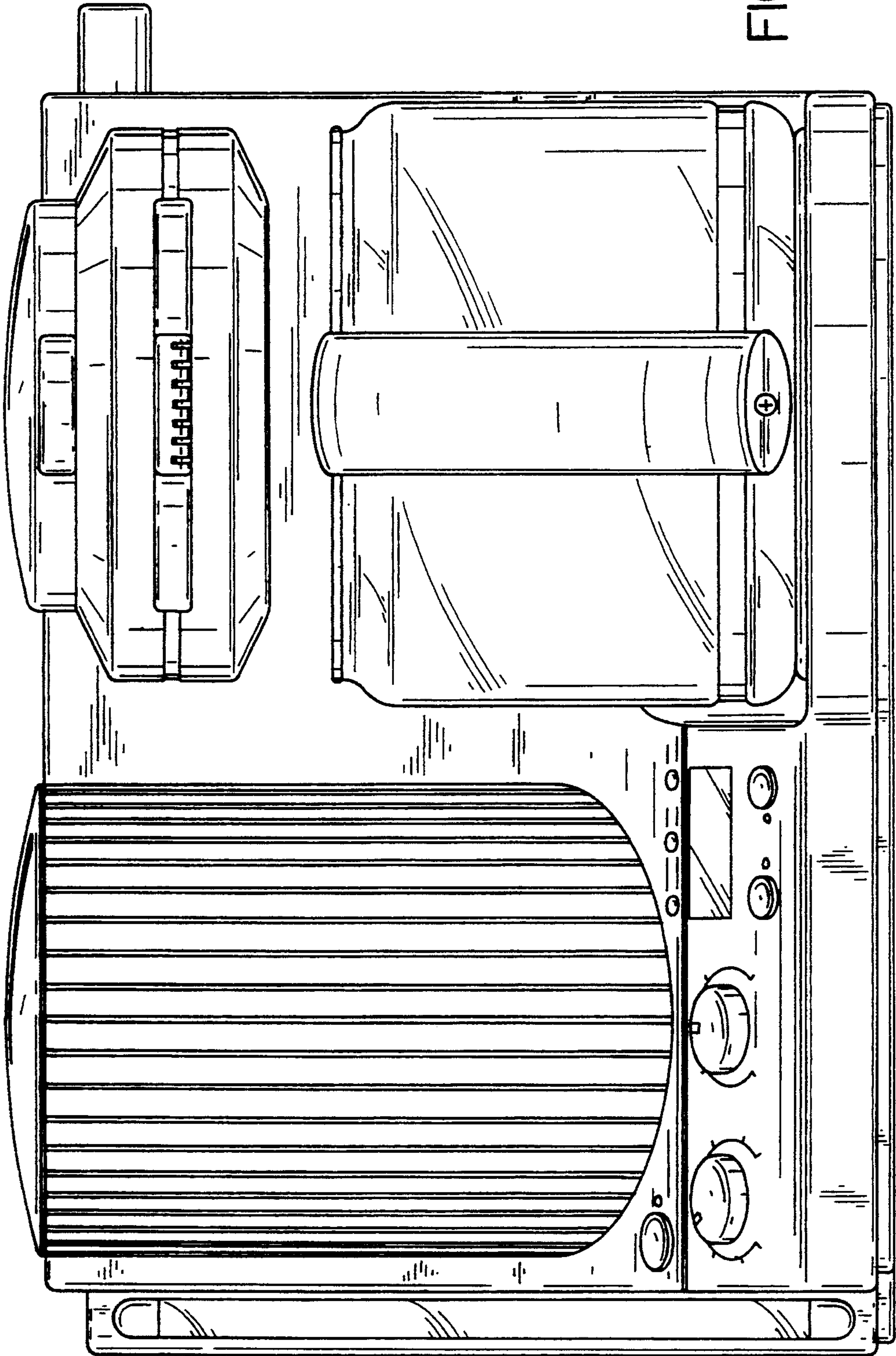


FIG. 3

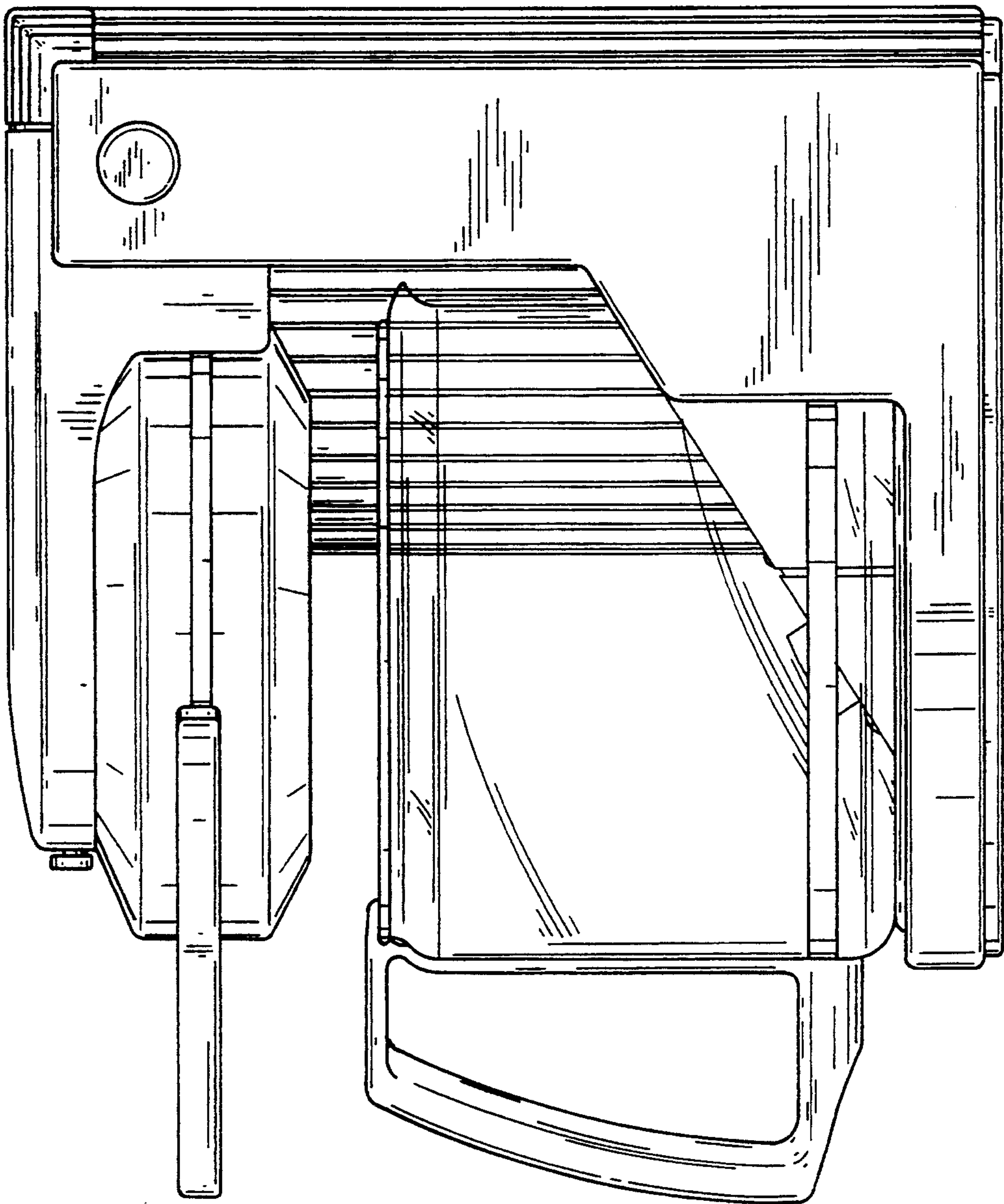
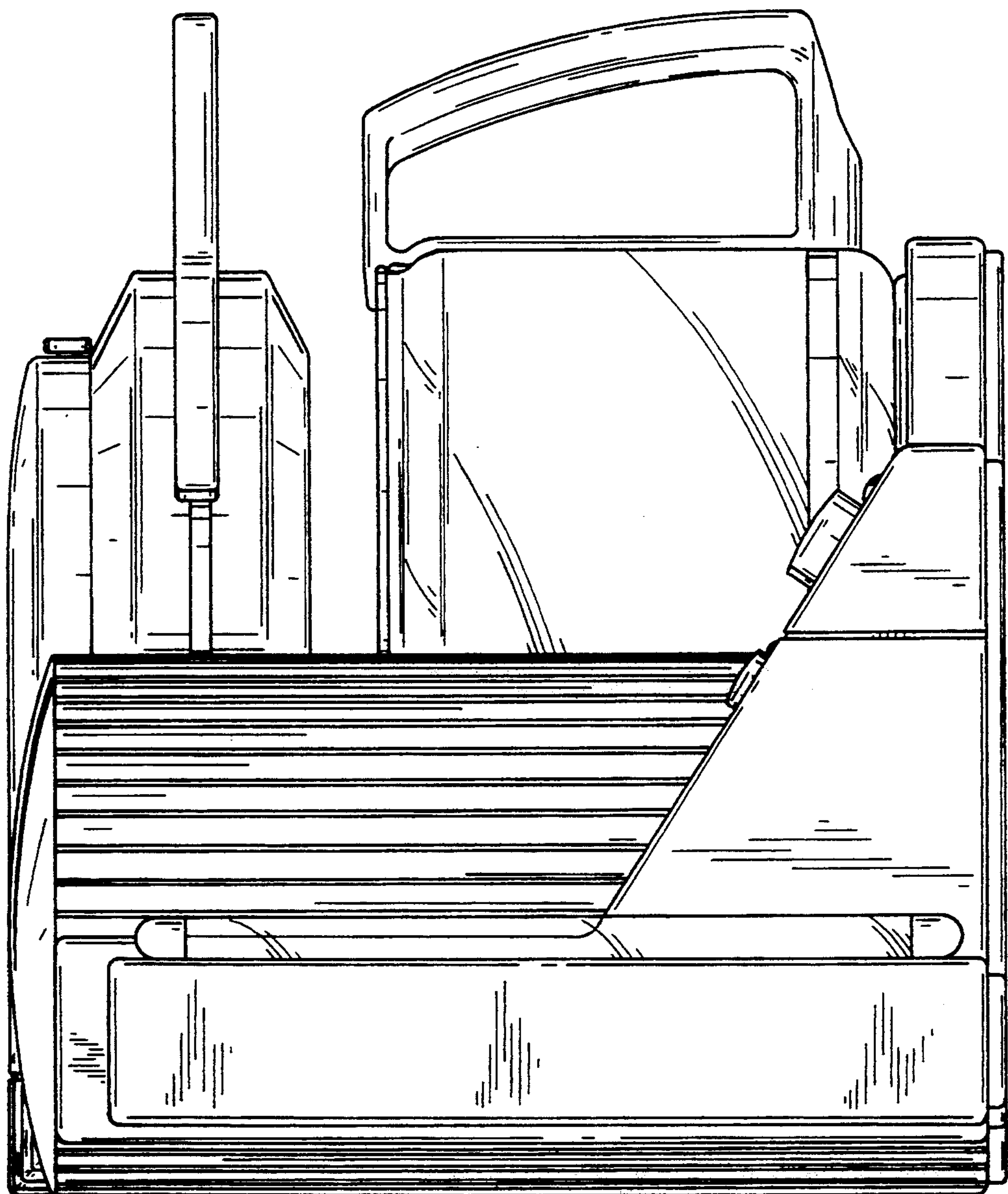


FIG. 4

FIG. 5



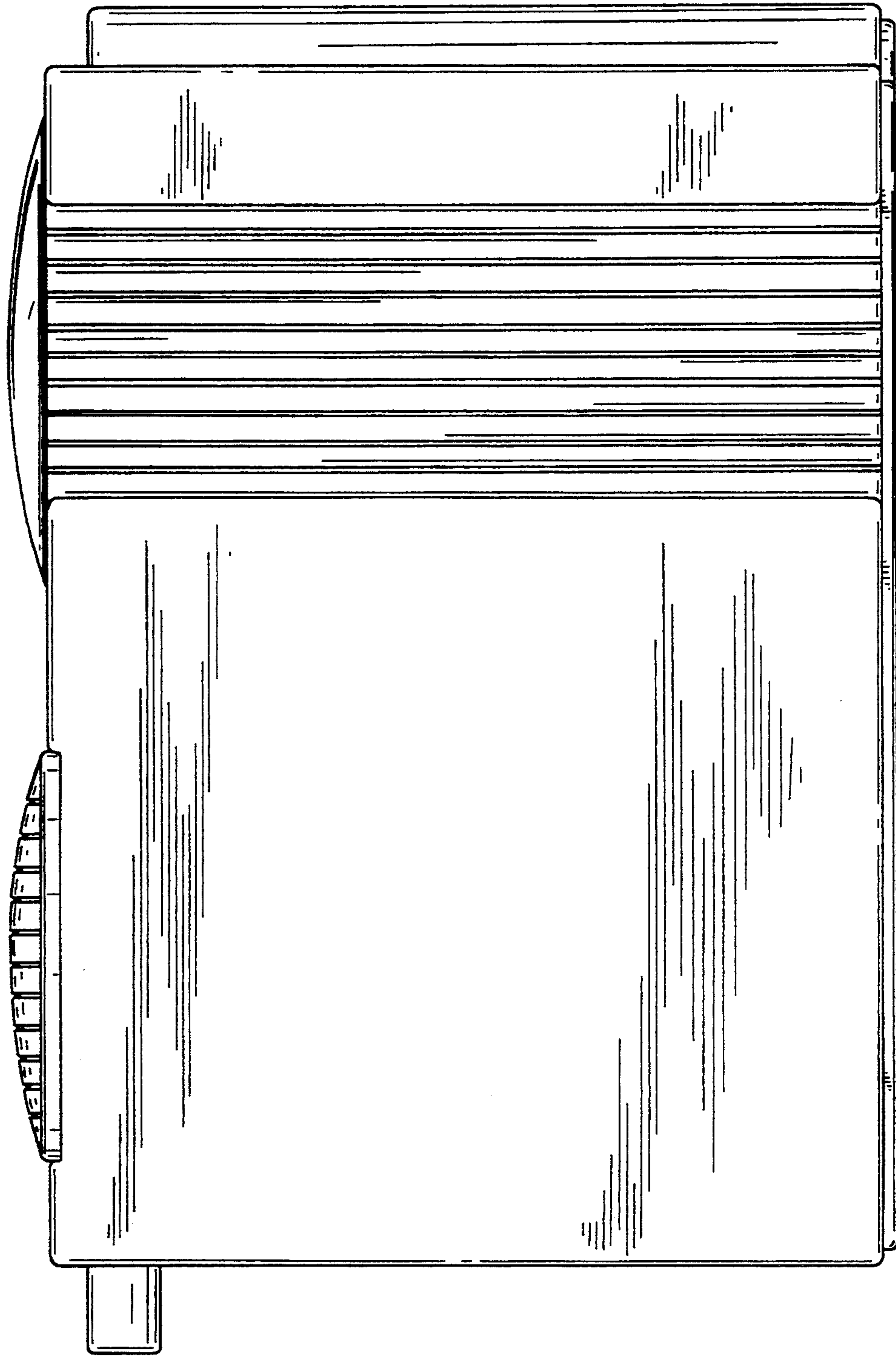


FIG. 6

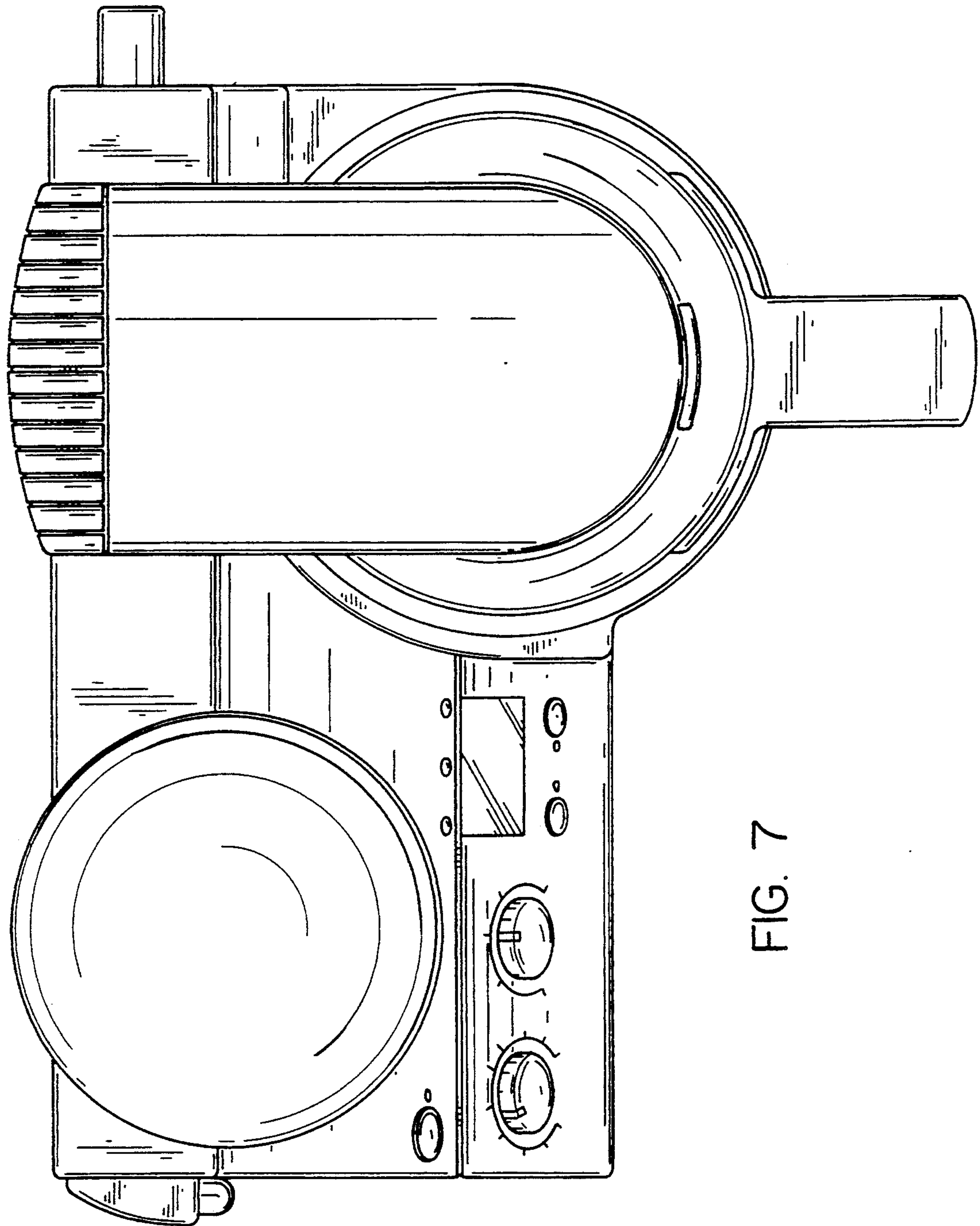


FIG. 7

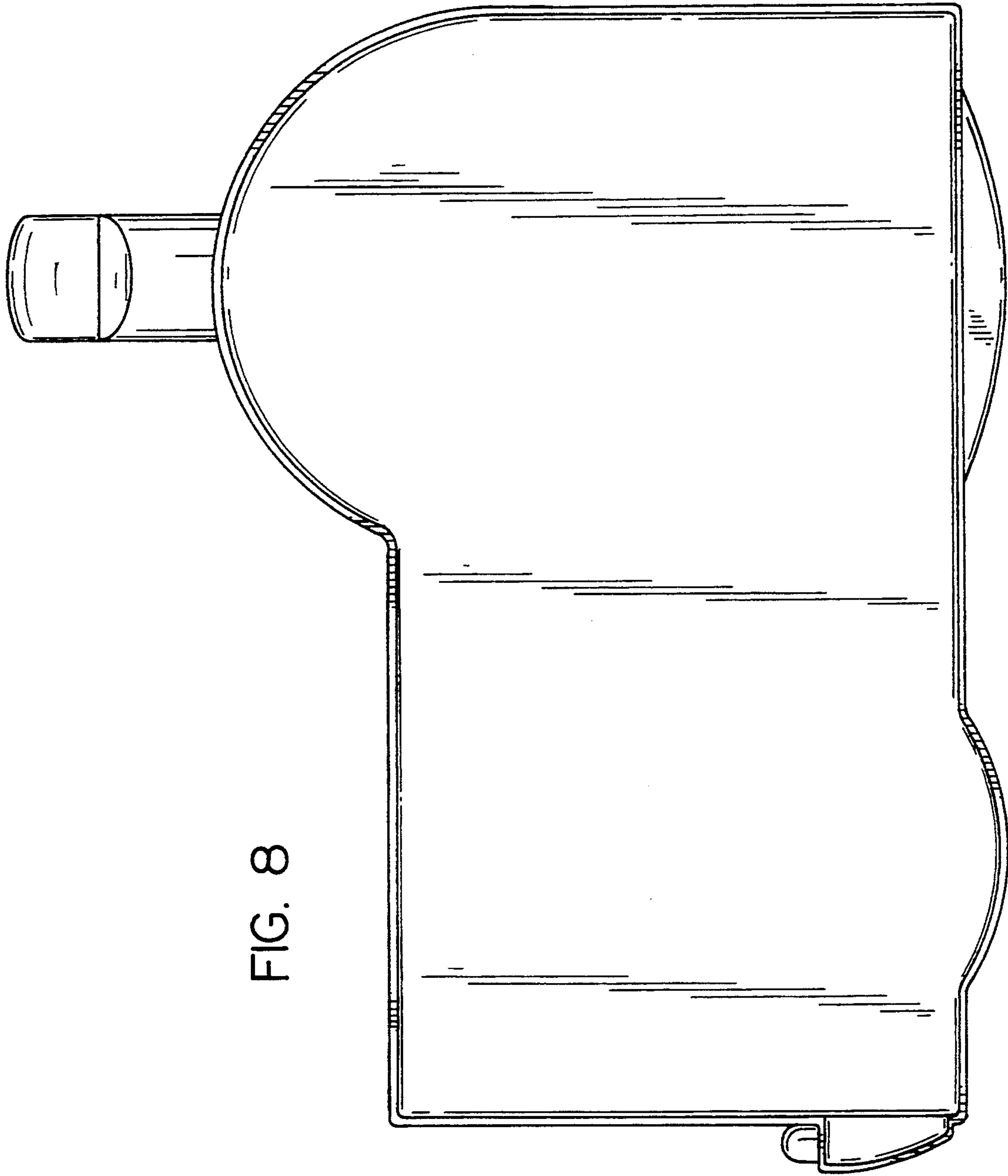


FIG. 8