



US00D356465S

United States Patent [19]

[11] Patent Number: Des. 356,465

Classen

[45] Date of Patent: ** Mar. 21, 1995

[54] HOUSEHOLD ELECTRIC COFFEEMAKER WITH GLASS POT

4,872,403 10/1989 LeGesse et al. 99/295 X

[75] Inventor: Bernd Classen, Solingen, Germany

OTHER PUBLICATIONS

[73] Assignee: Robert Krups GmbH & Co KG, Solingen, Sweden

Toshiba Coffeepot, House Beautiful Oct. 1985 p. 113 (top of page).

[**] Term: 14 Years

Coffee Team (top left) Form Jan. 1986 p. 41.

[21] Appl. No.: 14,731

Coffeemaker by Norelco, HFD Mar. 3, 1986 p. 57.

[22] Filed: Oct. 29, 1993

Primary Examiner—Alan P. Douglas

Assistant Examiner—M. N. Pandozzi

Attorney, Agent, or Firm—Young & Thompson

[30] Foreign Application Priority Data

[57] CLAIM

Apr. 29, 1993 [FR] France 932311

The ornamental design for a household electric coffee-maker with glass pot, as shown.

[52] U.S. Cl. D7/309; D7/310; D7/311

DESCRIPTION

[58] Field of Search D7/300, 305, 309, 310, D7/311, 312, 304, 308; 99/295, 300, 304, 307, 306

FIG. 1 is a front, top and side perspective view of a household electric coffeemaker with glass pot showing my new design;

[56] References Cited

U.S. PATENT DOCUMENTS

- D. 200,148 1/1965 Se Bastian D7/311 X
- D. 254,893 5/1980 Smit D7/309
- D. 285,276 8/1986 Daher D7/309
- D. 290,215 6/1987 Sonnetag et al. D7/305 X
- D. 303,903 10/1989 Ueda et al. D7/309
- D. 304,541 11/1989 Seiffert D7/309
- D. 337,158 8/1993 Kahlcke D7/308
- 3,968,746 7/1976 Brown 99/304 X

FIG. 2 is a front, top and side perspective view thereof from the lateral side opposite that shown in FIG. 1;

FIG. 3 is a front elevational view thereof;

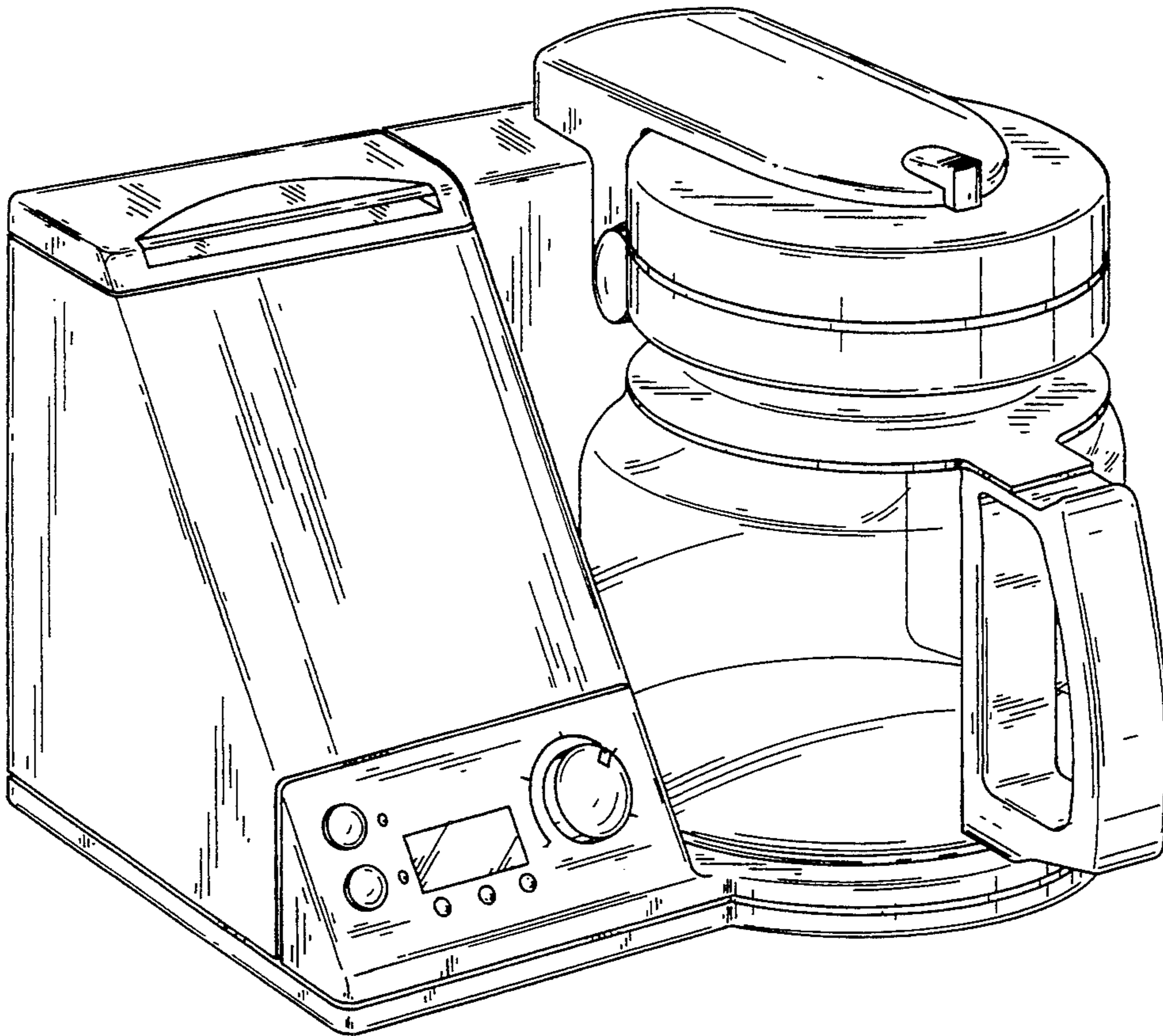
FIG. 4 is a side elevational view thereof from the right of FIG. 3;

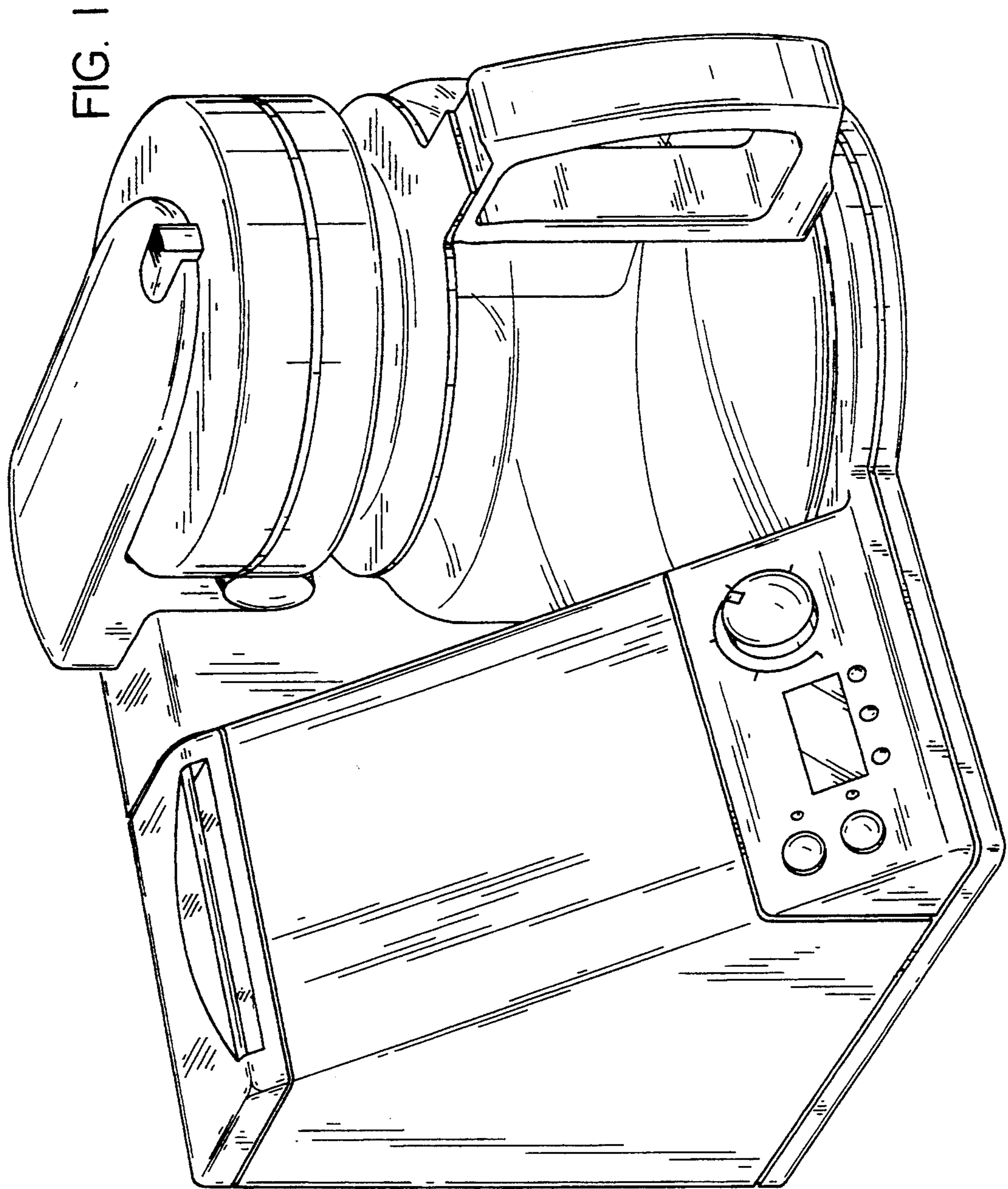
FIG. 5 is a side elevational view thereof from the left of FIG. 3;

FIG. 6 is a rear elevational view thereof;

FIG. 7 is a top plan view thereof; and,

FIG. 8 is a bottom plan view thereof.





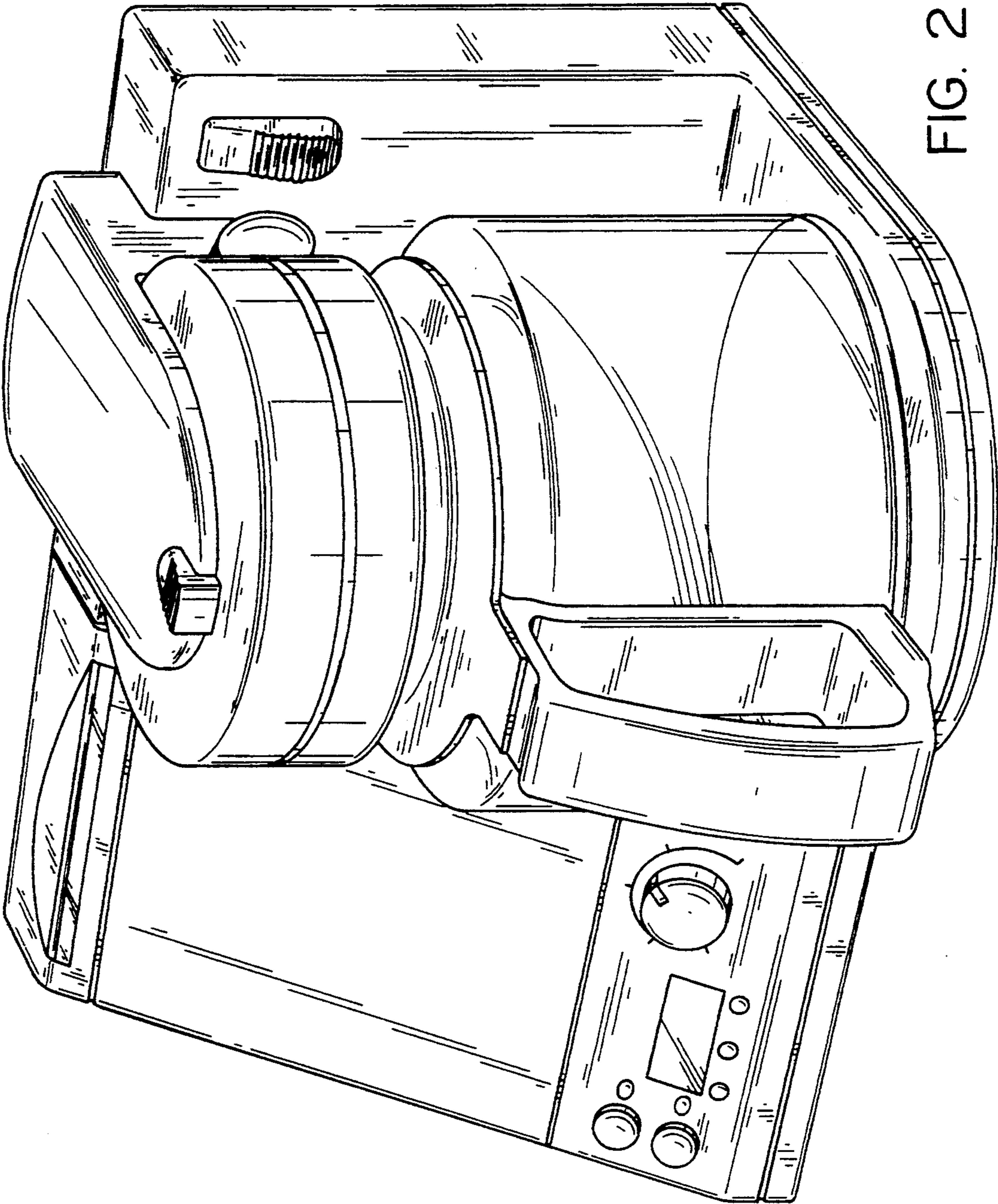


FIG. 2

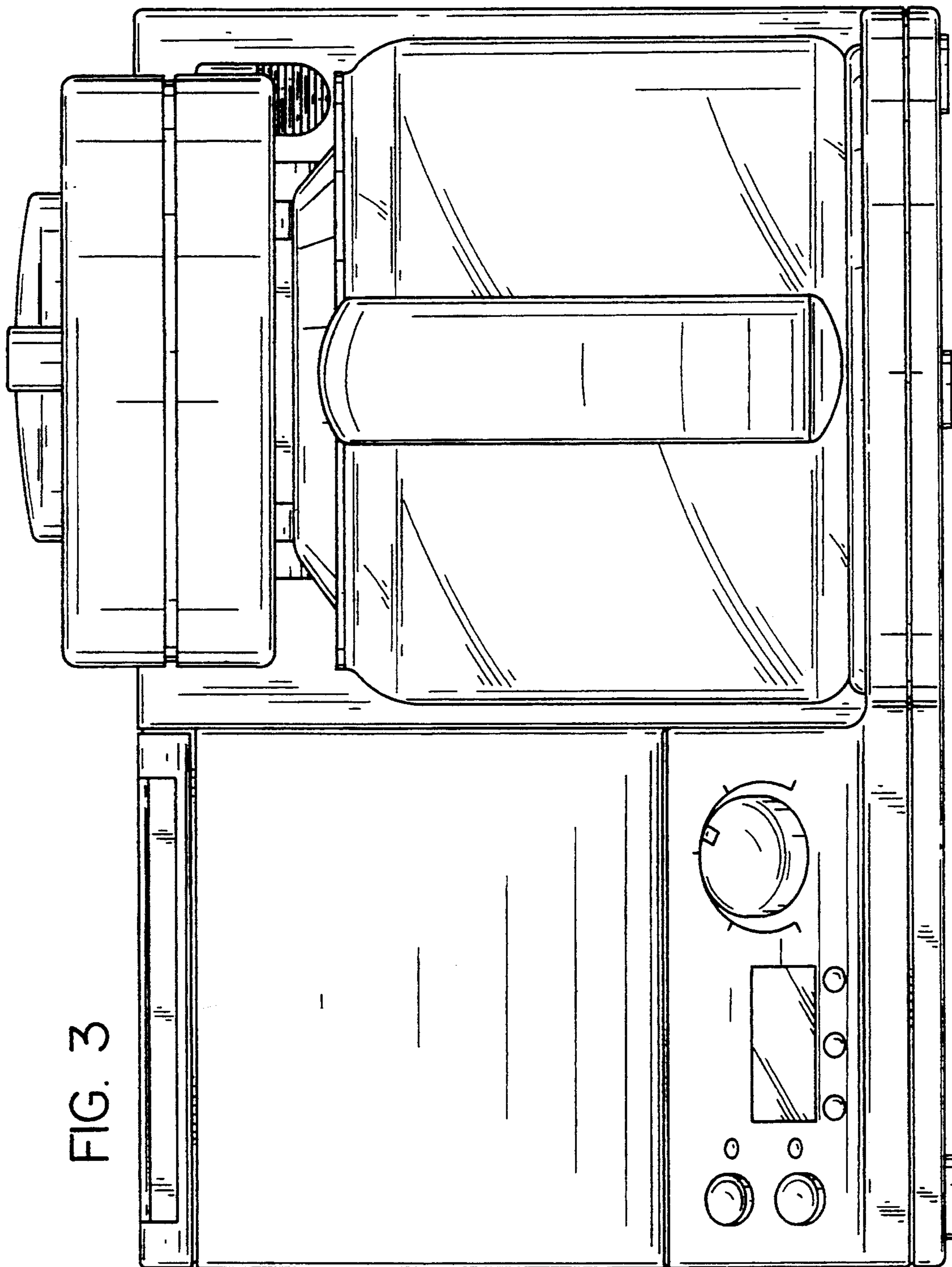


FIG. 3

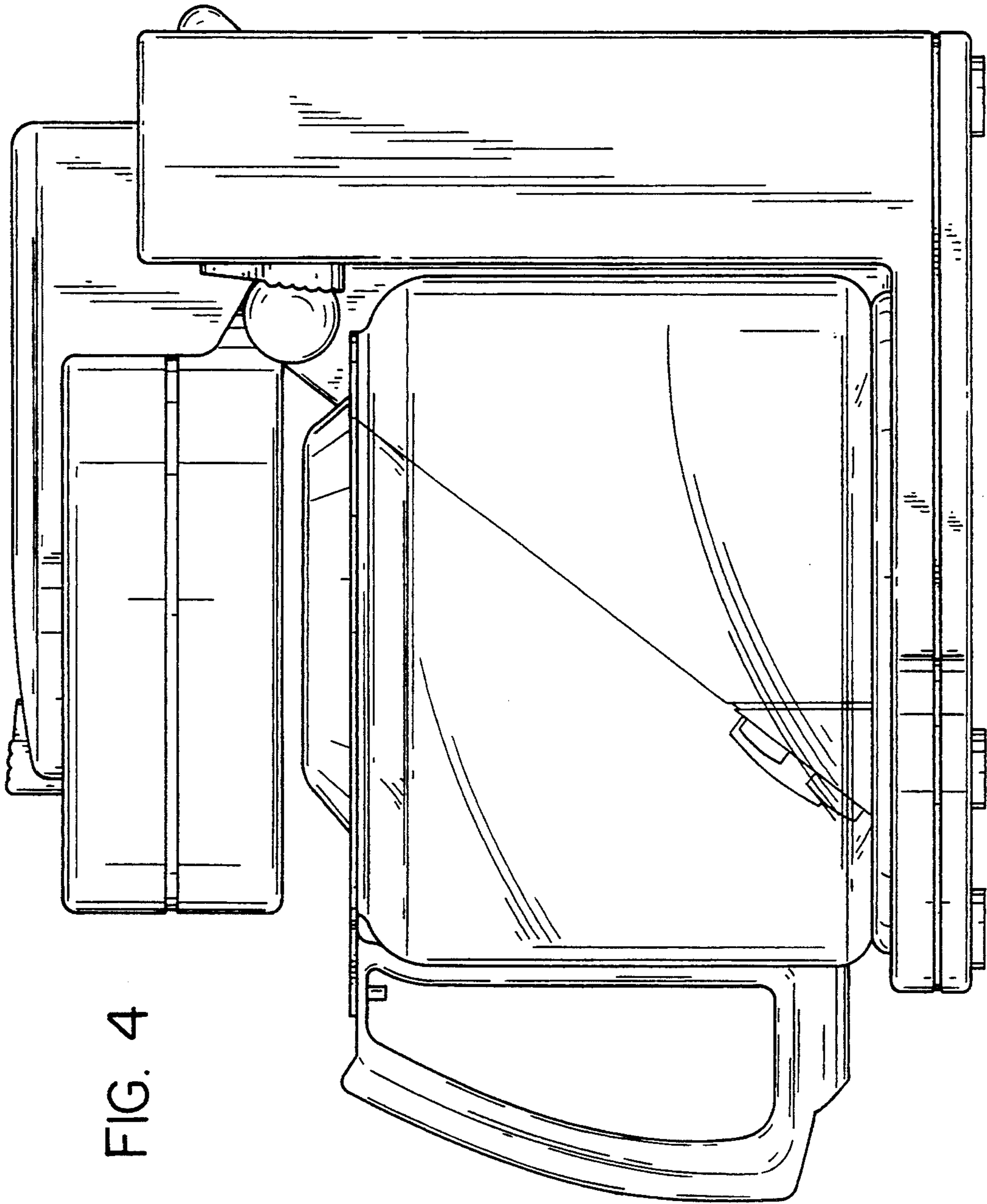


FIG. 4

FIG. 5

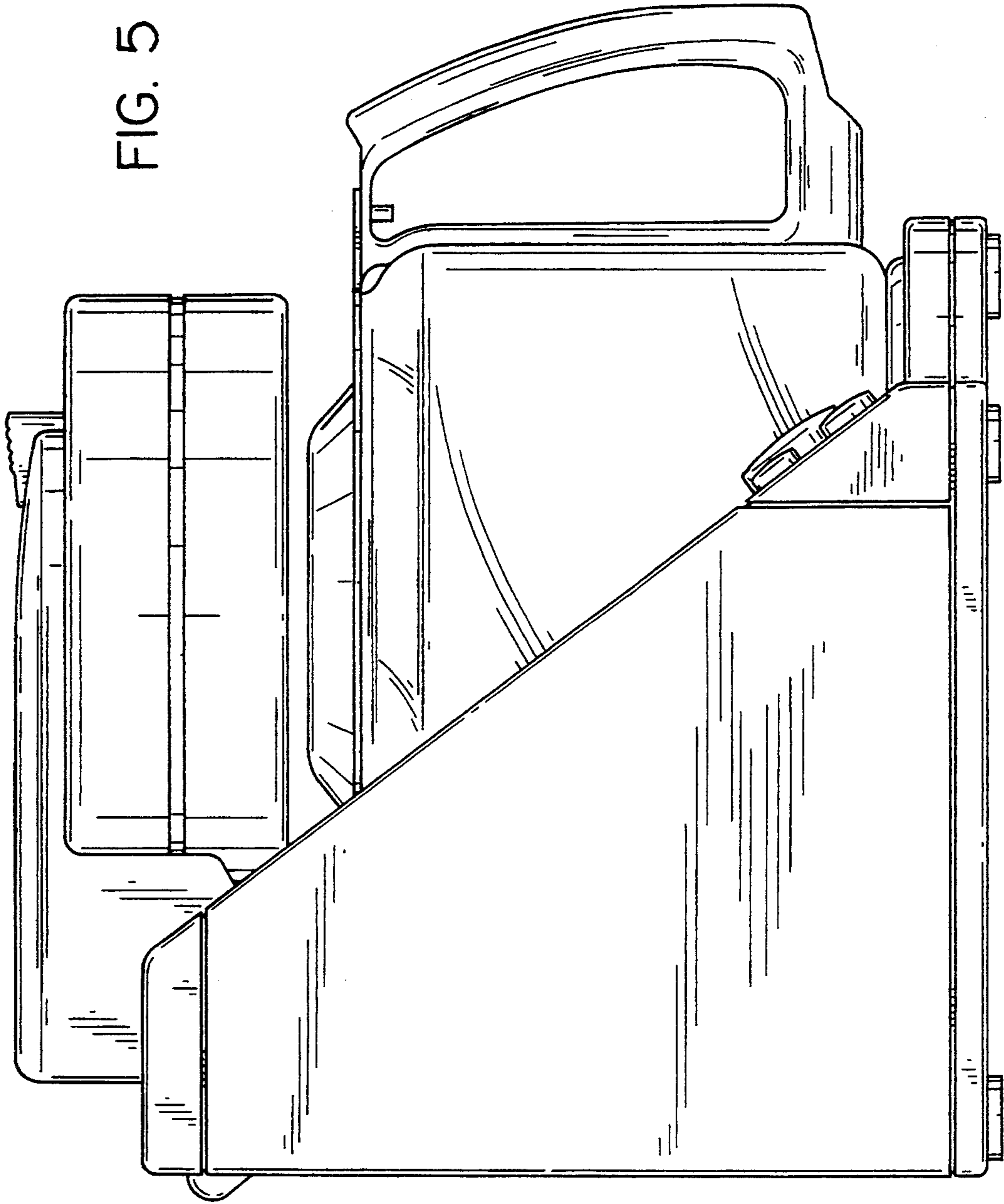


FIG. 6

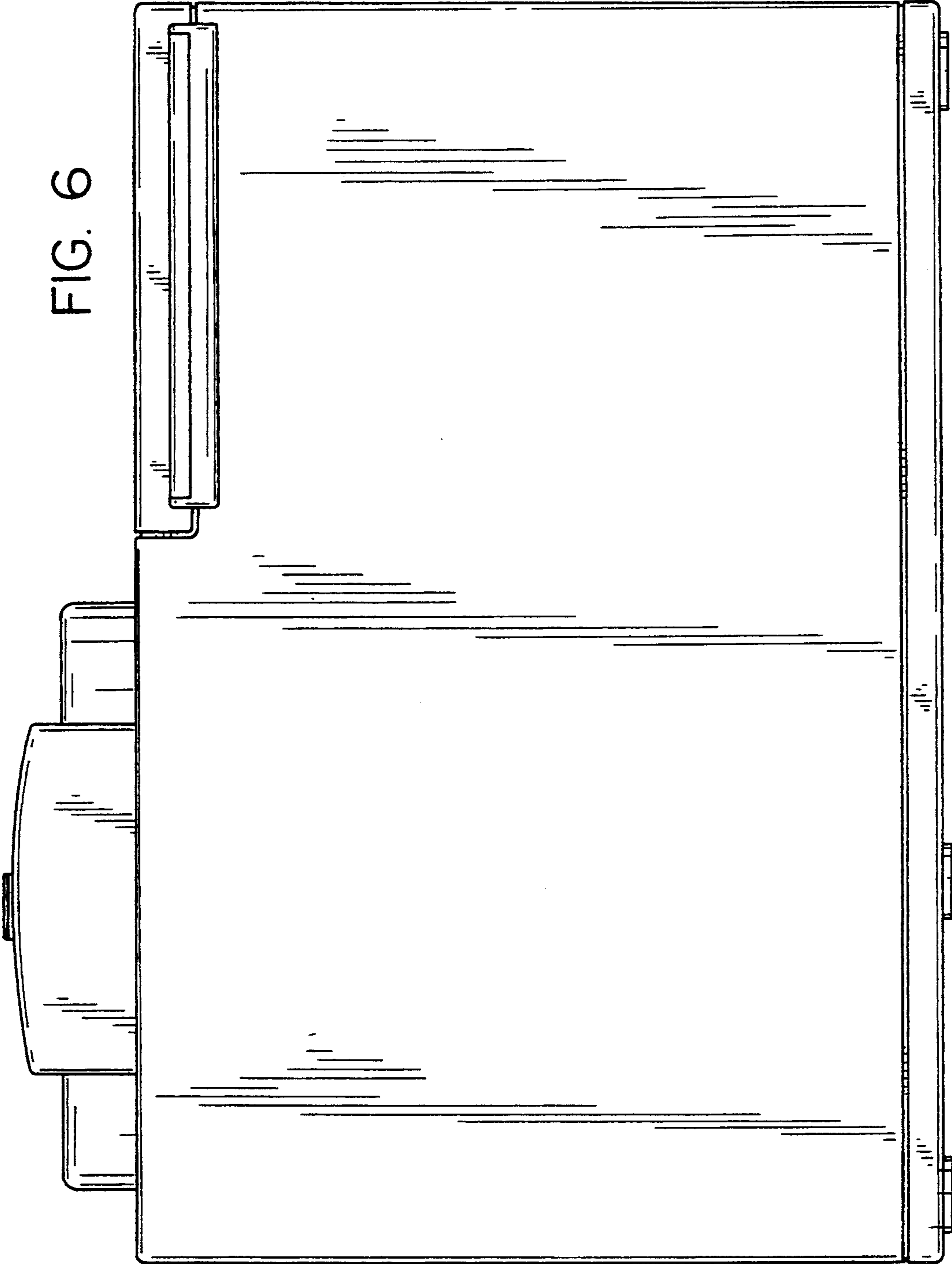
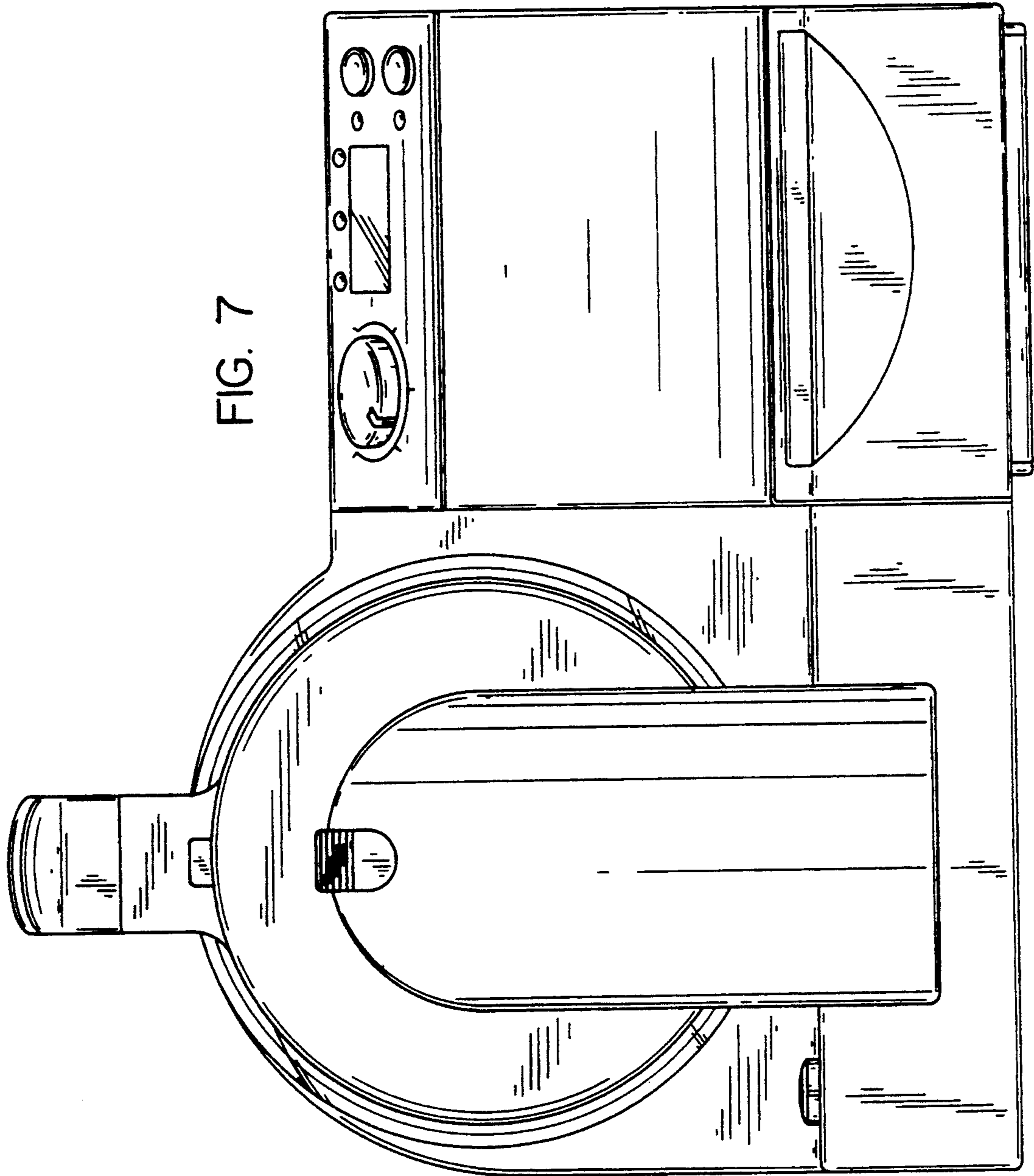


FIG. 7



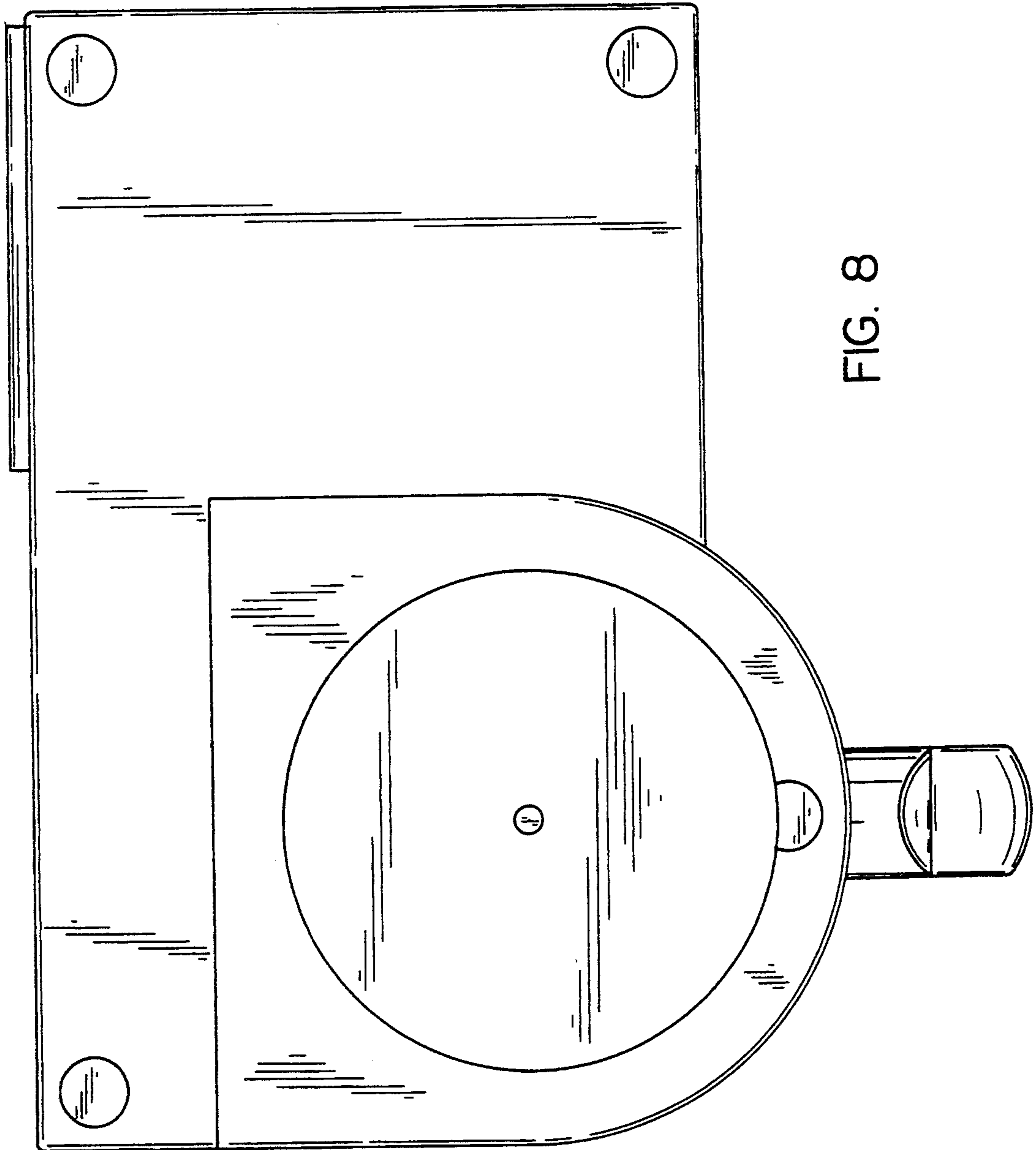


FIG. 8