



US00D356464S

# United States Patent [19]

[11] Patent Number: **Des. 356,464**

Sankey

[45] Date of Patent: **\*\* Mar. 21, 1995**

[54] **STORAGE CONTAINER FOR COMPACT VHS TAPES**

[75] Inventor: **James K. Sankey**, Hudson, Ohio

[73] Assignee: **Alpha Enterprises, Inc.**, North Canton, Ohio

[\*] Notice: The portion of the term of this patent subsequent to Jun. 21, 2008 has been disclaimed.

[\*\*] Term: **14 Years**

[21] Appl. No.: **15,499**

[22] Filed: **Nov. 18, 1993**

[52] U.S. Cl. .... **D6/632; D6/639; D6/634**

[58] **Field of Search** ..... **D6/407, 408, 626, 628, D6/629, 630, 631, 632, 634, 635; D19/75, 76; 206/1.8, 1.9, 309, 310, 311, 312, 45.13, 444, 445, 450, 473, 485, 486; 211/184, 59.4**

[56] **References Cited**

**U.S. PATENT DOCUMENTS**

D. 246,854	1/1978	Baker	.....	D9/341
D. 249,590	9/1978	Berkman	.....	D6/631
D. 259,450	6/1981	Velarud	.....	D6/407
D. 280,467	1/1985	Mihojevich	.....	D3/35
D. 289,342	4/1987	Reichow	.....	D3/35
D. 293,279	12/1987	Evans	.....	D3/35
D. 296,153	6/1988	Reichow	.....	D6/631
D. 298,287	11/1988	Stravitz	.....	D3/35
D. 306,234	2/1990	Ferstl	.....	D3/74
D. 326,357	5/1992	Chow	.....	D3/35
D. 330,120	10/1992	Temple	.....	D6/407

D. 330,975	11/1992	Stafford	.....	D3/35
D. 345,463	3/1994	Sankey et al.	.....	D6/631
D. 346,510	5/1994	Long et al.	.....	D6/407
D. 347,959	6/1994	Sankey	.....	D6/632
2,678,045	5/1954	Erhard	.....	211/184
3,576,252	4/1971	Conolly	.....	206/1.8
4,525,882	7/1985	Stenberg	.....	211/184
4,552,272	11/1985	Field	.....	211/184
4,629,066	12/1986	Howard	.....	206/425
4,728,158	3/1988	D'Elia et al.	.....	211/184
4,775,058	10/1988	Yatsko	.....	211/184
4,927,016	5/1990	Fuller	.....	D6/631
5,255,802	10/1993	Krinke et al.	.....	211/184

*Primary Examiner*—C. A. Murphy  
*Attorney, Agent, or Firm*—Michael Sand Co.

[57] **CLAIM**

The ornamental design for a storage container for compact VHS tapes, as shown and described.

**DESCRIPTION**

FIG. 1 is a perspective view of a storage container for compact VHS tapes with the cover shown in open position showing my new design;

FIG. 2 is a front elevational view of the container with the cover in closed position;

FIG. 3 is a rear elevational view of FIG. 2;

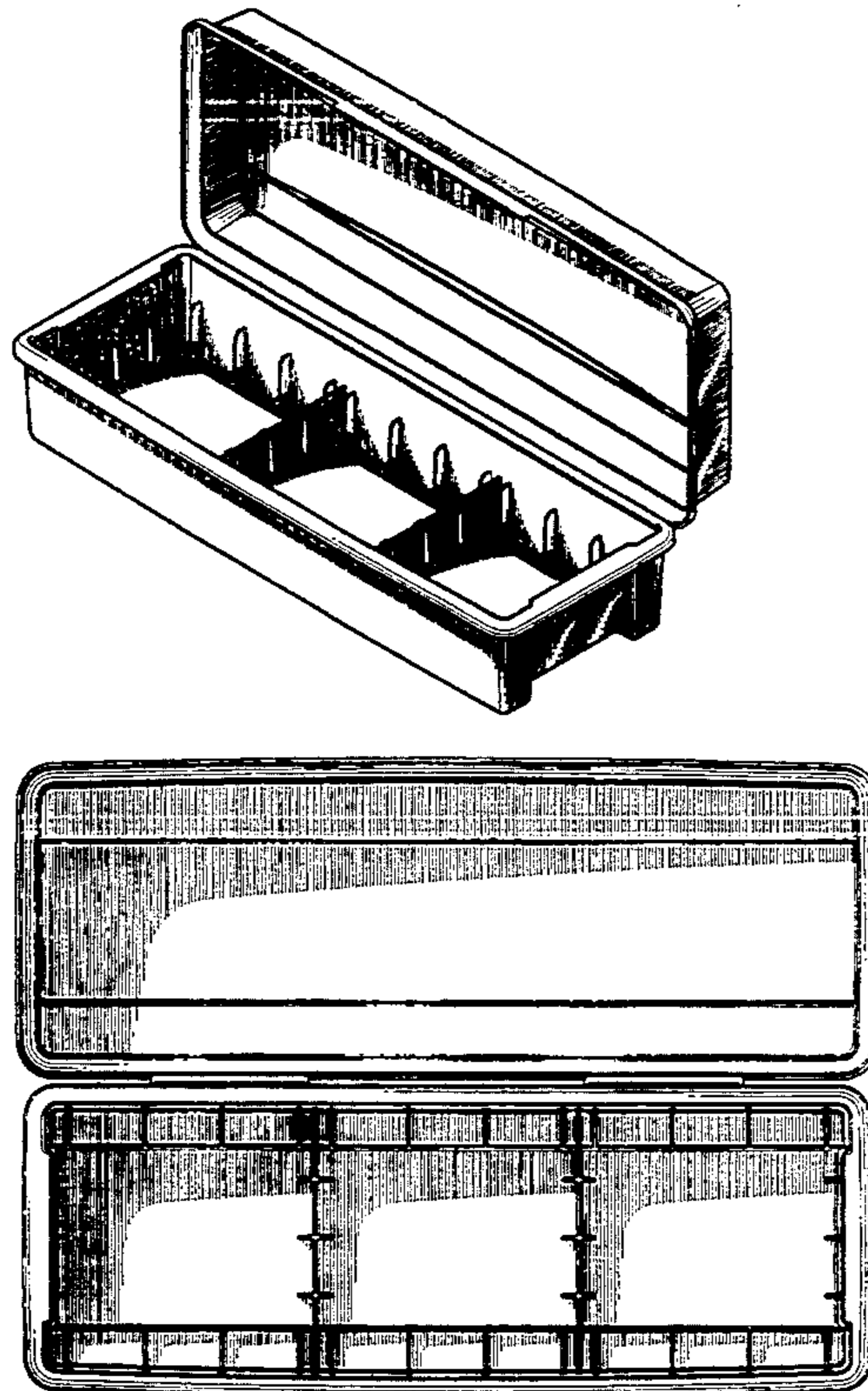
FIG. 4 is a top plan view of FIG. 2;

FIG. 5 is a bottom plan view of FIG. 2;

FIG. 6 is a top plan view with the cover in open position;

FIG. 7 is a right hand elevational view similar to FIG. 2, the left side elevation being a mirror image; and,

FIG. 8 is a right side elevational view similar to FIG. 7 with the lid in open position.



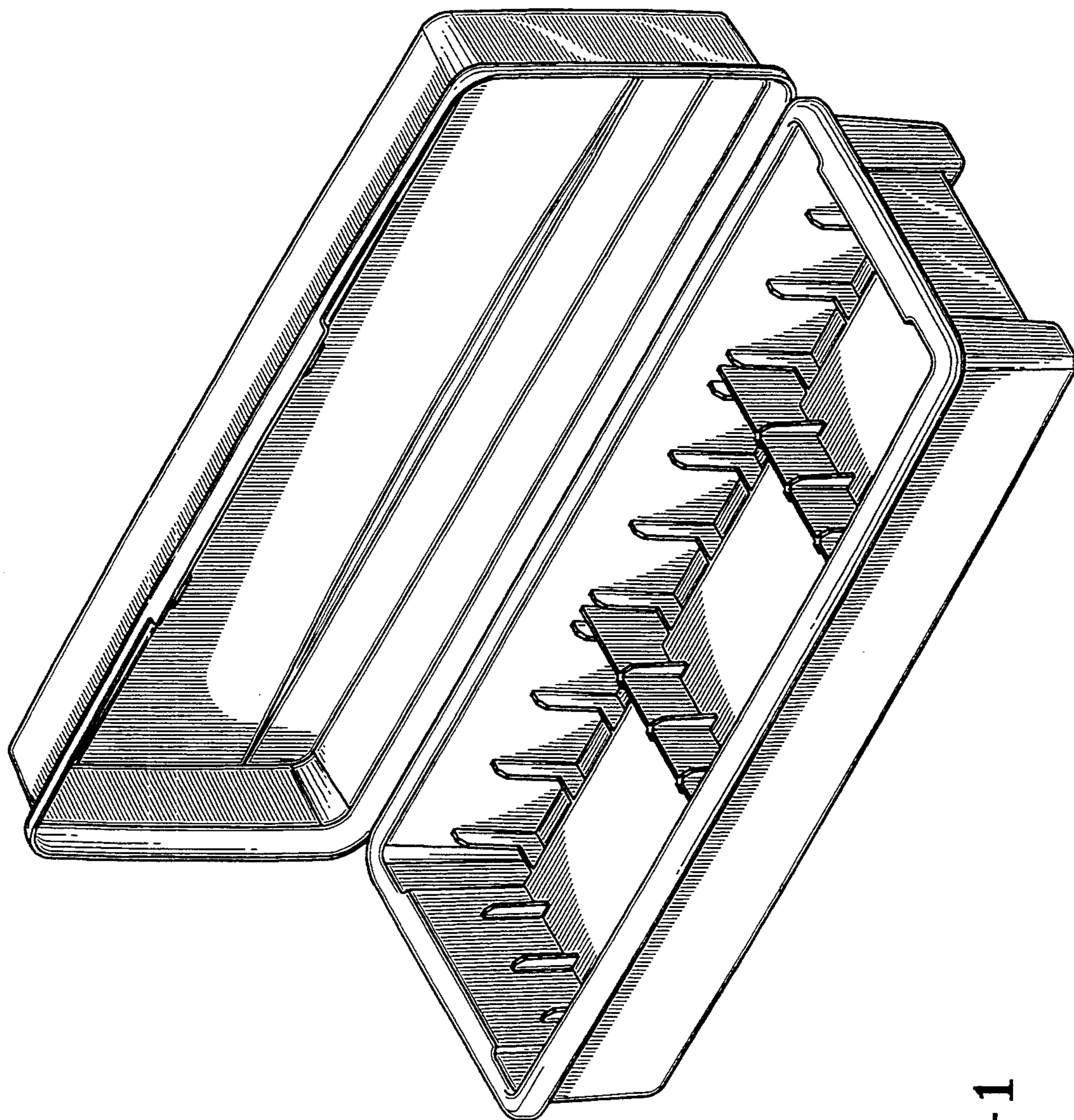


FIG-1

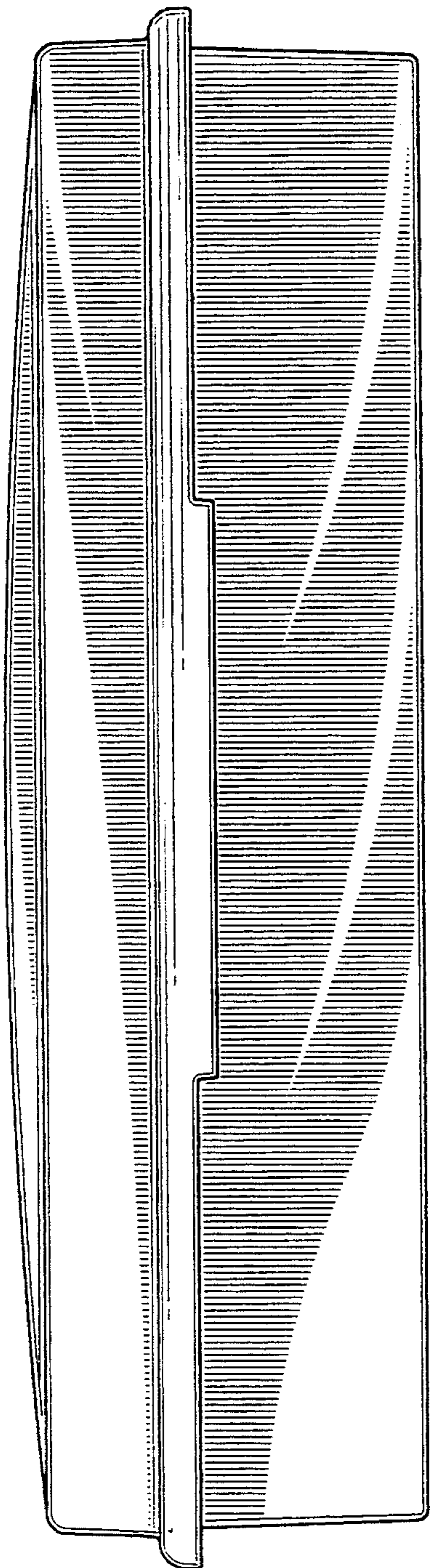


FIG-2

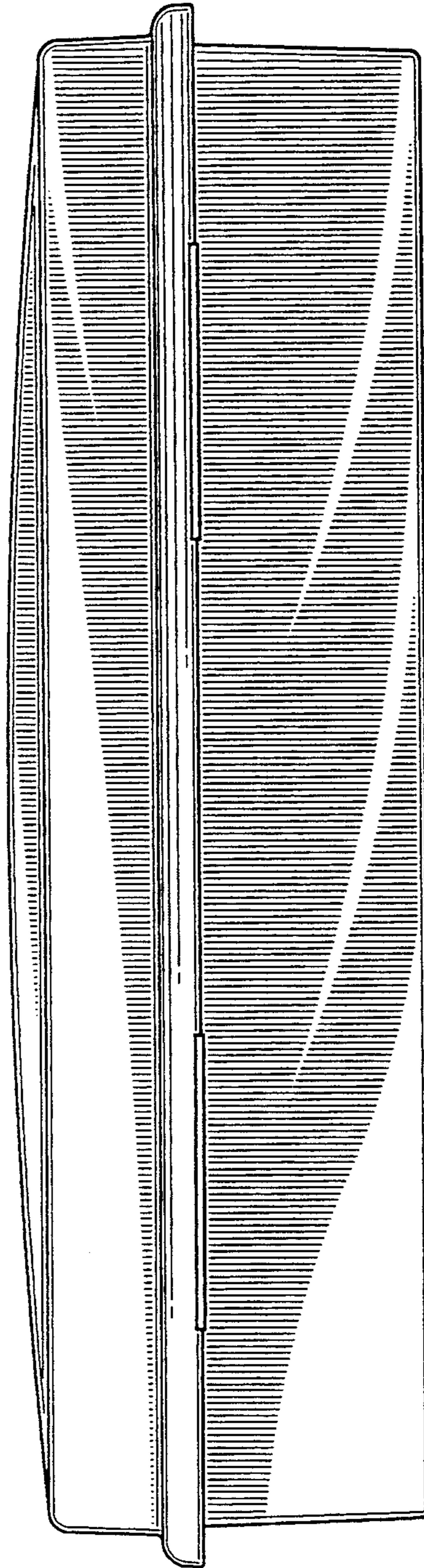


FIG-3

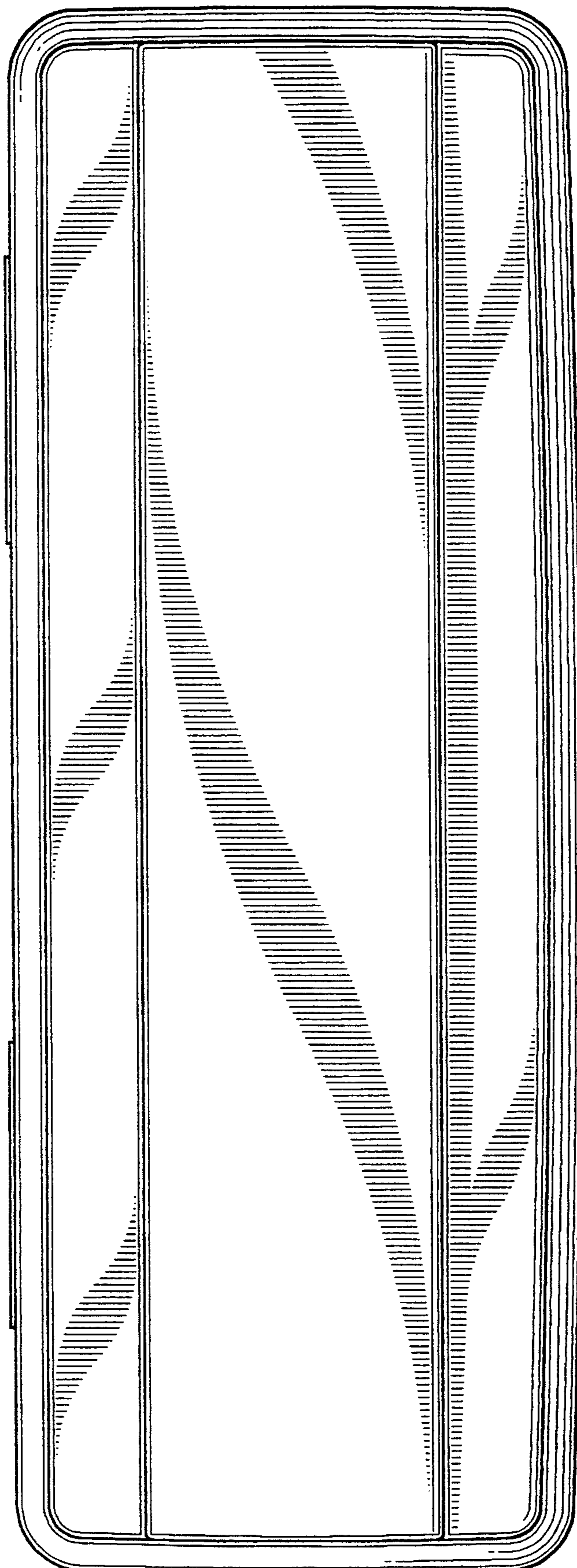


FIG-4

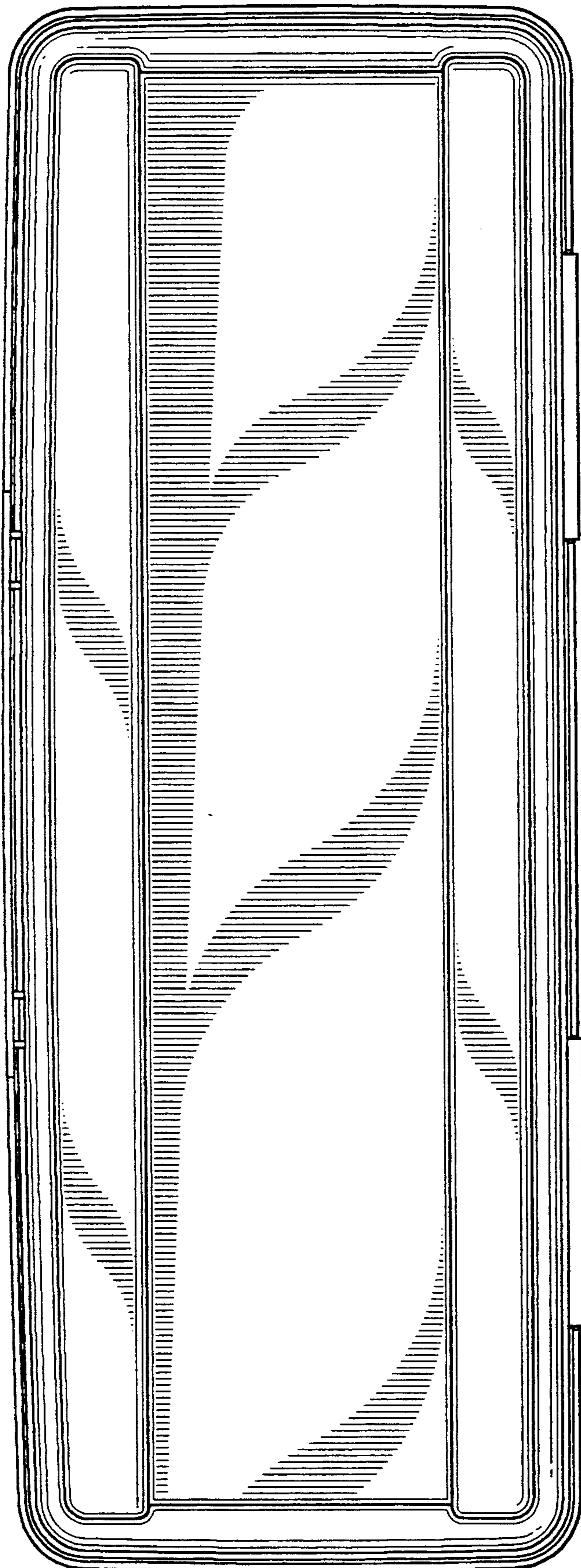


FIG-5

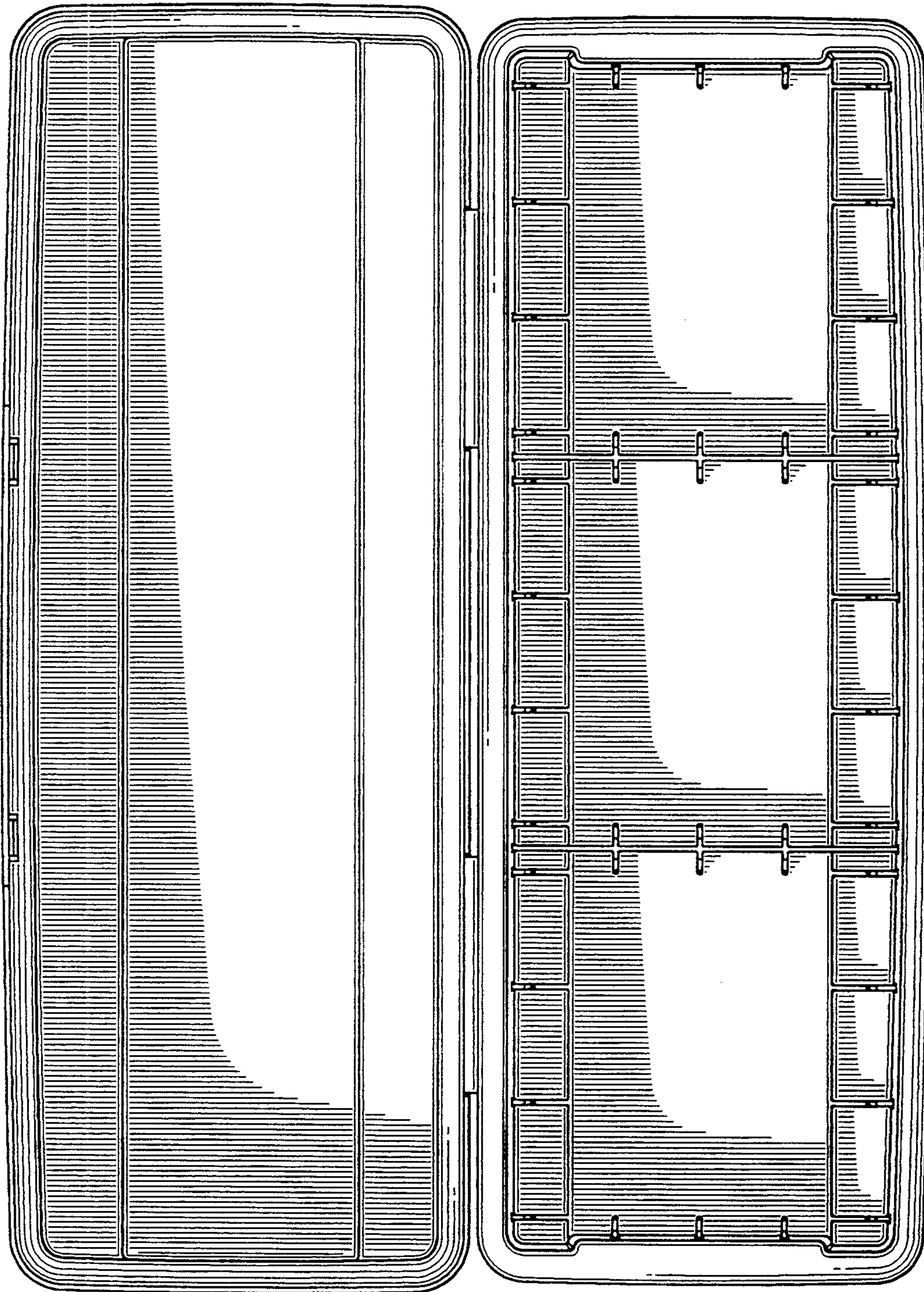


FIG-6

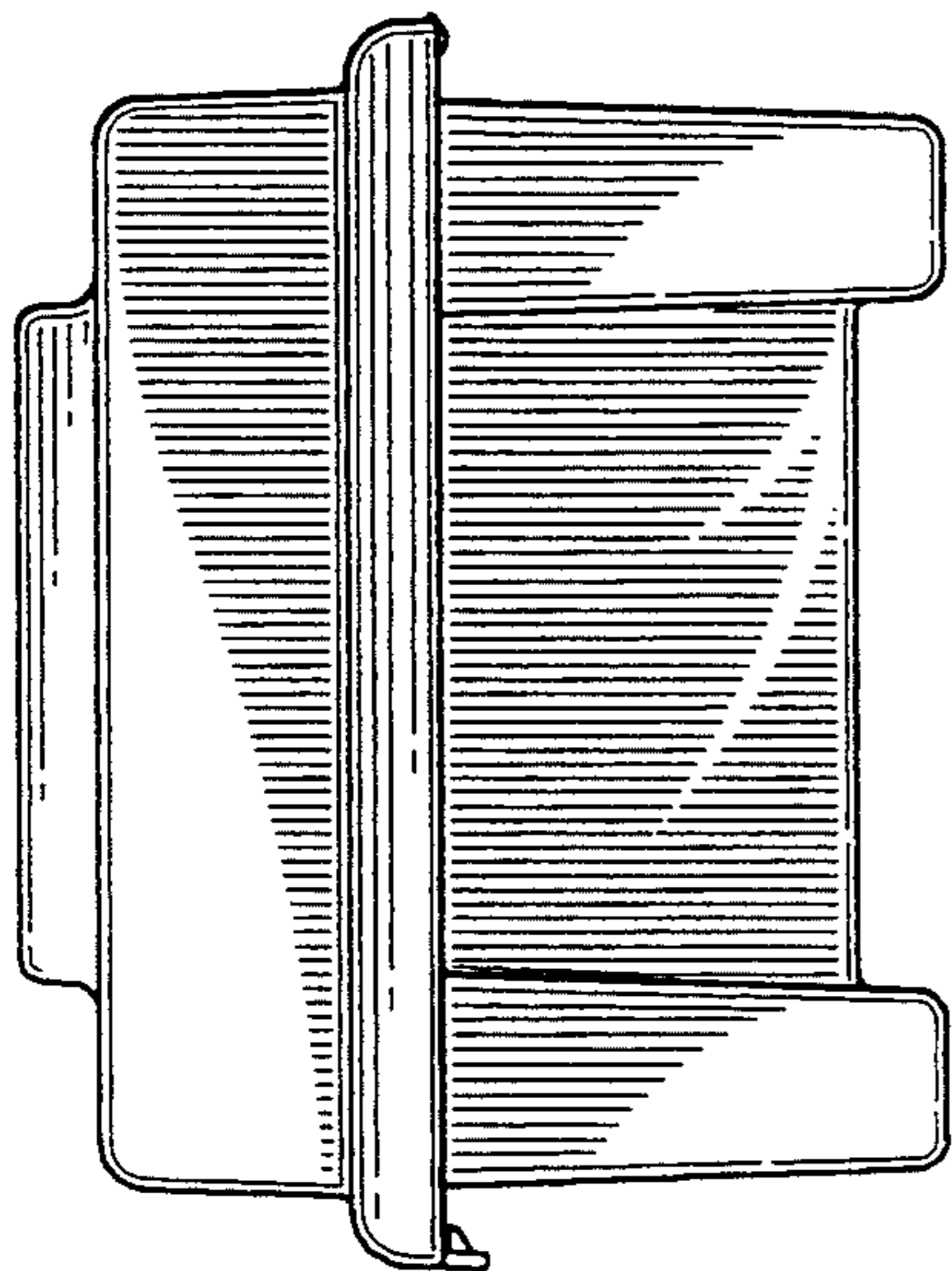


FIG-7

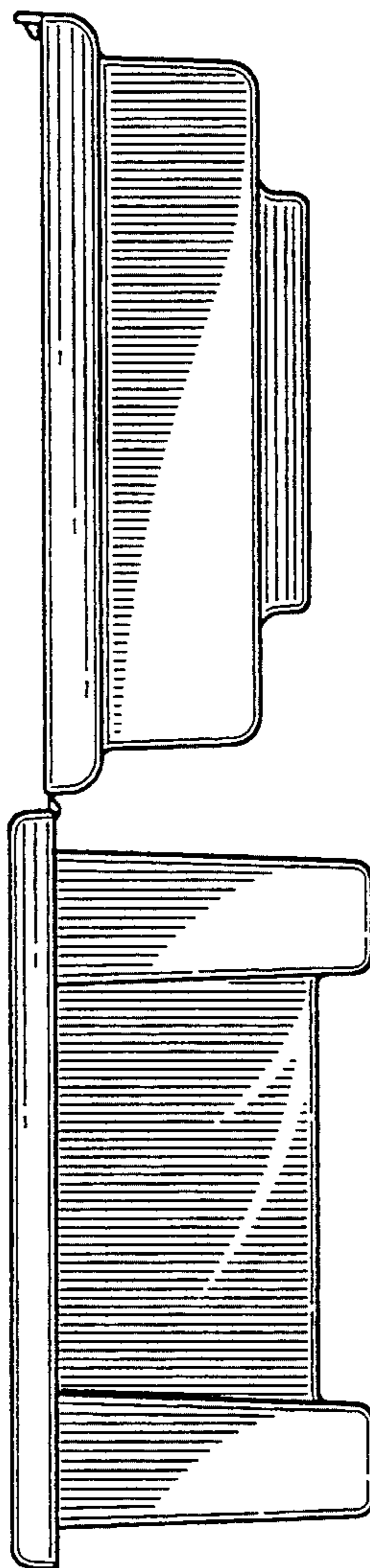


FIG-8