



US00D356460S

United States Patent [19]

[11] Patent Number: Des. 356,460

Vogels

[45] Date of Patent: ** Mar. 21, 1995

[54] **SUPPORT FOR AN APPLIANCE**

[75] Inventor: **Henricus H. Vogels**, Eindhoven, Netherlands

[73] Assignee: **Vogel's Holding B.V.**, Eindhoven, Netherlands

[**] Term: **14 Years**

[21] Appl. No.: **11,954**

[22] Filed: **Aug. 18, 1993**

Related U.S. Application Data

[63] Continuation-in-part of Ser. No. 9,837, Jun. 22, 1993, Pat. No. Des. 350,664.

[30] **Foreign Application Priority Data**

May 10, 1993 [XH] Hague Agreement DMA/002146

[52] U.S. Cl. **D8/363**

[58] Field of Search **D6/567, 553, 574; D8/349, 354-355, 363, 380-381; 248/670, 220.2, 235, 241, 274, 284, 281.1, 291, 310; 211/96, 100**

[56] **References Cited**

U.S. PATENT DOCUMENTS

D. 320,928	10/1991	Boscacci et al.	D8/363
D. 337,719	7/1993	Burns	D8/363
3,774,873	11/1973	Krogsrud	248/281.1 X
4,659,047	4/1987	Haller	248/310 X

Primary Examiner—Brian N. Vinson
Attorney, Agent, or Firm—Ladas & Parry

[57] **CLAIM**

The ornamental design for a support for an appliance, as shown.

DESCRIPTION

FIG. 1 is a bottom, front, and right side perspective view of a support for an appliance showing my new design;

FIG. 2 is a front elevational view thereof;

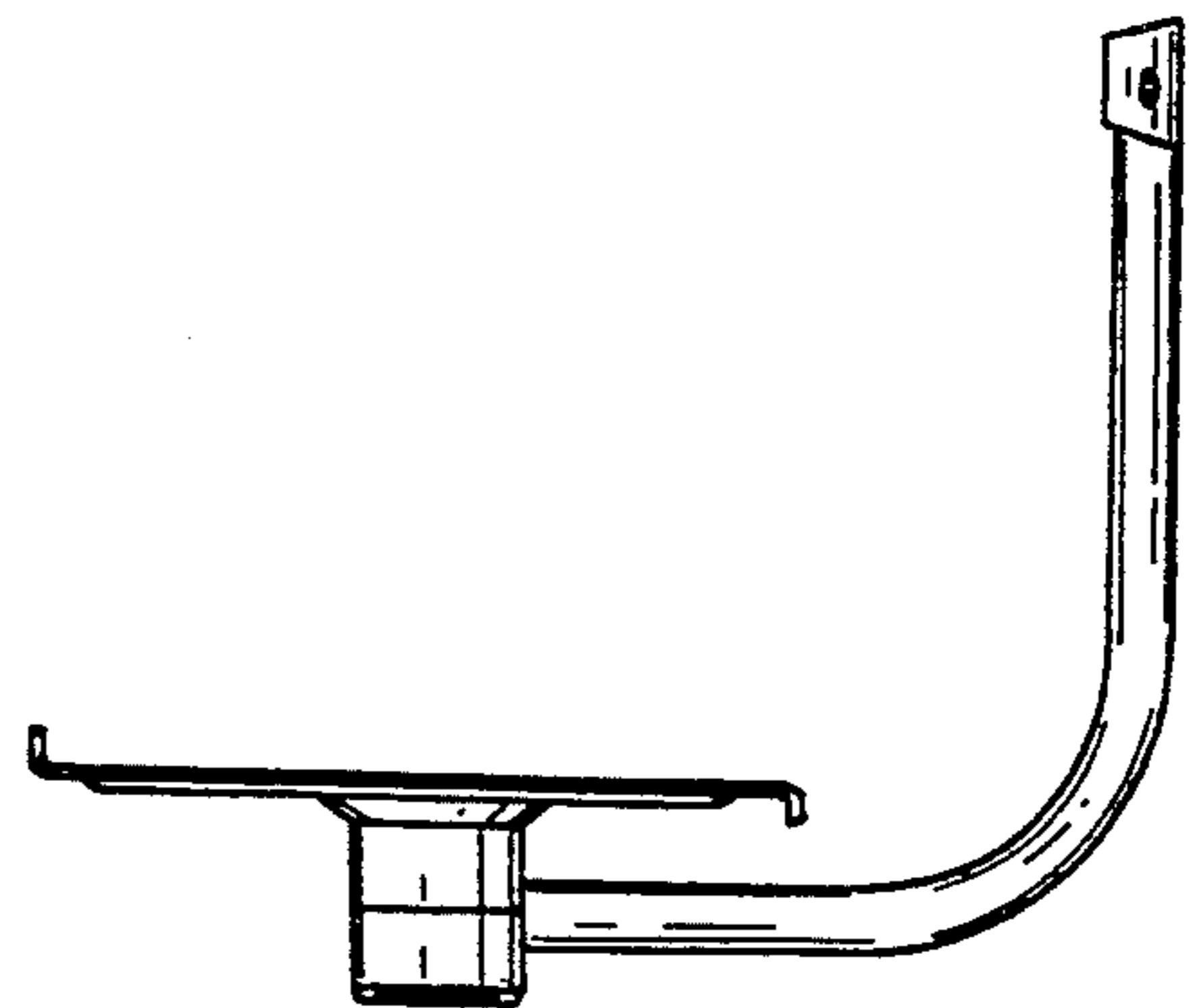
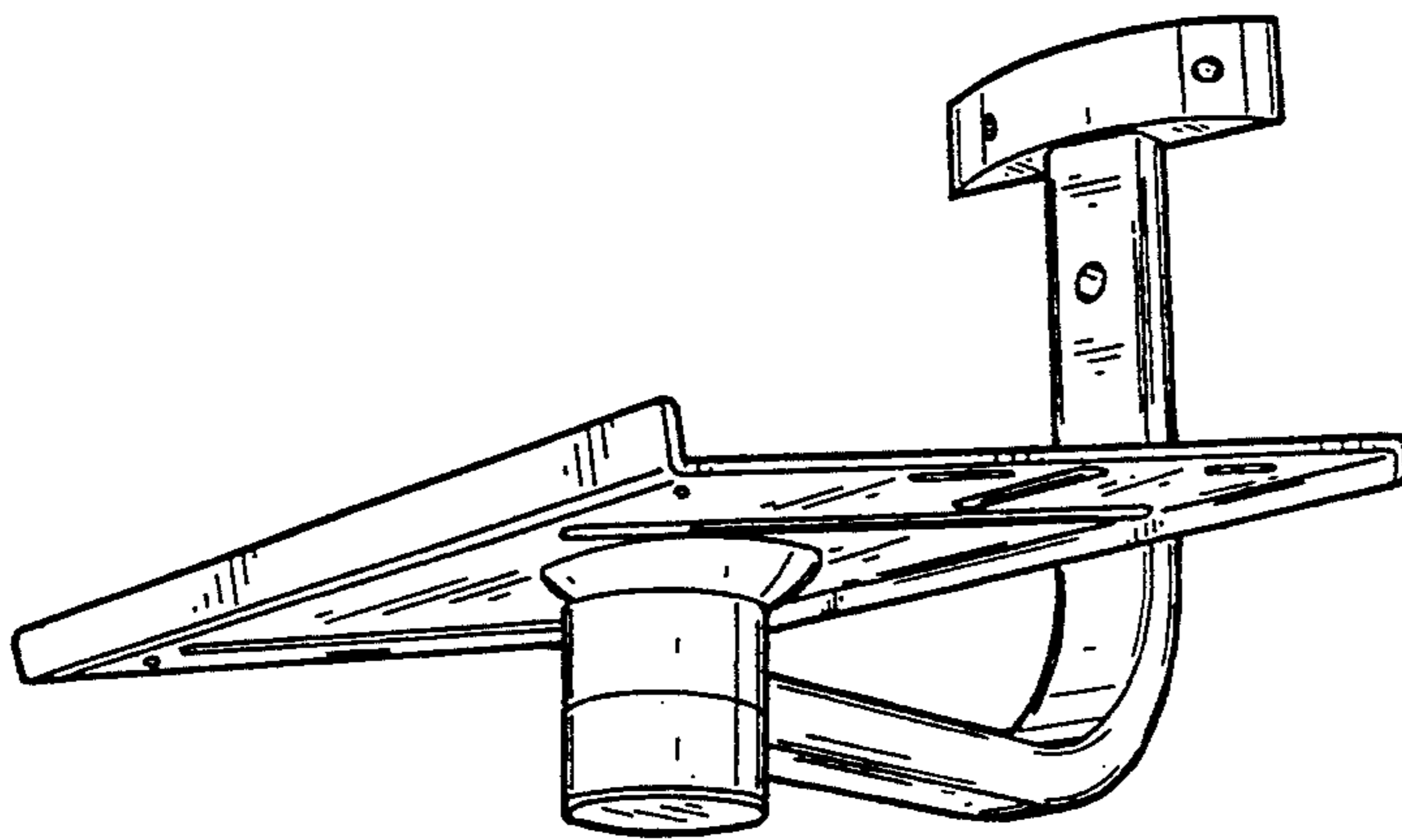
FIG. 3 is a rear elevational view thereof;

FIG. 4 is a left side elevational view thereof;

FIG. 5 is a right side elevational view thereof;

FIG. 6 is a top plan view thereof; and,

FIG. 7 is a bottom plan view thereof.



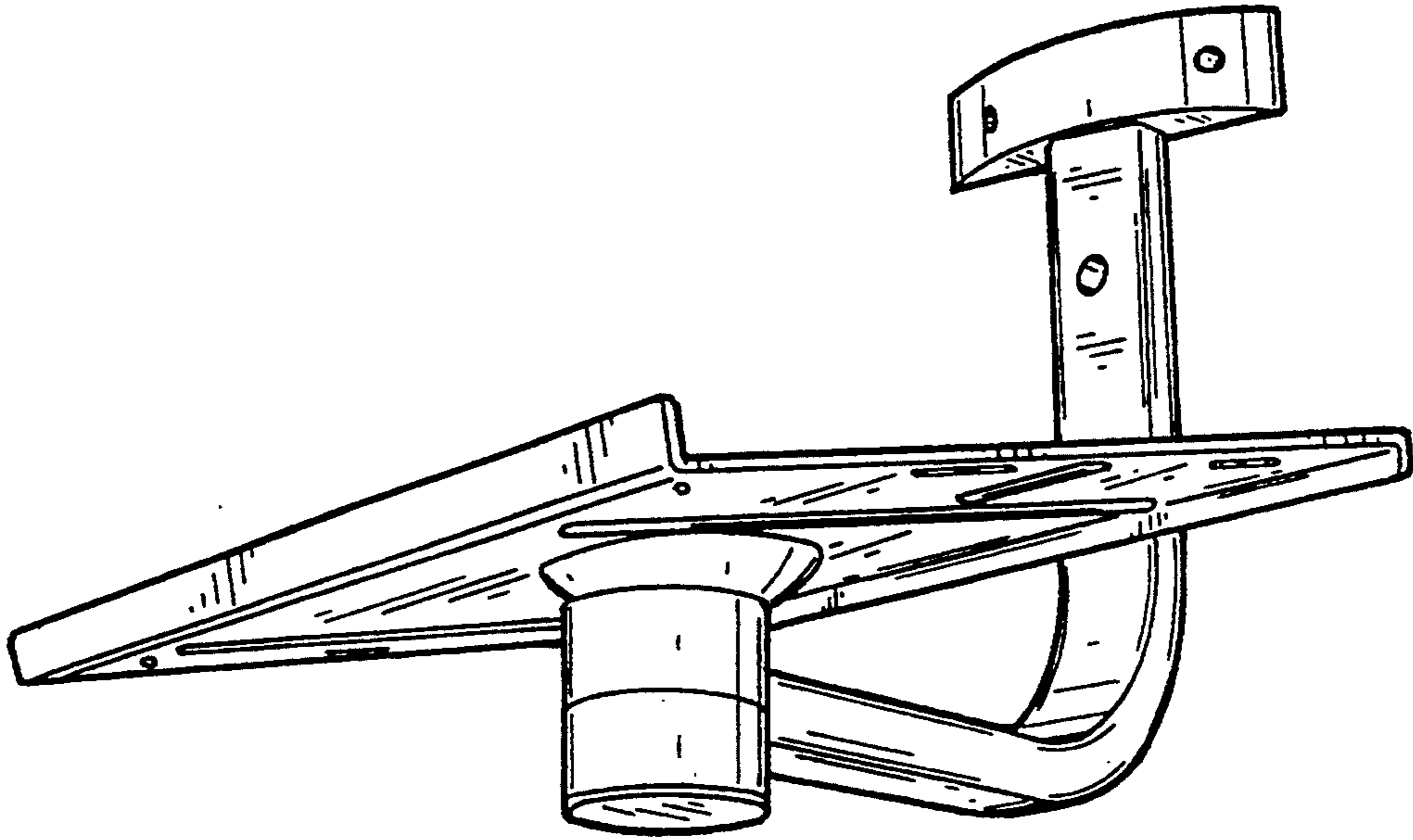


FIG. 1

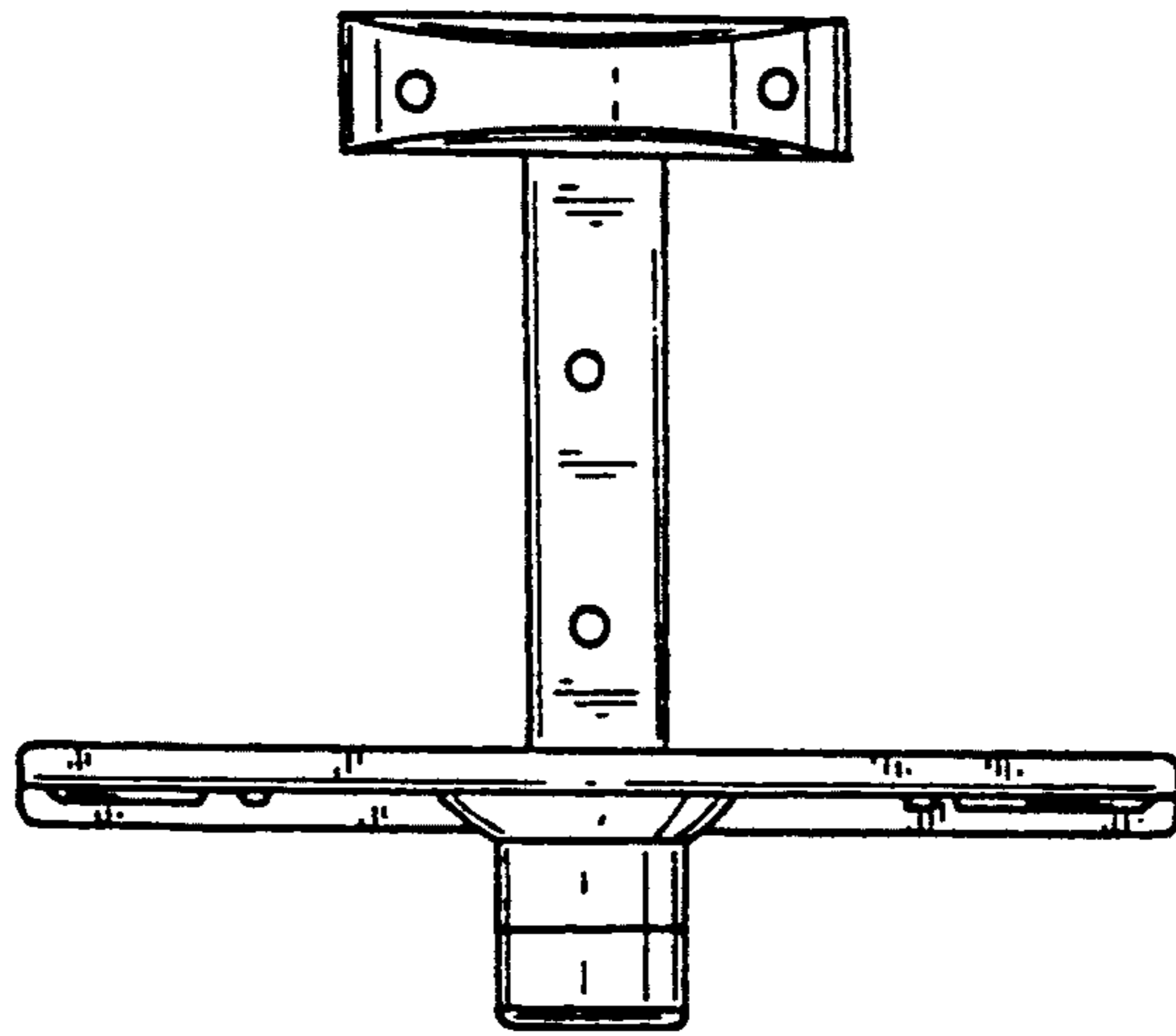


FIG. 2

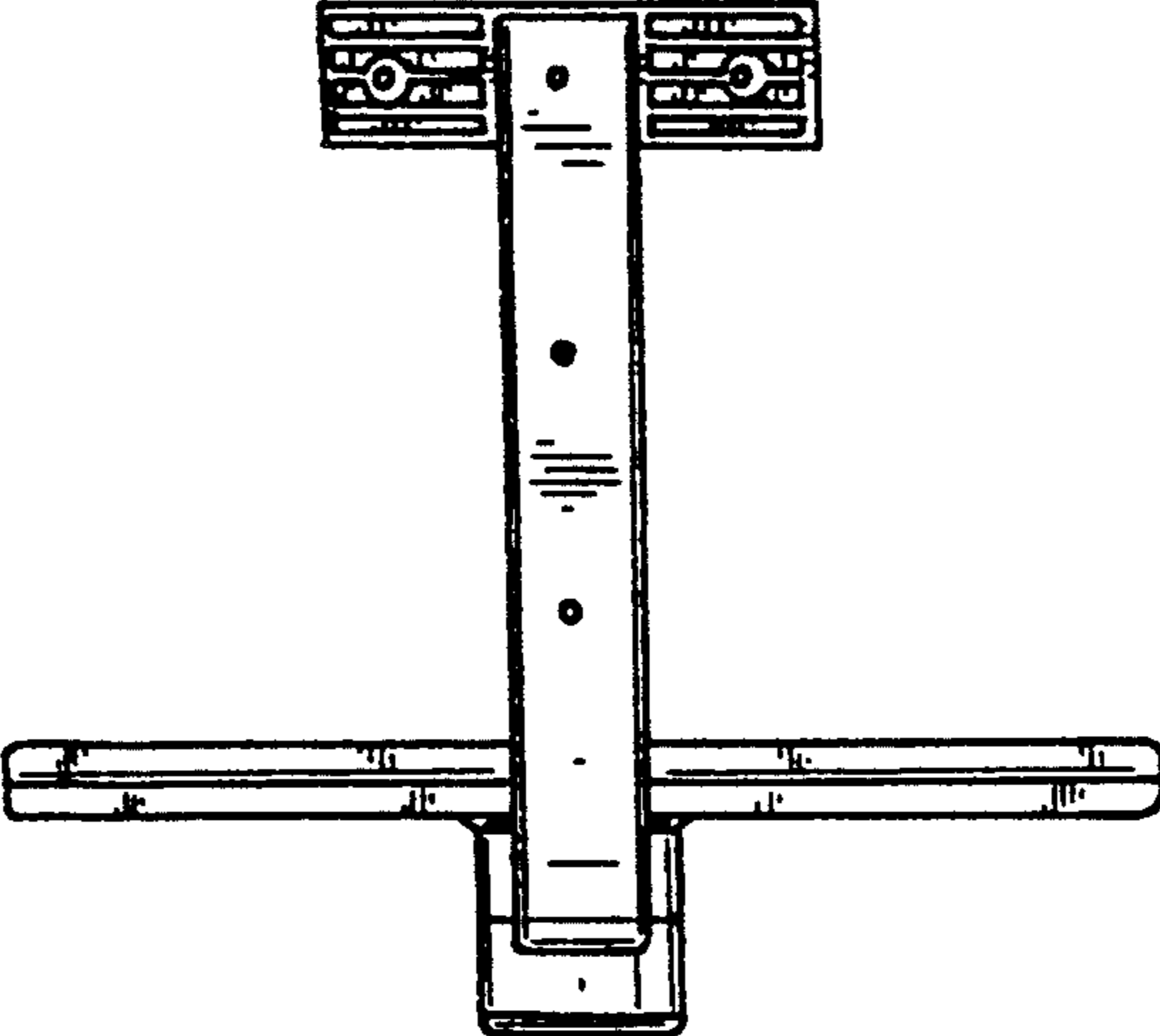


FIG. 3

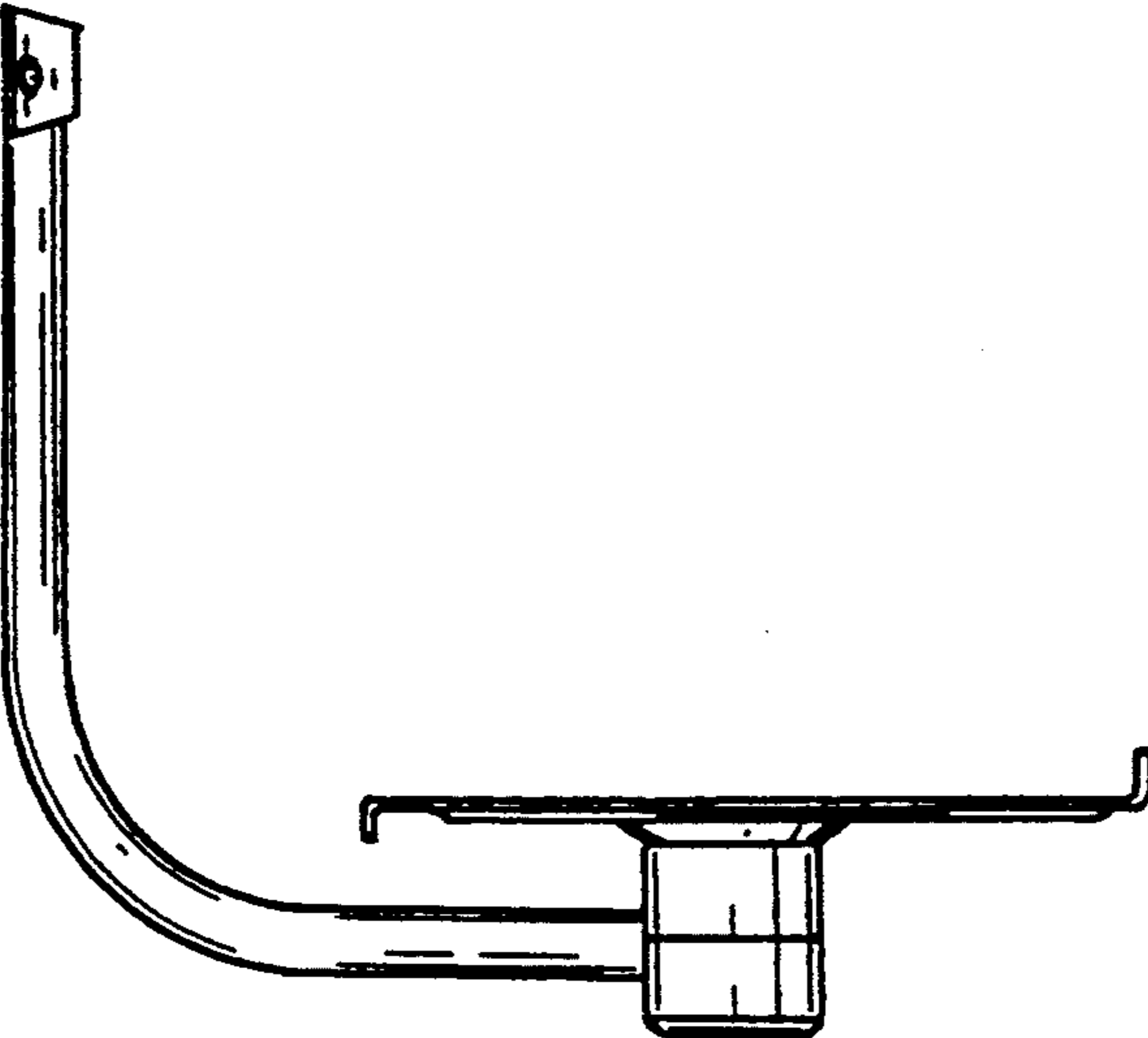


FIG. 4

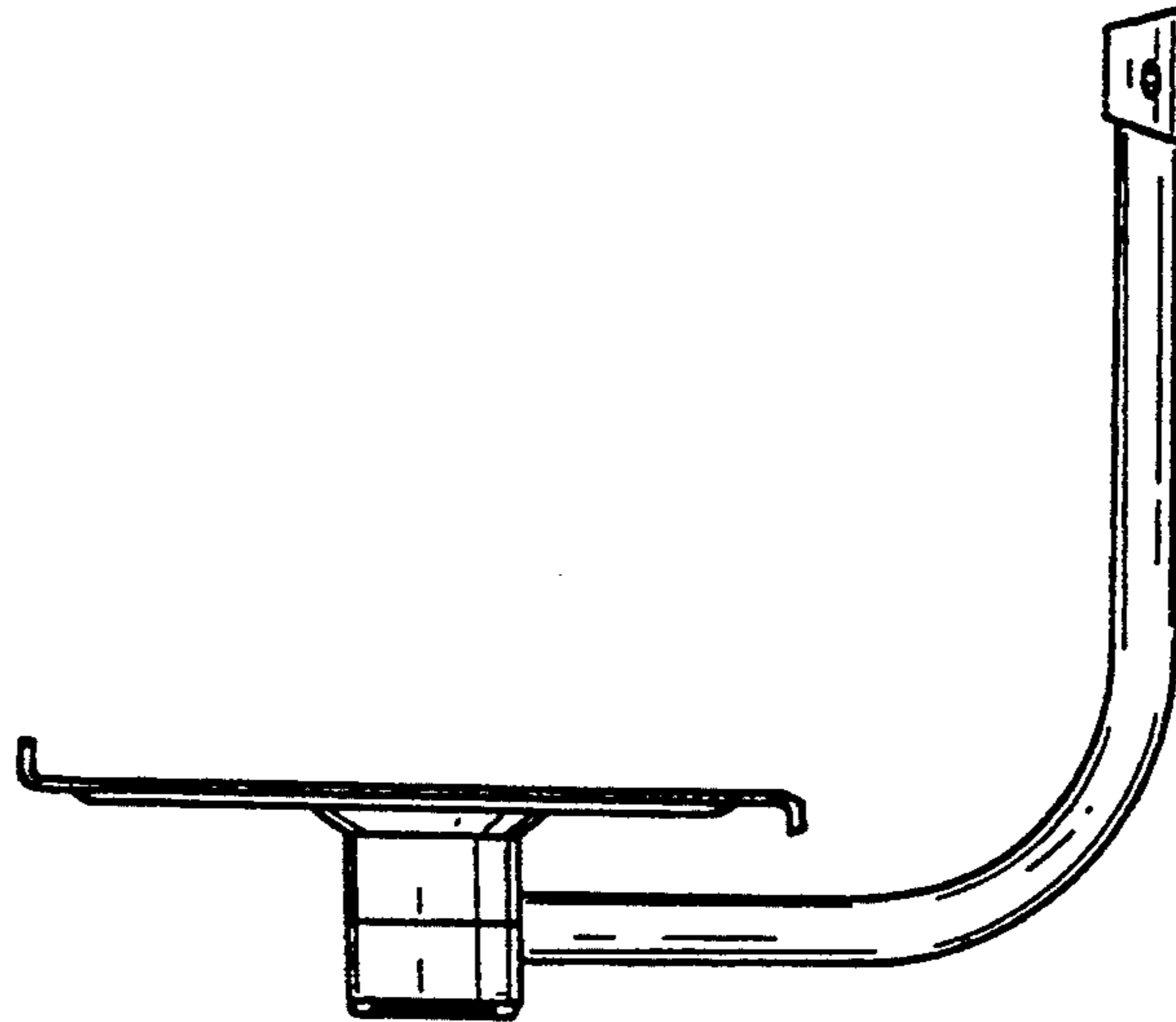


FIG. 5

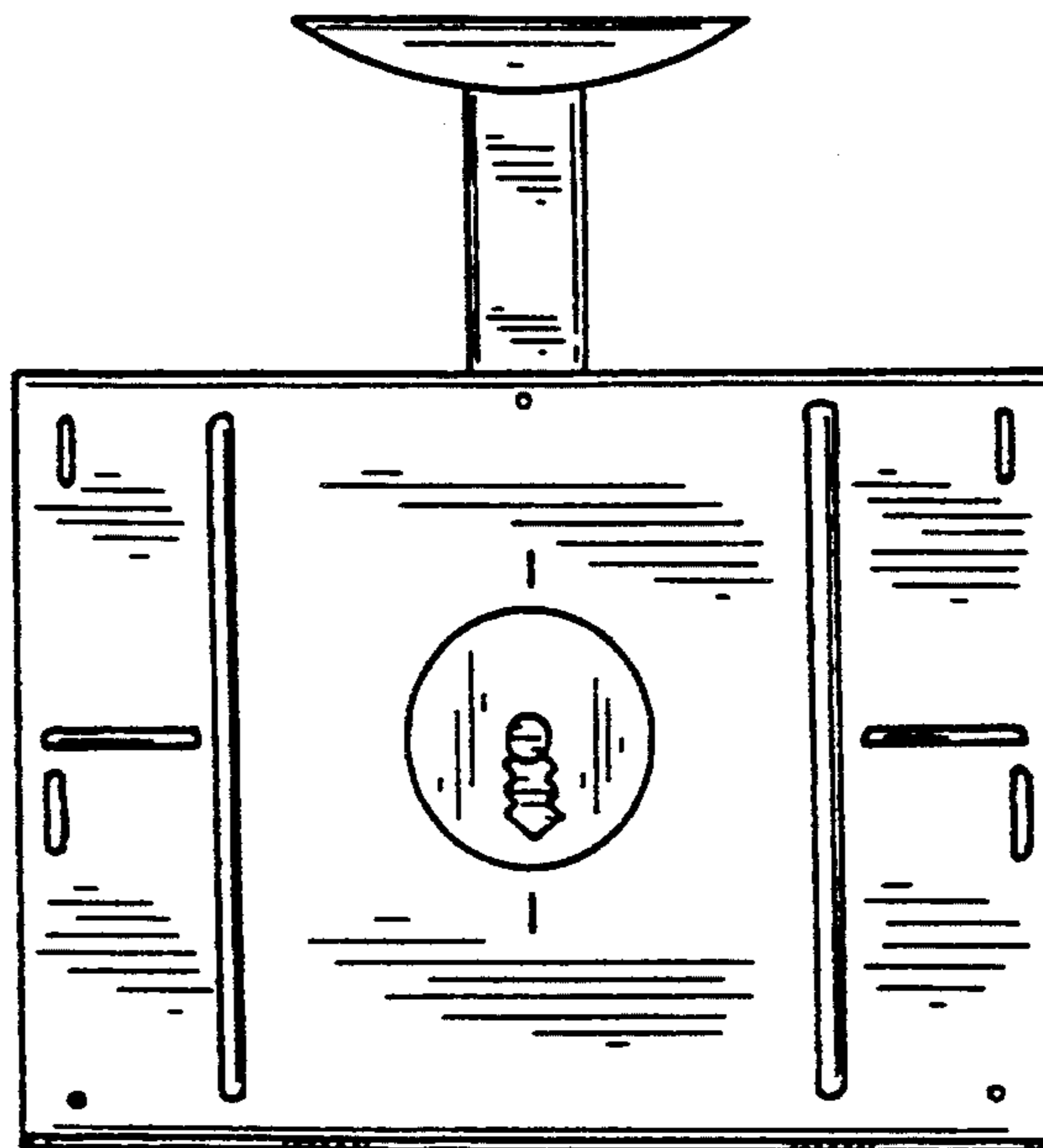


FIG. 6

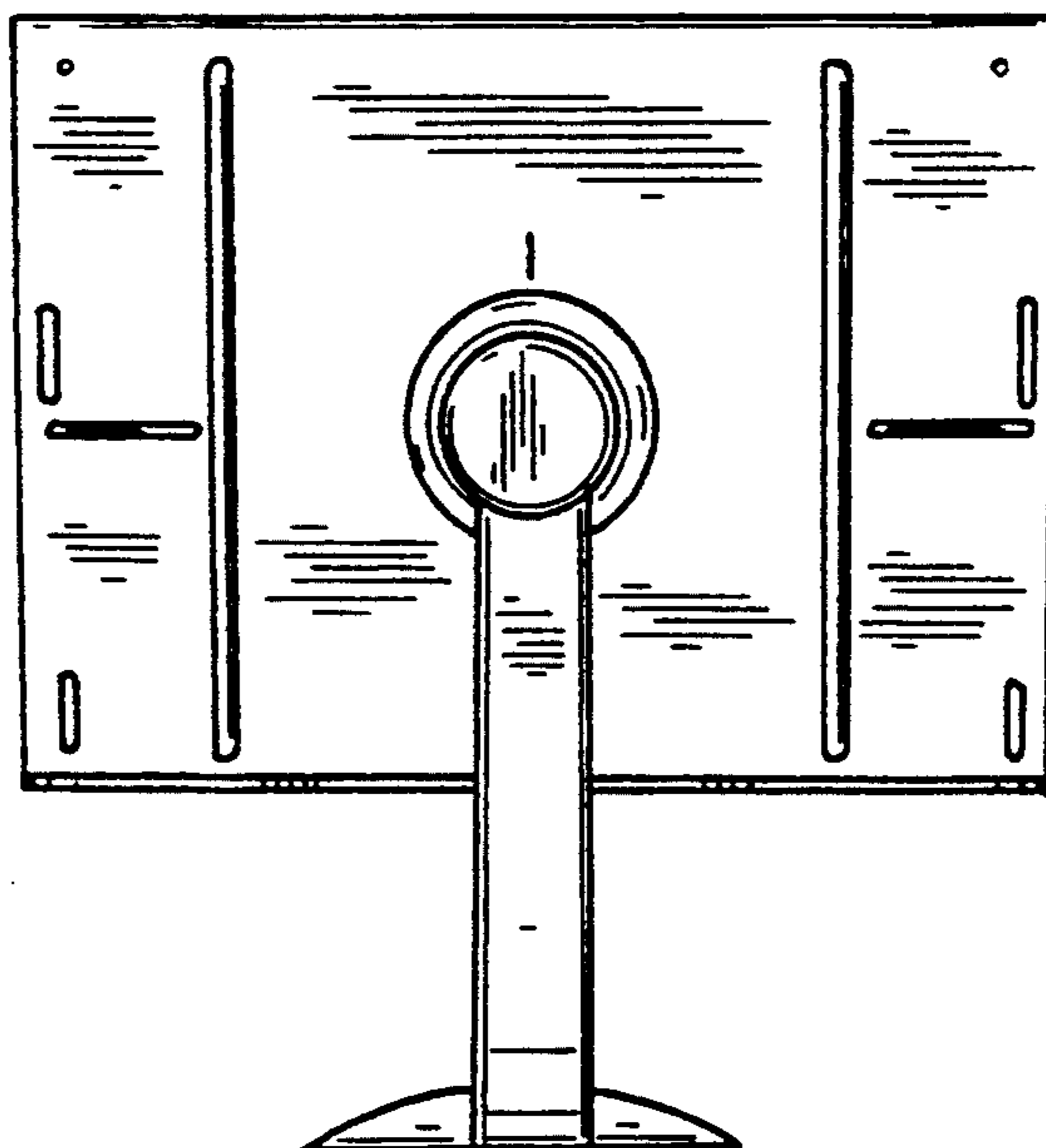


FIG. 7