



US00D356453S

United States Patent [19]

[11] Patent Number: **Des. 356,453**

Fossier

[45] Date of Patent: **** Mar. 21, 1995**

[54] **CD DISC DISPLAY HOLDER**

Attorney, Agent, or Firm—Wood, Herron & Evans

[76] Inventor: **David A. Fossier**, 325 Fieldcrest La.,
Loveland, Ohio 45140

[57] **CLAIM**

The ornamental design for a CD disc display holder, as shown and described.

[**] Term: **14 Years**

DESCRIPTION

[21] Appl. No.: **924,153**

FIG. 1 is a perspective view of a CD disc display holder embodying my new design;

[22] Filed: **Aug. 3, 1992**

FIG. 2 is a front elevational view thereof, the rear elevational view being a mirror image thereof;

[52] U.S. Cl. **D6/407**

FIG. 3 is a side elevational view of one side thereof, the opposite side being a mirror image thereof;

[58] Field of Search D6/396, 405, 406, 407,
D6/465, 466, 467, 468, 626-635; D19/75, 20,
83, 21, 86, 22, 91, 23, 26, 27; D14/121; 211/40,
41, 42; 206/387; D3/227, 247, 303; 283/2;
40/107-120

FIG. 4 is a top plan view thereof;

FIG. 5 is a bottom plan view thereof;

FIG. 6 is a perspective view of a second alternative embodiment thereof.

[56] **References Cited**

U.S. PATENT DOCUMENTS

D. 209,035	10/1967	Robert	D3/227	X
D. 248,964	8/1978	Kizlauskas	D19/26	X
D. 280,423	9/1985	Burton et al.	D19/75	
D. 299,888	2/1989	Maxwell	D3/303	X
D. 316,180	4/1991	Hines	D6/629	
D. 317,464	6/1991	Goodman et al.	D19/27	X
3,363,346	1/1968	Wittboldt	283/85	

FIG. 7 is a front elevational view of the embodiment illustrated in FIG. 6;

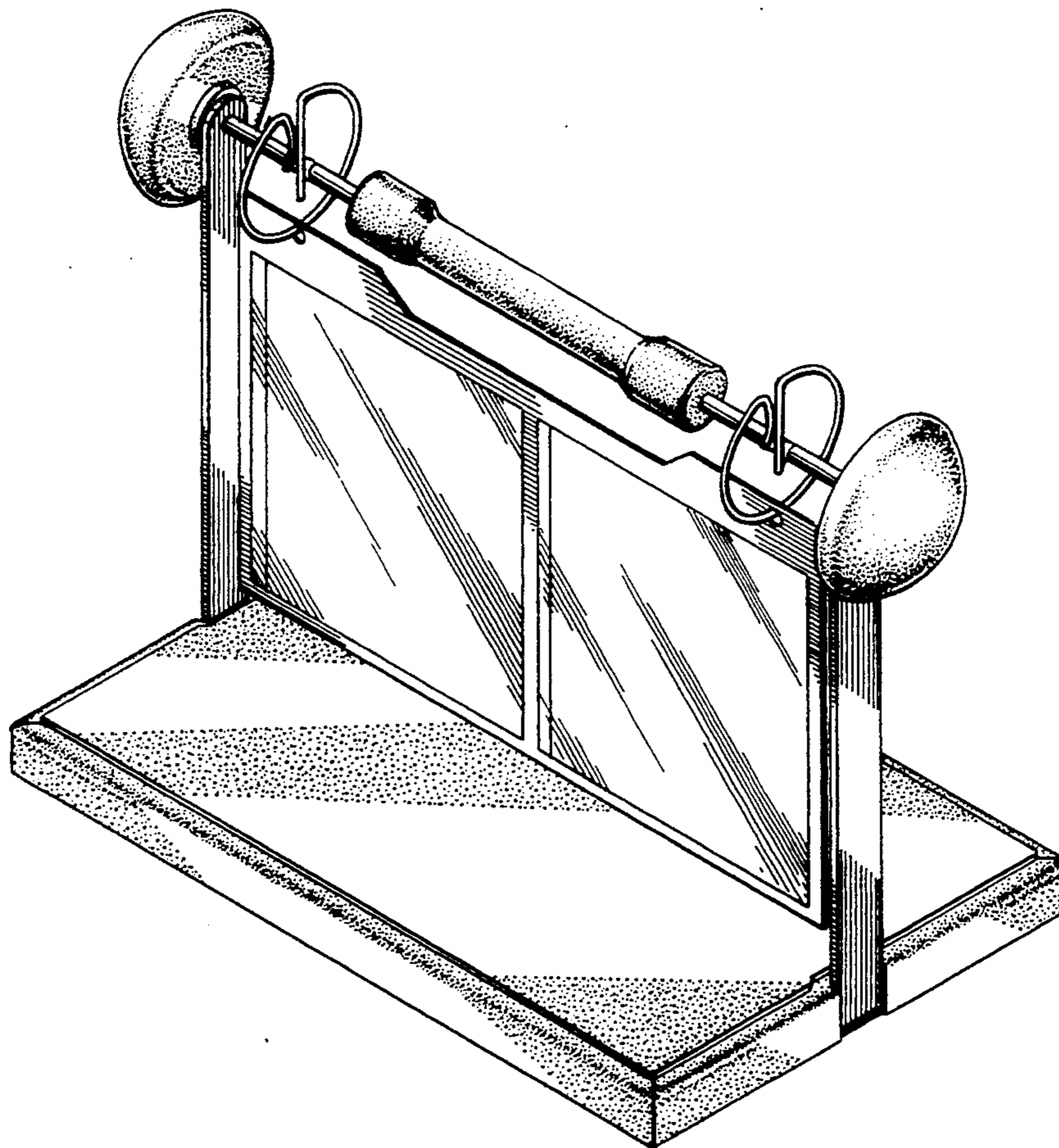
FIG. 8 is a rear elevational view of the embodiment of FIG. 6;

FIG. 9 is a side elevational view of the embodiment of FIG. 6, the opposite side being a mirror image thereof; and,

FIG. 10 is a top plan view of the embodiment of FIG. 6.

Primary Examiner—Alan P. Douglas
Assistant Examiner—S. Snapp

The bottom plan view of the embodiment of FIG. 6 is identical to the bottom plan view illustrated in FIG. 5.



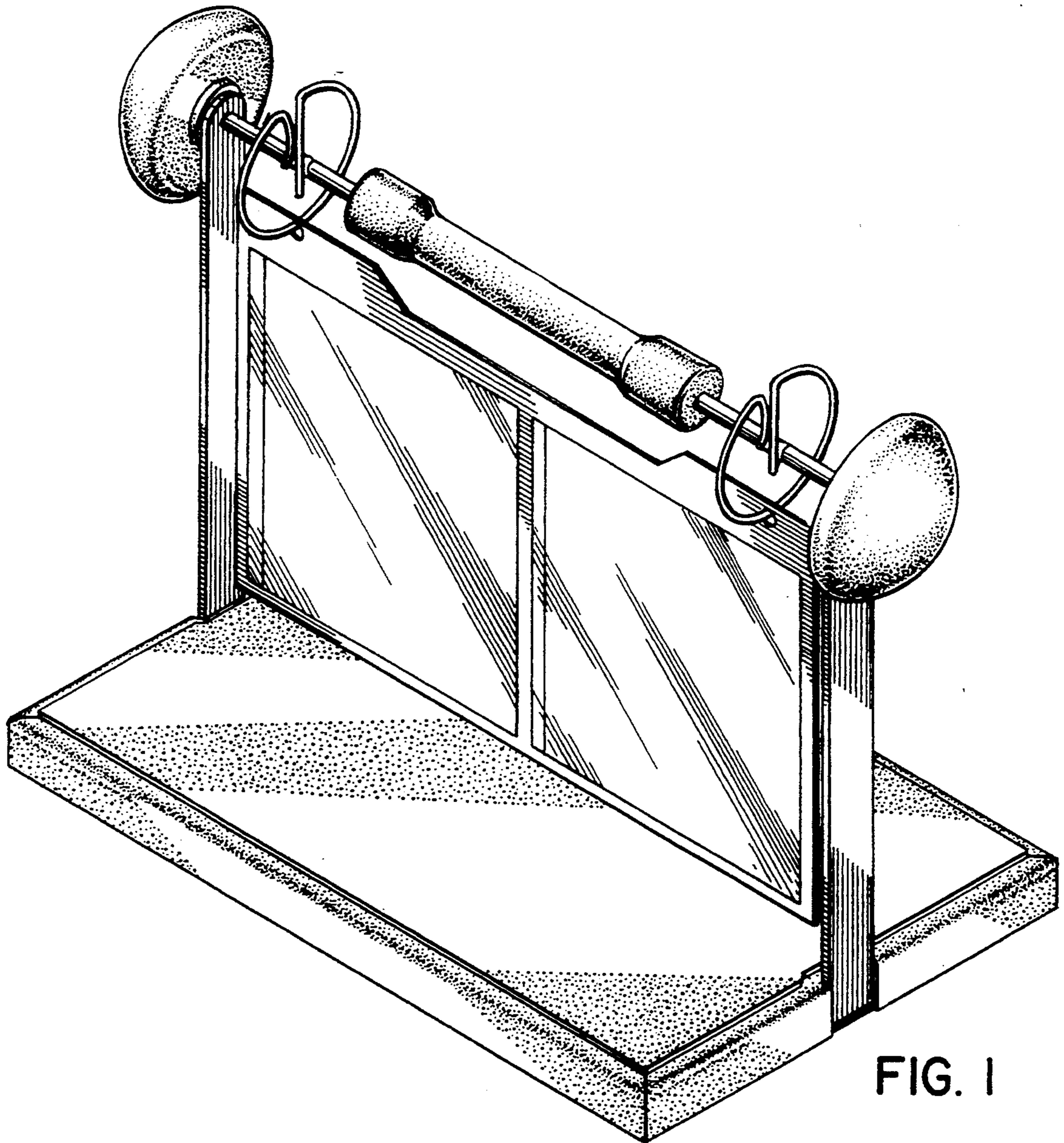


FIG. 1

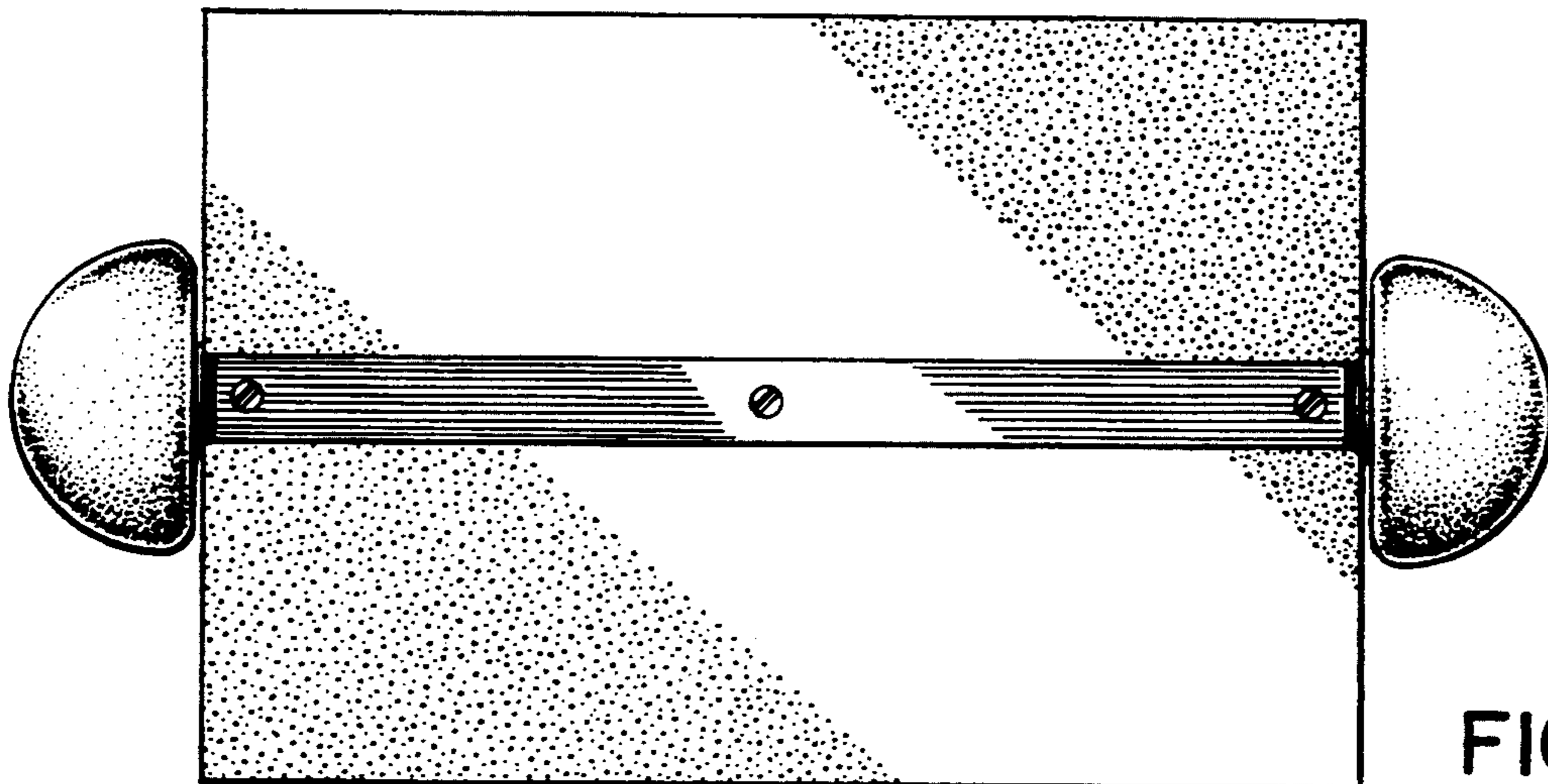


FIG. 5

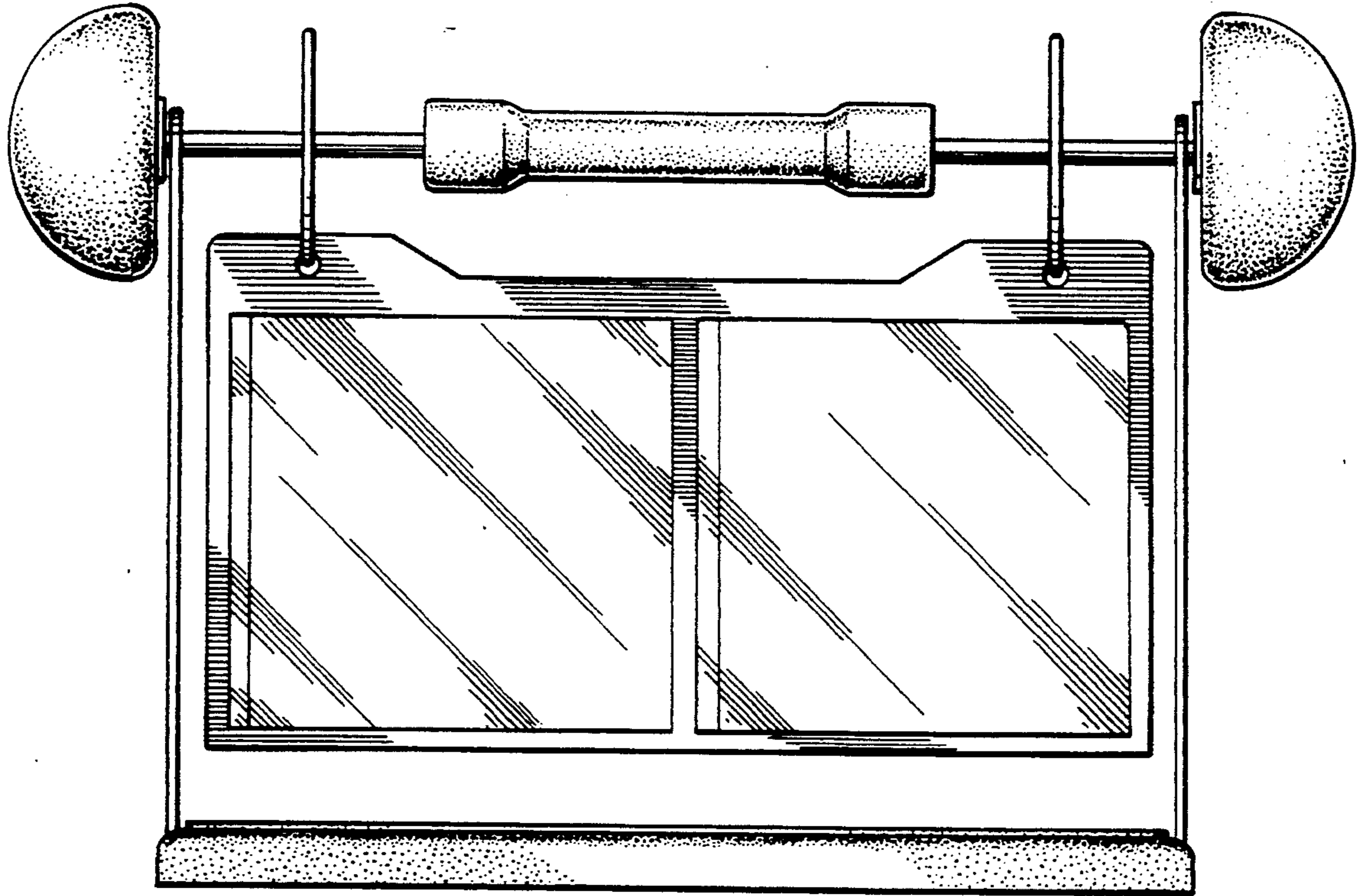


FIG. 2

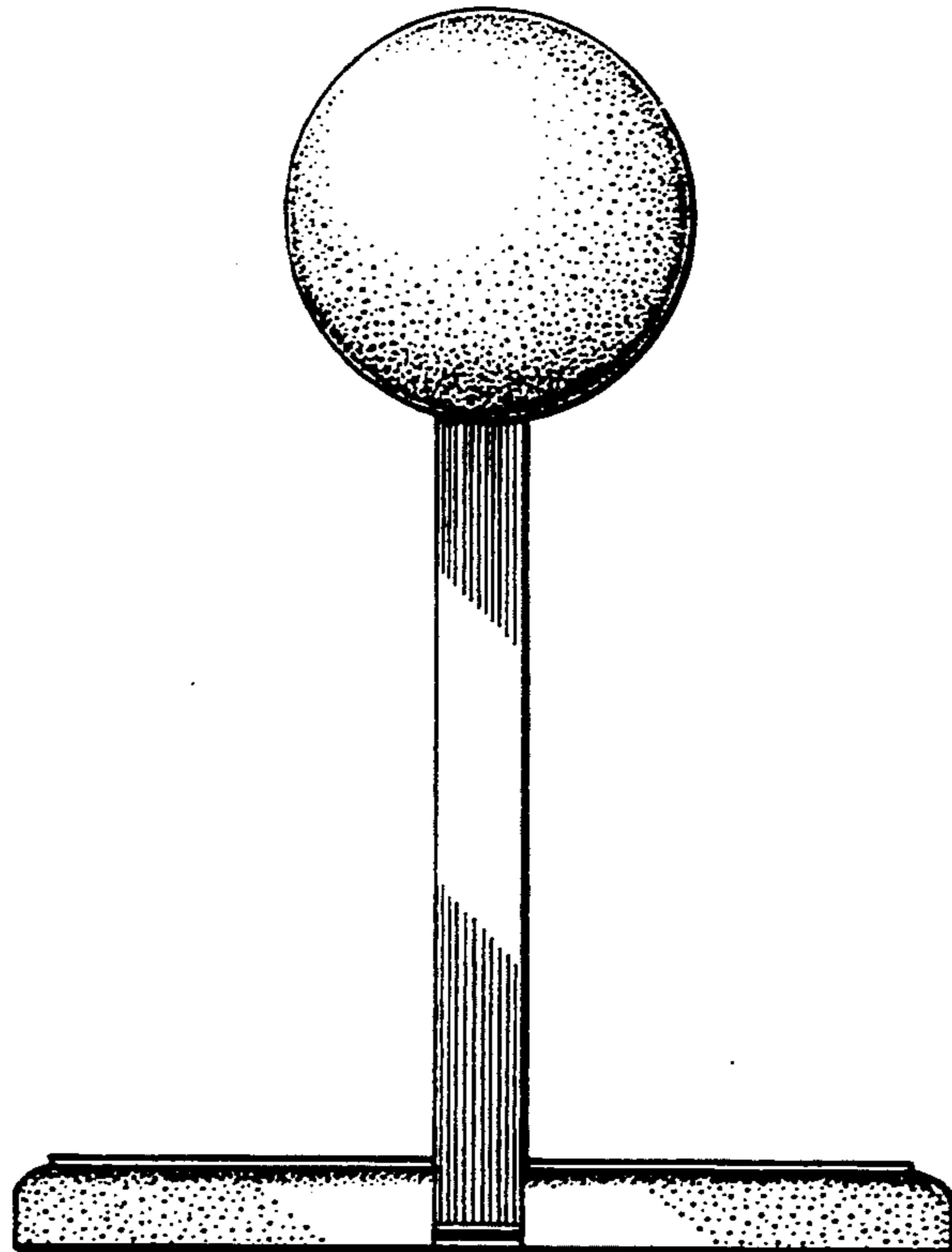


FIG. 3

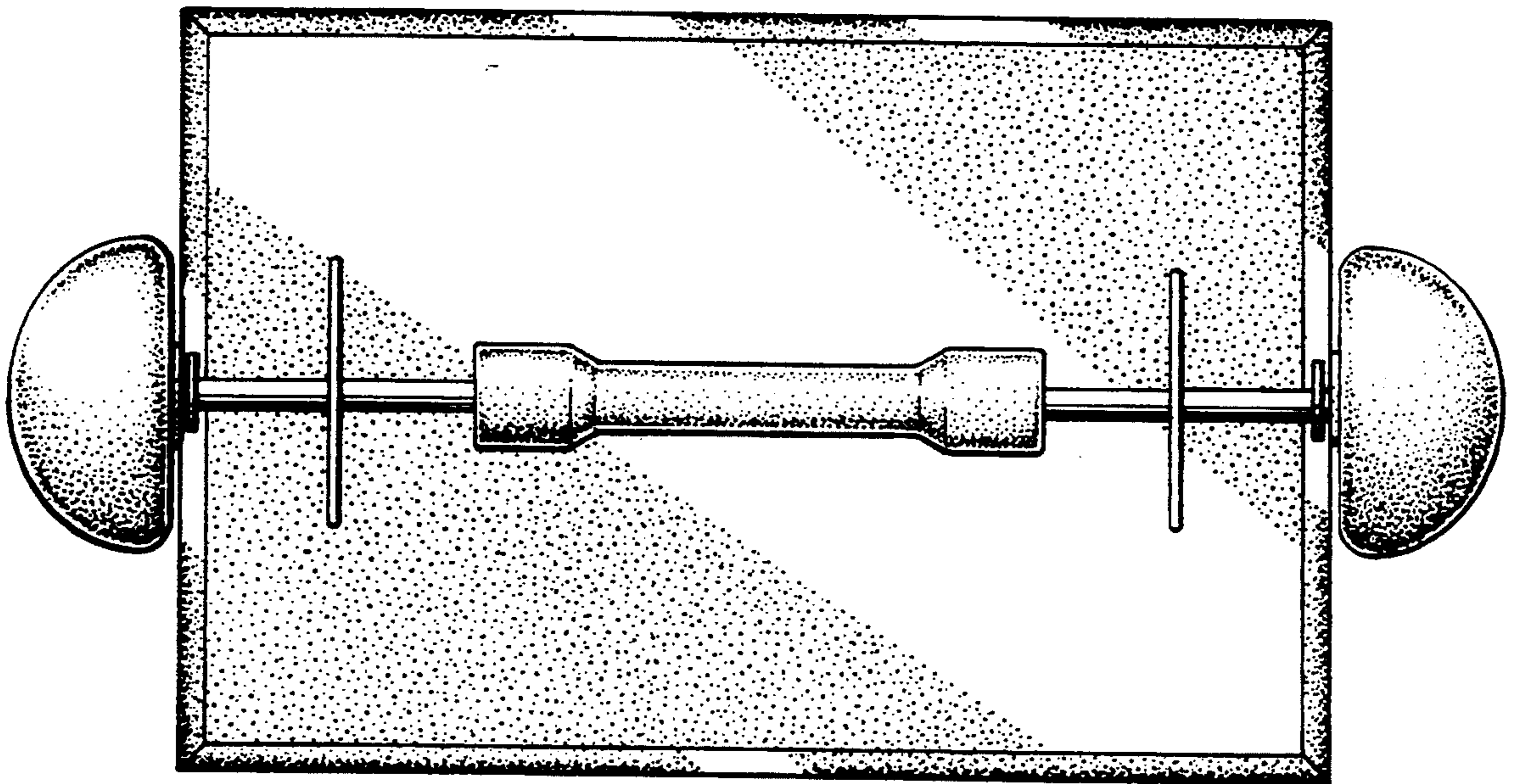


FIG. 4

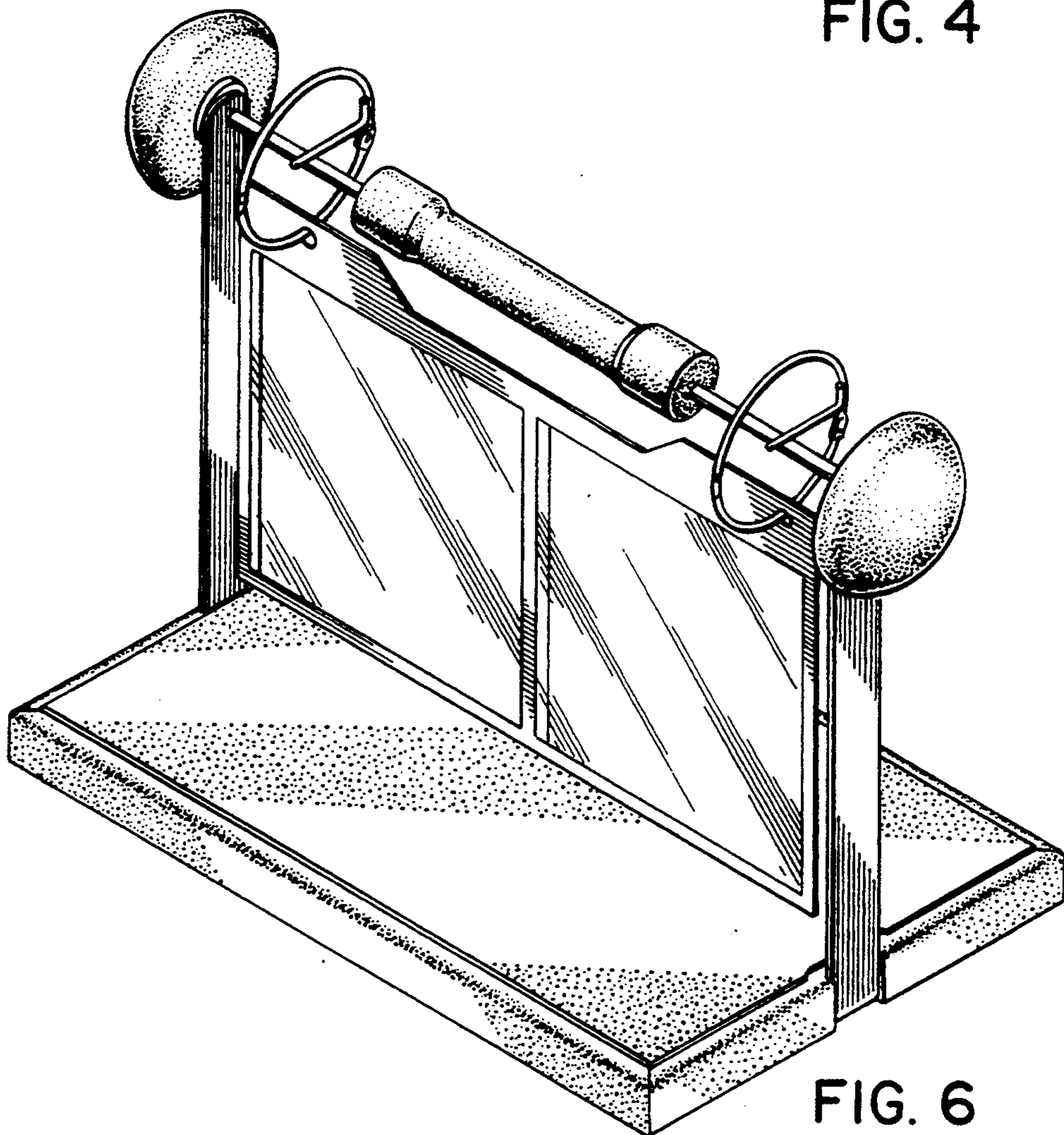


FIG. 6

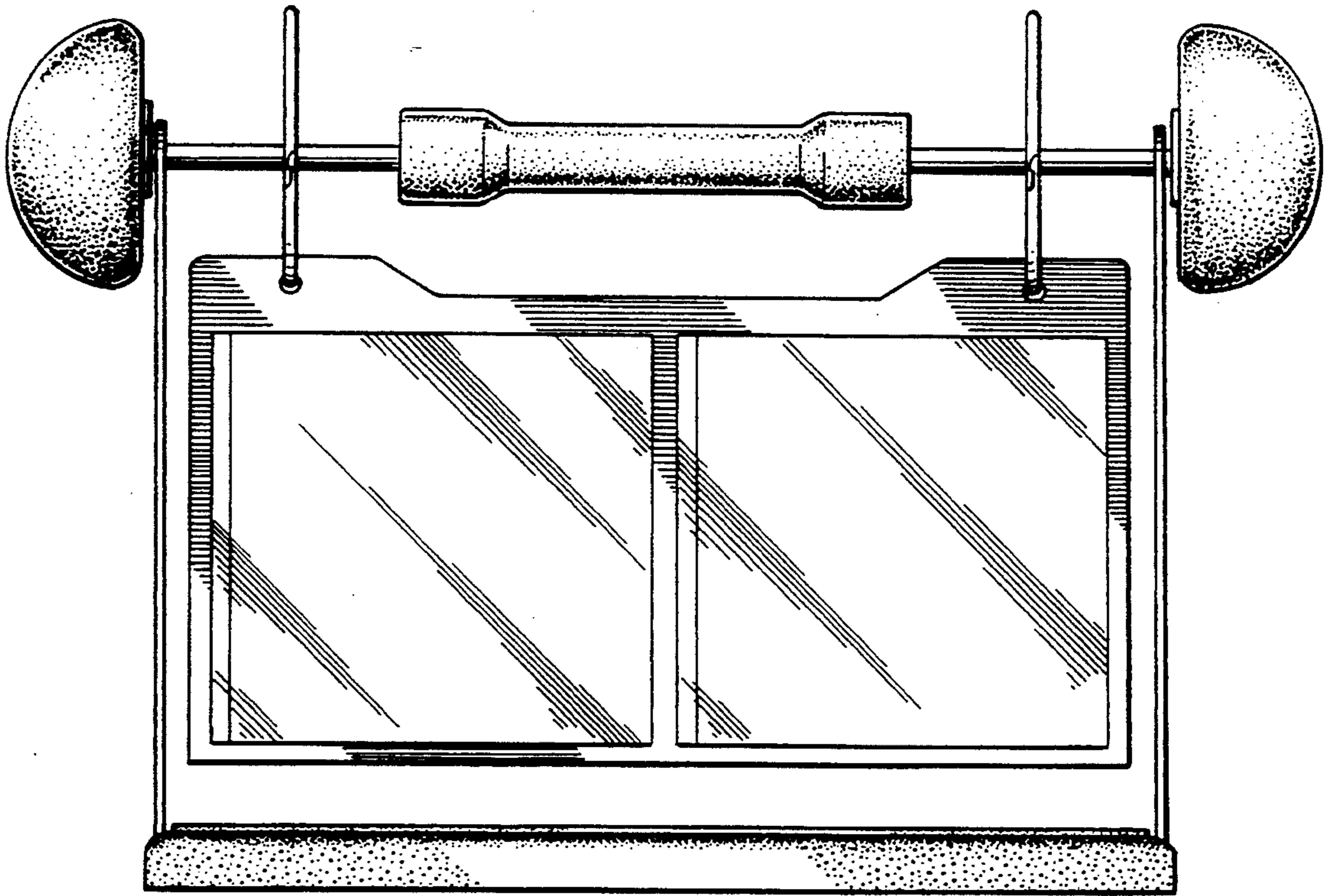


FIG. 7

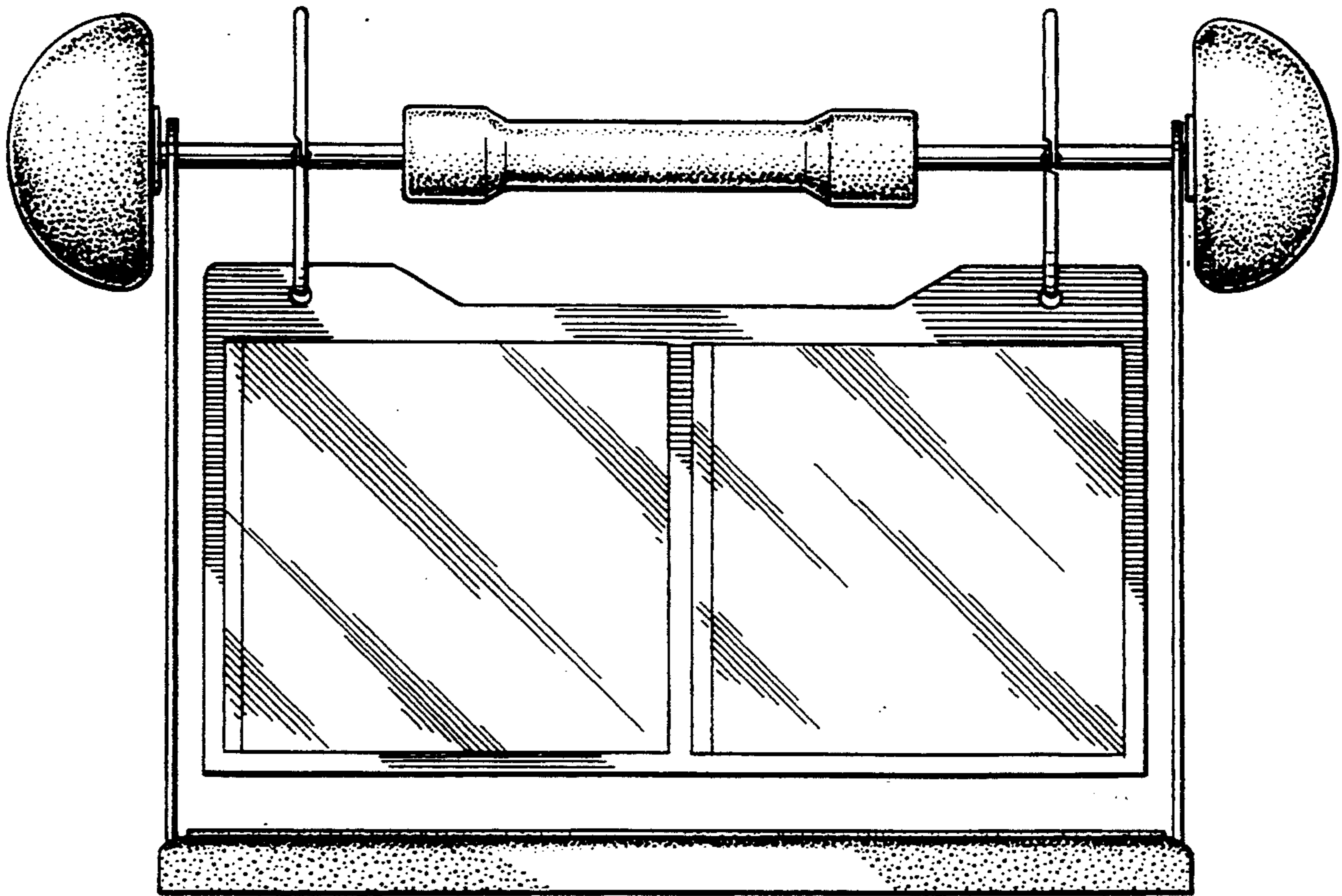


FIG. 8

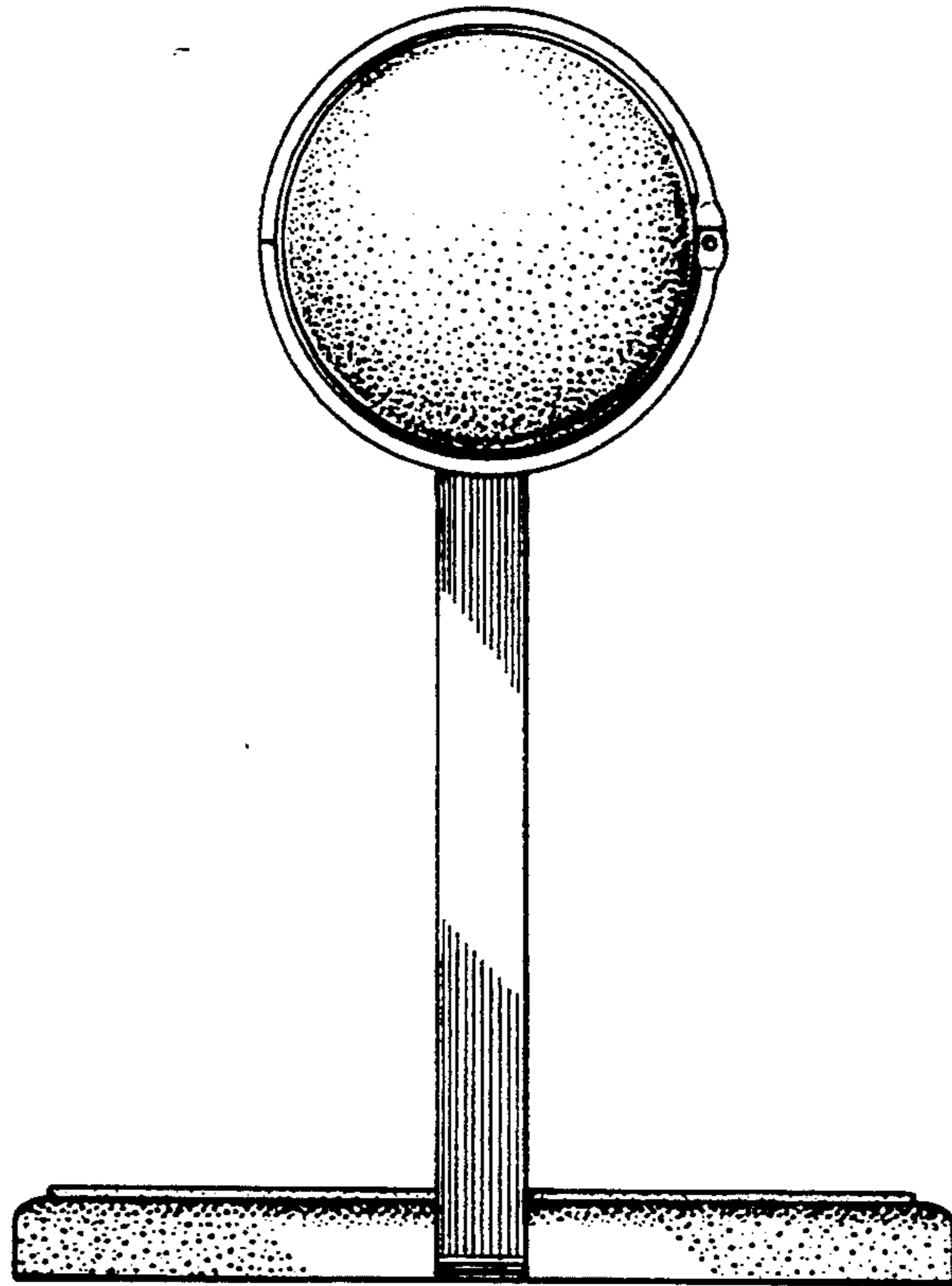


FIG. 9

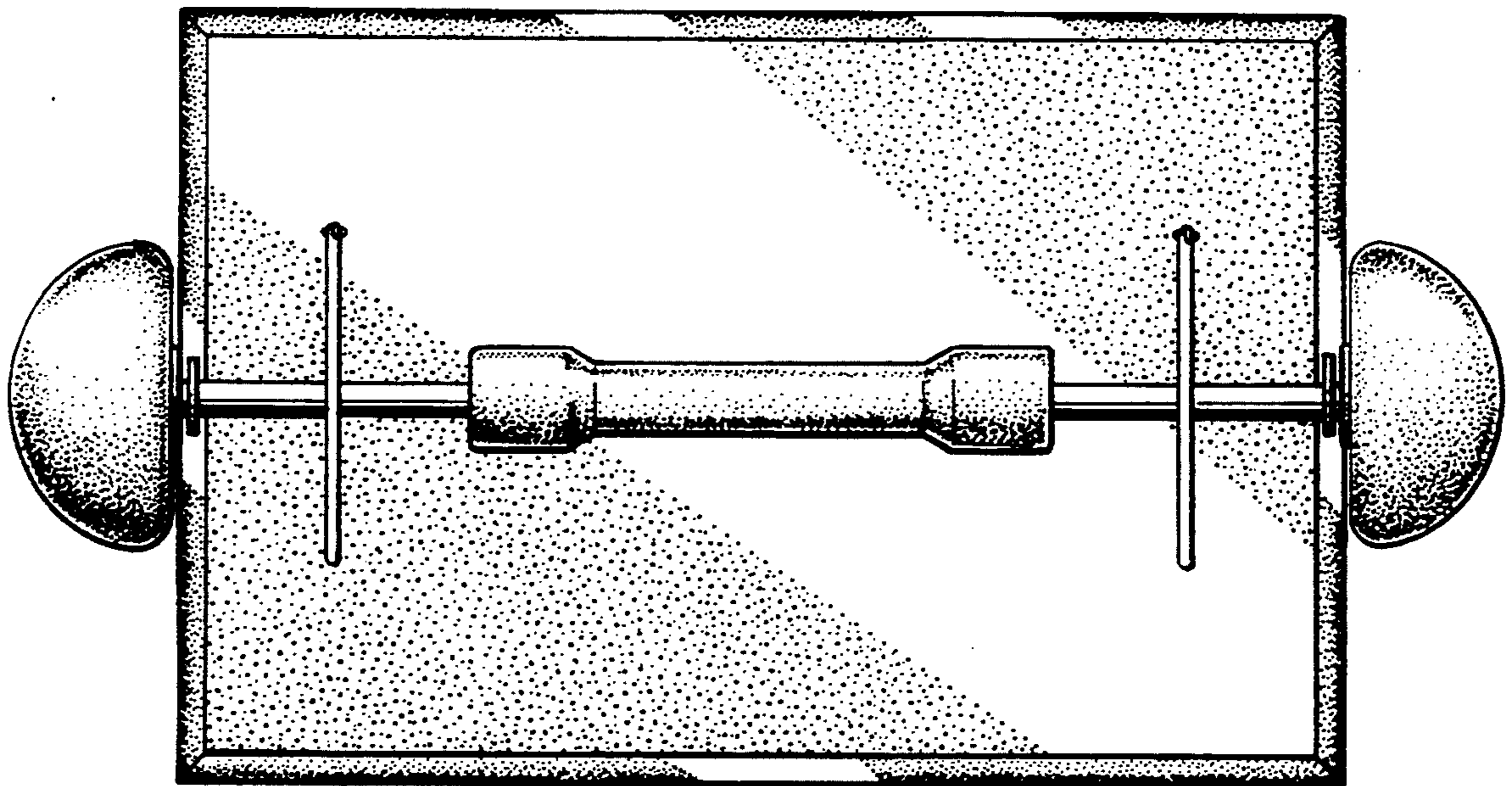


FIG. 10