



US00D356434S

United States Patent [19]

[11] Patent Number: **Des. 356,434**

Englehart, Jr.

[45] Date of Patent: **** Mar. 21, 1995**

[54] **CAR SHOE**

[76] Inventor: **Ned H. Englehart, Jr.**, 922 Cornell, Wilmette, Ill. 60091

[**] Term: **14 Years**

[21] Appl. No.: **14,718**

[22] Filed: **Oct. 29, 1993**

[52] U.S. Cl. **D2/898**

[58] Field of Search **D2/896, 897, 898, 969; 36/45, 132, 112**

[56] **References Cited**

U.S. PATENT DOCUMENTS

D. 158,520	5/1950	Scoville, Jr.	D2/898
D. 240,973	8/1976	Tesky	D2/898
D. 240,974	8/1976	Tesky	D2/898
D. 283,462	4/1986	Whitman	D2/898
D. 294,765	3/1988	Otto	D2/898
D. 307,507	5/1990	DelVecchio, Jr. et al.	D2/898
D. 343,948	2/1994	Smith	D2/898

OTHER PUBLICATIONS

Photographs showing front, back, left and right side views of model car (date unknown).

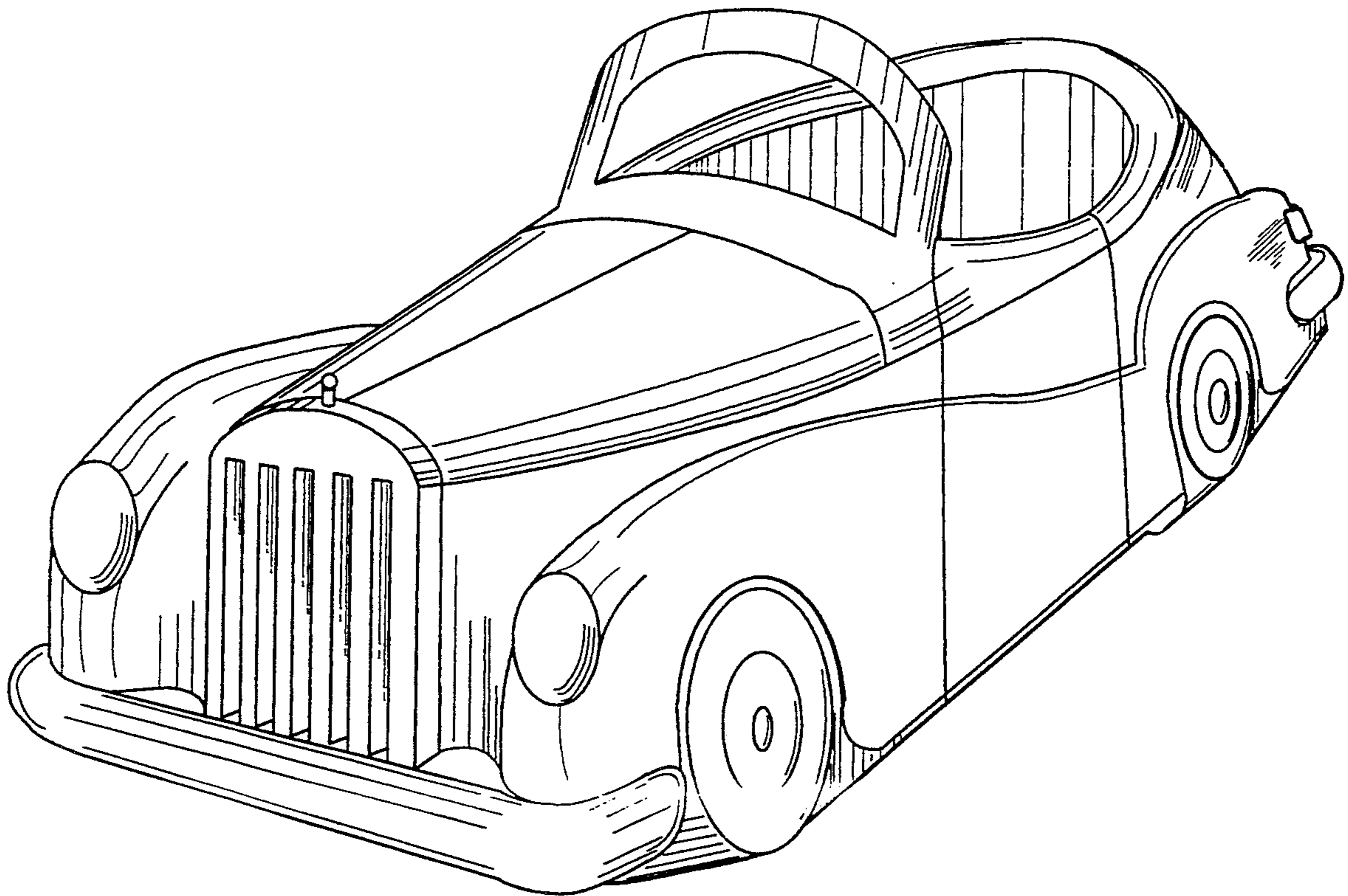
Primary Examiner—Louis S. Zarfaz
Attorney, Agent, or Firm—Fitch, Even, Tabin & Flannery

[57] **CLAIM**

The ornamental design for a car shoe, as shown and described.

DESCRIPTION

FIG. 1 is a perspective view of a car shoe showing my new design;
 FIG. 2 is a right side view of the car shoe shown in FIG. 1;
 FIG. 3 is a left side view of the car shoe shown in FIG. 1;
 FIG. 4 is a front view of the car shoe shown in FIG. 1;
 FIG. 5 is a rear view of the car shoe shown in FIG. 1;
 FIG. 6 is a top view of the car shoe shown in FIG. 1;
 and,
 FIG. 7 is a bottom view of the car shoe shown in FIG. 1.



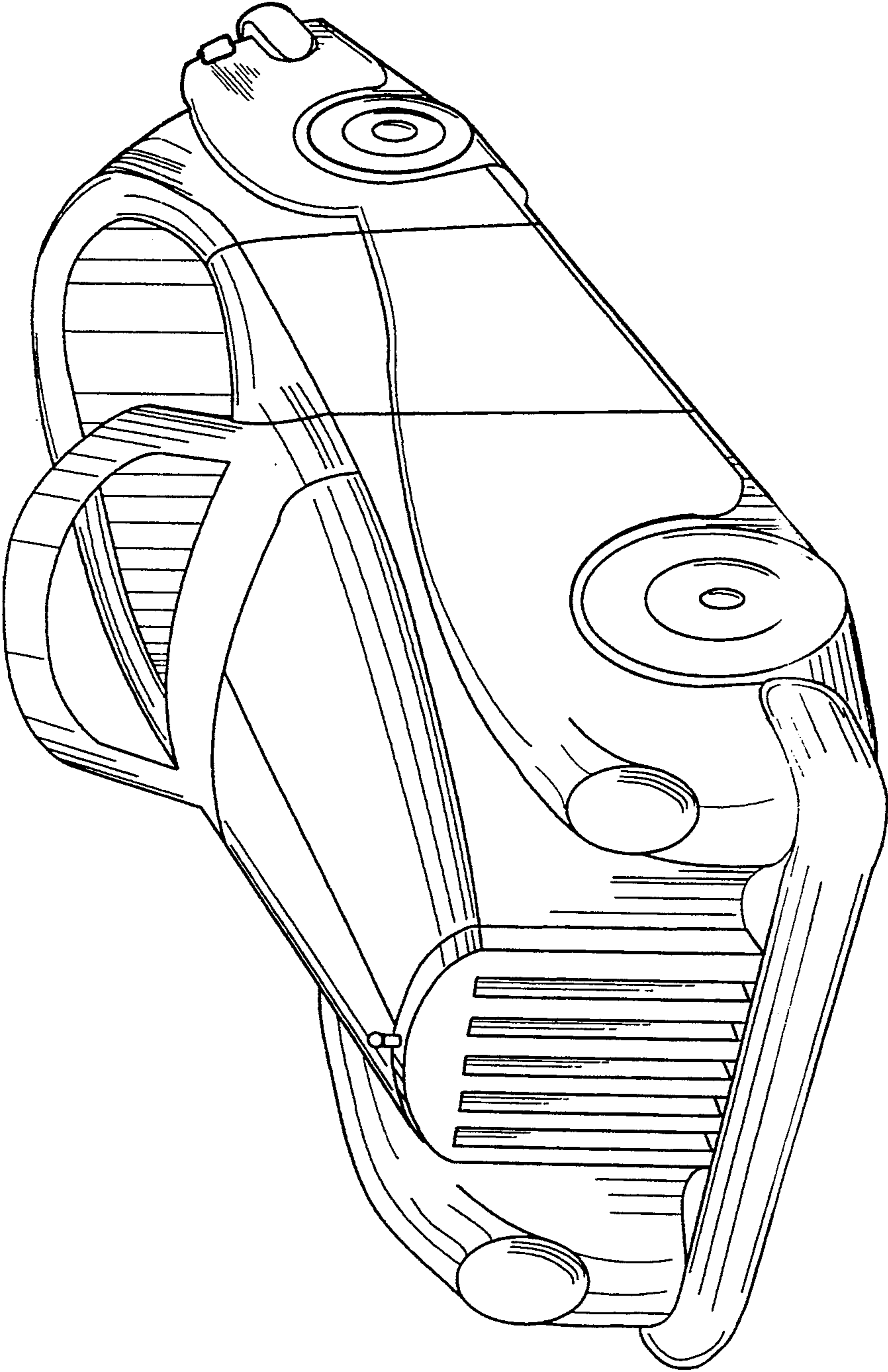


Fig. 1

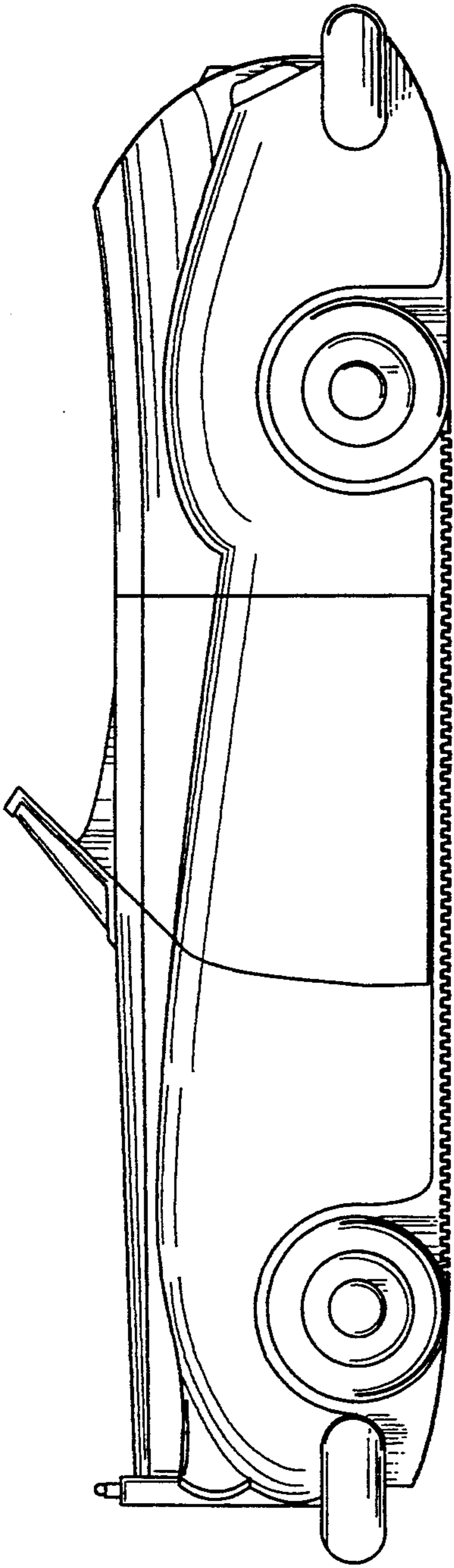


Fig. 2

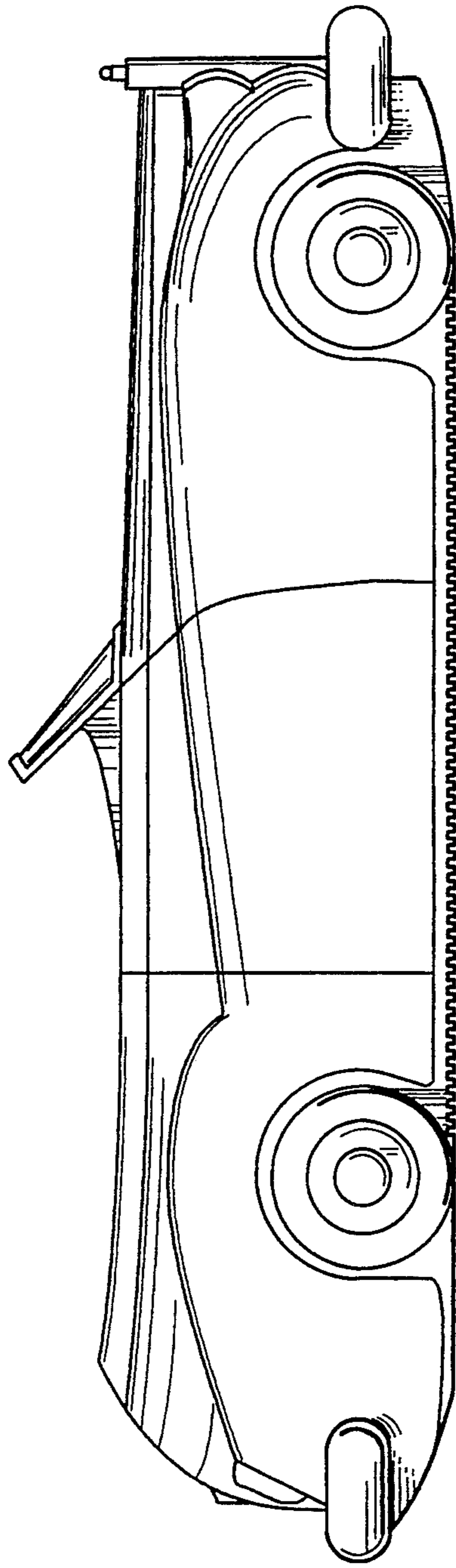


Fig. 3

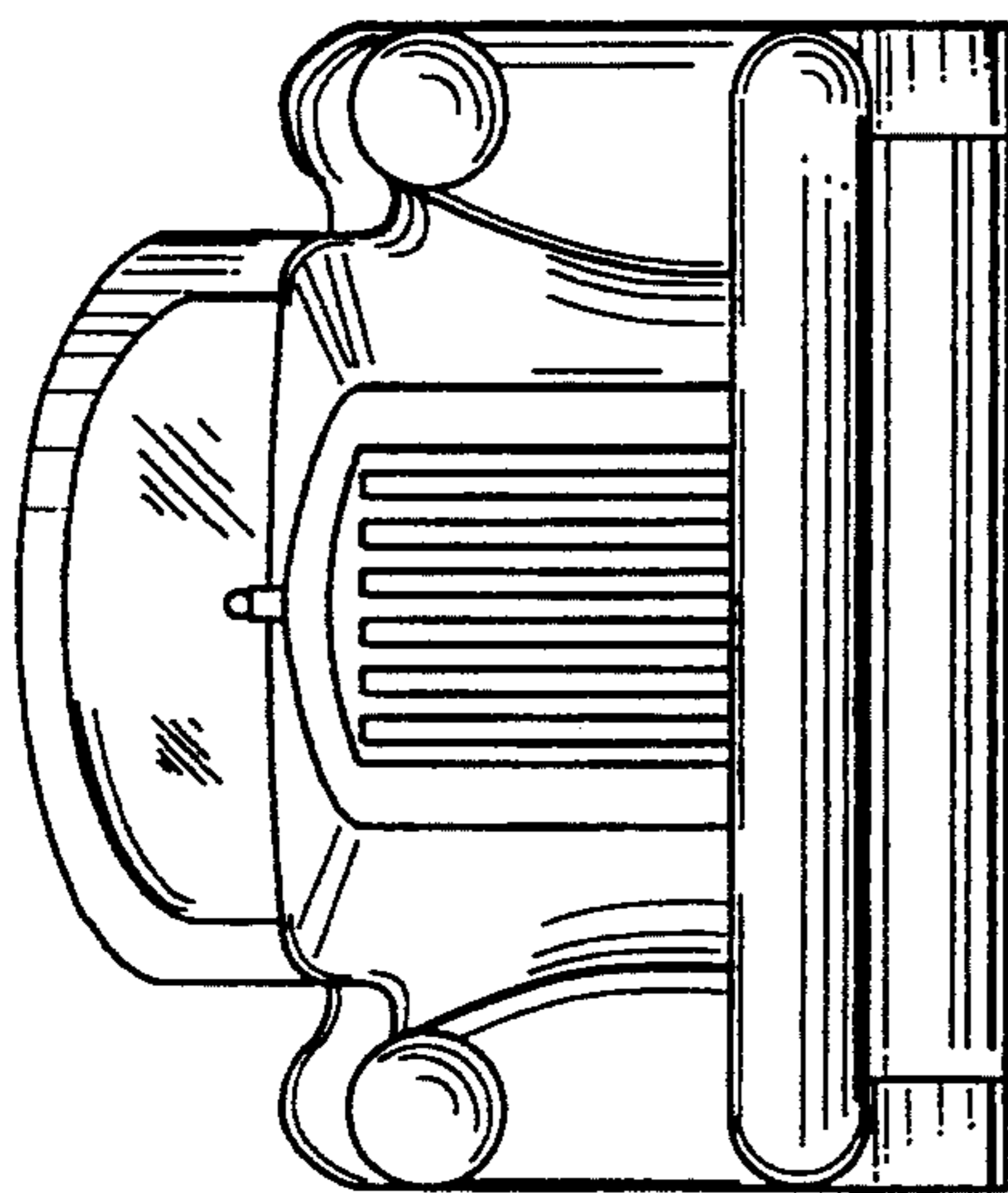


Fig. 4

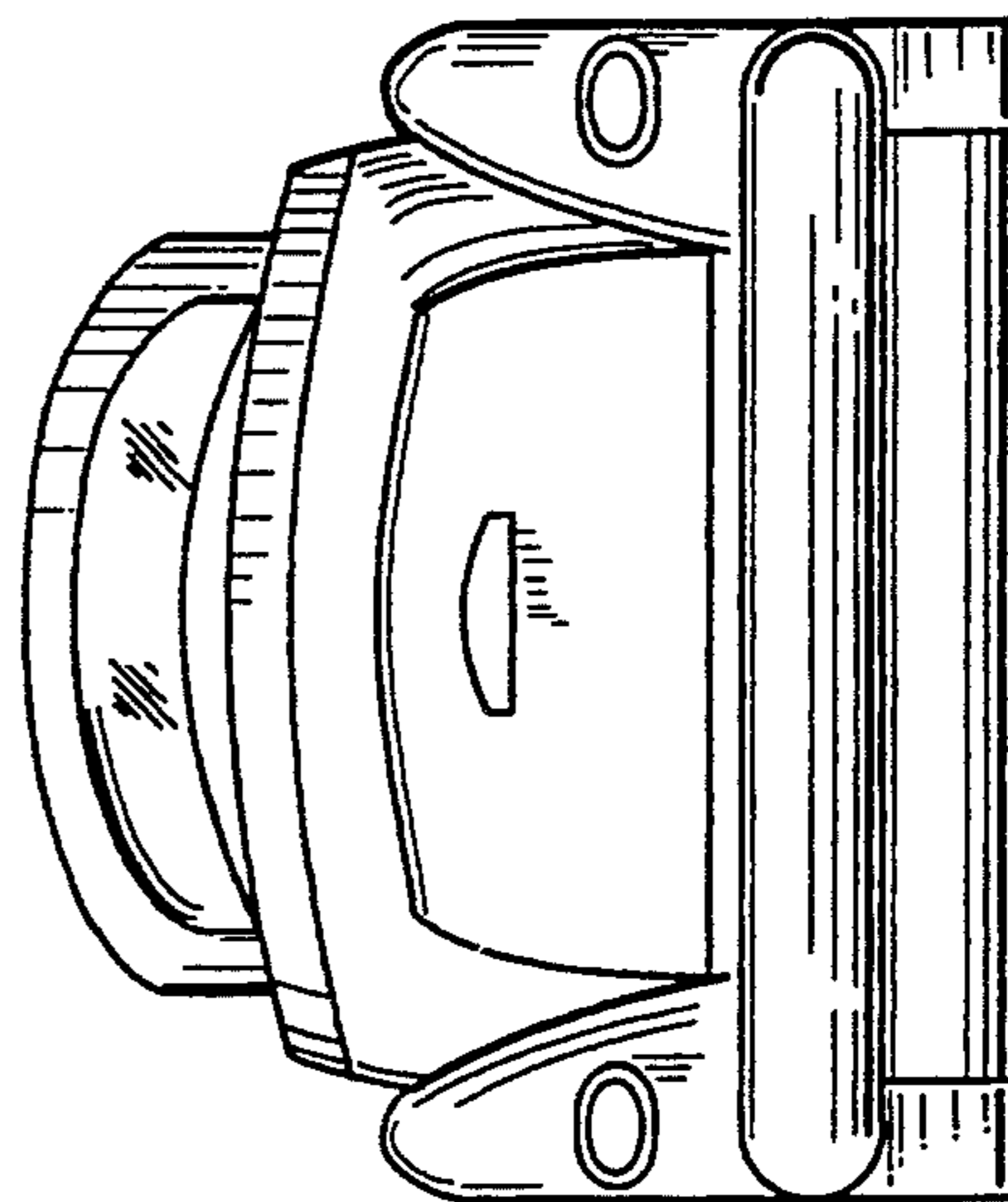


Fig. 5

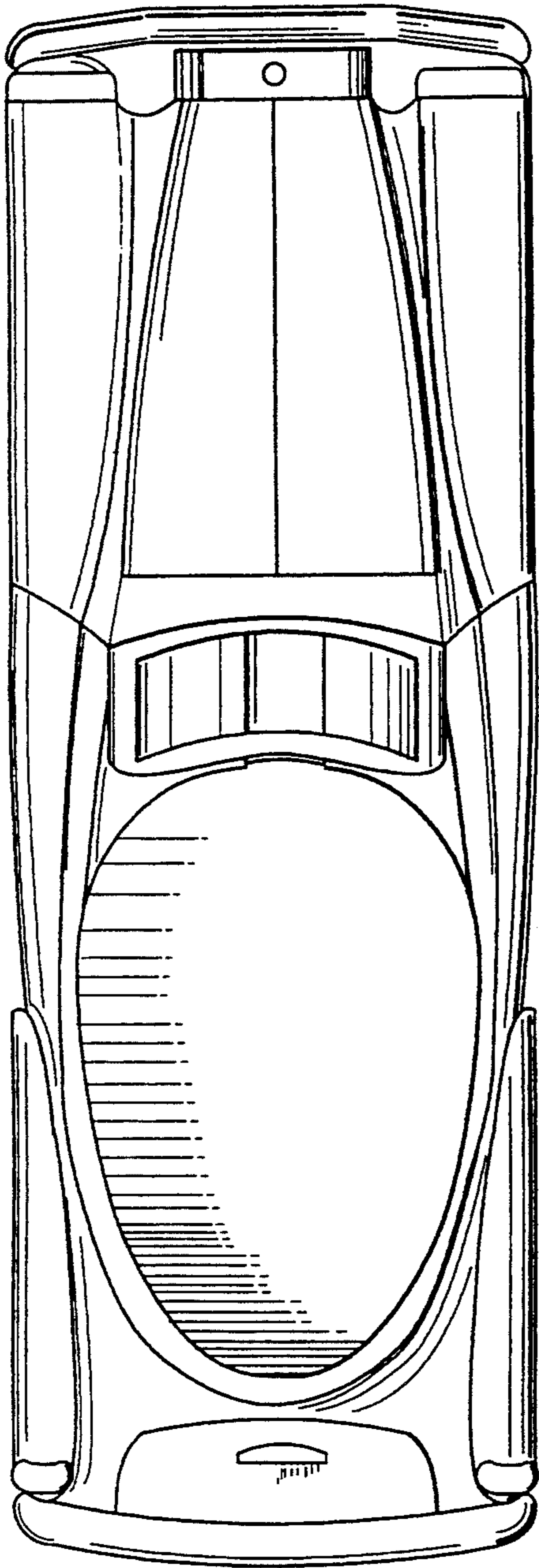


Fig. 6

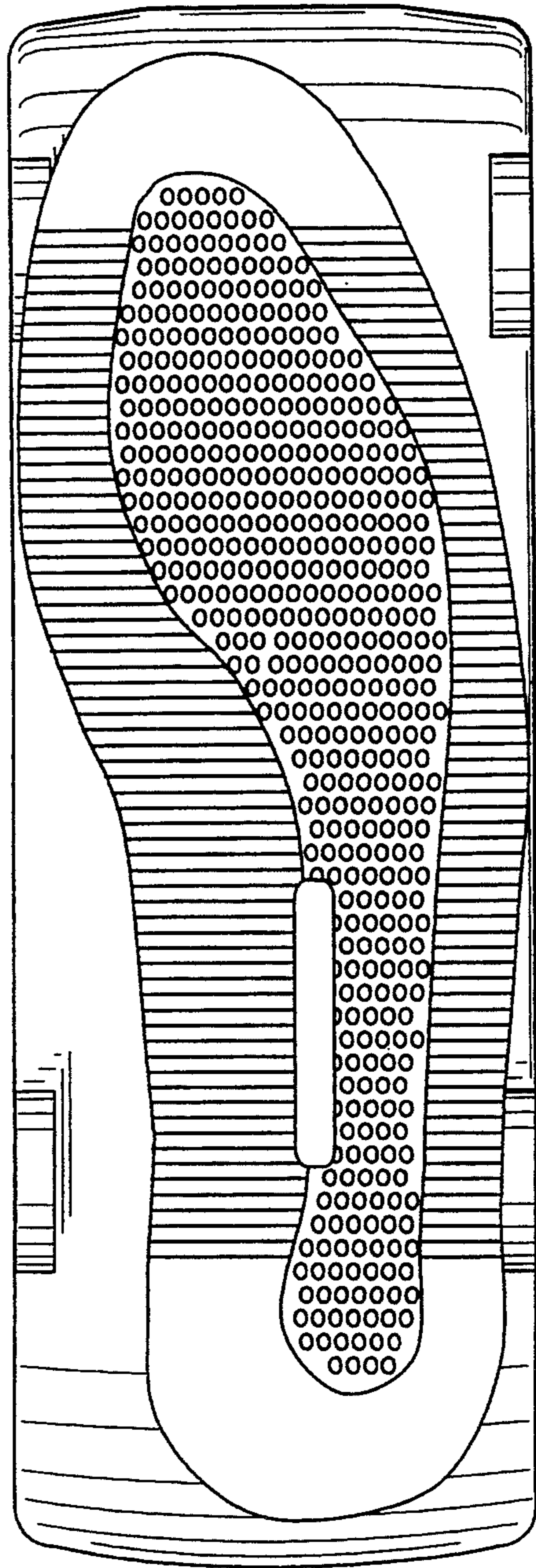


Fig. 7

UNITED STATES PATENT AND TRADEMARK OFFICE
CERTIFICATE OF CORRECTION

PATENT NO. : Des. 356,434
DATED : March 21, 1995
INVENTOR(S) : Ned H. Engelhart, Jr.

It is certified that error appears in the above-identified patent and that said Letters Patent is hereby corrected as shown below:

On title page, item [19]

Column 1, line 2, "Englehart, Jr." should be changed to
--Engelhart, Jr.--; and

item [54]:

Column 1, line 4, "Englehart, Jr." should be changed to
--Engelhart, Jr.--.

Signed and Sealed this
Sixth Day of June, 1995



BRUCE LEHMAN

Commissioner of Patents and Trademarks

Attest:

Attesting Officer