



US00D356423S

# United States Patent [19]

[11] Patent Number: **Des. 356,423**

**Kresin**

[45] Date of Patent: **\*\* Mar. 14, 1995**

[54] **COMBINED SOLAR POWER AND LIGHT POST FOR A MAILBOX**

4,843,525	6/1989	Williams .....	362/157
4,931,780	6/1990	LaMont .....	340/691
5,007,190	4/1991	Shyu .....	40/564

[76] Inventor: **Mark Kresin**, 8415 N. Kedvale, Skokie, Ill. 60076

*Primary Examiner*—Alan P. Douglas  
*Assistant Examiner*—Jeffrey H. Musgrove  
*Attorney, Agent, or Firm*—Terry M. Gernstein

[\*\*] Term: **14 Years**

[21] Appl. No.: **13,813**

### [57] CLAIM

[22] Filed: **Oct. 4, 1993**

The ornamental design for a combined solar power and light post for a mailbox, as shown and described.

[52] U.S. Cl. .... **D99/32**

[58] Field of Search ..... D99/29, 30, 31, 32;  
D25/122, 123, 126, 131, 132; 232/39; 248/156,  
155; 52/730, 731, 732, 738; 40/566; 362/157,  
812, 431

### DESCRIPTION

### [56] References Cited

#### U.S. PATENT DOCUMENTS

D. 231,713	5/1974	Nesbitt et al. ....	D99/32
D. 316,444	4/1991	Abbestam et al. ....	D25/122
D. 336,345	6/1993	Fasth et al. ....	D25/126
D. 344,842	3/1994	Mitchell .....	D99/32
1,290,740	1/1919	Hale .....	D25/122
4,213,560	7/1980	Hall .....	248/156

FIG. 1 is a front, top and side perspective view of the combined solar power and light post for a mailbox showing my new design;

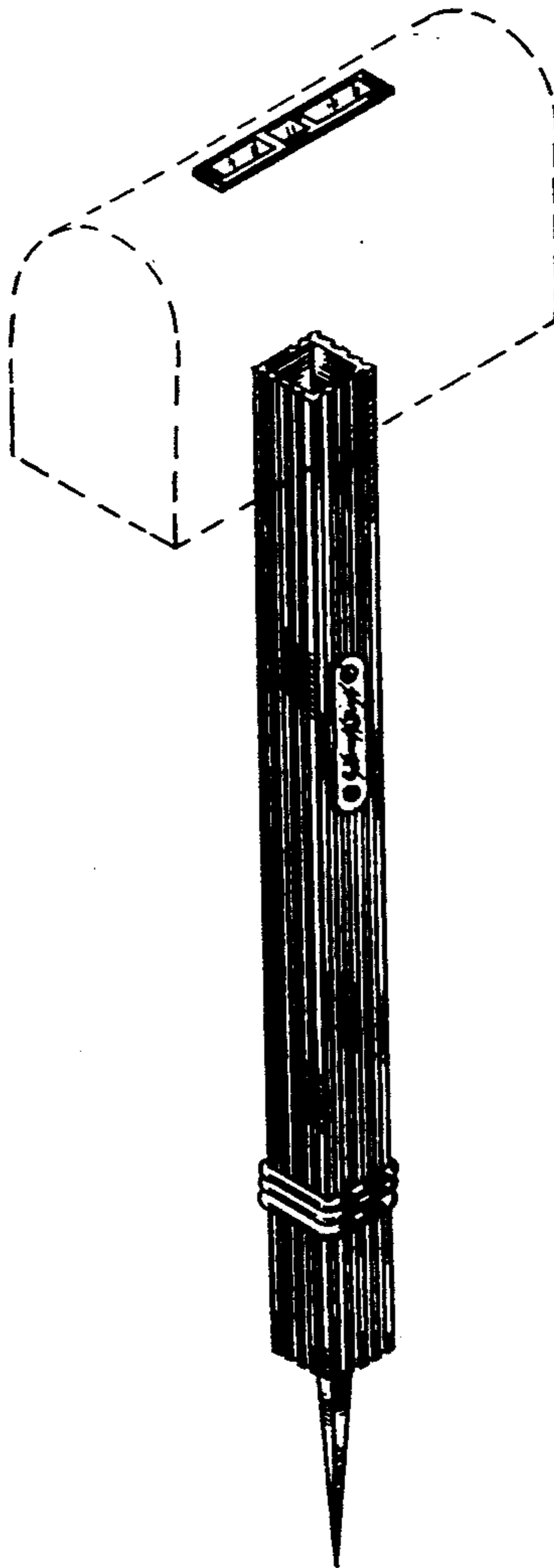
FIG. 2 is a front elevational view thereof;

FIG. 3 is a side elevational view thereof, the side opposite being a mirror image of the side shown in FIG. 3;

FIG. 4 is a top plan view thereof; and,

FIG. 5 is a bottom plan view thereof.

The broken line showing of the mailbox is for illustrative purposes only and forms no part of the claimed design.



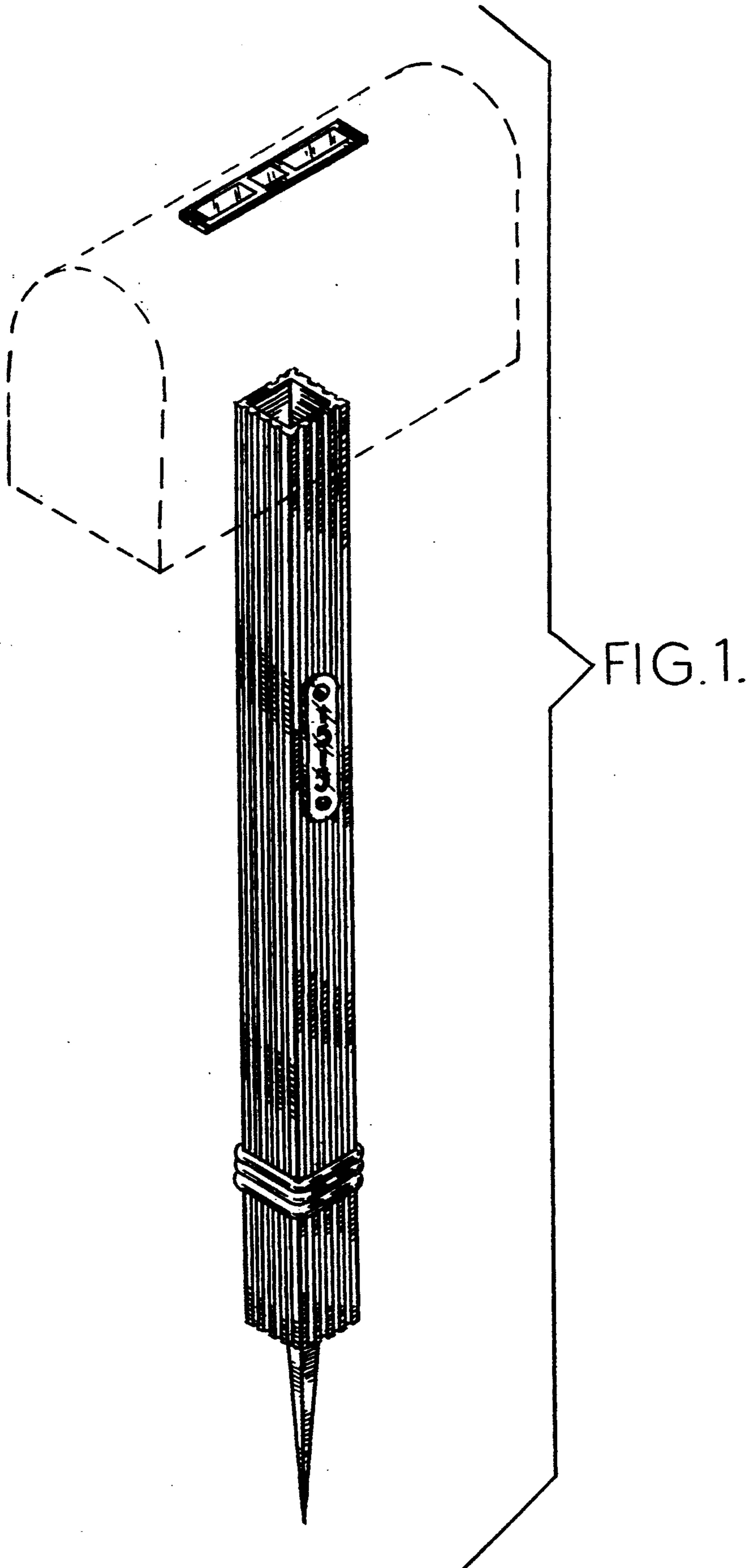




FIG. 4.

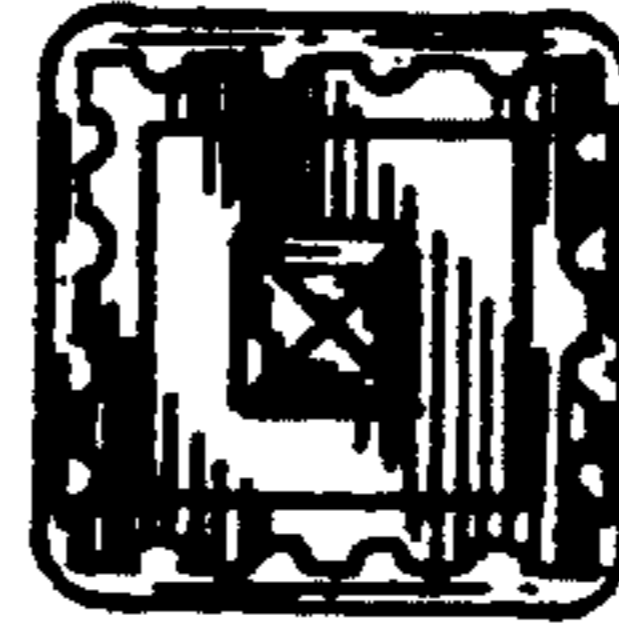


FIG. 5.

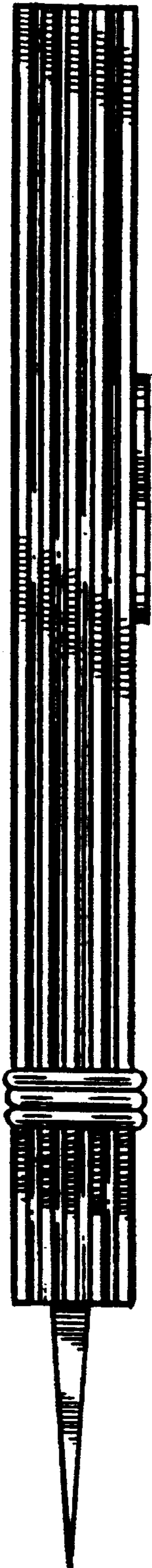


FIG. 3.



FIG. 2.