



US00D356420S

# United States Patent [19]

[11] **Patent Number: Des. 356,420**

**Etzel et al.**

[45] **Date of Patent: \*\* Mar. 14, 1995**

[54] **HUMAN REMAINS CONTAINER**

[76] Inventors: **Henry V. Etzel; Robert T. Etzel**, both of 2268 N. Hillcrest, Wellington, Utah 84542

[\*\*] Term: **14 Years**

[21] Appl. No.: **15,800**

[22] Filed: **Nov. 29, 1993**

[52] U.S. Cl. .... **D99/1**

[58] Field of Search ..... **D99/1, 2, 3, 4; 27/1-19**

[56] **References Cited**

**U.S. PATENT DOCUMENTS**

- 4,788,757 12/1988 Bethune et al. .... 27/2
- 4,800,631 1/1989 Pellmann ..... 27/7

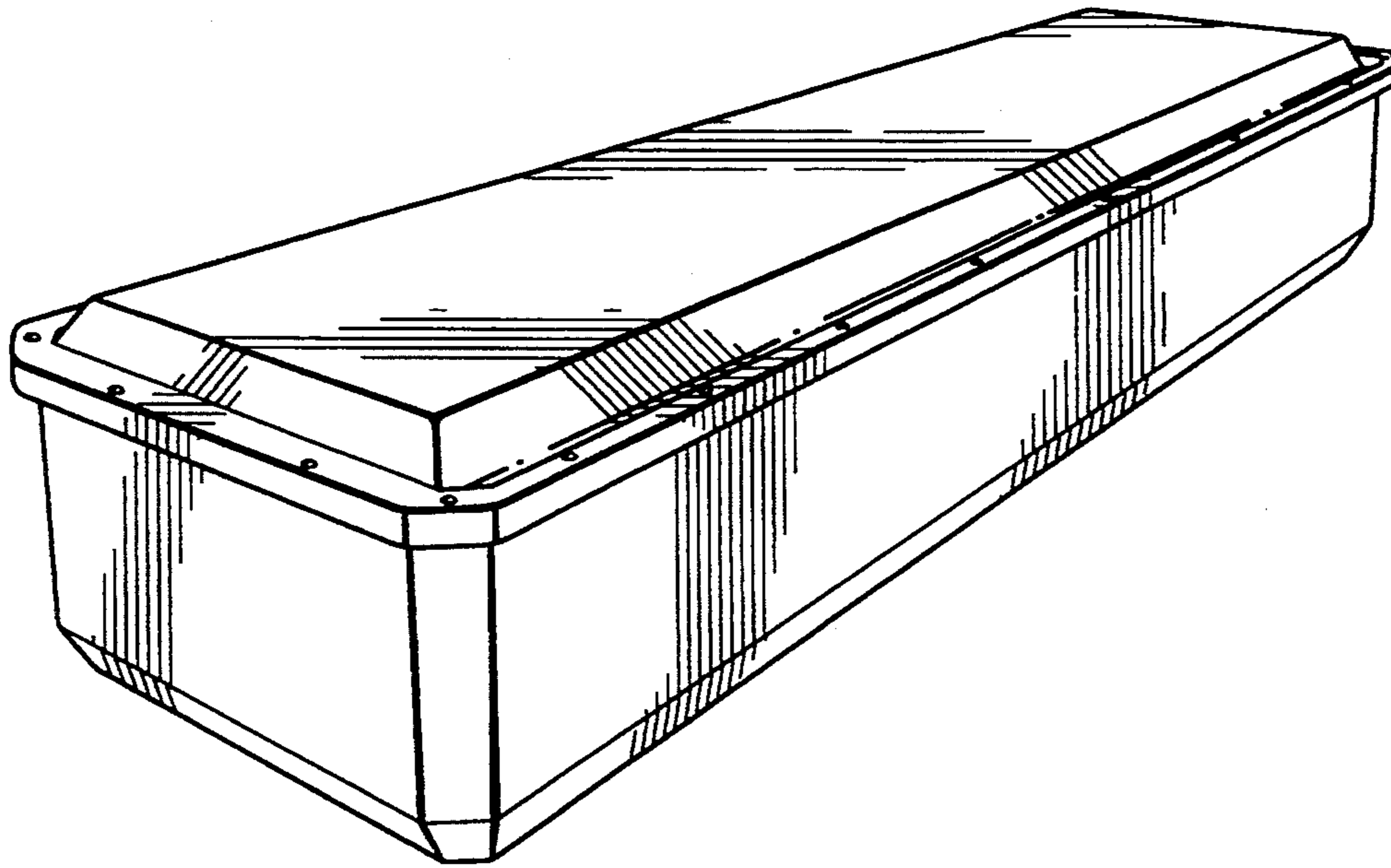
*Primary Examiner*—Alan P. Douglas  
*Assistant Examiner*—Jeffry H. Musgrove  
*Attorney, Agent, or Firm*—M. Reid Russell

[57] **CLAIM**

The ornamental design for human remains container, as shown and described.

**DESCRIPTION**

FIG. 1 is a front, top, left end perspective view of a human remains container showing our new design; FIG. 2 is a top plan view thereof; FIG. 3 is a bottom plan view thereof; FIG. 4 is a rear elevation view thereof, the front and rear elevation views being mirror images; and, FIG. 5 is a right end elevation view thereof, the left and right elevation views being mirror images.



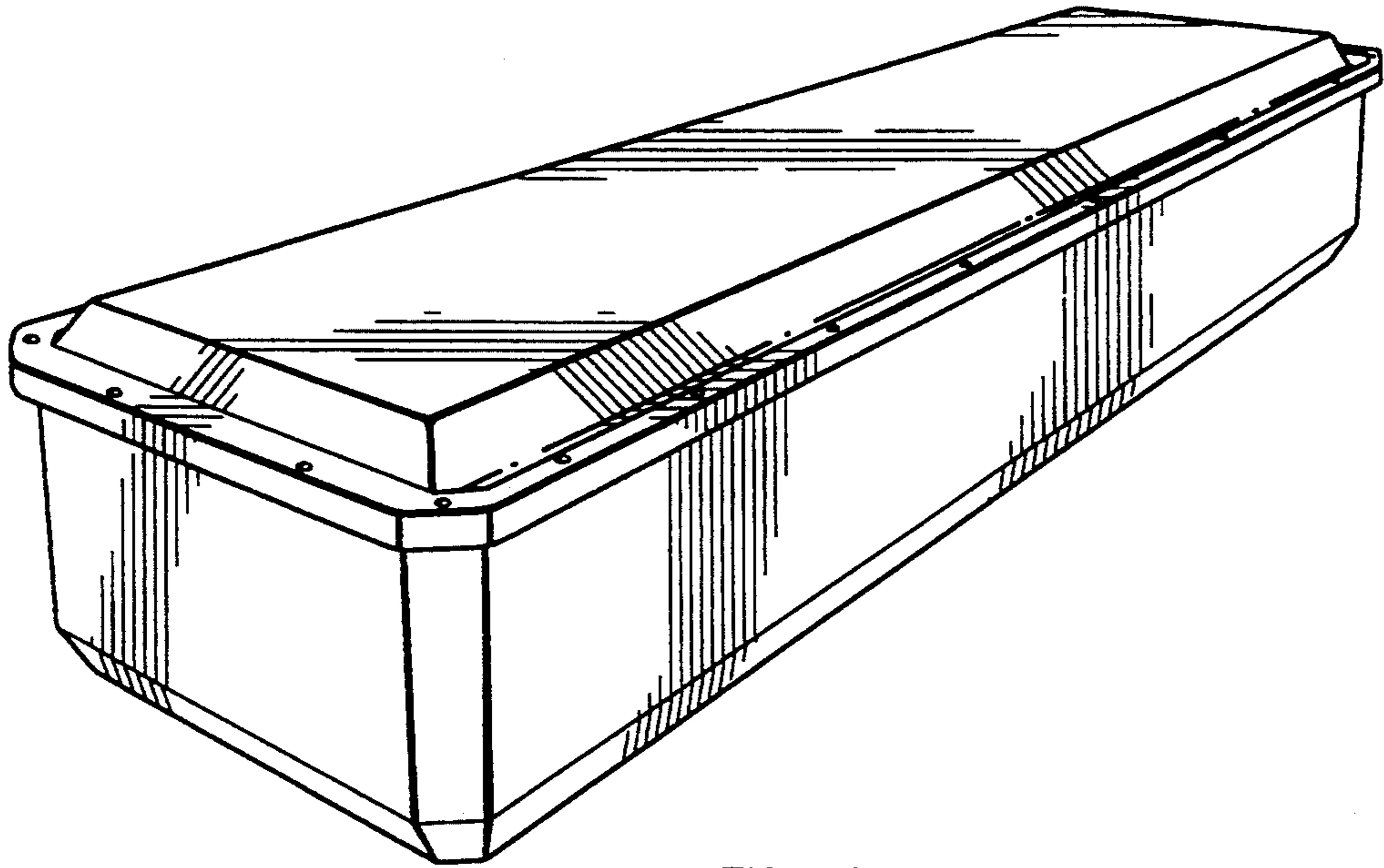


FIG. 1

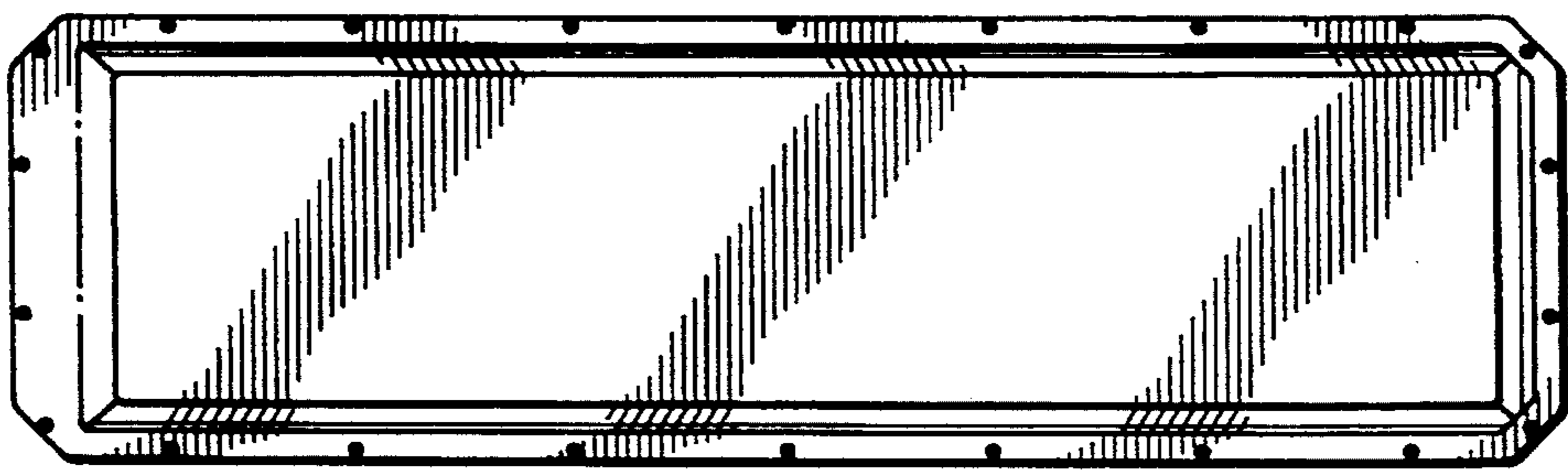


FIG. 2

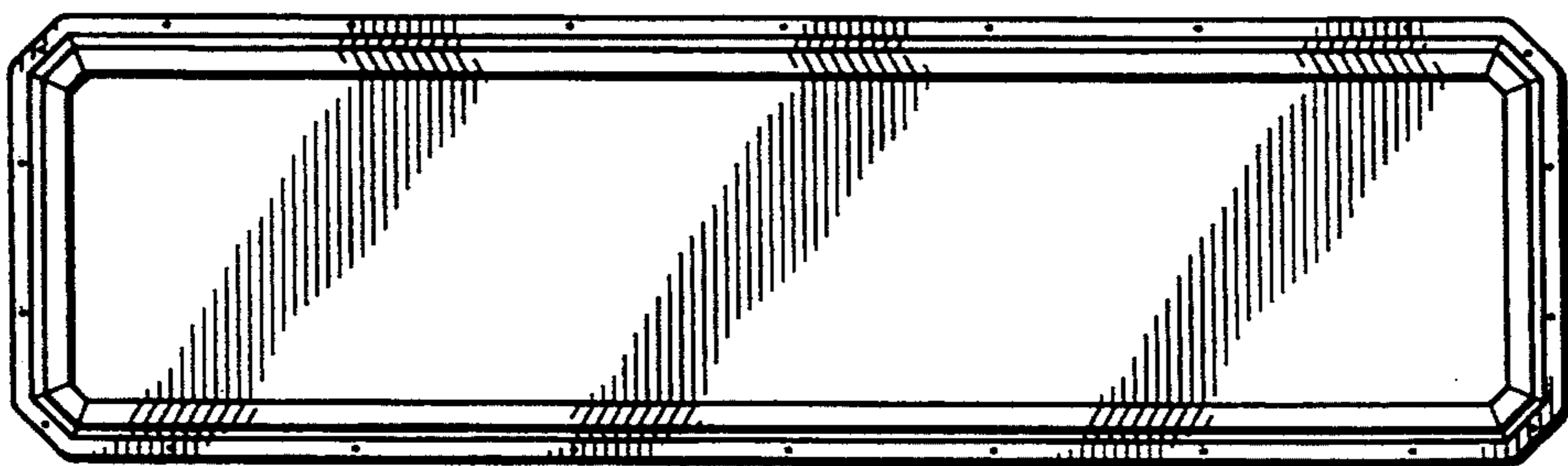


FIG. 3

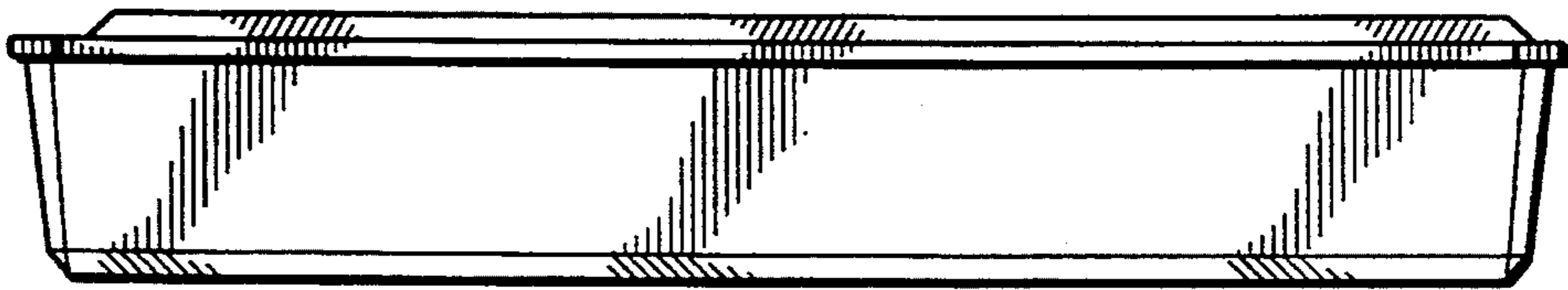


FIG. 4

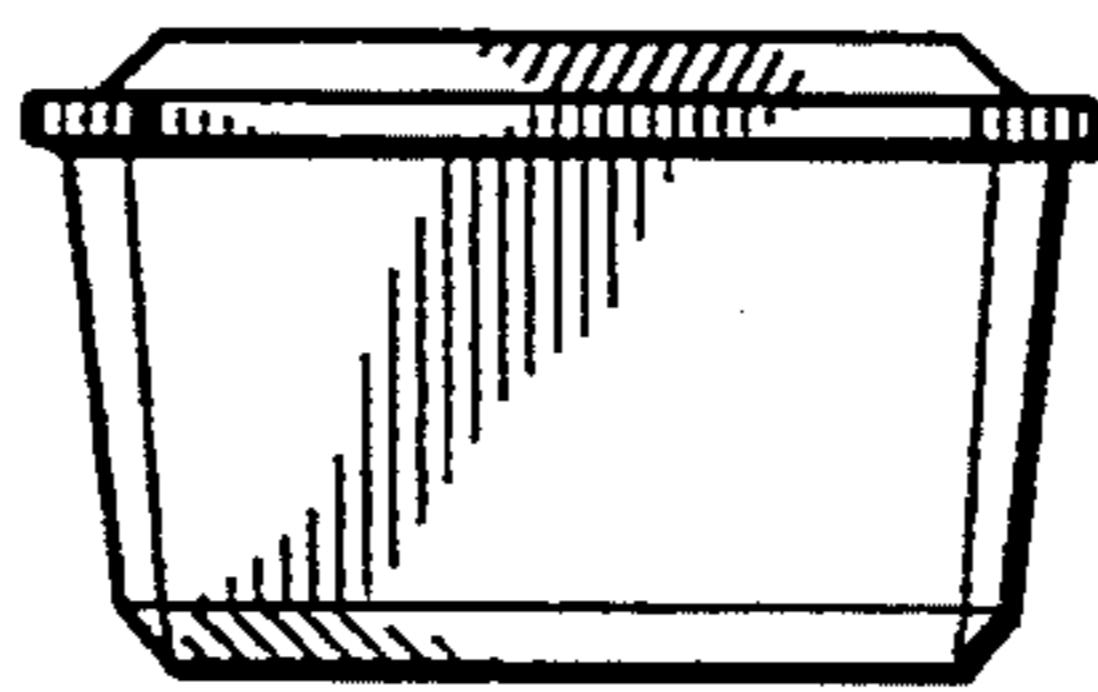


FIG. 5