



US00D356419S

United States Patent [19]

[11] **Patent Number: Des. 356,419**

Kamm

[45] **Date of Patent: ** Mar. 14, 1995**

[54] **RECYCLING BIN**

[75] **Inventor: Christian P. Kamm, Fairview Park, Ohio**

[73] **Assignee: Wilkinson Company, Inc., Stow, Ohio**

[**] **Term: 14 Years**

[21] **Appl. No.: 13,849**

[22] **Filed: Oct. 4, 1993**

[52] **U.S. Cl. D34/7; D34/1**

[58] **Field of Search D34/1, 5, 6, 7, 9, 10, D34/11; 220/625, 908-911, DIG. 12, DIG. 14, 500, 553, 555; 232/43.2; D9/414, 415, 418, 432**

[56] **References Cited**

U.S. PATENT DOCUMENTS

D. 327,152	6/1992	Rose et al.	D34/5
4,974,746	12/1990	Dickinson	220/209
5,044,644	9/1991	Duran et al.	D34/1
5,118,037	6/1992	Ekegren	D34/1

Primary Examiner—Wallace R. Burke
Assistant Examiner—Robin V. Taylor
Attorney, Agent, or Firm—Vickers, Daniels & Young

[57] **CLAIM**

The ornamental design for a recycling bin, as shown and described.

DESCRIPTION

FIG. 1 is a perspective view of a recycling bin showing my new design;
 FIG. 2 is a front elevation view thereof;
 FIG. 3 is a side elevation view thereof;
 FIG. 4 is a rear elevation view thereof;
 FIG. 5 is a perspective view thereof, with one of the openings in an open position;
 FIG. 6 is a perspective view thereof, with all the openings in the opening position;
 FIG. 7 is a perspective view thereof, with the hinged lid in an open position; and,
 FIG. 8 is a perspective view of a second embodiment with the lid in open position, the undisclosed sides and rear being the same in appearance as that shown in FIGS. 3 and 4.

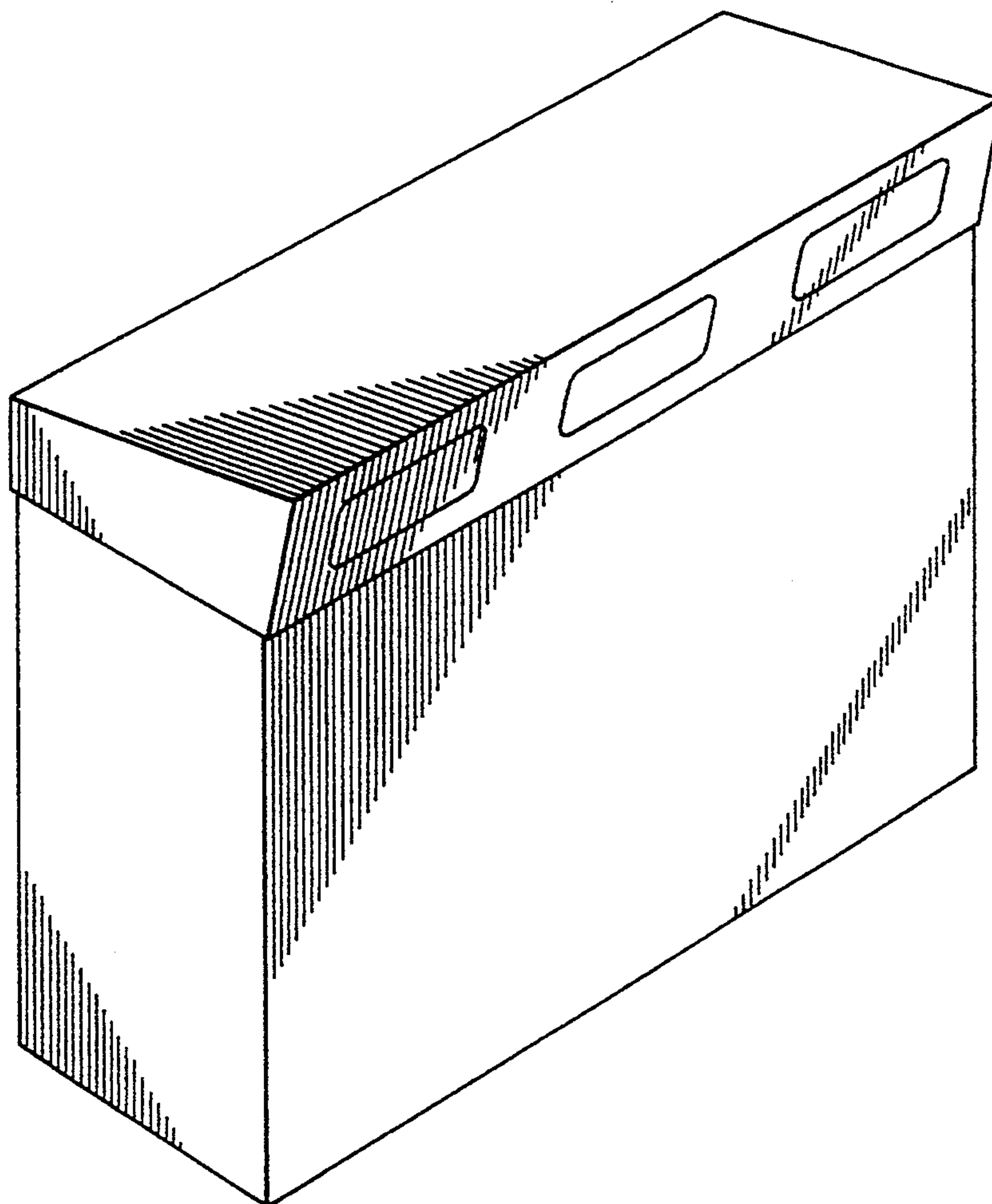


FIG. 1

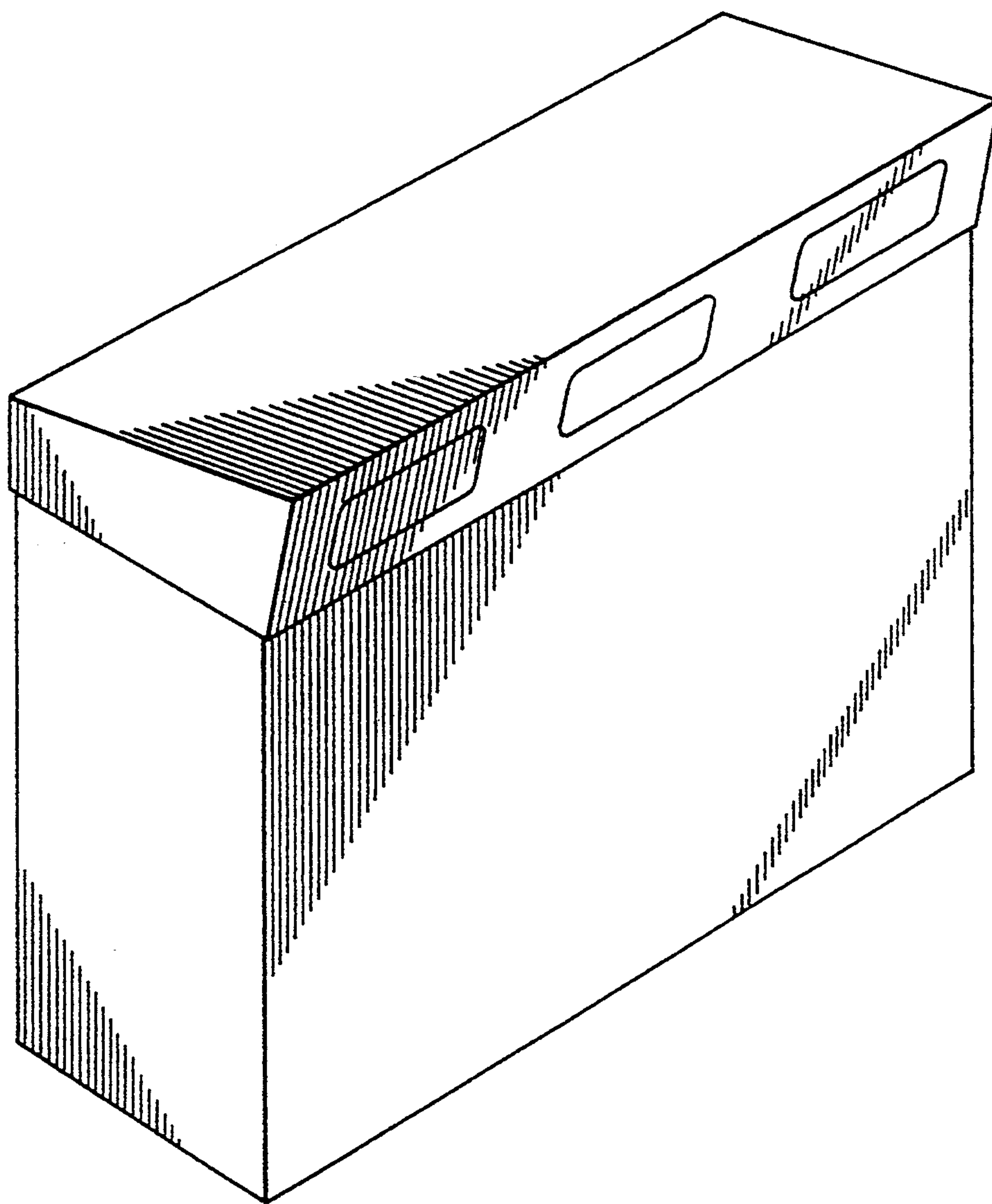


FIG. 3

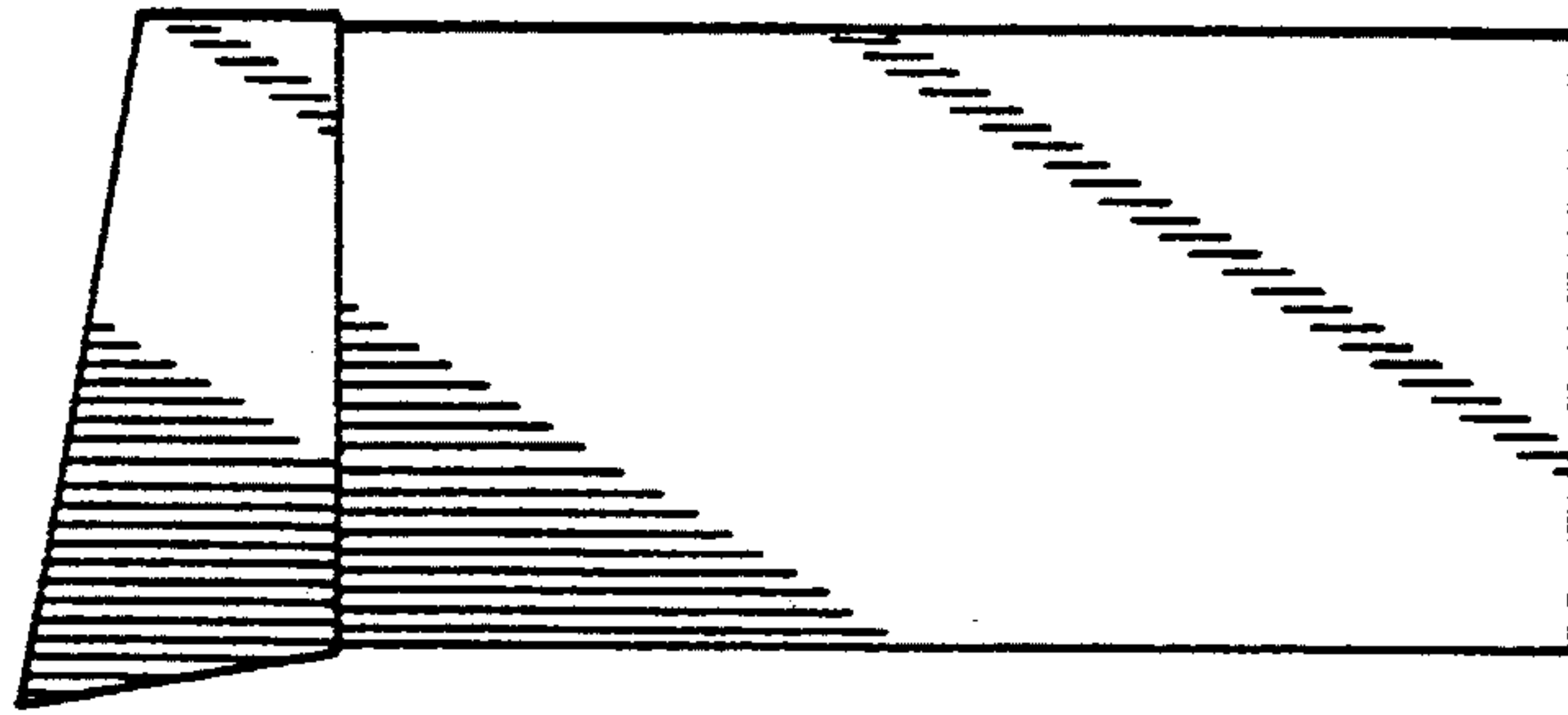
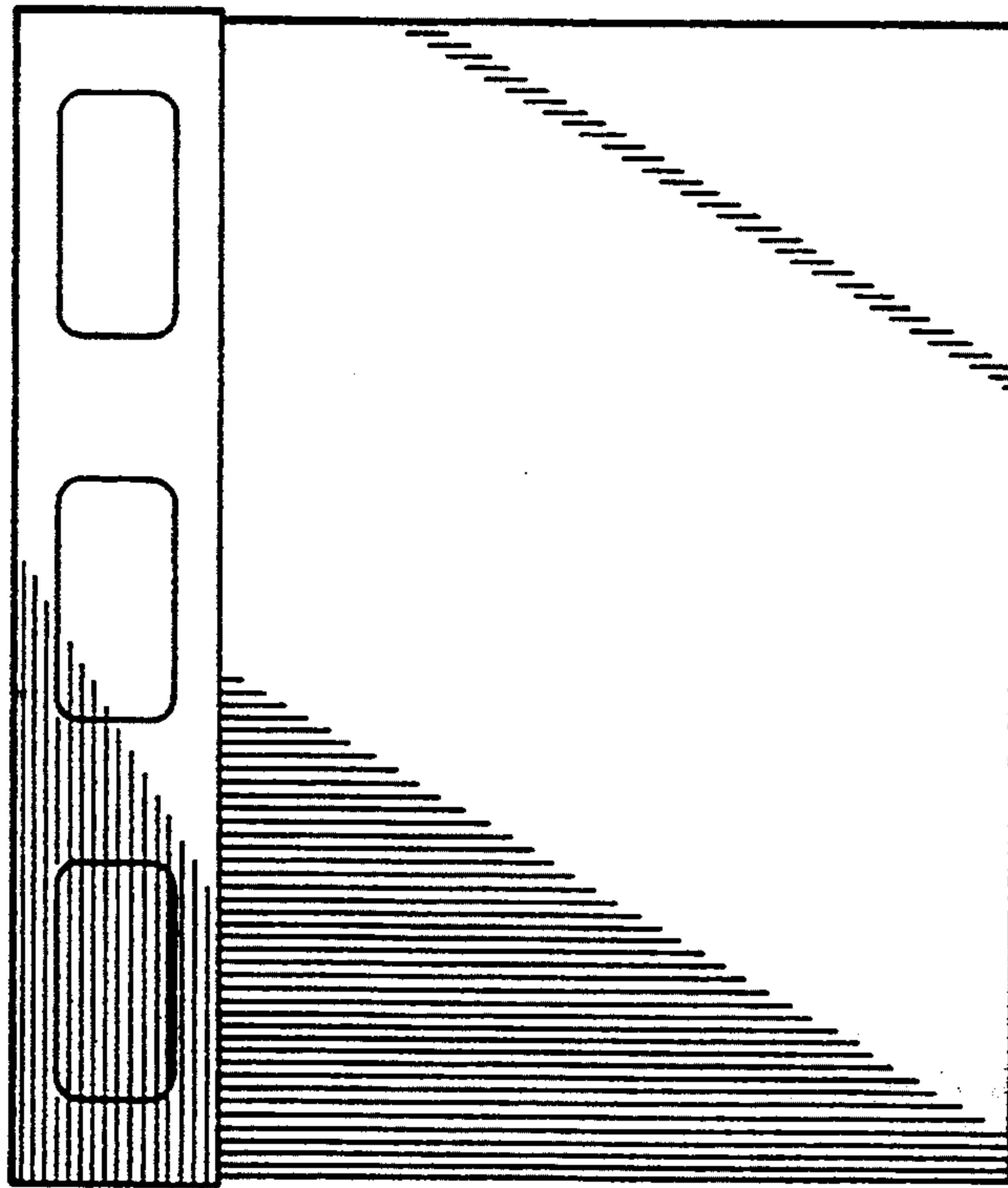


FIG. 2



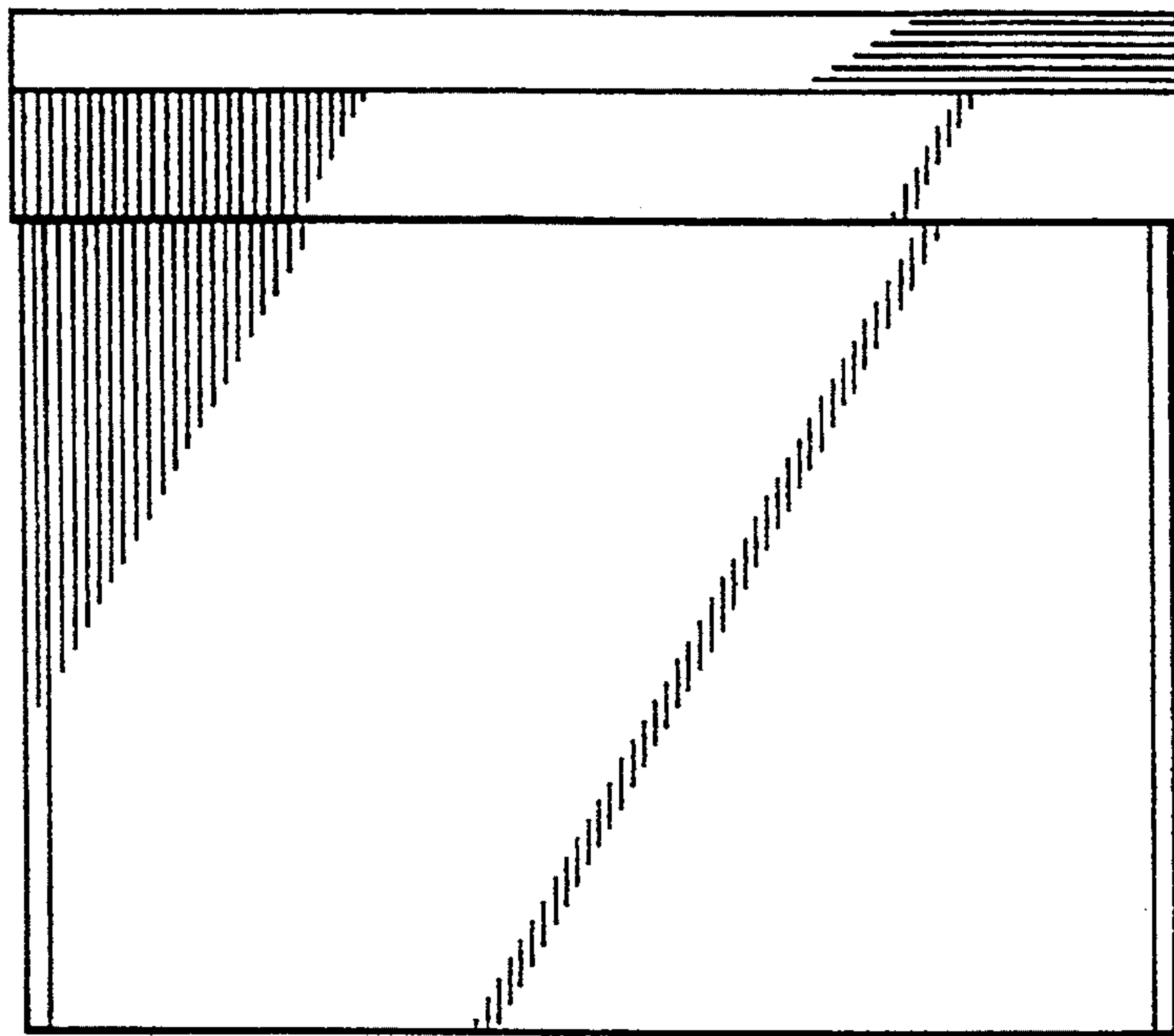


FIG. 4

FIG. 5

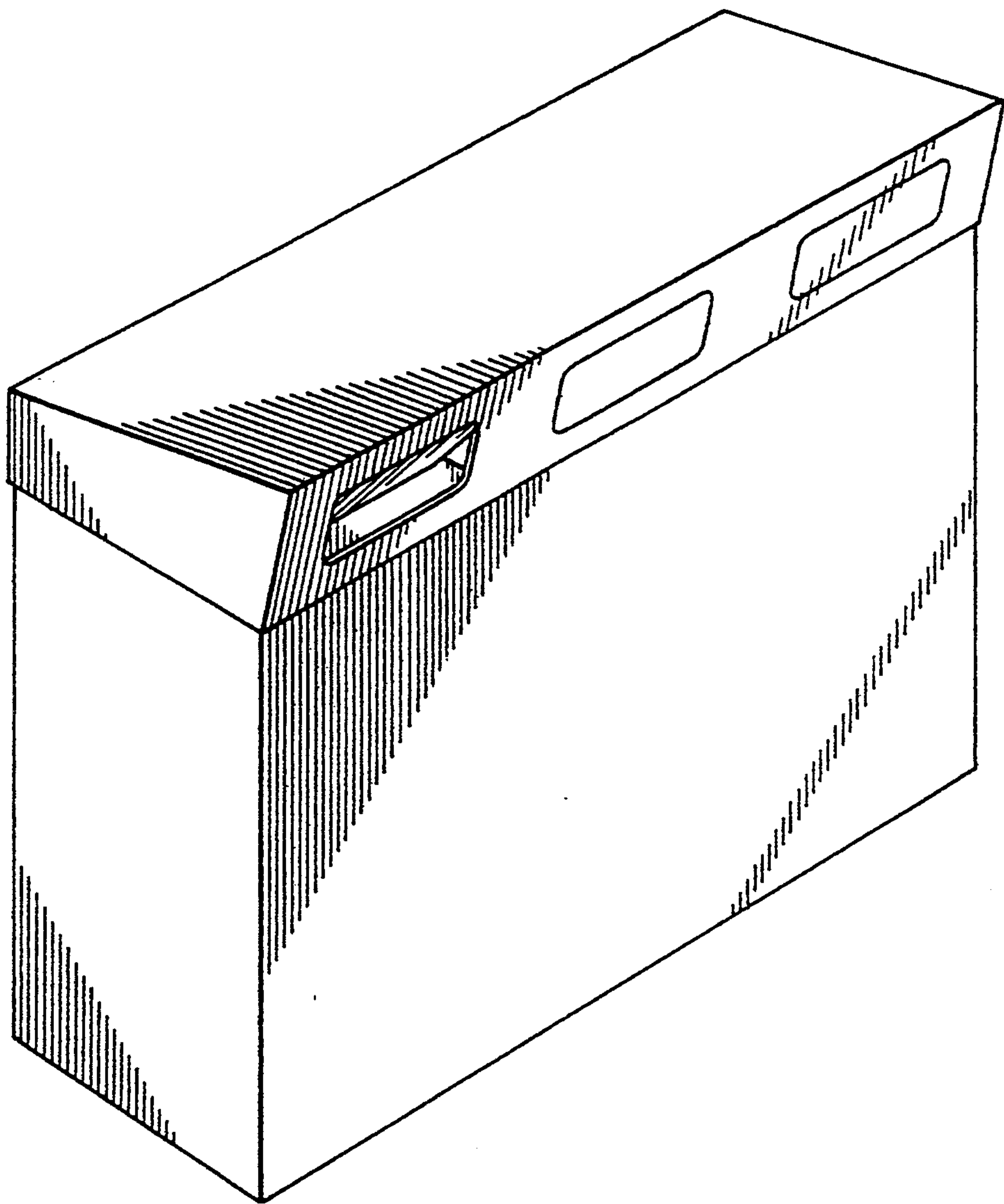


FIG. 6

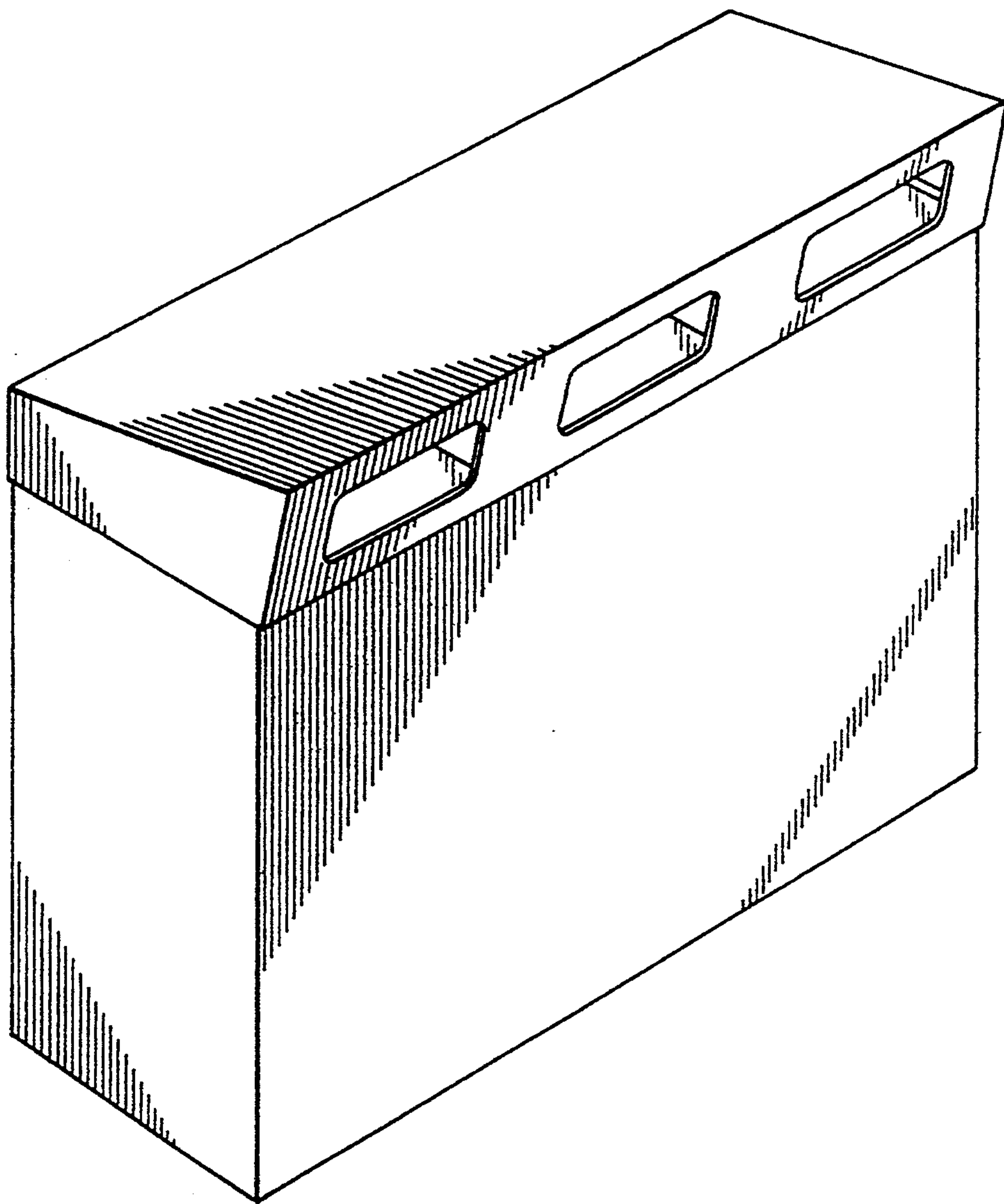


FIG. 7

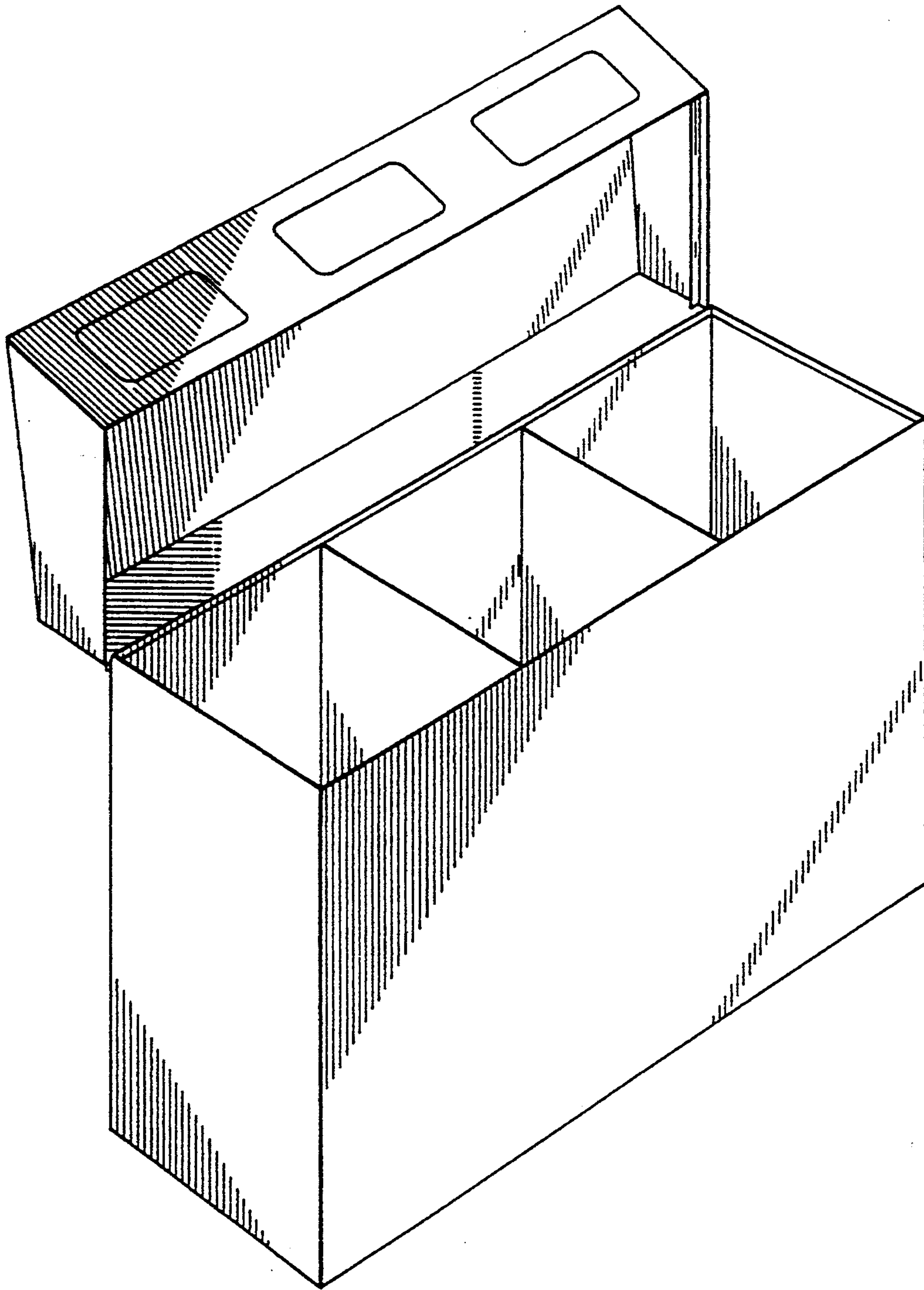


FIG. 8

