



US00D356418S

United States Patent [19]

[11] Patent Number: **Des. 356,418**

Makimura

[45] Date of Patent: **** Mar. 14, 1995**

[54] UPRIGHT GUIDE POST FOR A LIFTING CARRIAGE

[56] References Cited

U.S. PATENT DOCUMENTS

[75] Inventor: **Katsuyoshi Makimura**, Kobe, Japan

D. 346,260 4/1994 Silbersky et al. D34/35
5,020,641 6/1991 Olsen et al. 187/95

[73] Assignee: **Daifuku Co., Ltd.**, Osaka, Japan

Primary Examiner—Doris Clark
Attorney, Agent, or Firm—Schweitzer Cornman & Gross

[**] Term: **14 Years**

[57] CLAIM

[21] Appl. No.: **5,150**

The ornamental design for an upright guide post for a lifting carriage, as shown and described.

DESCRIPTION

[22] Filed: **Feb. 24, 1993**

FIG. 1 is a top view;

[52] U.S. Cl. **D34/35; D25/124**

FIG. 2 is a front view;

[58] Field of Search **D25/124; D34/28, 33,**
D34/35; 187/94, 95, 2, 6, 9; 52/745.17, 731.1,
731.2

FIG. 3 is a rear view;

FIG. 4 is an end view from the right side of FIG. 2; and,

FIG. 5 is a perspective view from the rear.

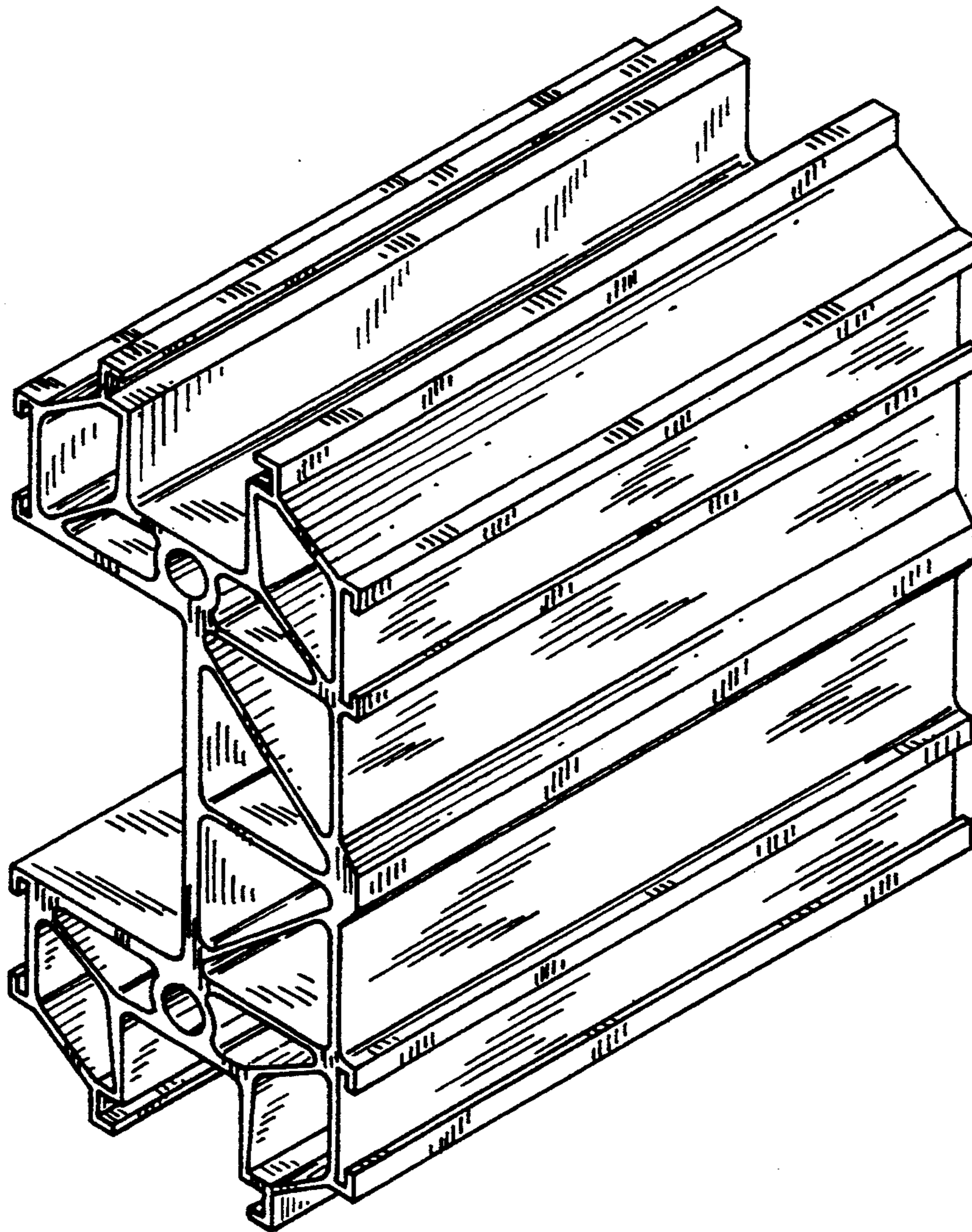


FIG. 1

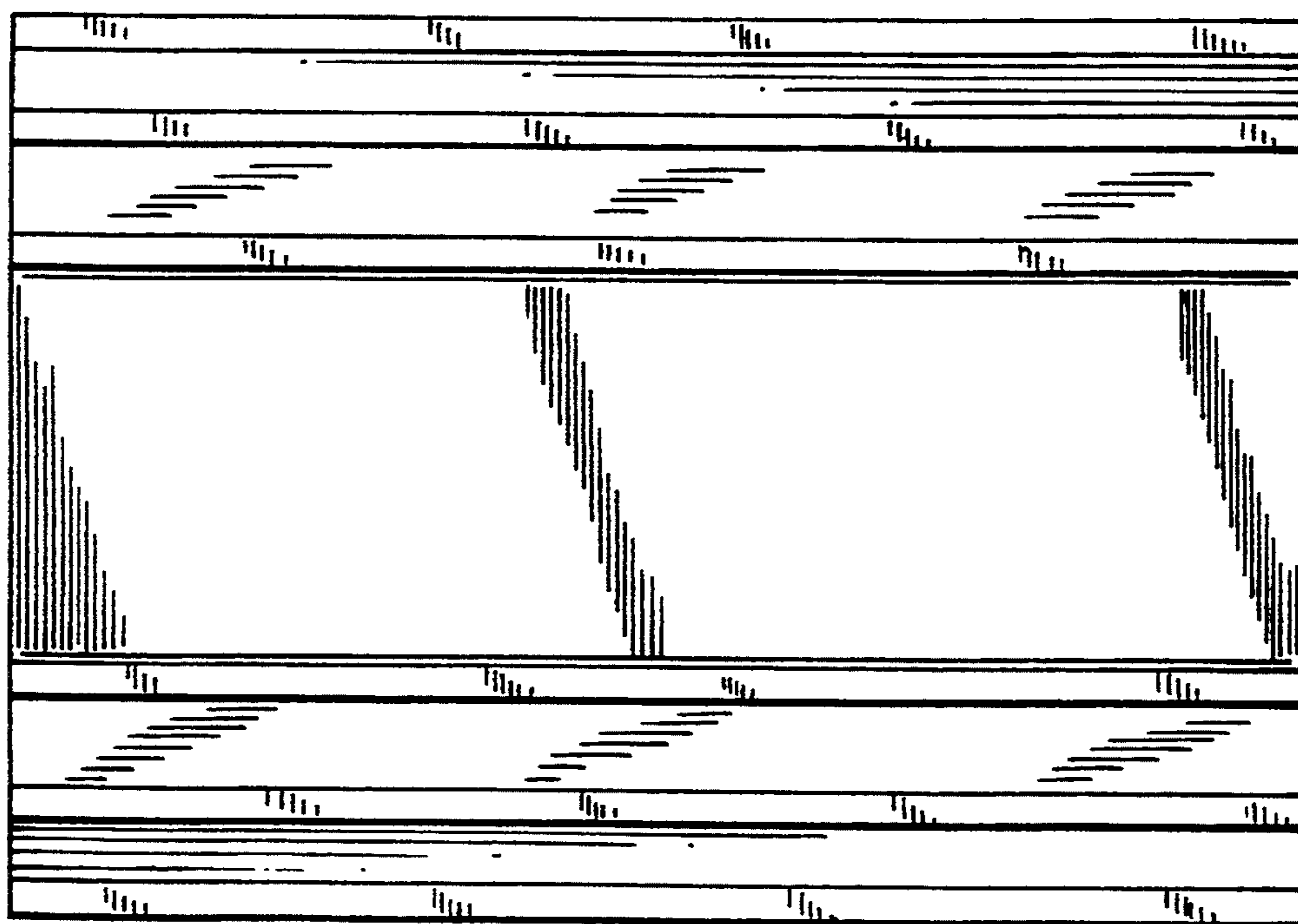
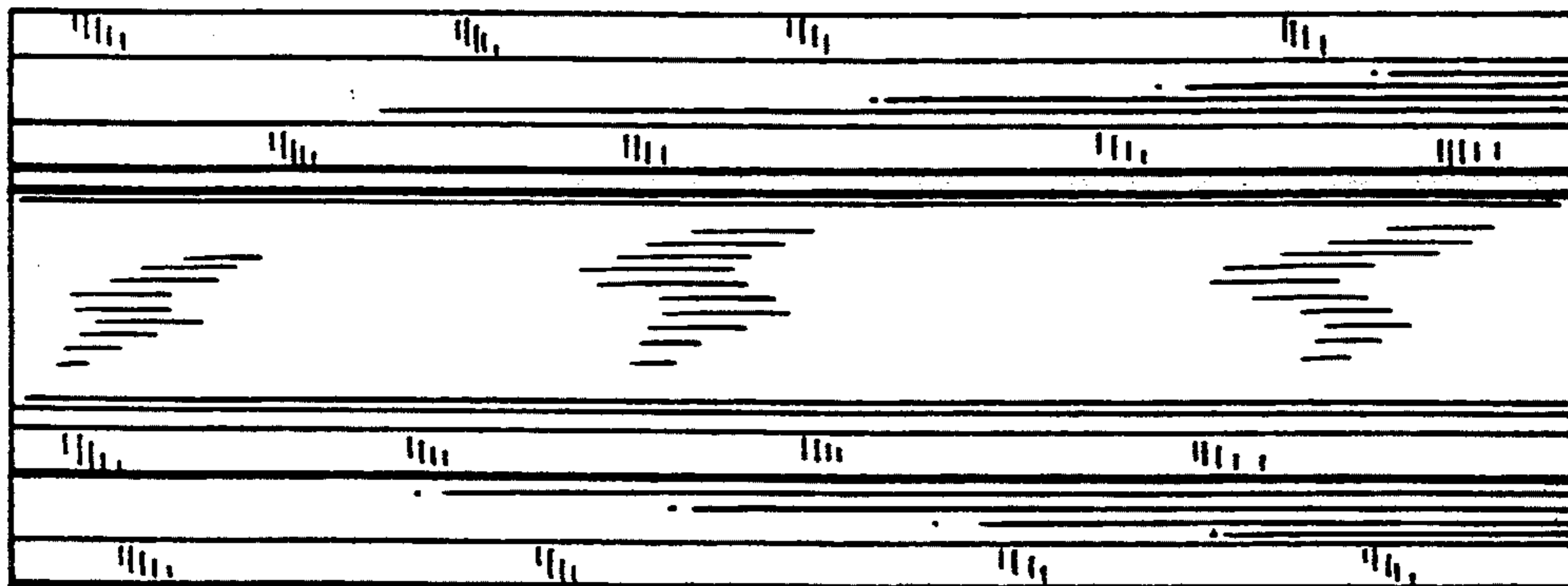


FIG. 2

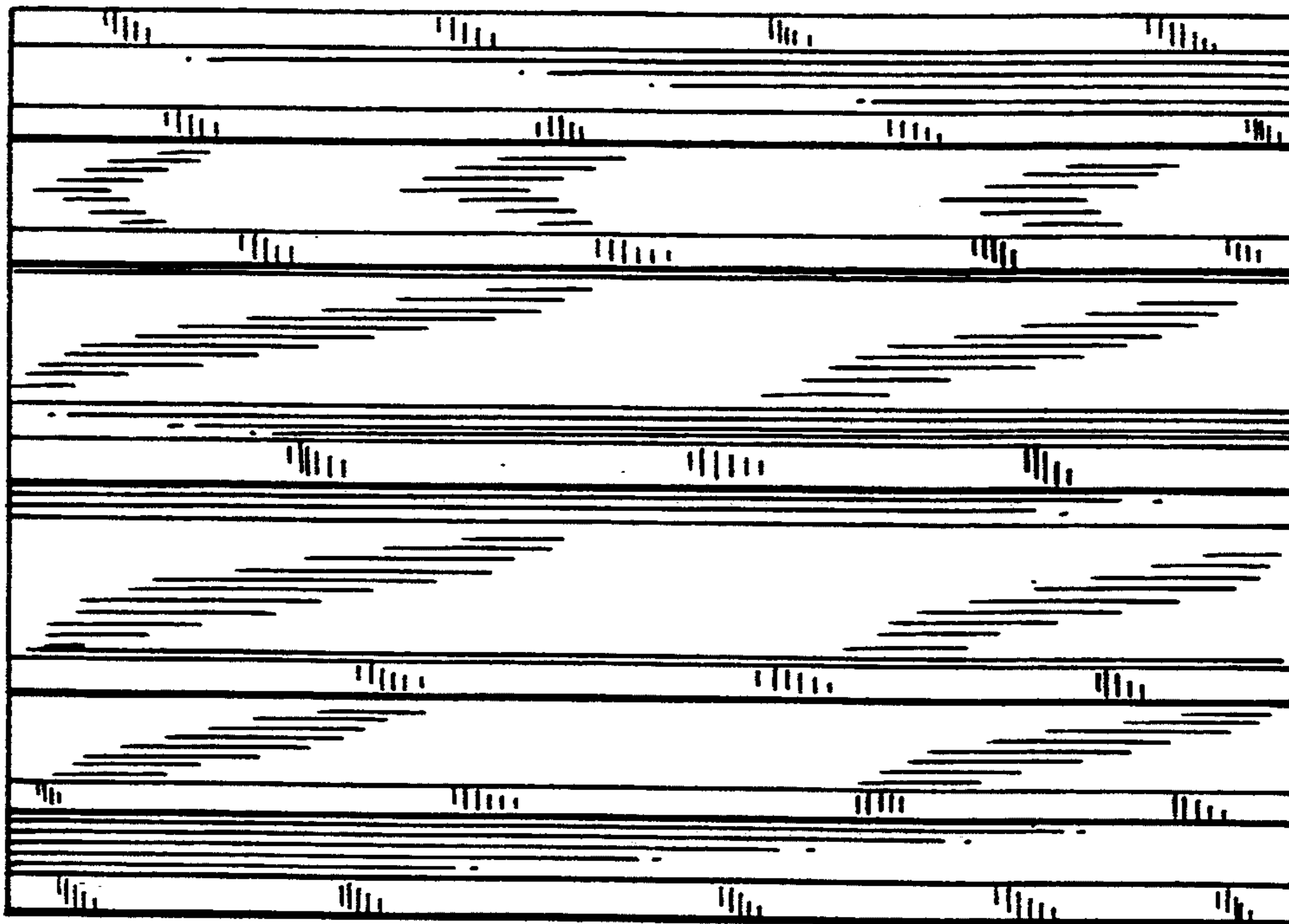


FIG. 3

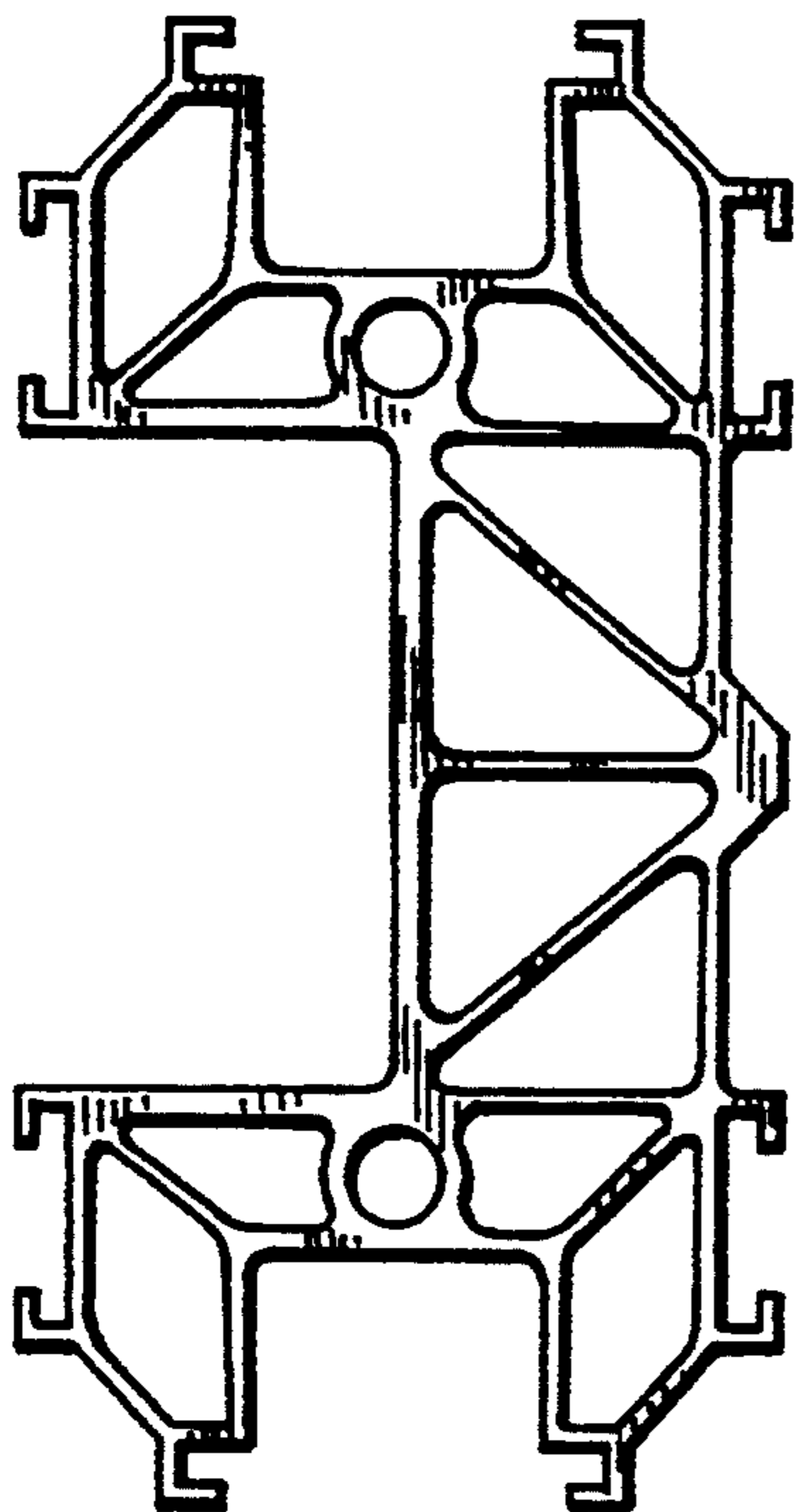


FIG. 4

FIG. 5

