



US00D356416S

United States Patent [19]

[11] Patent Number: **Des. 356,416**

Winslow et al.

[45] Date of Patent: **** Mar. 14, 1995**

[54] **MOBILE HOME SUPPORT STANCHION WITH BASE**

4,684,097 8/1987 Cox 248/357
5,152,108 10/1992 Madl 52/DIG. 11

[76] Inventors: **Peter J. Winslow**, 923 Inverness Dr., Paso Robles, Calif. 93446; **Glenn F. Thole**, P.O. Box 209, Midpines, Calif. 95345

Primary Examiner—James M. Gandy
Assistant Examiner—Robin V. Taylor
Attorney, Agent, or Firm—Daniel C. McKown

[**] Term: **14 Years**

[57] **CLAIM**

The ornamental design for a mobile home support stanchion with base, as shown and described.

[21] Appl. No.: **19,870**

DESCRIPTION

[22] Filed: **Mar. 11, 1994**

[52] U.S. Cl. **D34/31**

[58] Field of Search D34/28, 31, 33;
D12/101, 106; 254/2 R, 8 R, 84, 93 H, 93 R, 93 VA, 94, 11, 133, 134, 418, 419; 248/188.1, 354.1, 354.3, 354.5; D6/495

FIG. 1 is a top plan view of a mobile home support stanchion with base showing our new design; FIG. 2 is a front elevational view thereof; FIG. 3 is a bottom plan view thereof; FIG. 4 is a left side elevational view thereof; and, FIG. 5 is a top right rear perspective view thereof.

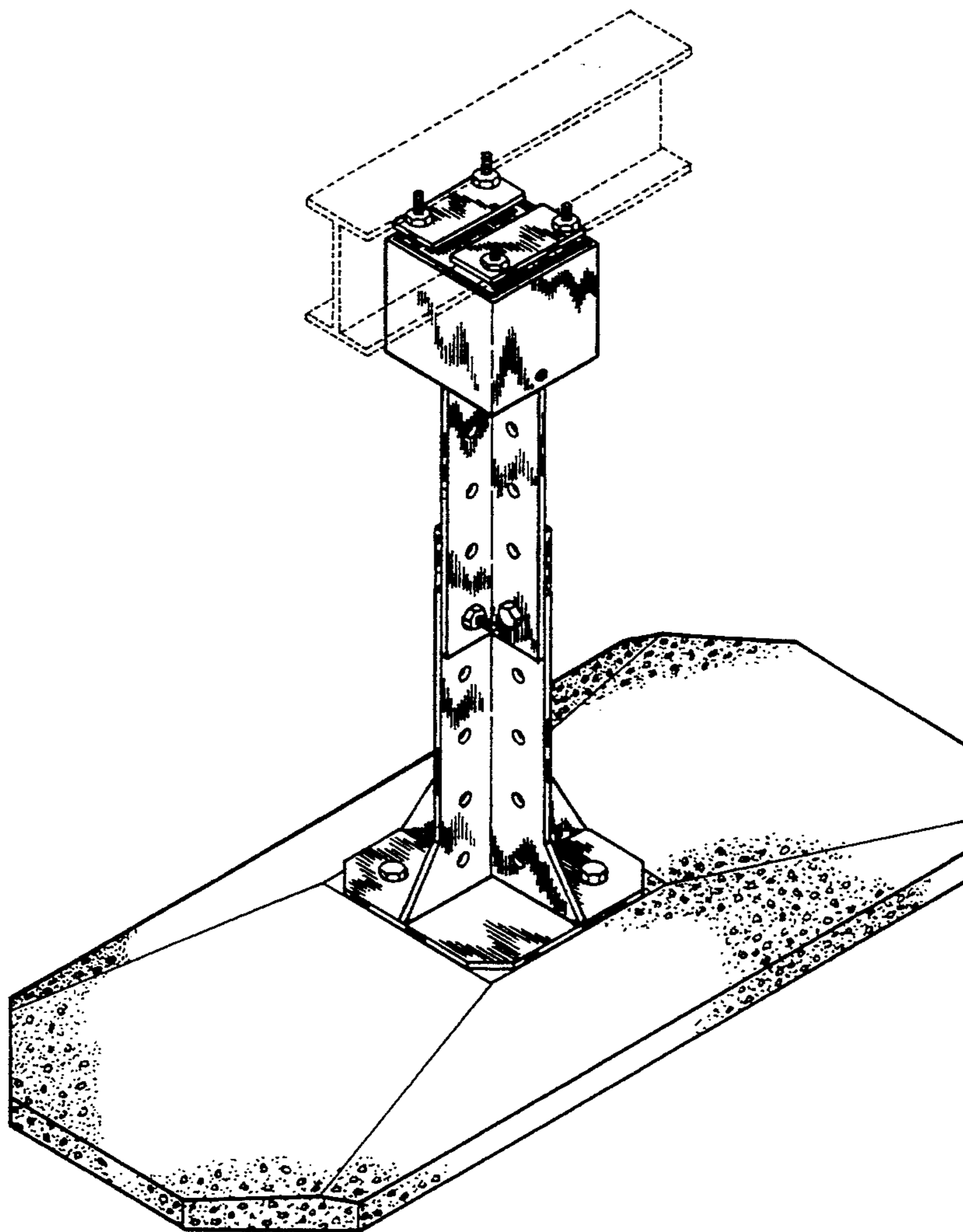
[56] **References Cited**

U.S. PATENT DOCUMENTS

D. 343,491 1/1994 Cusimano D34/31
2,895,696 7/1959 Mergenthaler 248/188.1

The rear elevational view is a mirror image of the front elevational view. The right side elevational view is a mirror image of the left side elevational view.

The broken line showing is for illustrative purposes only and forms no part of the claimed design.



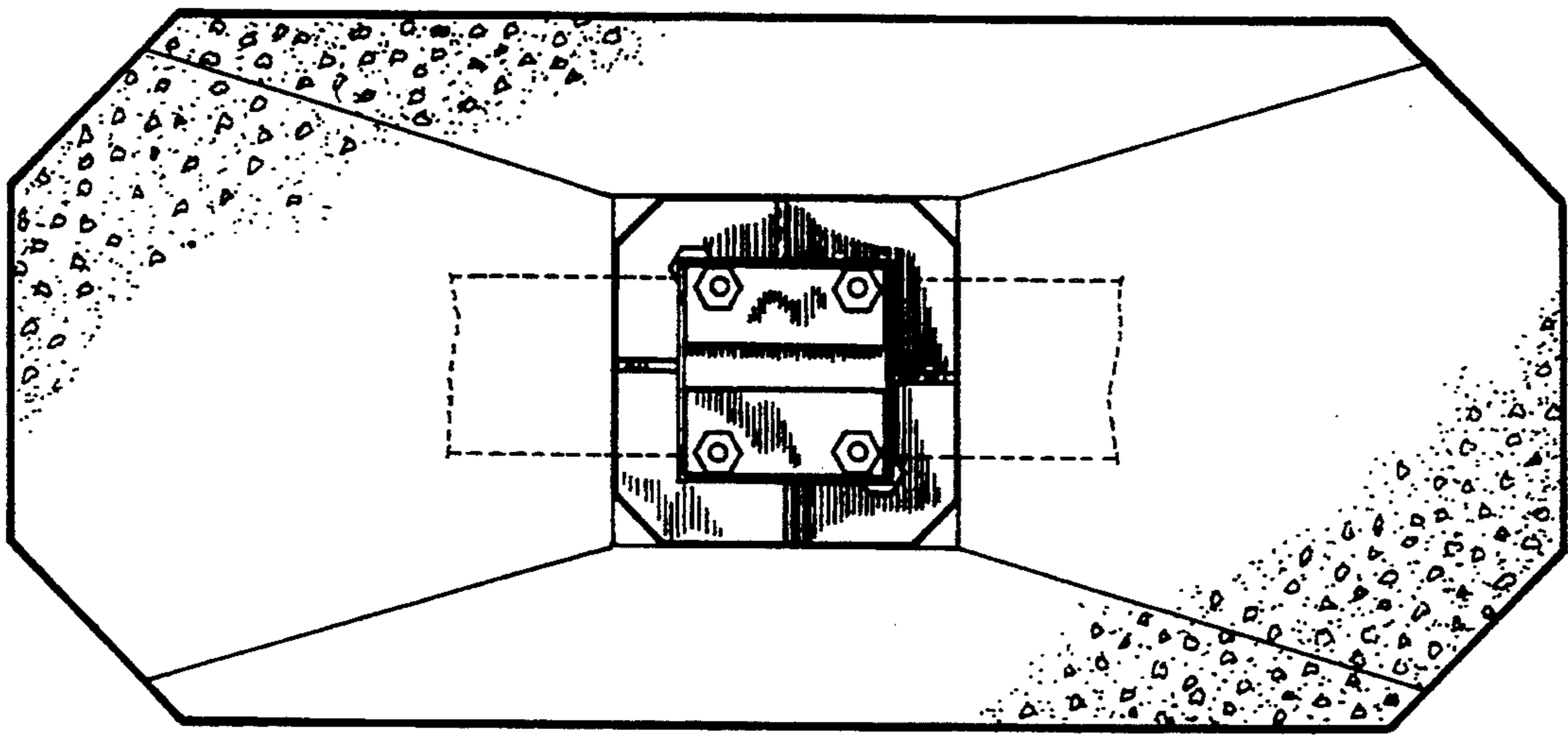


Fig. 1

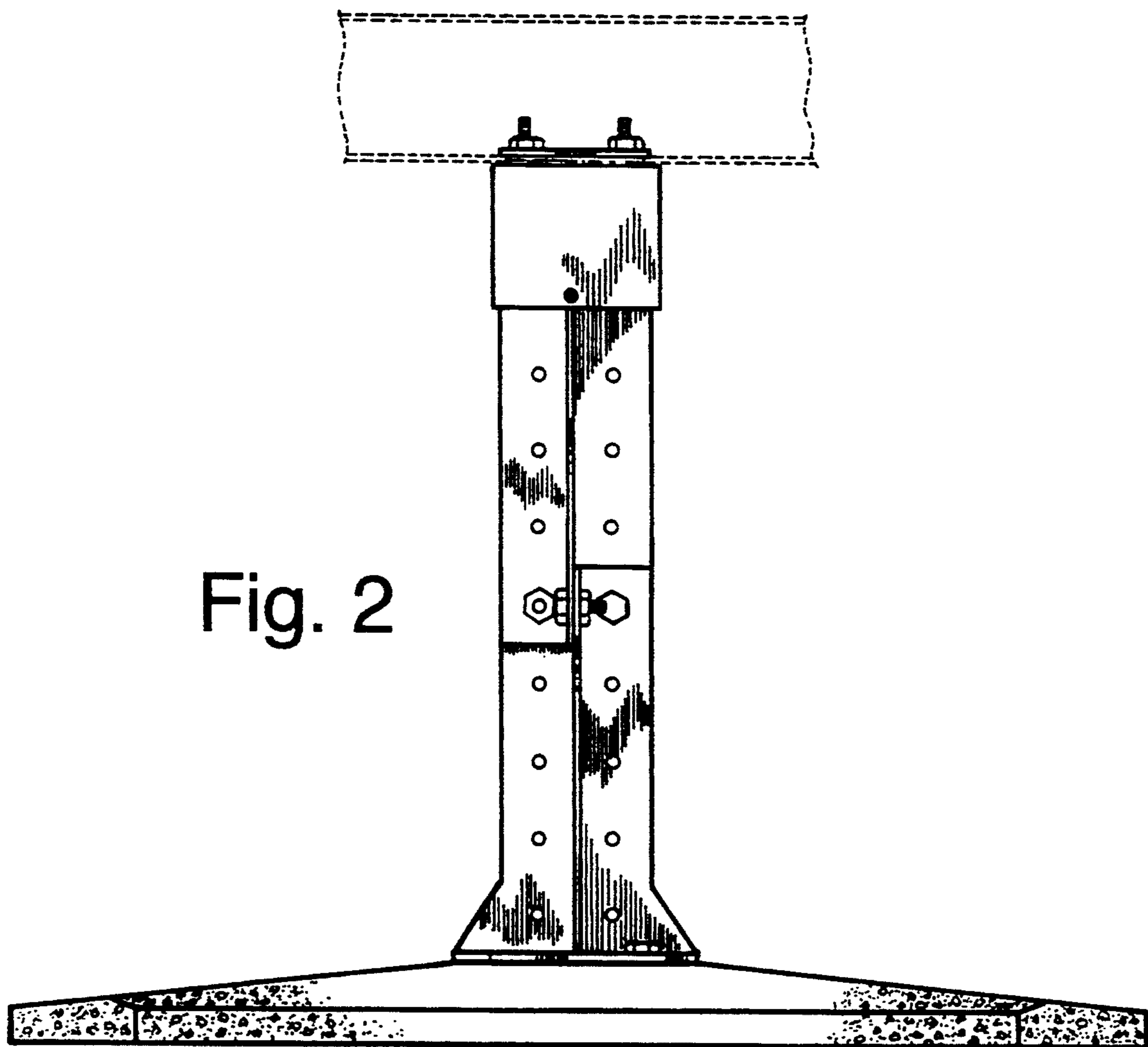


Fig. 2

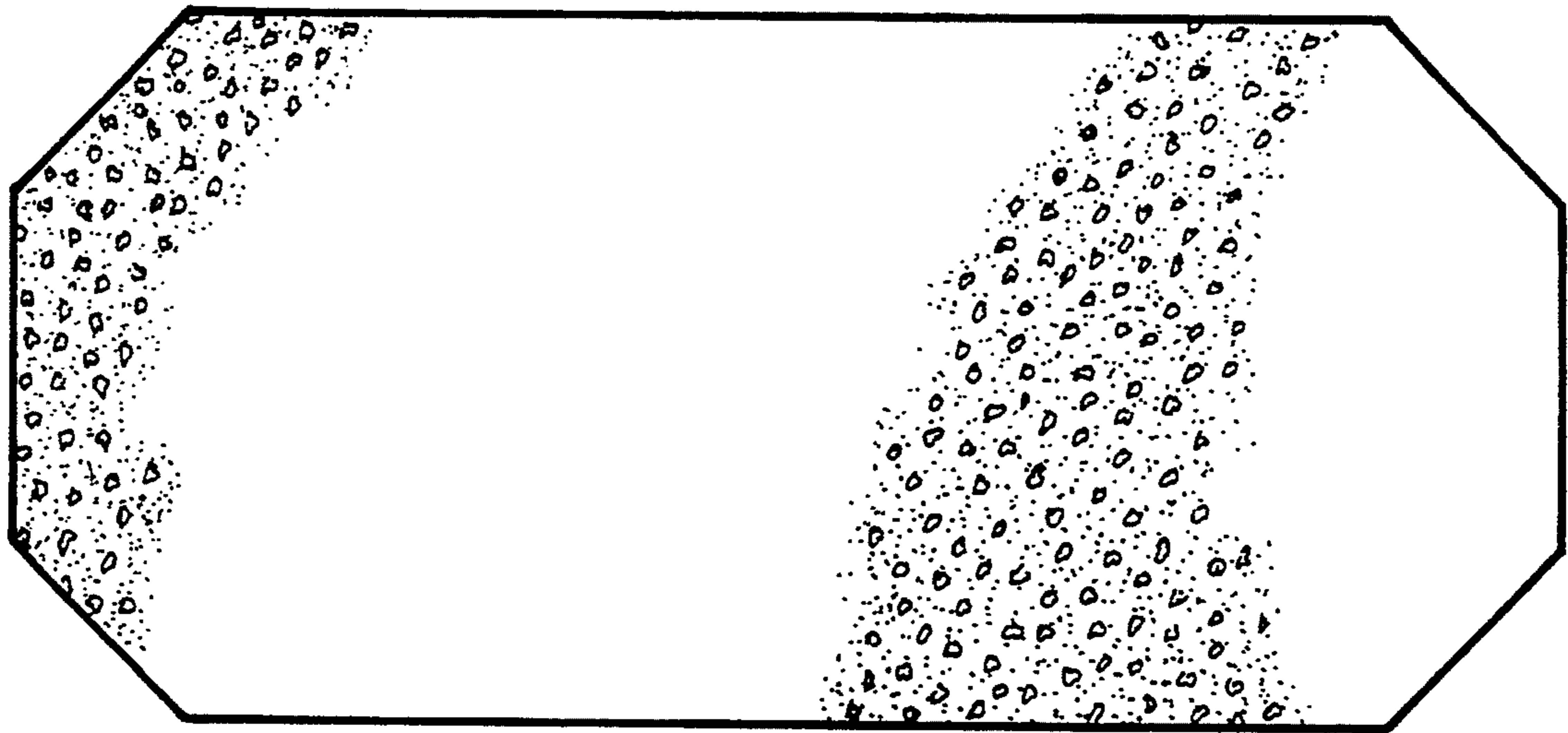


Fig. 3

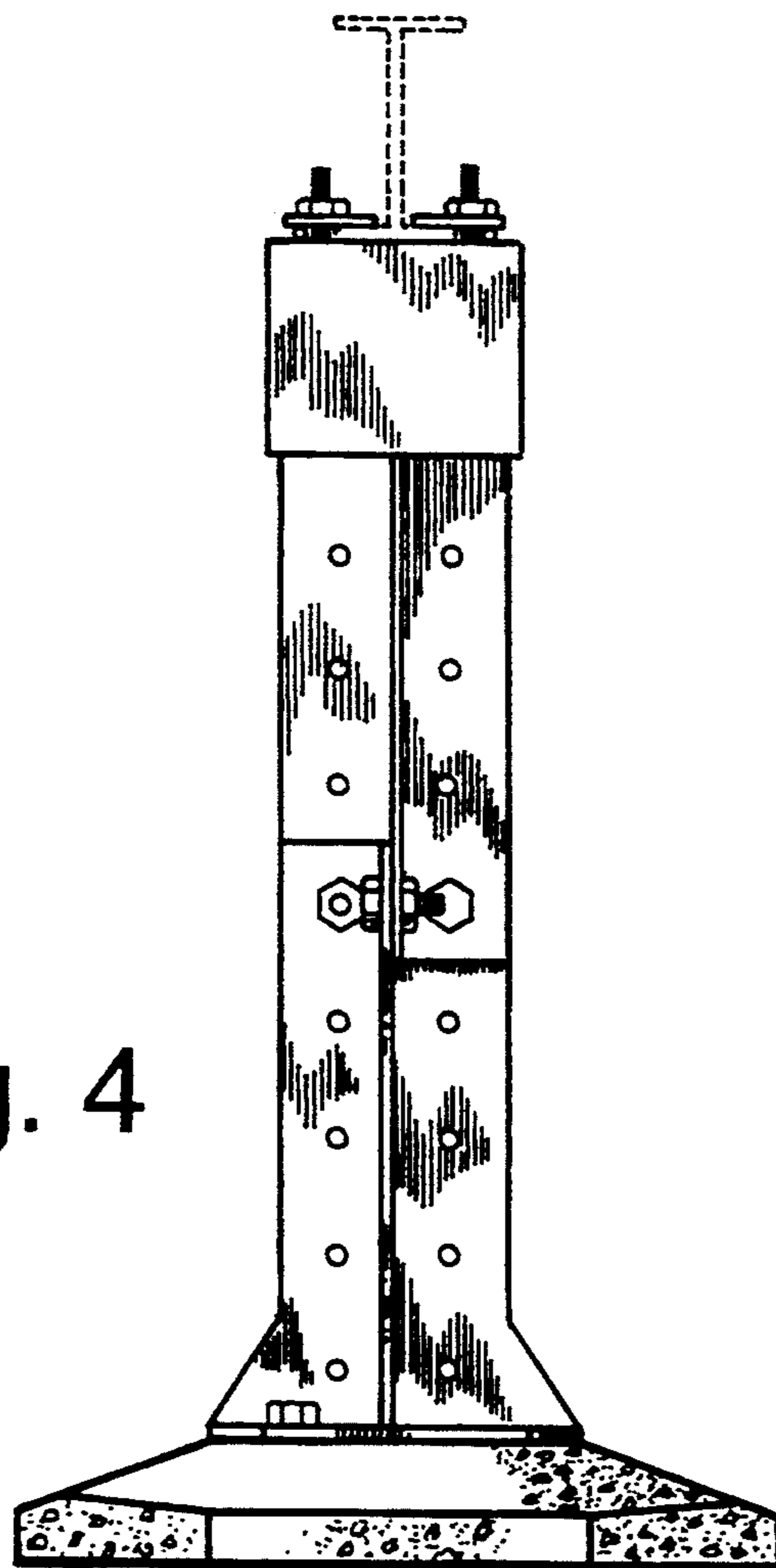


Fig. 4

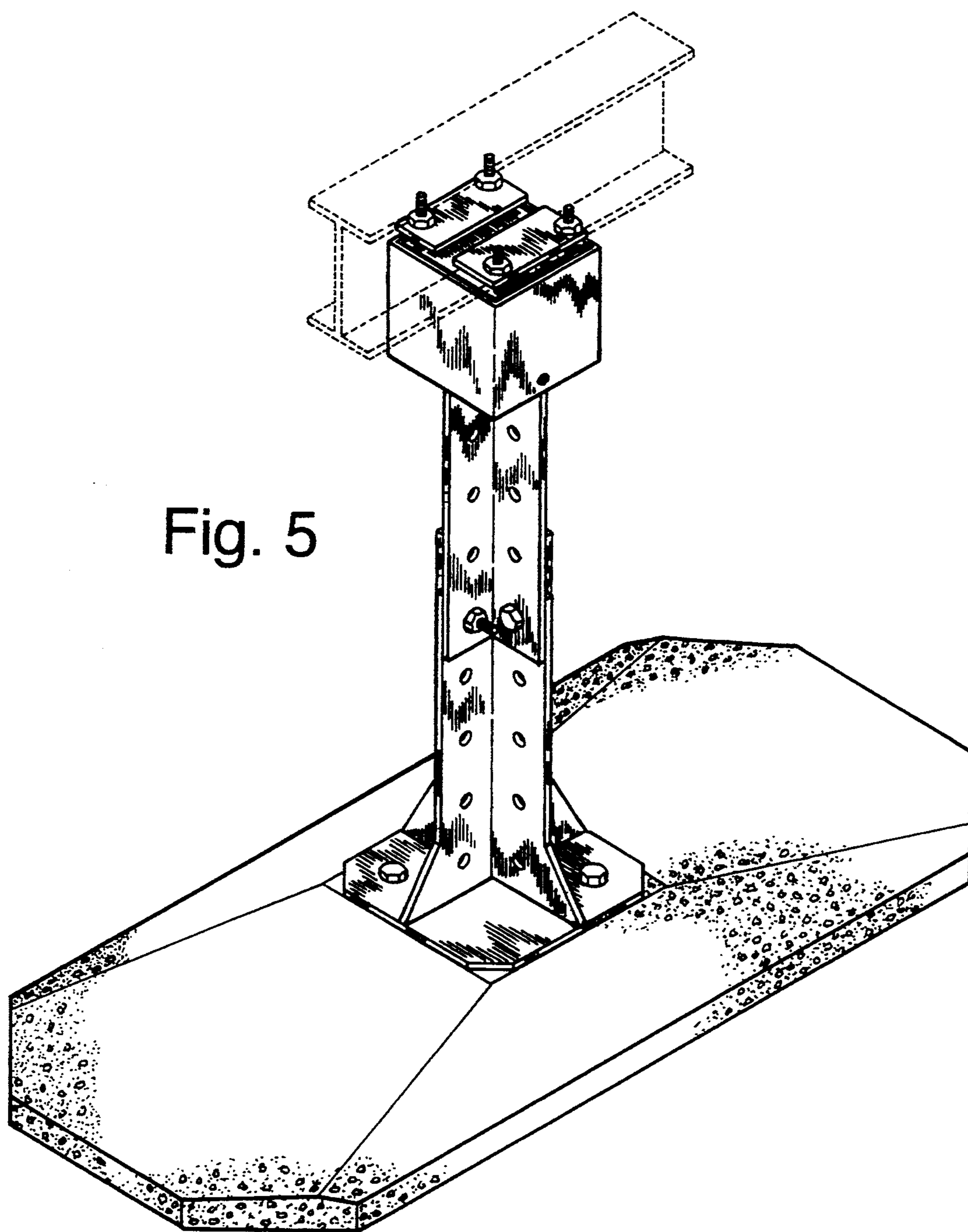


Fig. 5