



US00D356413S

# United States Patent [19]

[11] Patent Number: **Des. 356,413**

Tsai

[45] Date of Patent: **\*\* Mar. 14, 1995**

[54] LUGGAGE CART

5,178,244 1/1993 Liang ..... 280/47.26

[76] Inventor: **Cheng-Hsien Tsai**, No. 103, Da-Ming 1st Rd., Tien-Tzu Hsiang, Taichung Hsien, Taiwan, Prov. of China

*Primary Examiner*—Kay H. Chin  
*Attorney, Agent, or Firm*—Jacobson, Price, Holman & Stern

[\*\*] Term: **14 Years-**

[57] **CLAIM**

[21] Appl. No.: **25,165**

The ornamental design for a a luggage cart, as shown and described.

[22] Filed: **Jun. 28, 1994**

**DESCRIPTION**

[52] U.S. Cl. .... **D34/26; D34/23; D34/12; D34/24; D34/26; D34/23**

[58] Field of Search ..... 280/40, 652, 47.26, 280/47.24, 47.17, 47.18

FIG. 1 is a perspective view of a luggage cart showing my new design;

FIG. 2 is a front elevational view thereof;

FIG. 3 is a rear elevational view thereof;

FIG. 4 is a left side elevational view thereof;

FIG. 5 is a right side elevational view thereof;

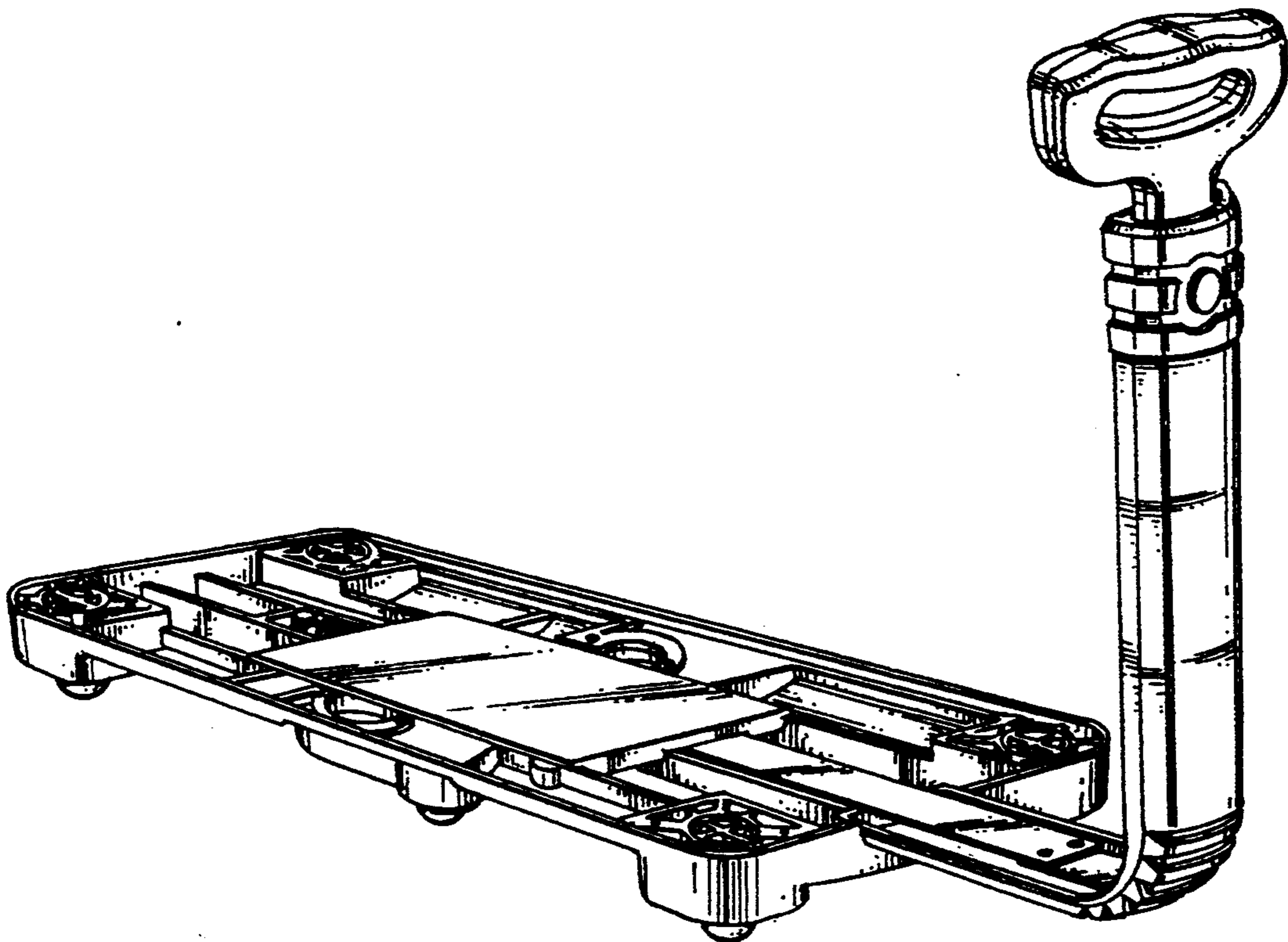
FIG. 6 is a top plan view thereof; and,

FIG. 7 is a bottom plan view thereof.

[56] **References Cited**

**U.S. PATENT DOCUMENTS**

D. 287,779 1/1987 Slany ..... D34/26



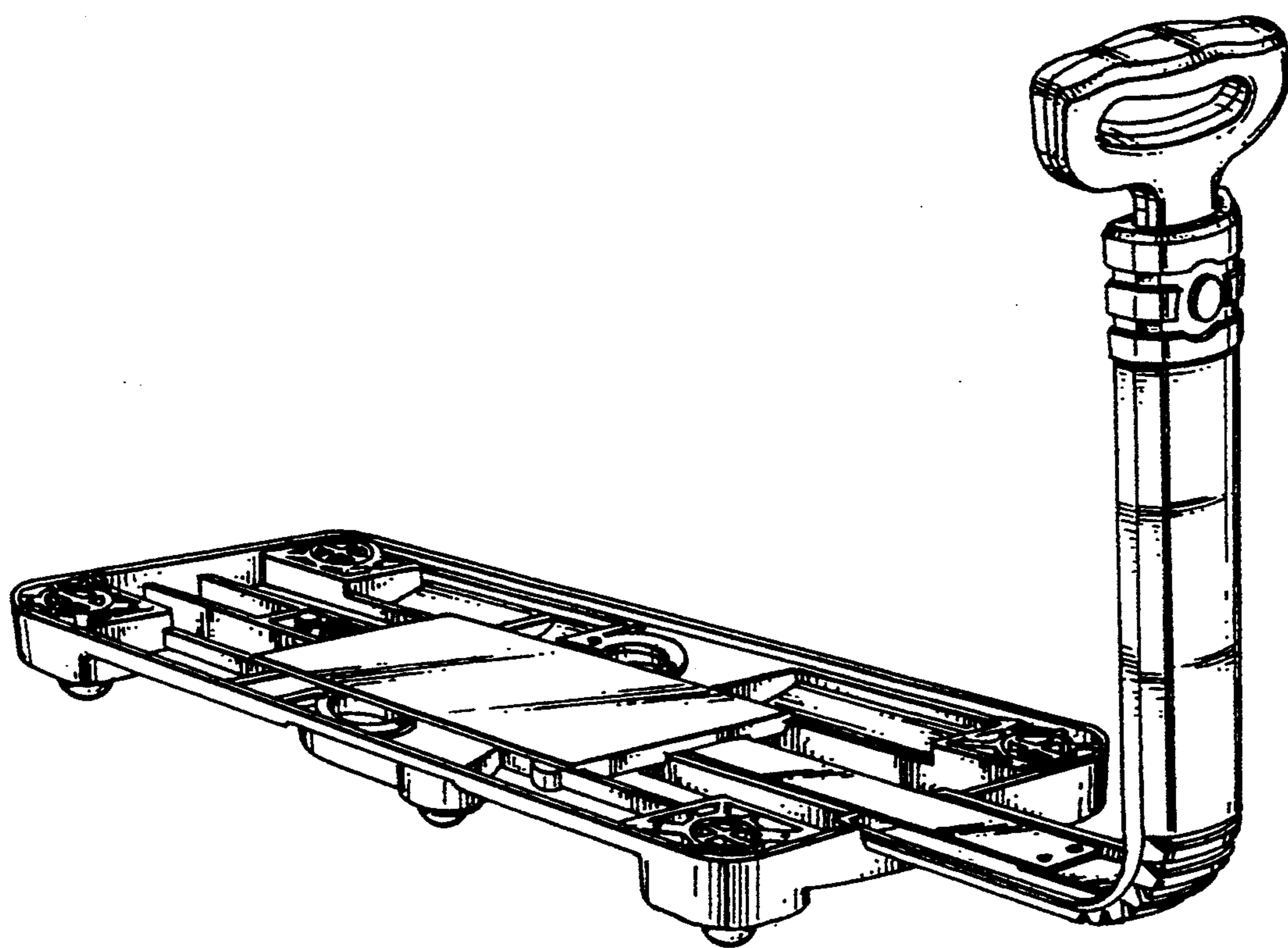


FIG. 1

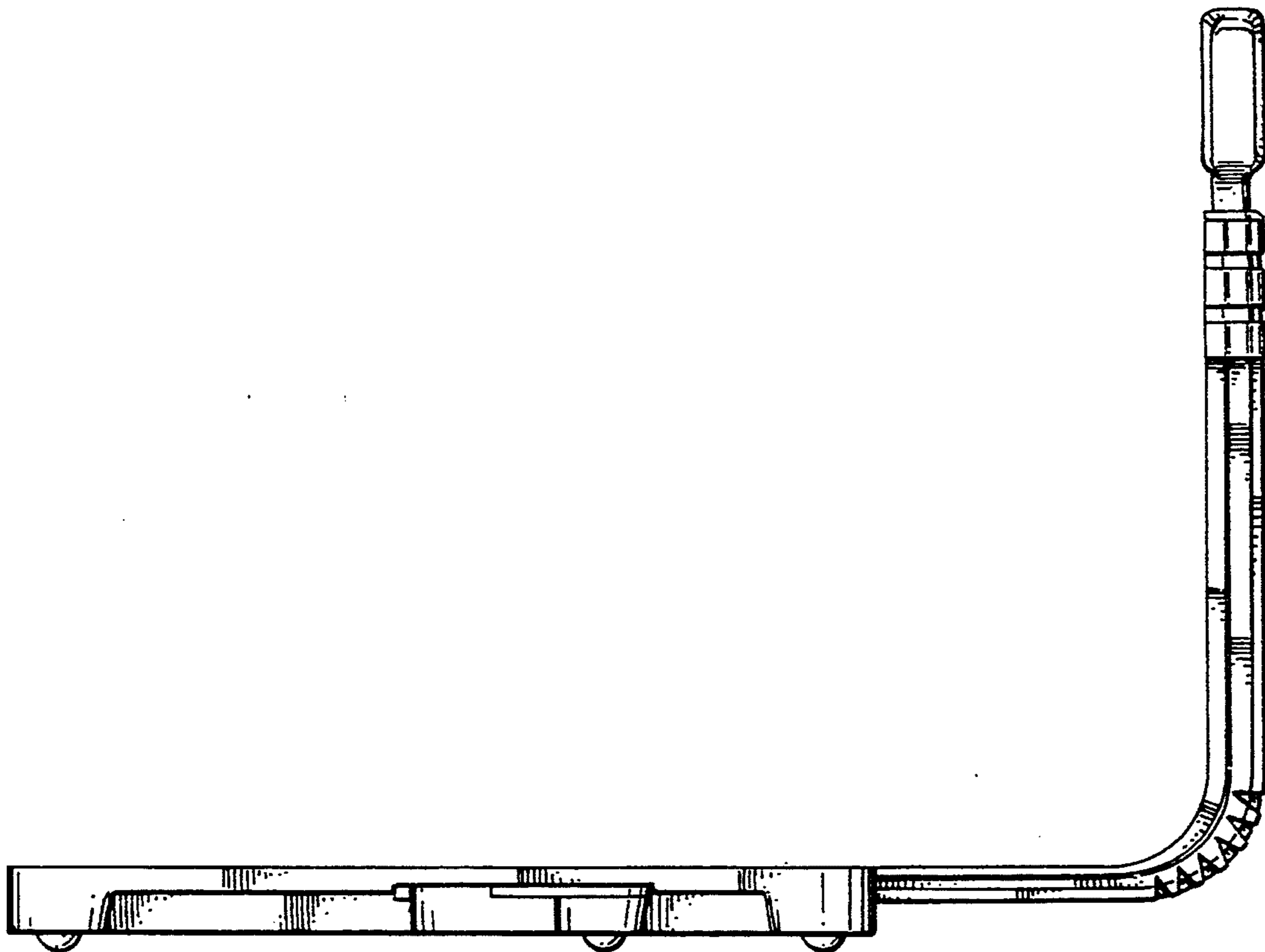


FIG. 2

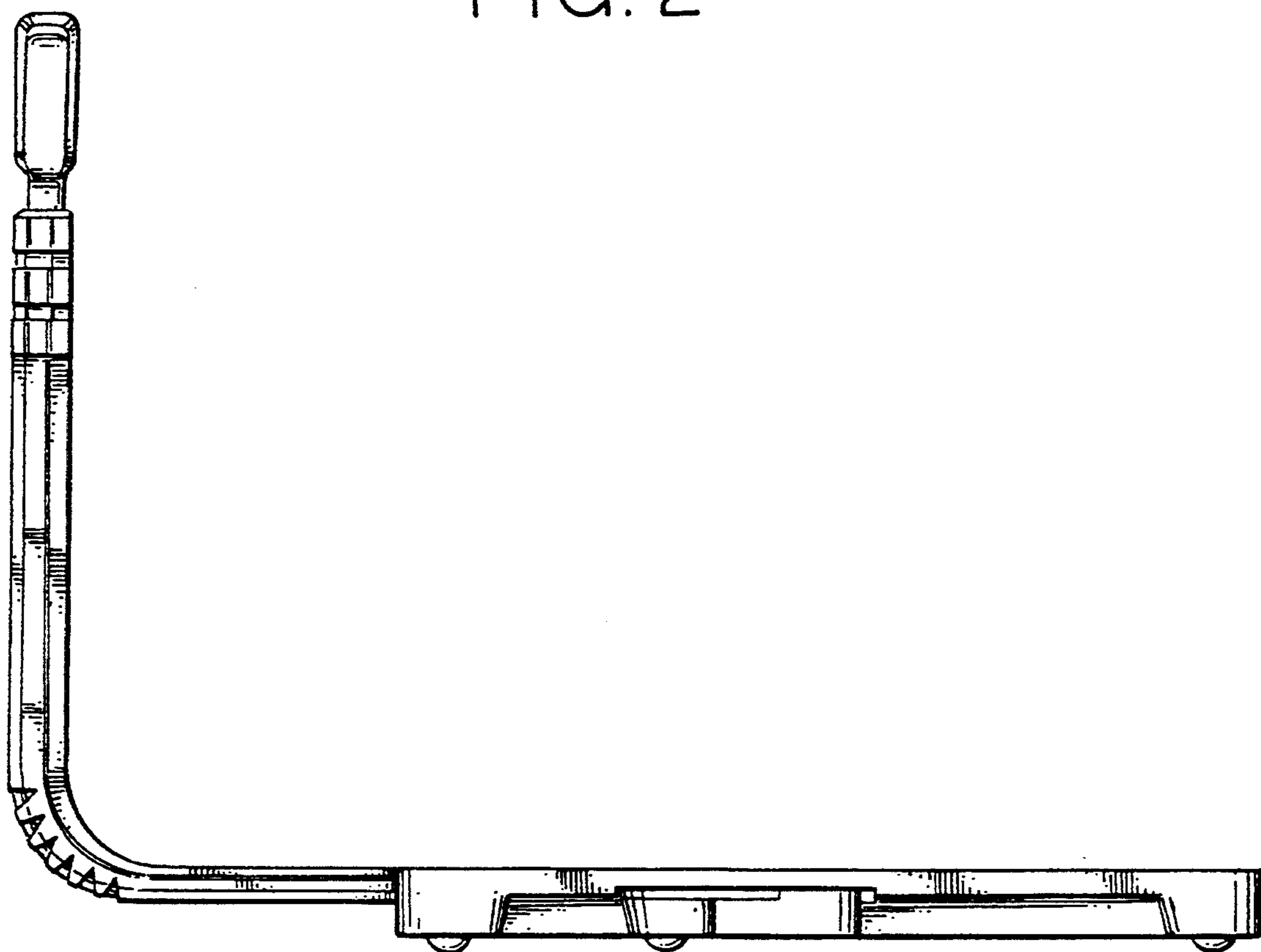


FIG. 3

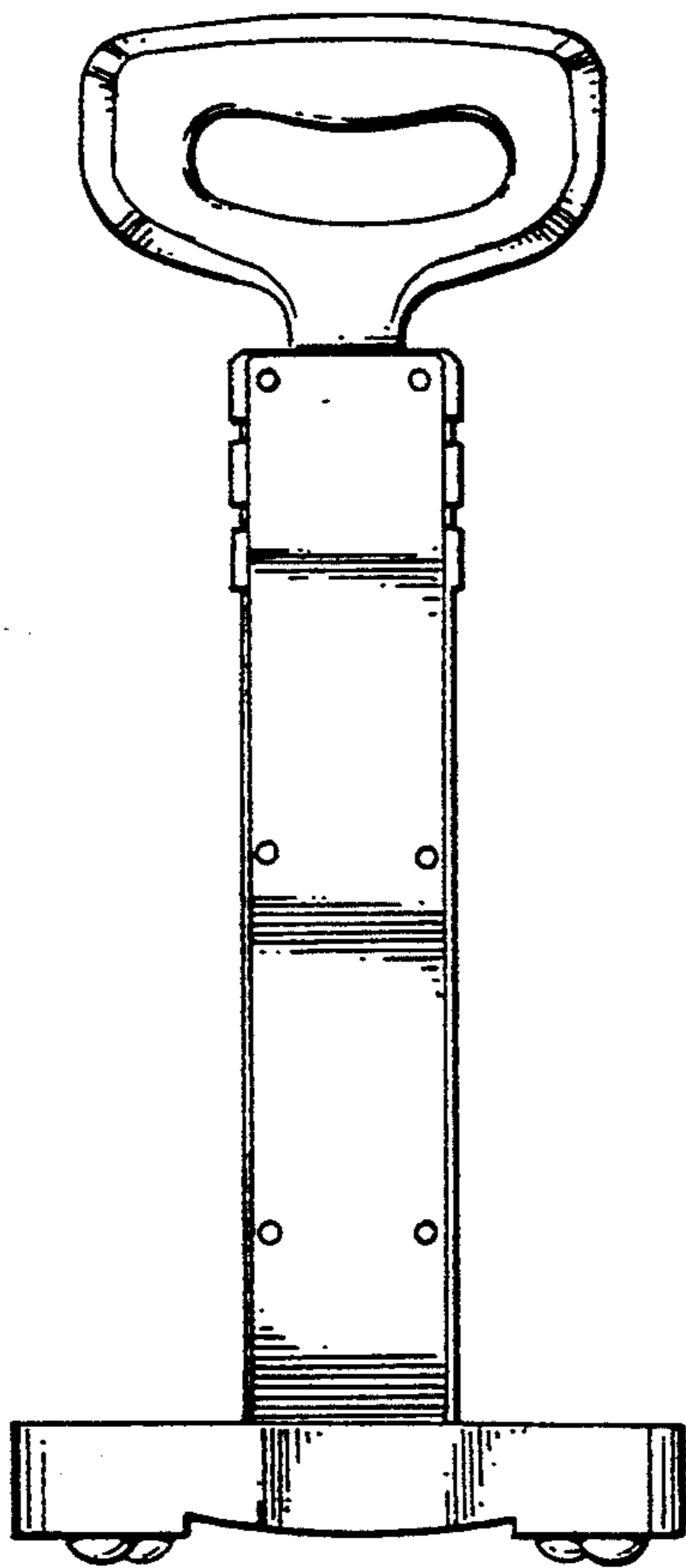


FIG. 4

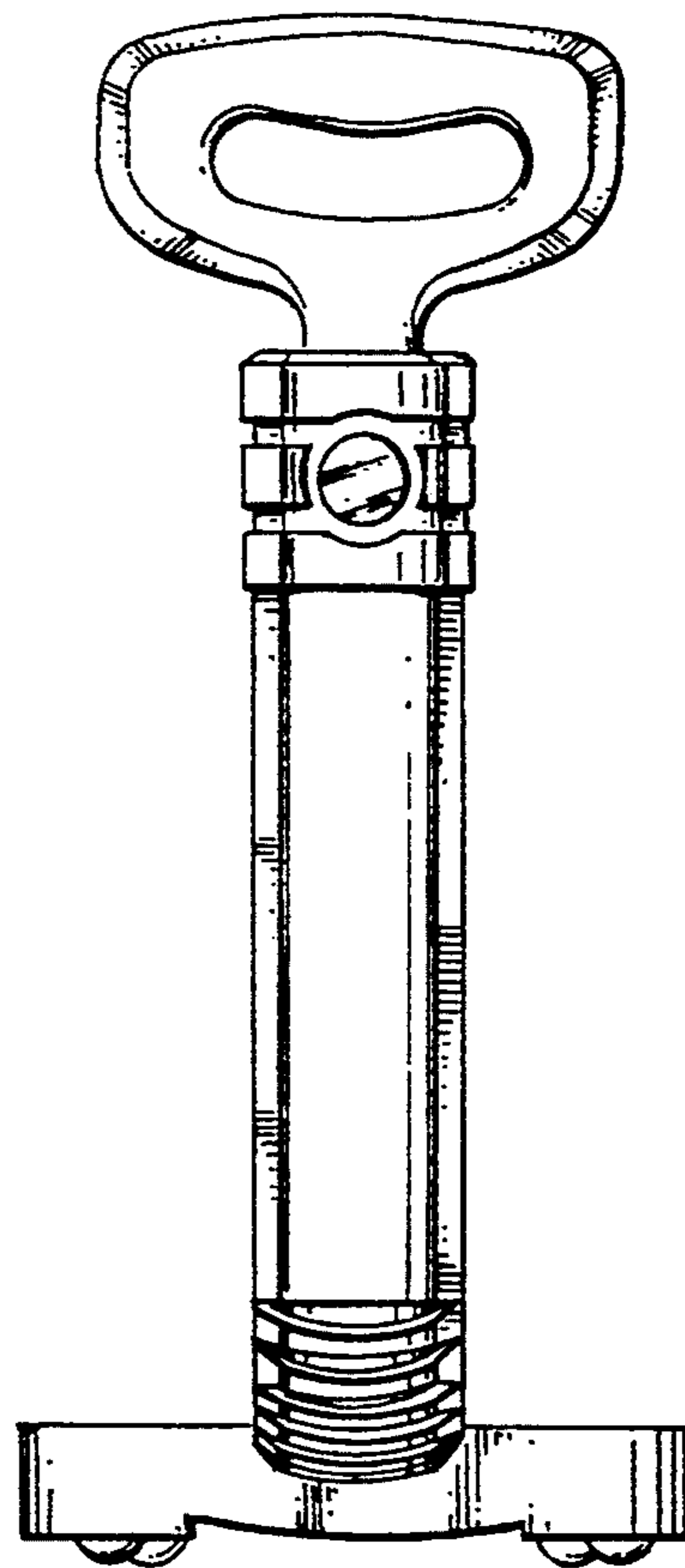


FIG. 5

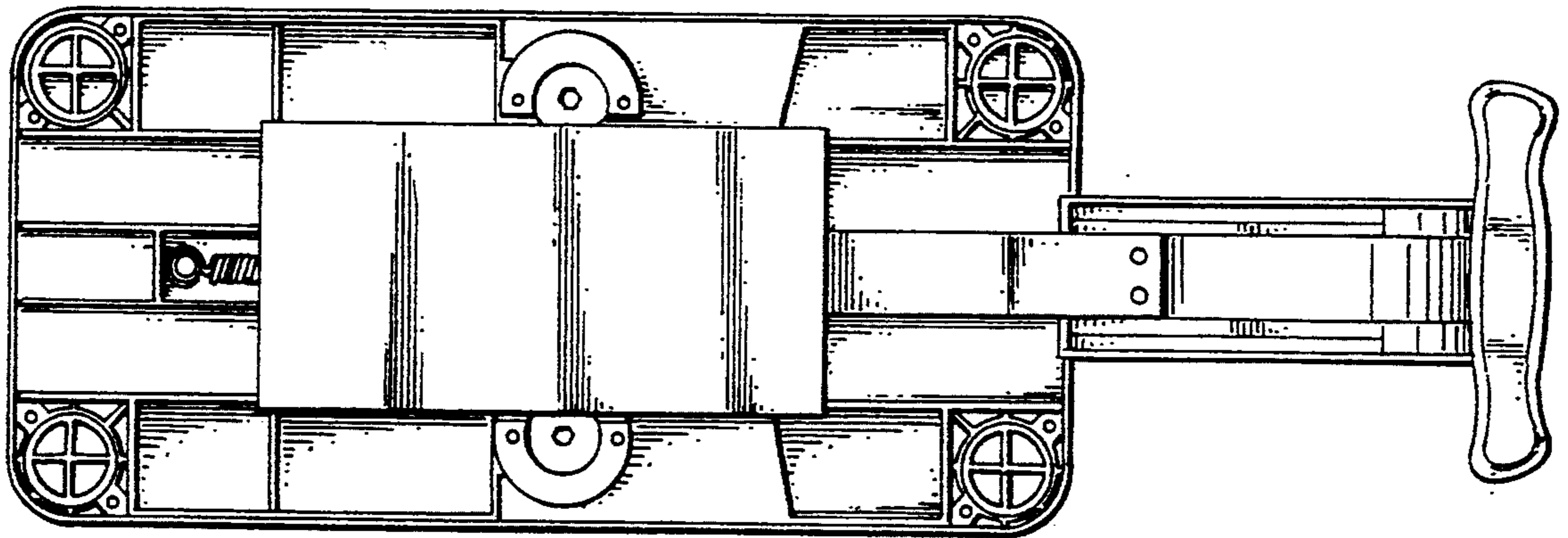


FIG. 6

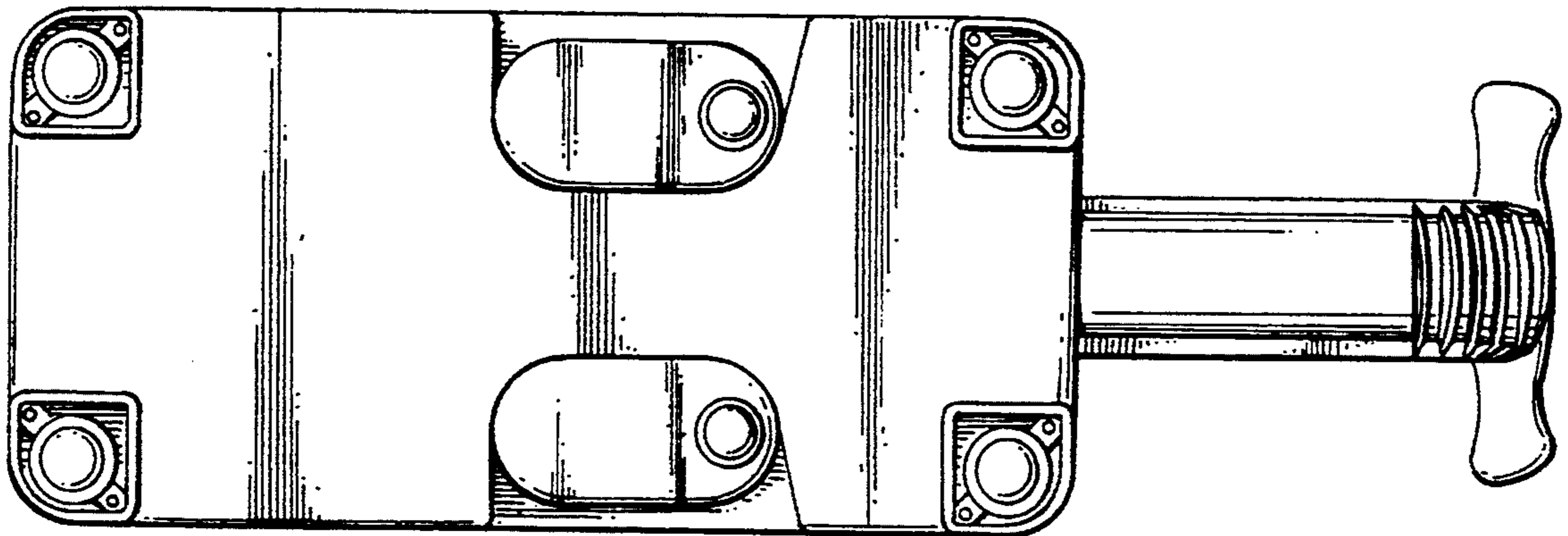


FIG. 7