



US00D356412S

# United States Patent [19]

Hensley, Jr.

[11] Patent Number: **Des. 356,412**

[45] Date of Patent: **\*\* Mar. 14, 1995**

[54] **ALL TERRAIN CREEPER**

[76] Inventor: **Clyde W. Hensley, Jr.**, P.O. Box 1696, Skyland, N.C. 28776

[\*\*] Term: **14 Years**

[21] Appl. No.: **19,230**

[22] Filed: **Feb. 25, 1994**

[52] U.S. Cl. .... **D34/23; D34/27**

[58] Field of Search ..... **D34/12, 23, 17; 280/79.11, 47.29, 32.6, 32.5**

[56] **References Cited**

**U.S. PATENT DOCUMENTS**

- D. 253,465 11/1979 Lobdell ..... D34/23
- D. 319,132 8/1991 Marquardt ..... D34/23

4,185,846 1/1980 Black .

*Primary Examiner*—Kay H. Chin  
*Attorney, Agent, or Firm*—Carter & Schnedler

[57] **CLAIM**

The ornamental design for an all terrain creeper, as shown and described.

**DESCRIPTION**

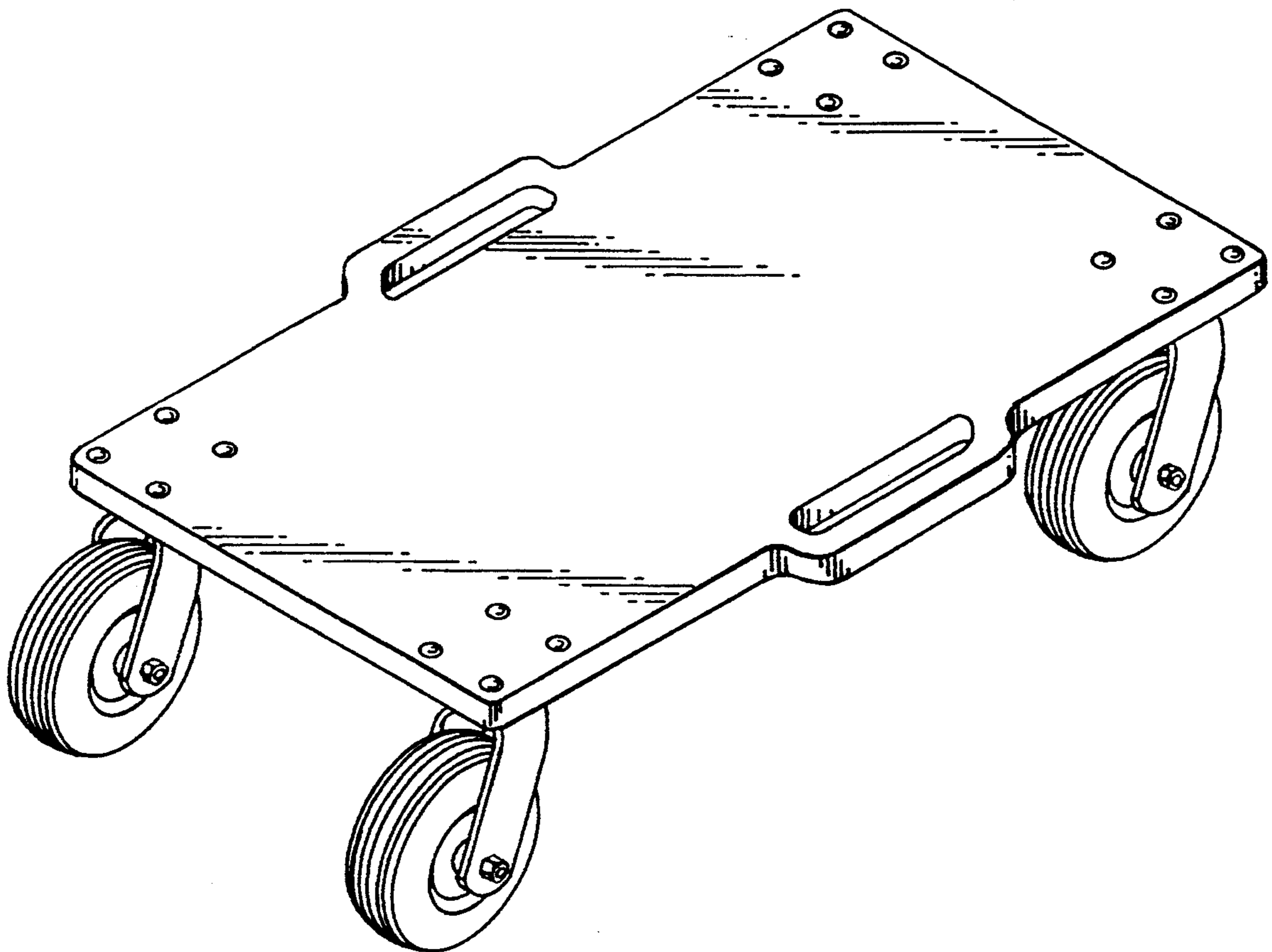
FIG. 1 is a perspective view of an all terrain creeper showing my new design with the wheels in position for forward movement;

FIG. 2 is a front and rear elevational view thereof;

FIG. 3 is a side elevational view thereof;

FIG. 4 is a top view thereof with the wheels rotated 90°; and,

FIG. 5 is a bottom view thereof.



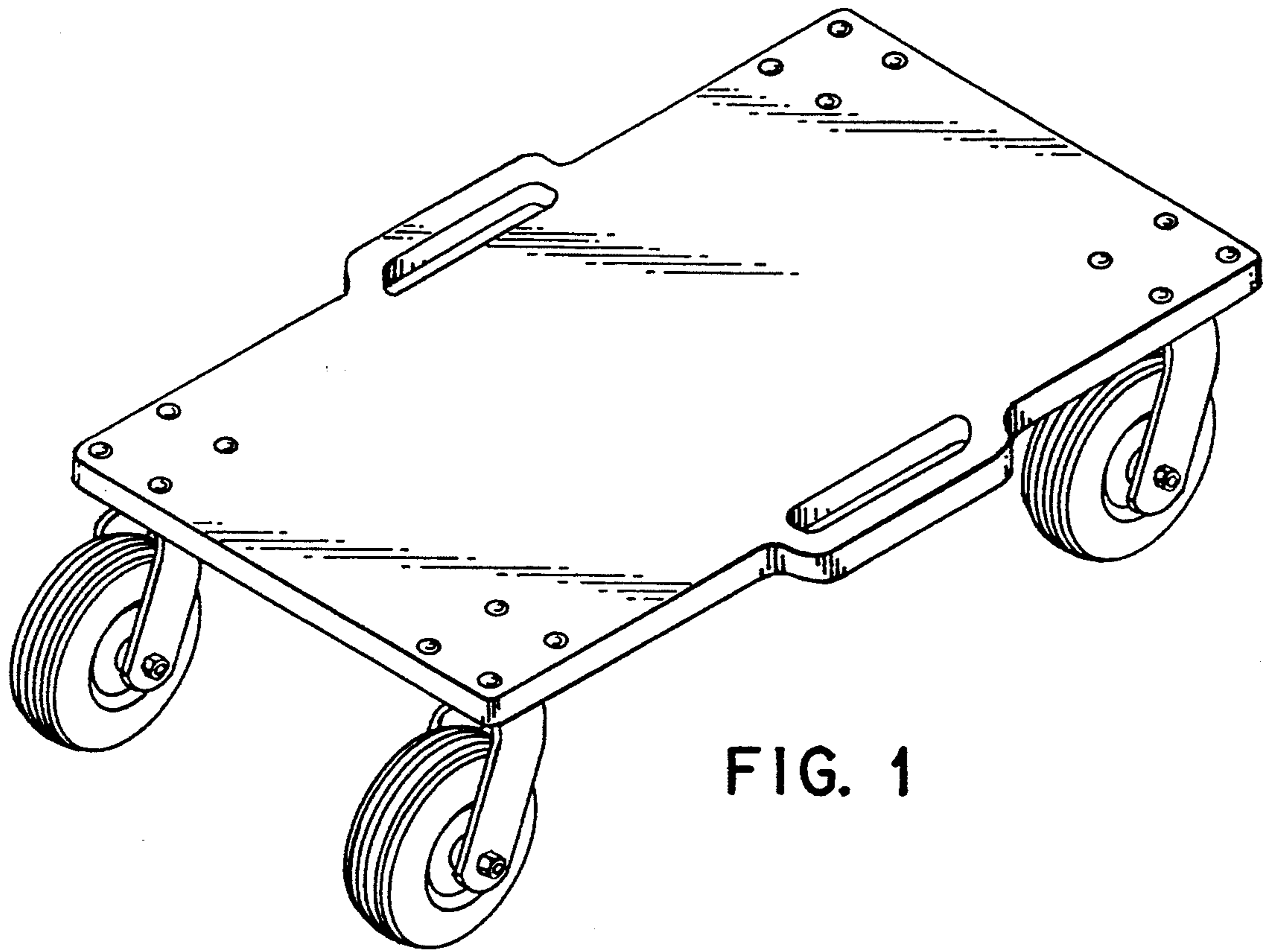


FIG. 1

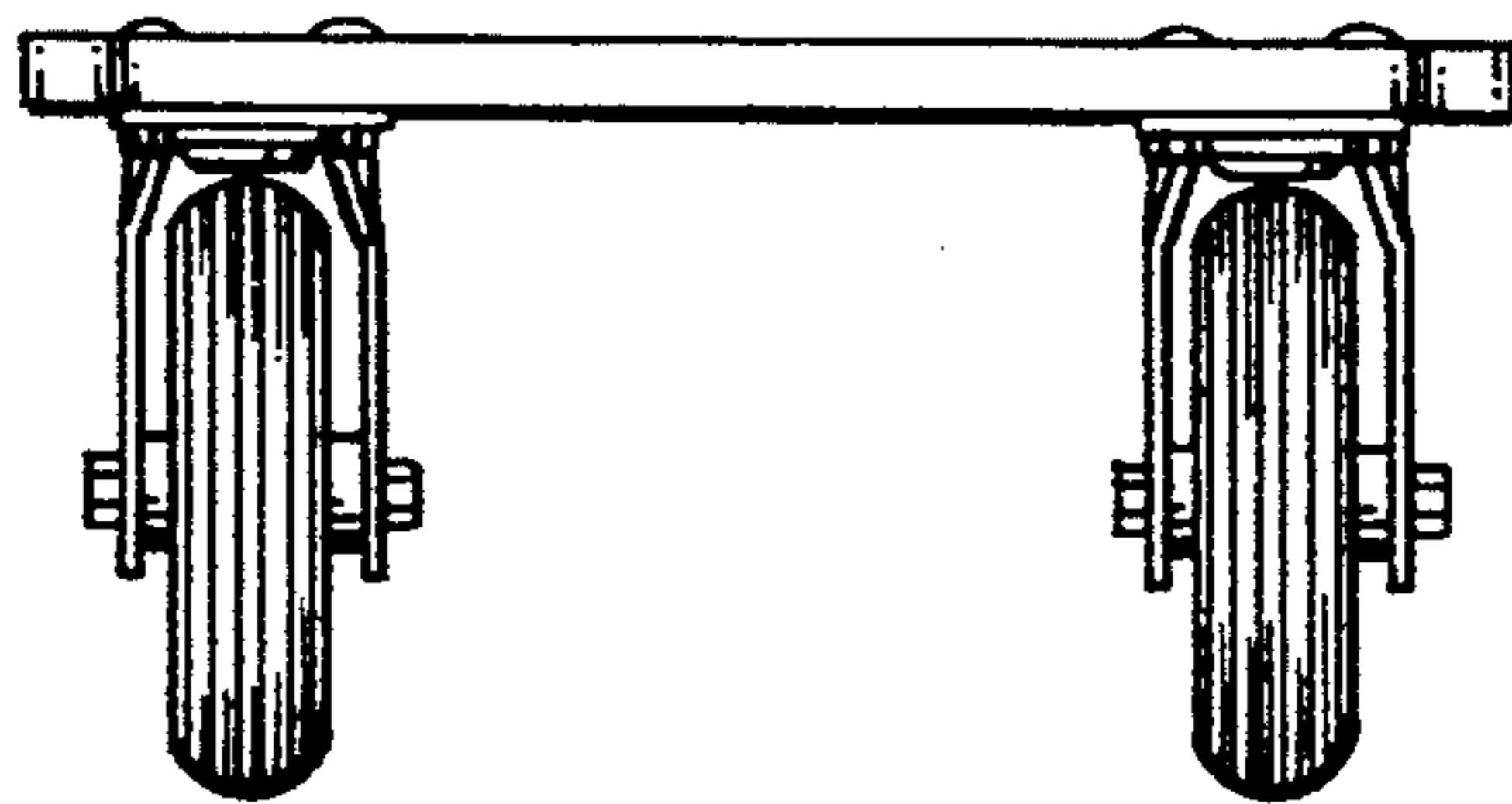


FIG. 2

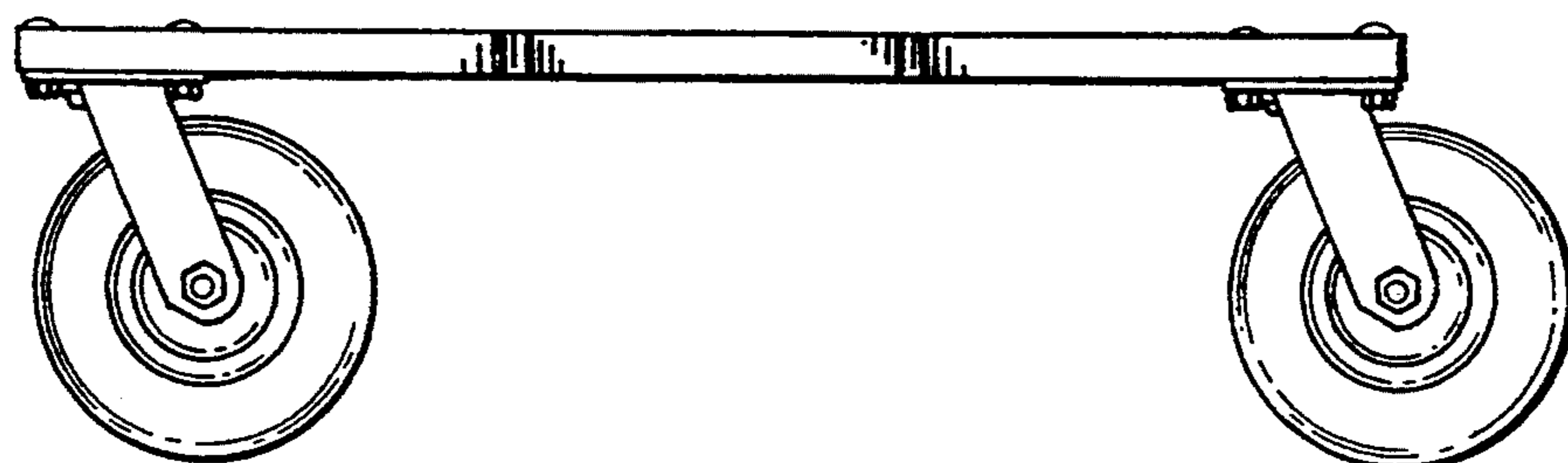


FIG. 3

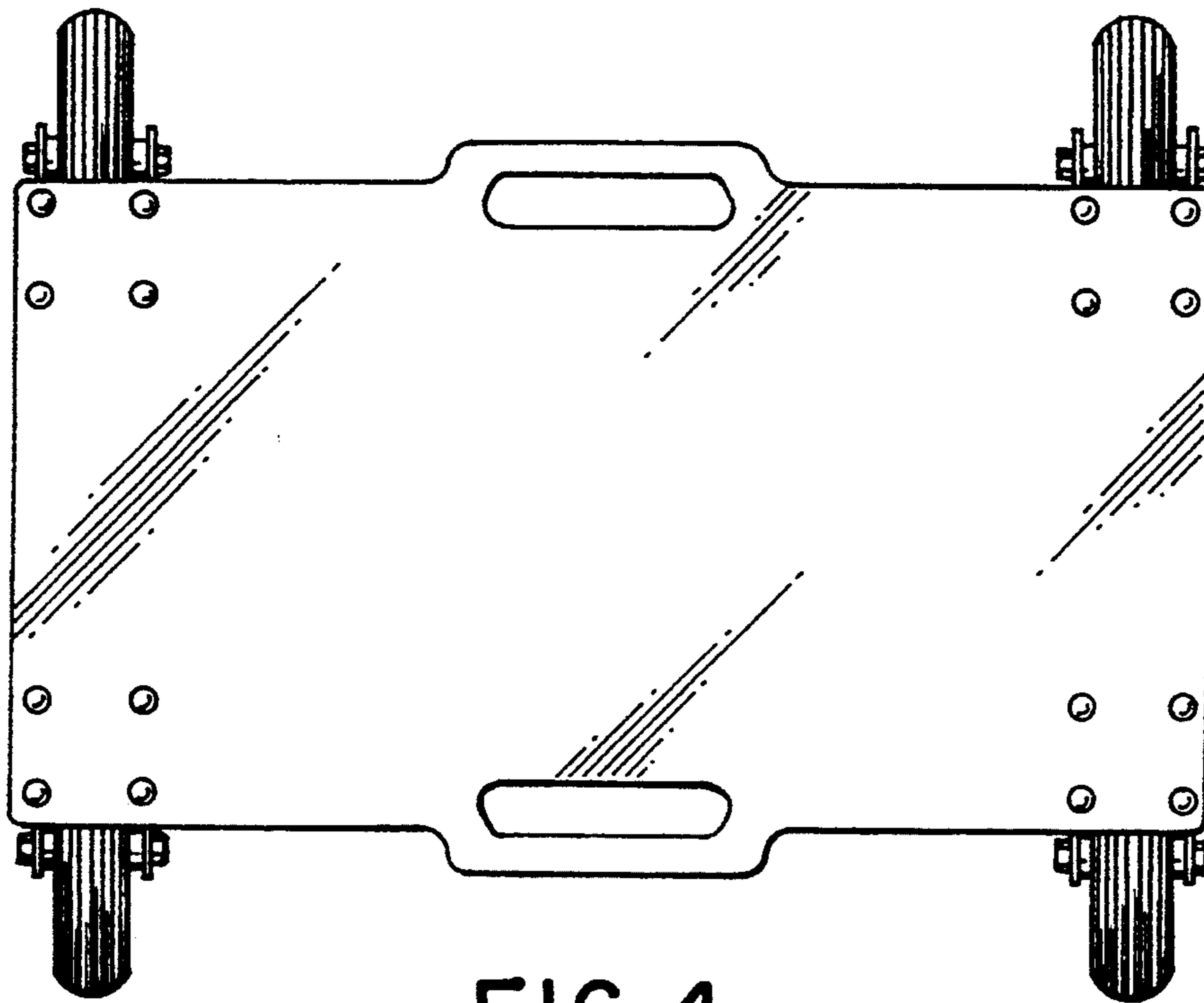


FIG. 4

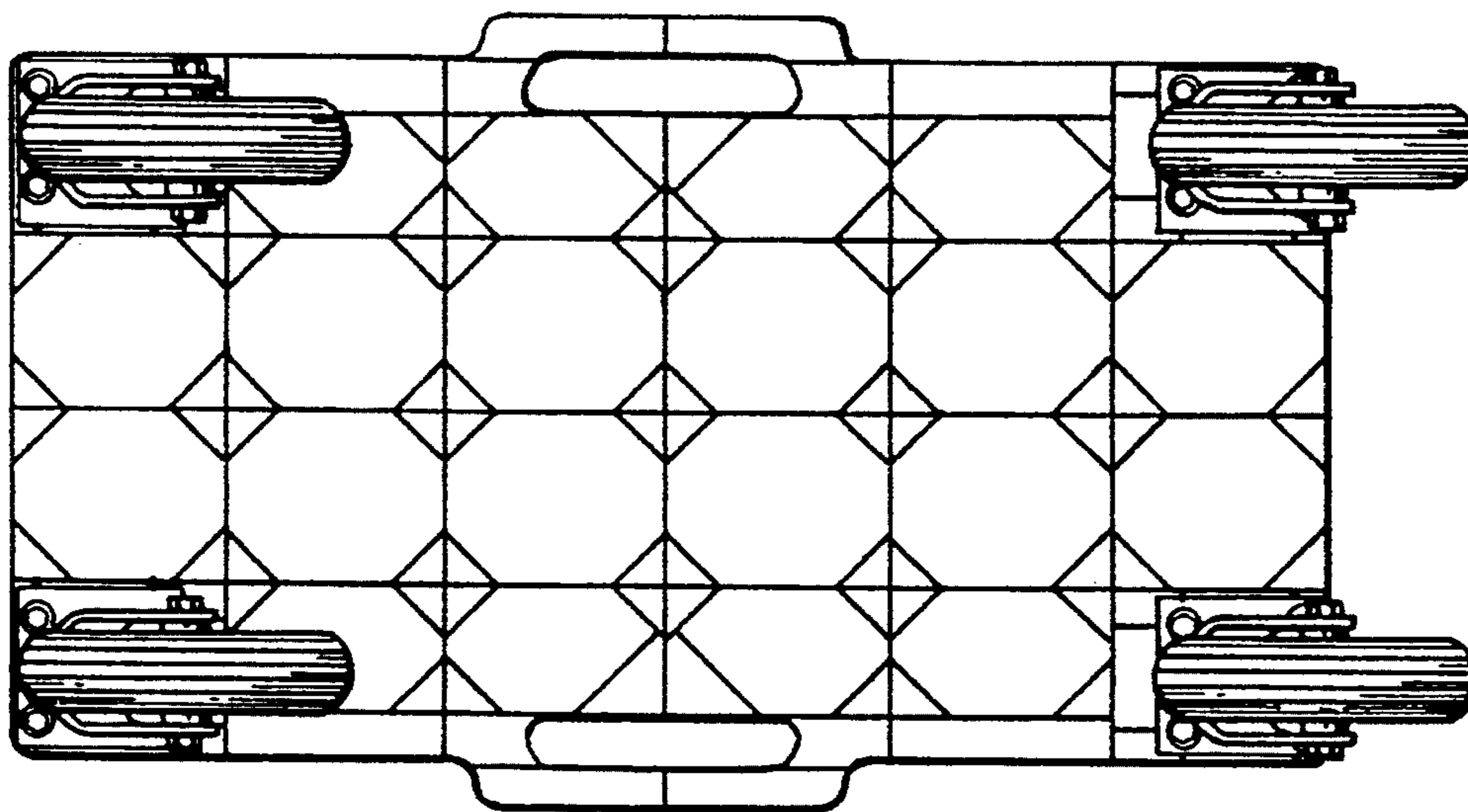


FIG. 5