



US00D356411S

United States Patent [19] Gingras et al.

[11] Patent Number: **Des. 356,411**
[45] Date of Patent: **** Mar. 14, 1995**

- [54] TILT TRUCK
- [75] Inventors: **Eric Gingras; Glen E. Tomblin**, both of Winchester, Va.
- [73] Assignee: **Rubbermaid Commercial Products Inc.**, Winchester, Va.
- [**] Term: **14 Years**
- [21] Appl. No.: **20,854**
- [22] Filed: **Apr. 4, 1994**
- [52] U.S. Cl. **D34/16; D34/12**
- [58] Field of Search **D34/12, 16, 18, 24; 280/47.26, 47.31, 653**

[56] **References Cited**

U.S. PATENT DOCUMENTS

D. 175,069	7/1955	Gandola	D14/3
D. 309,812	8/1990	Wolters et al.	D34/26
D. 311,621	10/1990	Fuller	D34/18
D. 318,165	7/1991	Ayres	D34/26
D. 318,551	7/1991	Ayres	D34/24
D. 321,579	11/1991	Ayres	D34/26
D. 327,350	6/1992	Brown et al.	D34/16
D. 337,409	7/1993	Maple et al.	D34/27
2,102,684	12/1937	Dorward	280/51
3,024,547	3/1962	Harrison	37/130
3,479,048	11/1969	Carlson	280/47.23
3,858,929	1/1975	Brescia	280/47.12
4,335,897	6/1982	Muller, Jr.	280/47.18
4,341,393	7/1982	Gordon et al.	280/47.26
4,511,154	4/1985	Daloisio	280/47.26
4,607,856	8/1986	Saleeba	280/47.18
4,889,360	12/1989	Haviovitz	280/655.1

OTHER PUBLICATIONS

- Sell sheet, Yard cart; Stinger, A Division of DeJay Corp., 3300 PGA Boulevard, Suite 450, Palm Beach Gardens, Florida 33410. Publication date at least as early as Nov., 1992.
- Sell Sheet, Oat cart; Dan's Saddlery Corp., 65 Mahan Street, West Babylon, New York 11704. Publication date at least as early as 1988.
- Sell sheet, Cart; Metal Products Co., P.O. Box 105, Cokato, Minnesota 55321. Publication date at least as early as 1988.

- P. 4, Lawn/leaf cart Estate cart; Kelley Manufacturing Co., 4800 Clinton Drive, Houston, Texas 77020. Publication date at least as early as 1988.
- Sell sheet, Heavy duty carts; Sterling Handling Equipment Inc., P.O. Box 09743, 2300 West Florist Avenue, Milwaukee, Wisconsin 53209. Publication date at least as early as 1988.
- Catalog page, Cart; Step 2 Corporation, Twinsburg, Ohio. Publication date 1993.
- P. 13, Tilt trucks; Chem-tainer Industries, Inc., 361 Neptune Avenue, North Babylon, New York 11704. Publication date 1988.
- P. 13, Yard trucks; C. R. Daniels, Inc., Ellicott Center Drive, Ellicott City, Maryland, 21043-4191. Publication date at least as early as Mar. 1993.
- Catalog page, Tilt-dump; Steele Canvas Basket Corporation, 201 Williams Street, Box 6267 IMCN, Chelsea, Massachusetts 02150-0995. Publication date 1987.
- Sell sheet, Tilt trucks; Rotocast, address unknown. Publication date Dec., 1988.
- Sell sheet, Yard cart, Toter Incorporated, 841 Meacham Road, Statesville, North Carolina 28677. Publication date Apr., 1991.

(List continued on next page.)

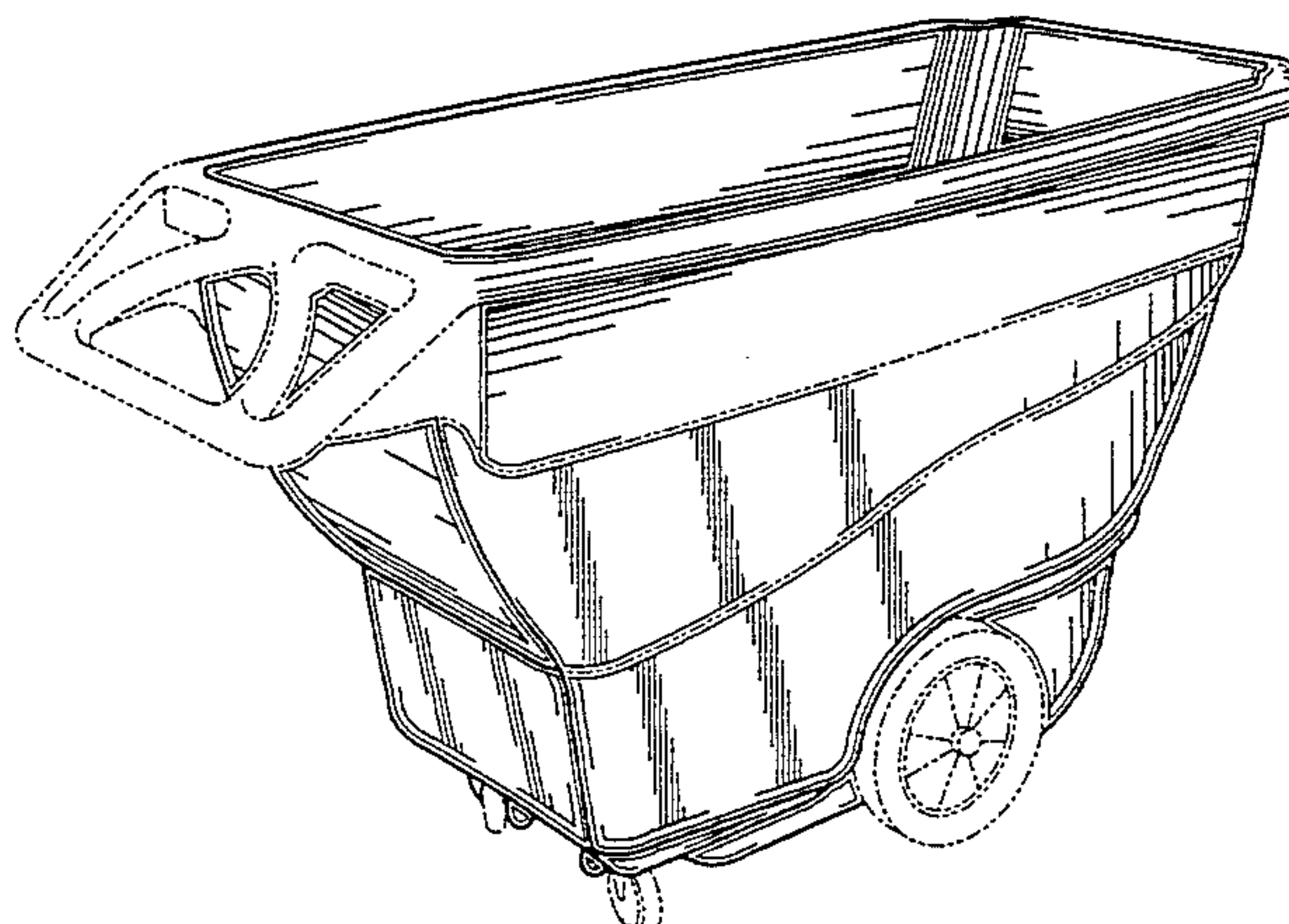
Primary Examiner—Kay H. Chin
Attorney, Agent, or Firm—Richard B. O'Planick; Lisa B. Riedesel

[57] **CLAIM**

The ornamental design for a tilt truck, as shown and described.

DESCRIPTION

- FIG. 1 is a top rear left side perspective view of a tilt truck showing our new design. The broken lines are for illustrative purposes only and form no part of the claimed design;
- FIG. 2 is a left side elevational view thereof; the right side elevational view being a mirror image;
- FIG. 3 is a top plan view thereof;
- FIG. 4 is a bottom plan view thereof;
- FIG. 5 is a front elevational view thereof; and,
- FIG. 6 is a rear elevational view thereof.



OTHER PUBLICATIONS

P. 6, Tilt trucks and self-dumping hoppers; Techstar Plastics, Inc., 140 Simcoe Street, North, Port Perry, Ontario, Canada L9L1L8. Publication date at least as early as Mar. 1993.

Sell sheet, Tilt truck; InterMetro Industries Corporation, Wilkes-Barre, Pennsylvania 18705. Publication

date at least as early as Mar., 1993.

P. 23, Tilt trucks; Continental Manufacturing Company, 123 Byassee Drive, Hazelwood, Missouri 63042. Publication date May, 1992.

Pp. 4 and 6, Tilt trucks and self-dumping hoppers; Rubbermaid Commercial Products Inc., 3124 Valley Avenue, Winchester, Virginia 22601. Publication date 1992.

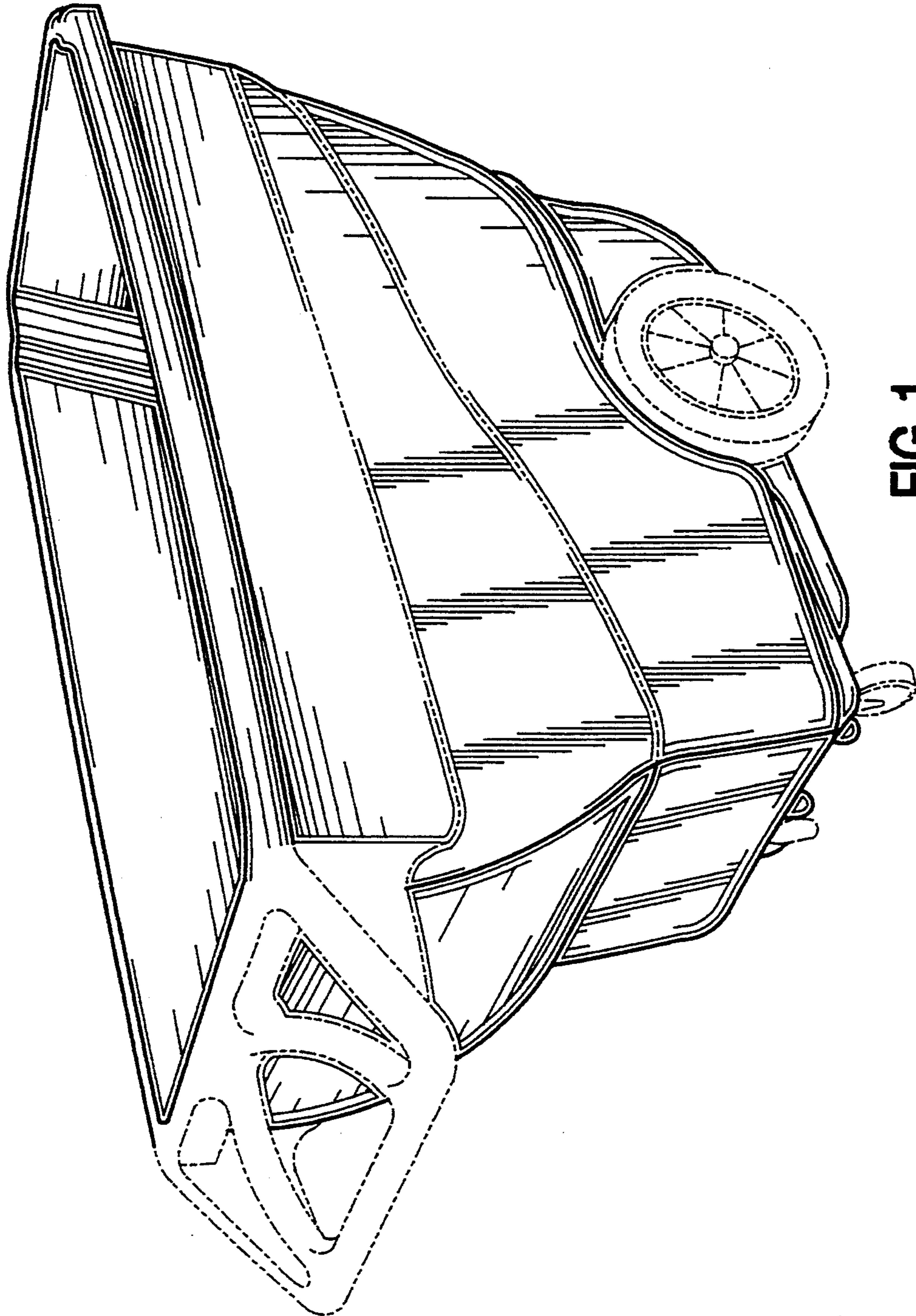


FIG. 1

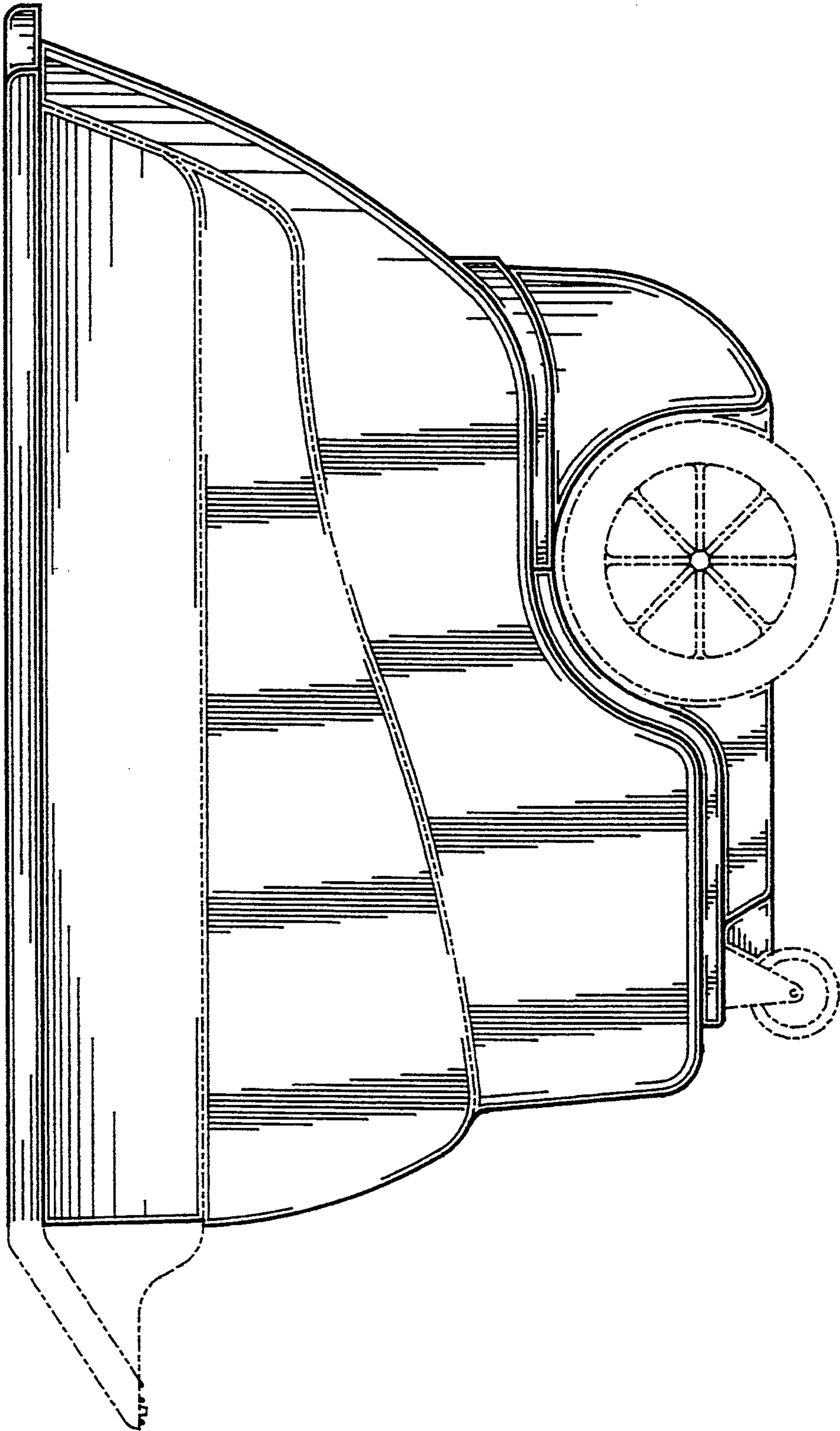


FIG. 2

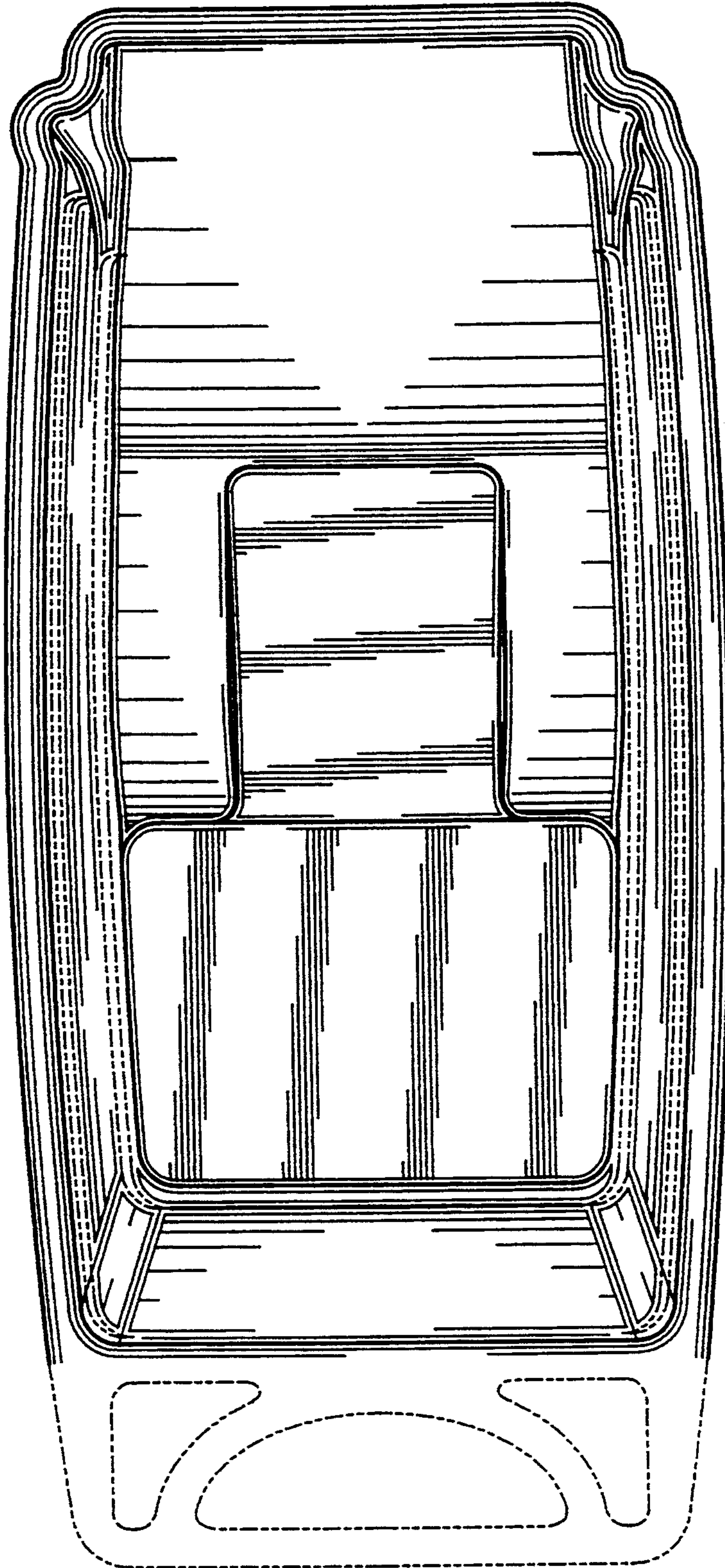


FIG. 3

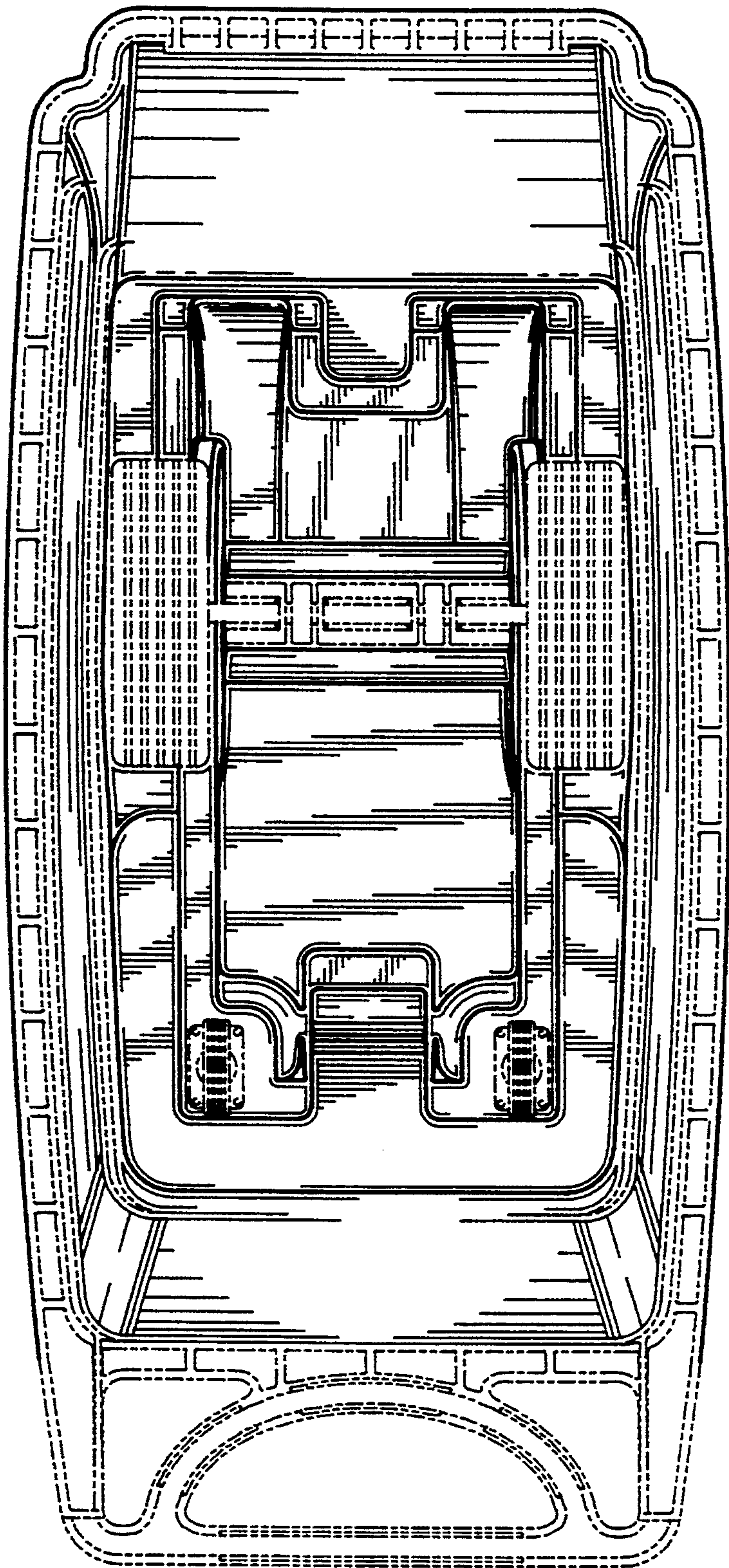


FIG. 4

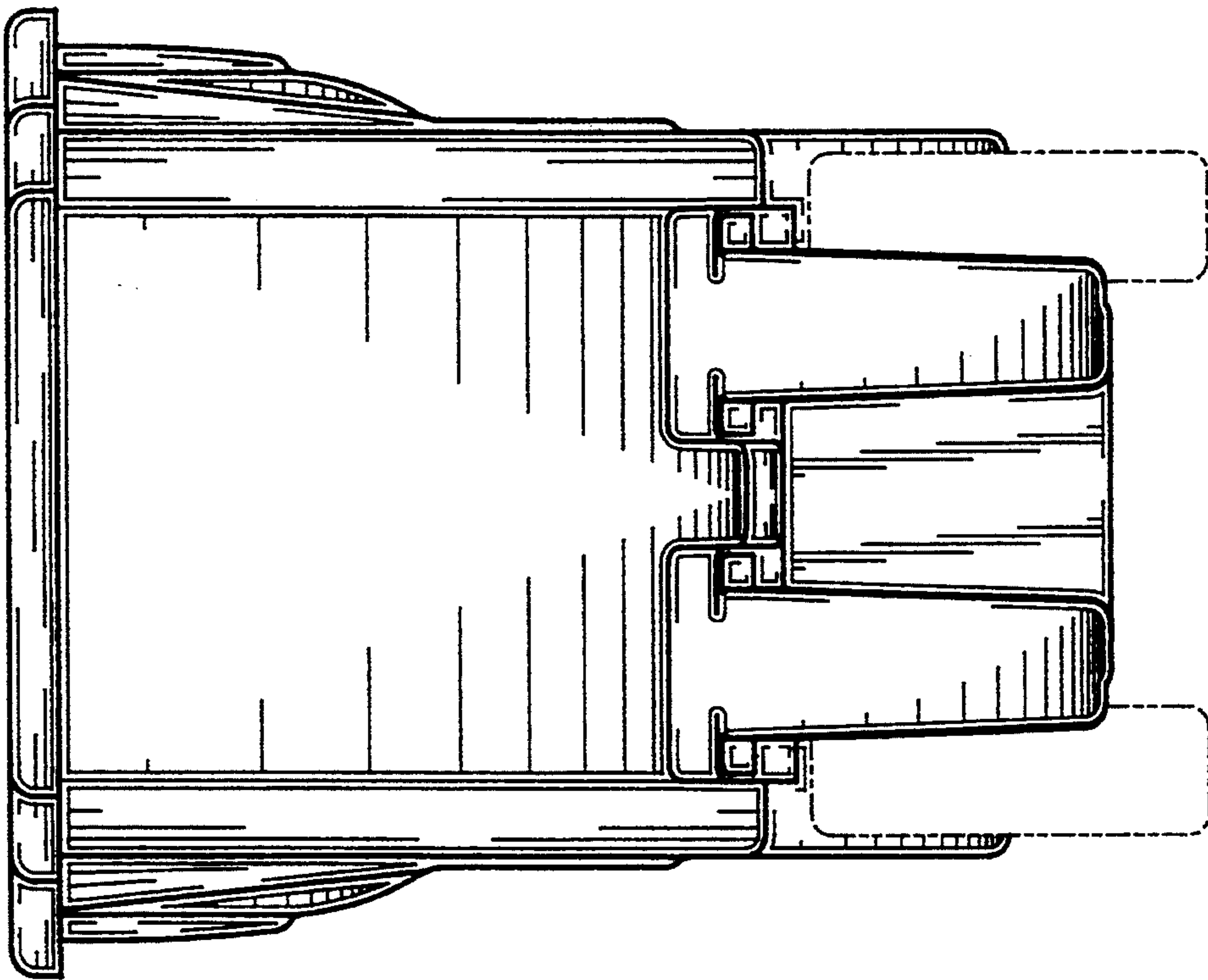


FIG. 5

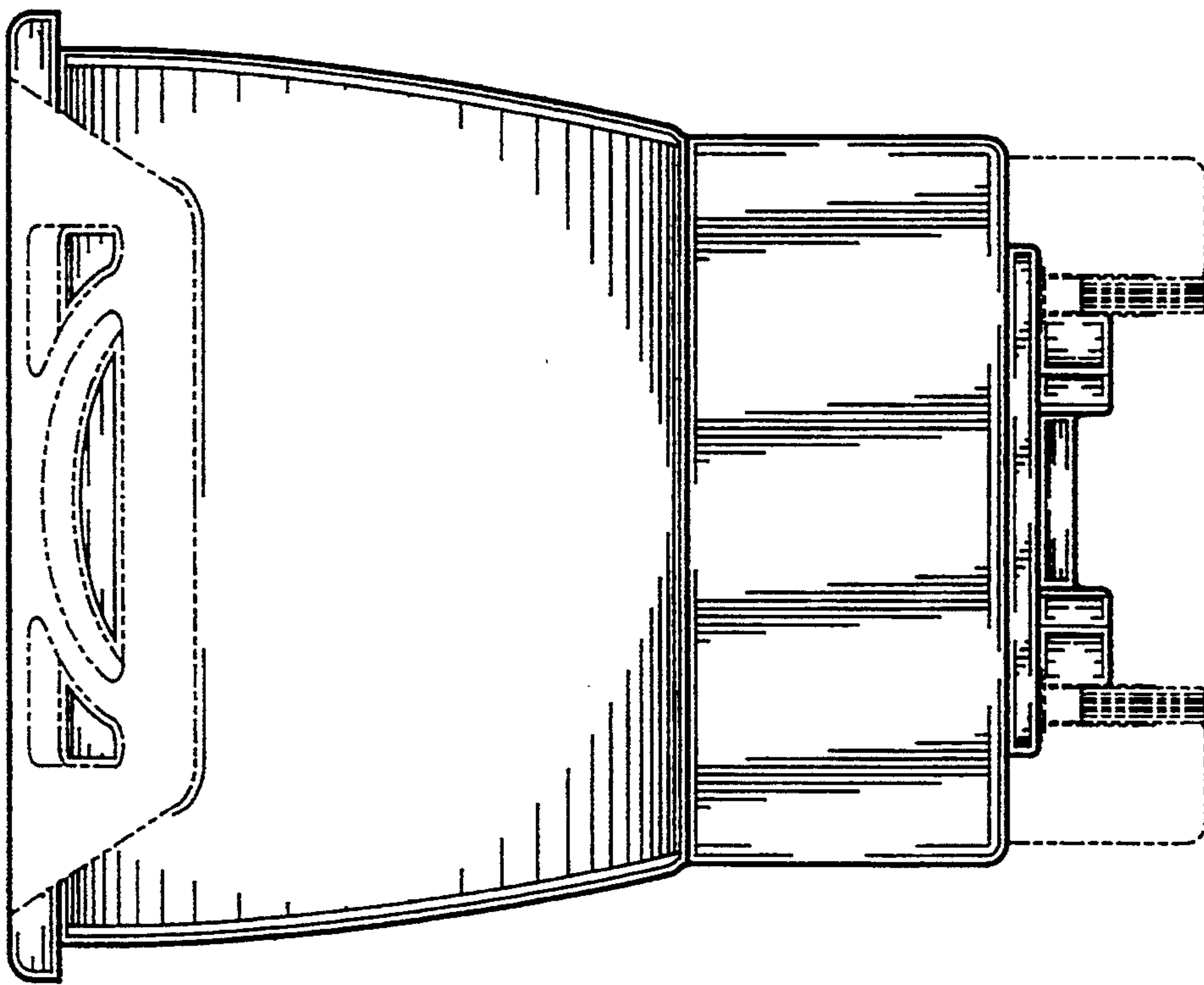


FIG. 6