



US00D356410S

United States Patent [19] Cole

[11] Patent Number: **Des. 356,410**

[45] Date of Patent: **** Mar. 14, 1995**

[54] **CART FOR CARRYING A COOLER AND OTHER ITEMS**

[76] Inventor: **James P. Cole**, 22 Helen Dr.,
Madisonville, La. 70447

[**] Term: **14 Years**

[21] Appl. No.: **21,144**

[22] Filed: **Apr. 11, 1994**

[52] U.S. Cl. **D34/15; D34/24**

[58] Field of Search **D34/12, 15, 17, 24,
D34/25, 26; 280/DIG. 5, DIG. 6, 47.26, 40,
47.24, 47.19, 654, 645**

[56] **References Cited**

U.S. PATENT DOCUMENTS

D. 269,472 6/1983 Avis D34/15
4,793,622 12/1988 Sydlow 280/40

4,887,835 12/1989 Dallaire et al. 280/DIG. 6
5,193,842 3/1993 Fontenot 280/47.26

Primary Examiner—Kay H. Chin
Attorney, Agent, or Firm—Terry M. Gernstein

[57] **CLAIM**

The ornamental design for a cart for carrying a cooler and other items, as shown and described.

DESCRIPTION

FIG. 1 is a front, top and side perspective view of the cart for carrying a cooler and other items showing my new design;

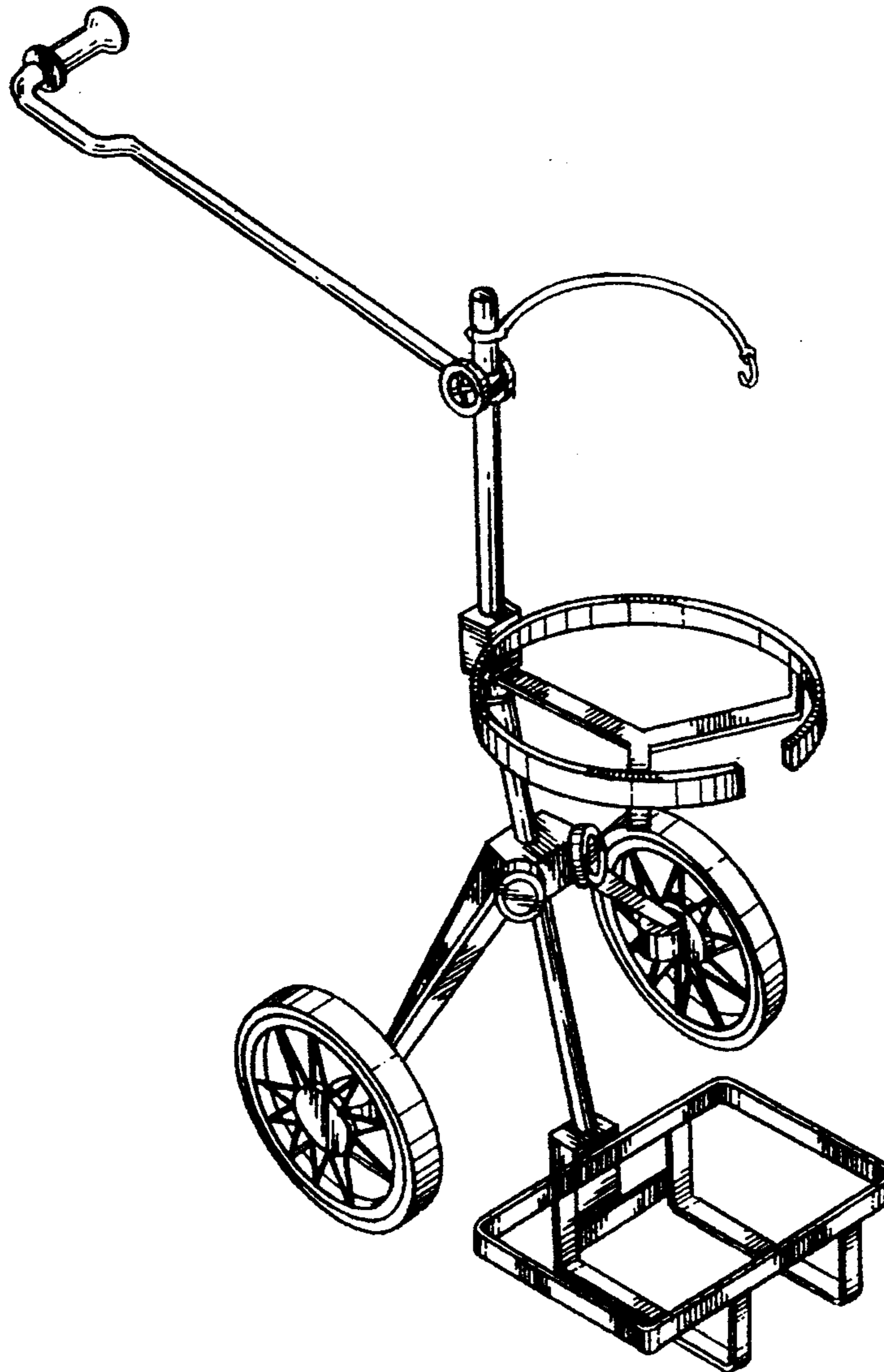
FIG. 2 is a front elevational view thereof;

FIG. 3 is a rear elevational view thereof;

FIG. 4 is a side elevational view thereof, the side opposite being a mirror image of the side shown in FIG. 4;

FIG. 5 is a top plan view thereof; and,

FIG. 6 is a bottom plan view thereof.



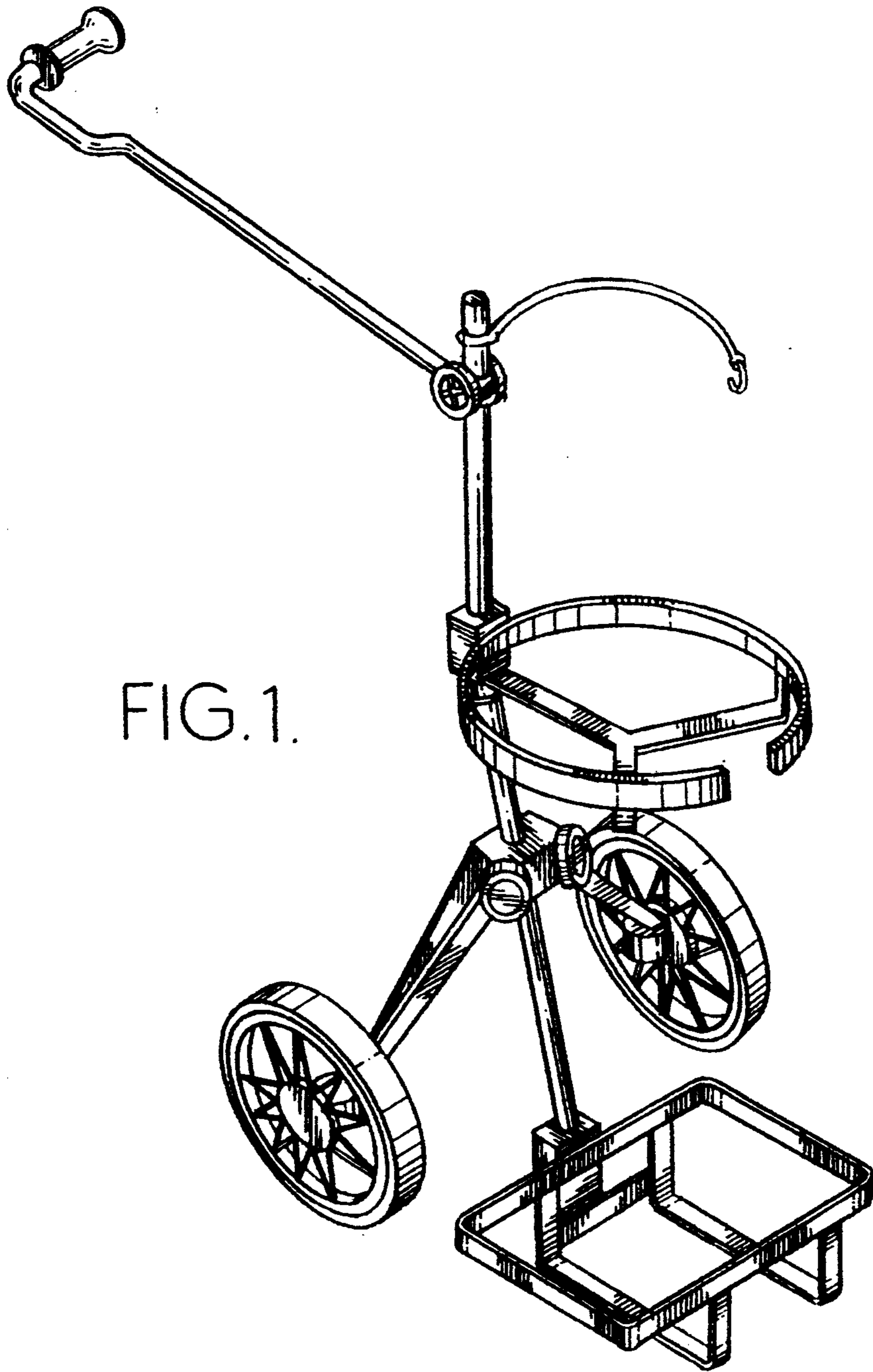


FIG. 1.

FIG. 2.

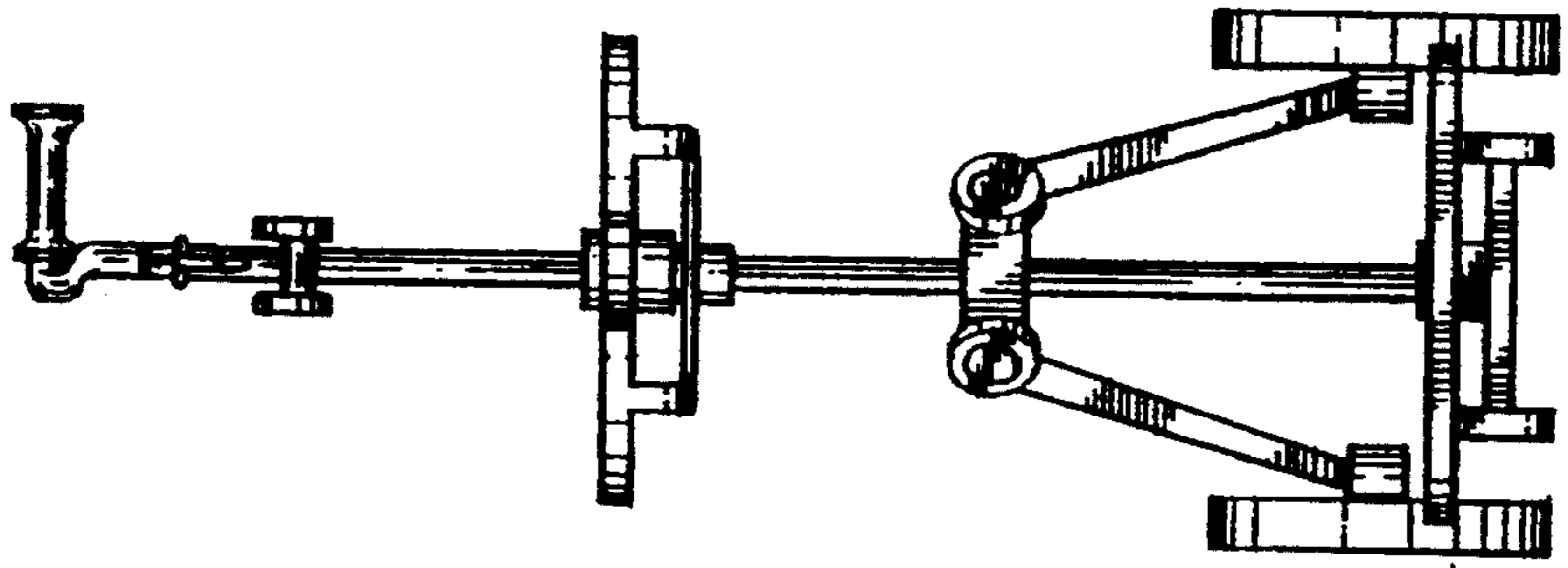


FIG. 4.

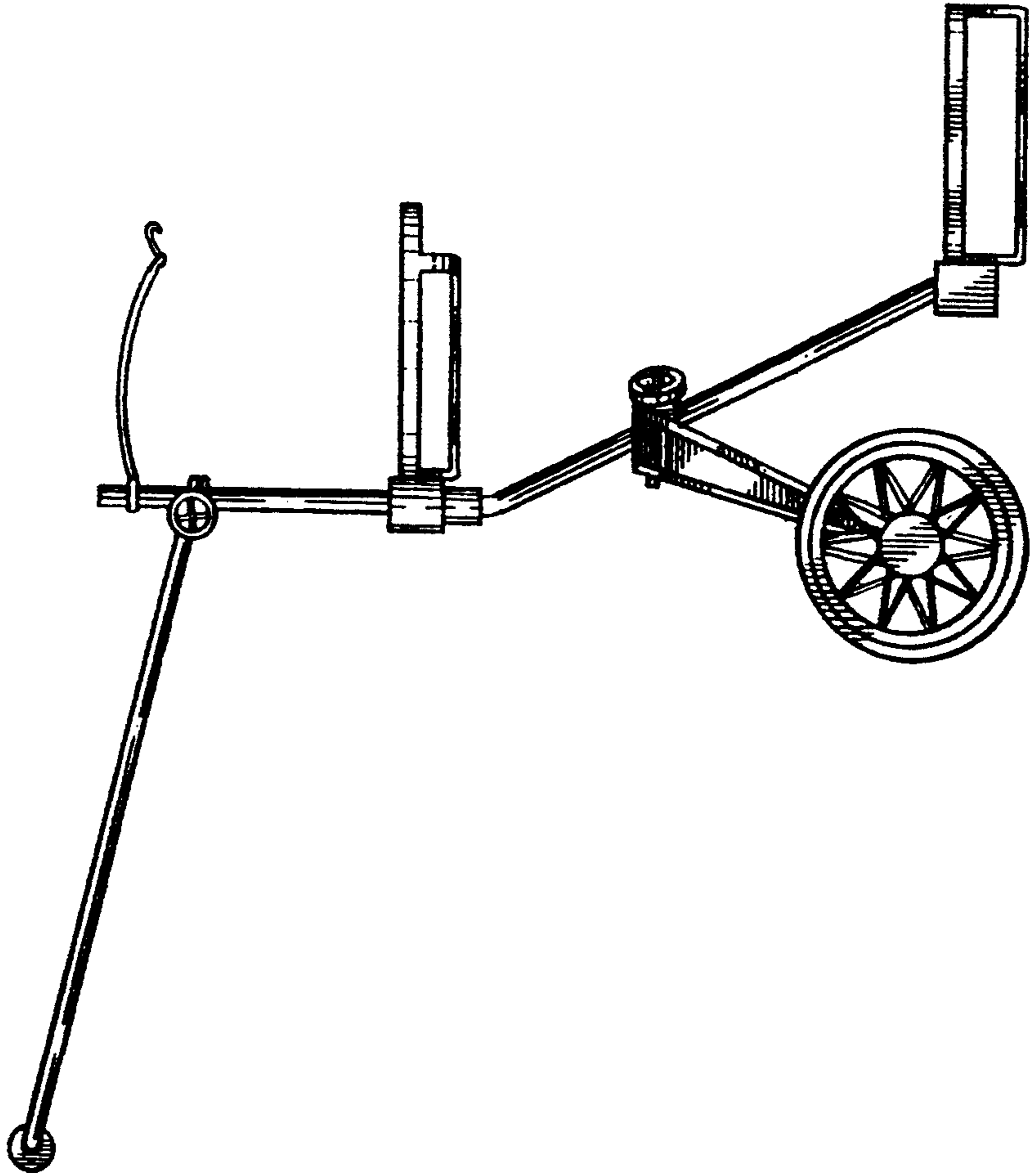


FIG. 6.

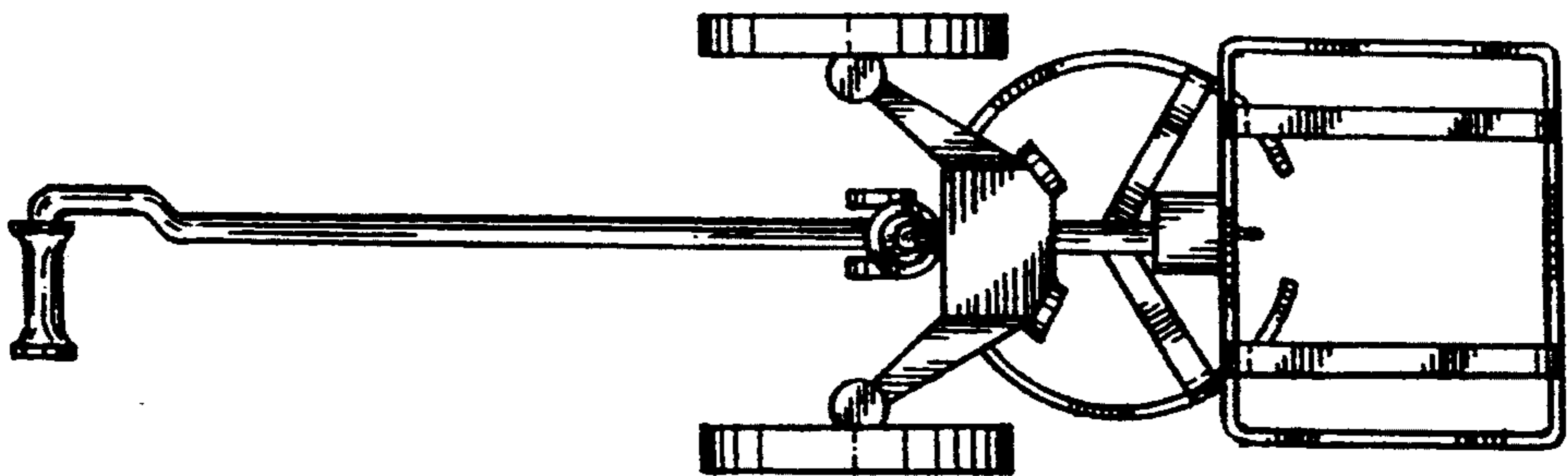


FIG. 3.

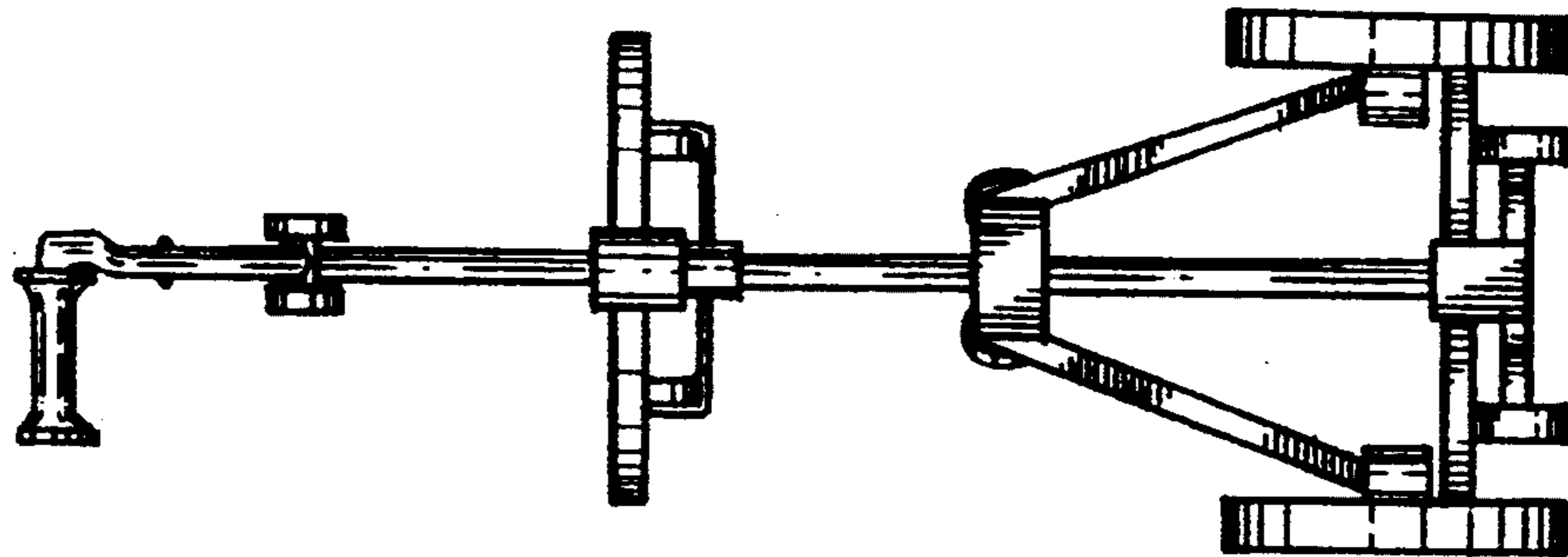


FIG. 5.

