



US00D356406S

United States Patent [19]

[11] Patent Number: **Des. 356,406**

Emery

[45] Date of Patent: **** Mar. 14, 1995**

[54] FIRE HOSE WRINGER

[76] Inventor: **Frederick J. Emery**, 14605 Tracy Ct.,
Red Bluff, Calif. 96080

[**] Term: **14 Years**

[21] Appl. No.: **10,491**

[22] Filed: **Jul. 12, 1993**

[52] U.S. Cl. **D32/27; D12/4**

[58] Field of Search **D32/7, 27; 68/272, 244,
68/22 A, 17 R; D12/13, 155**

[56] **References Cited**

U.S. PATENT DOCUMENTS

D. 84,504	6/1931	Kauffman, 2d	D32/27
D. 179,921	3/1957	Sibbald	D32/27
D. 301,073	5/1989	Haack	D32/27
1,866,779	7/1932	Snyder	68/17 R
1,993,319	3/1935	Davis	D32/27
2,229,269	1/1941	Altorfer	D32/27

FOREIGN PATENT DOCUMENTS

249570 2/1964 Australia 68/272
600197 4/1948 United Kingdom 68/22 A

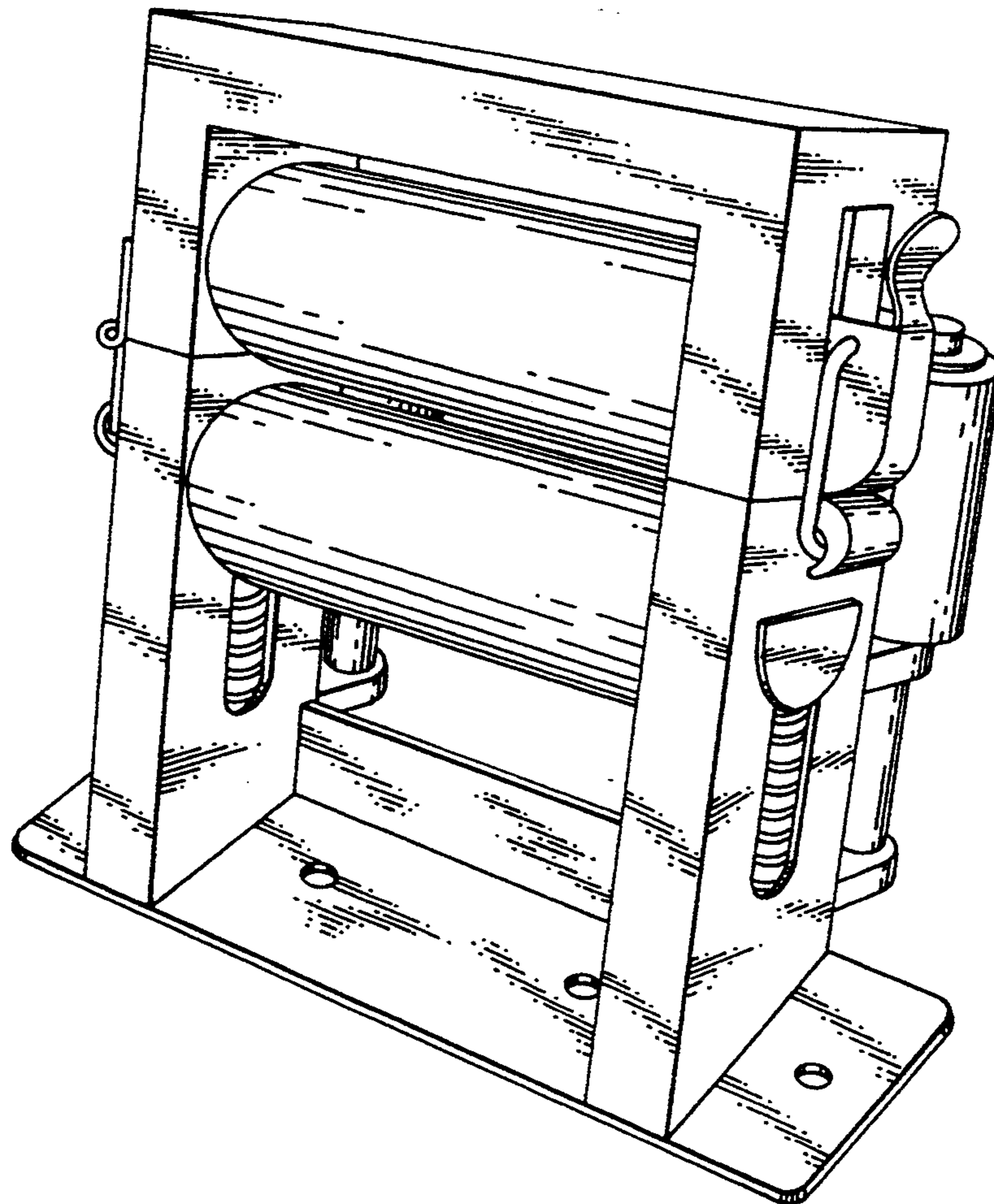
Primary Examiner—Cathy Anne MacCormac
Attorney, Agent, or Firm—Lothrop & West

[57] **CLAIM**

The ornamental design for a fire hose wringer, as shown and described.

DESCRIPTION

FIG. 1 is a perspective view of a fire hose wringer, showing my new design;
FIG. 2 is an elevational view of the latch side thereof;
FIG. 3 is an elevational view of the hinge side thereof;
FIG. 4 is a rear elevation thereof;
FIG. 5 is a front elevation thereof;
FIG. 6 is a top plan view thereof;
FIG. 7 is a bottom plan view thereof; and,
FIG. 8 is a perspective view thereof similar to FIG. 1 but with the top roll frame unlatched and in open position to receive or release fire hose with large couplers.



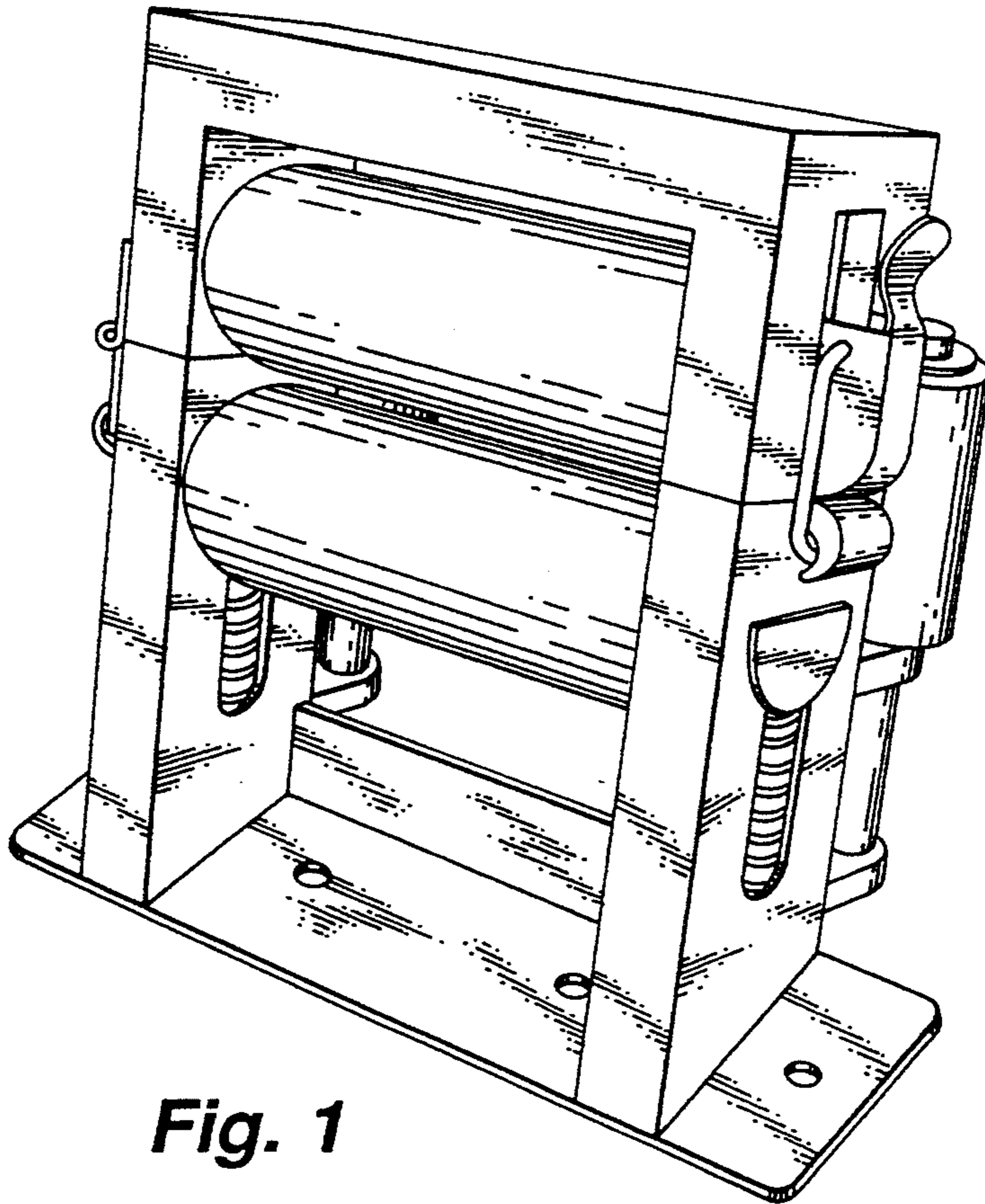


Fig. 1

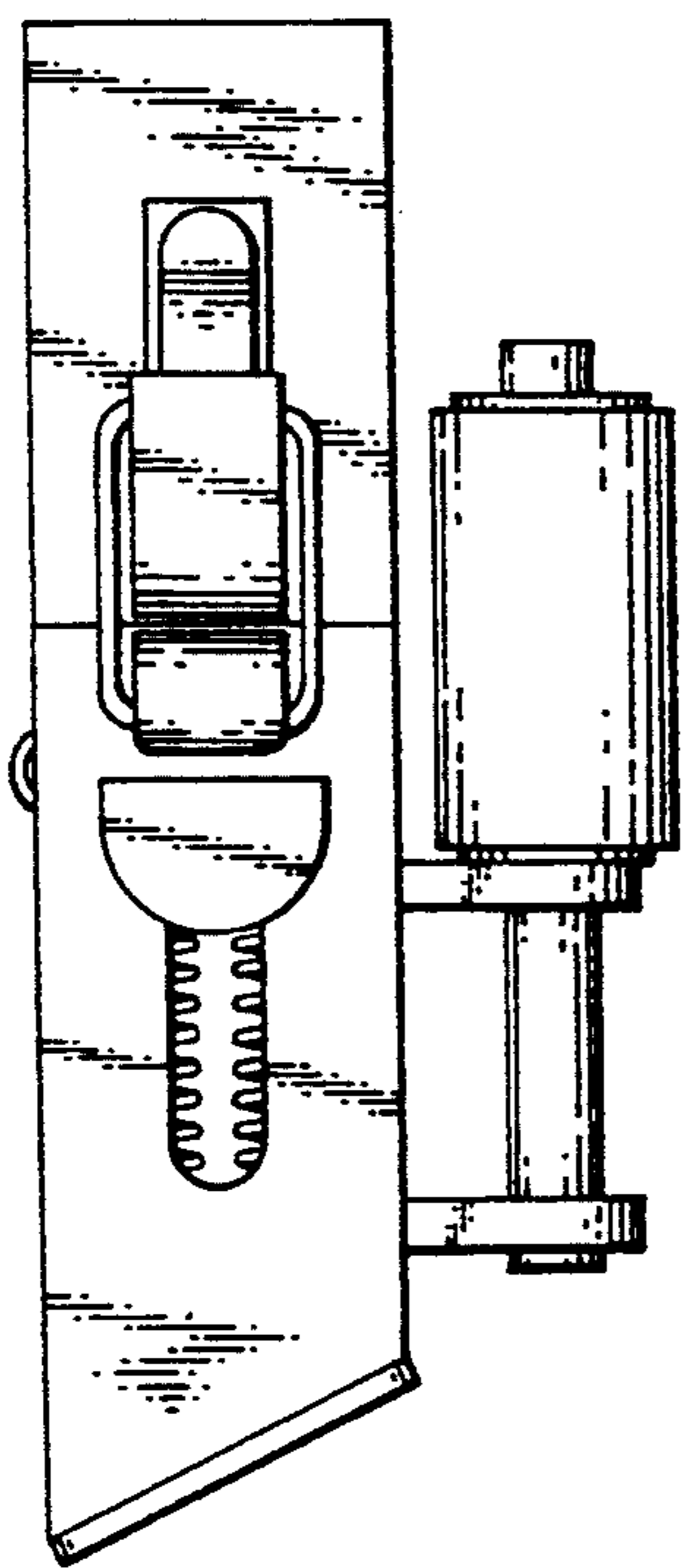


Fig. 2

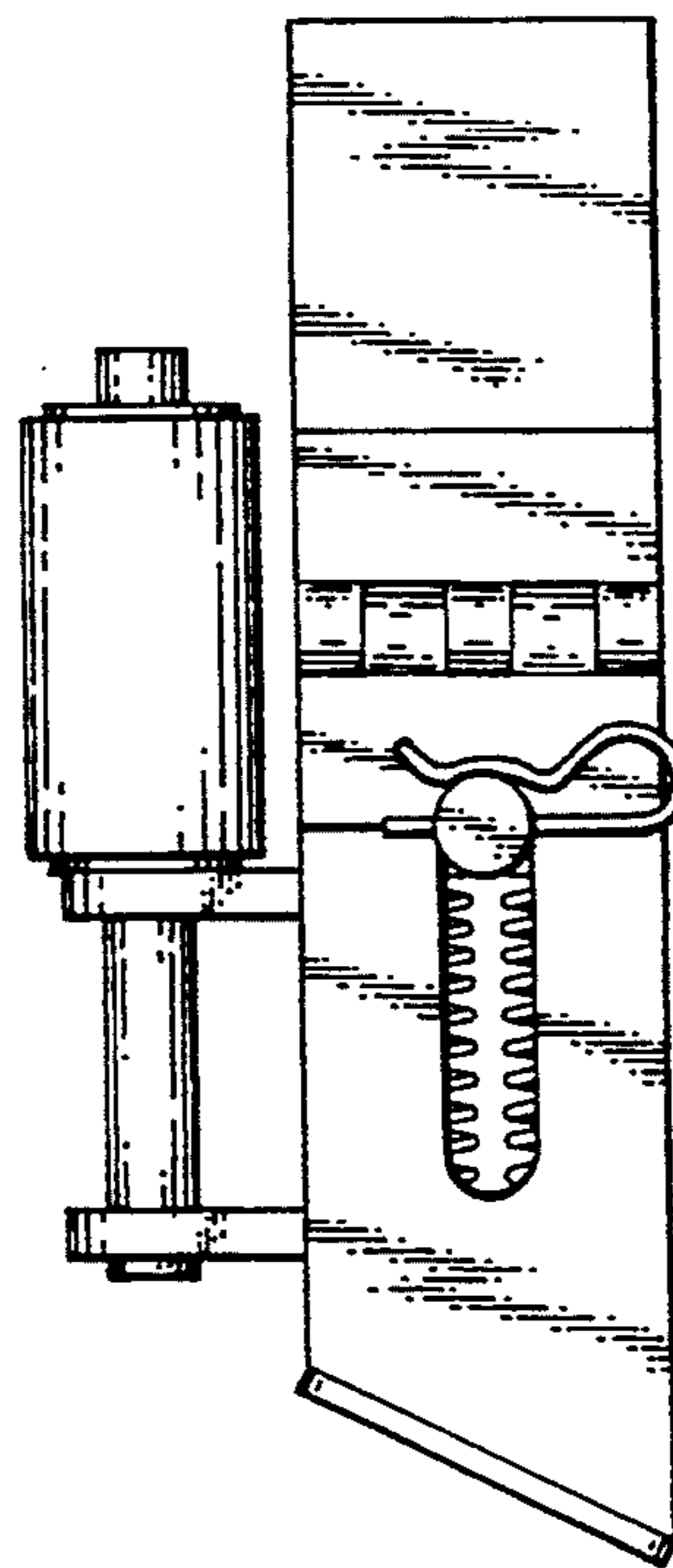


Fig. 3

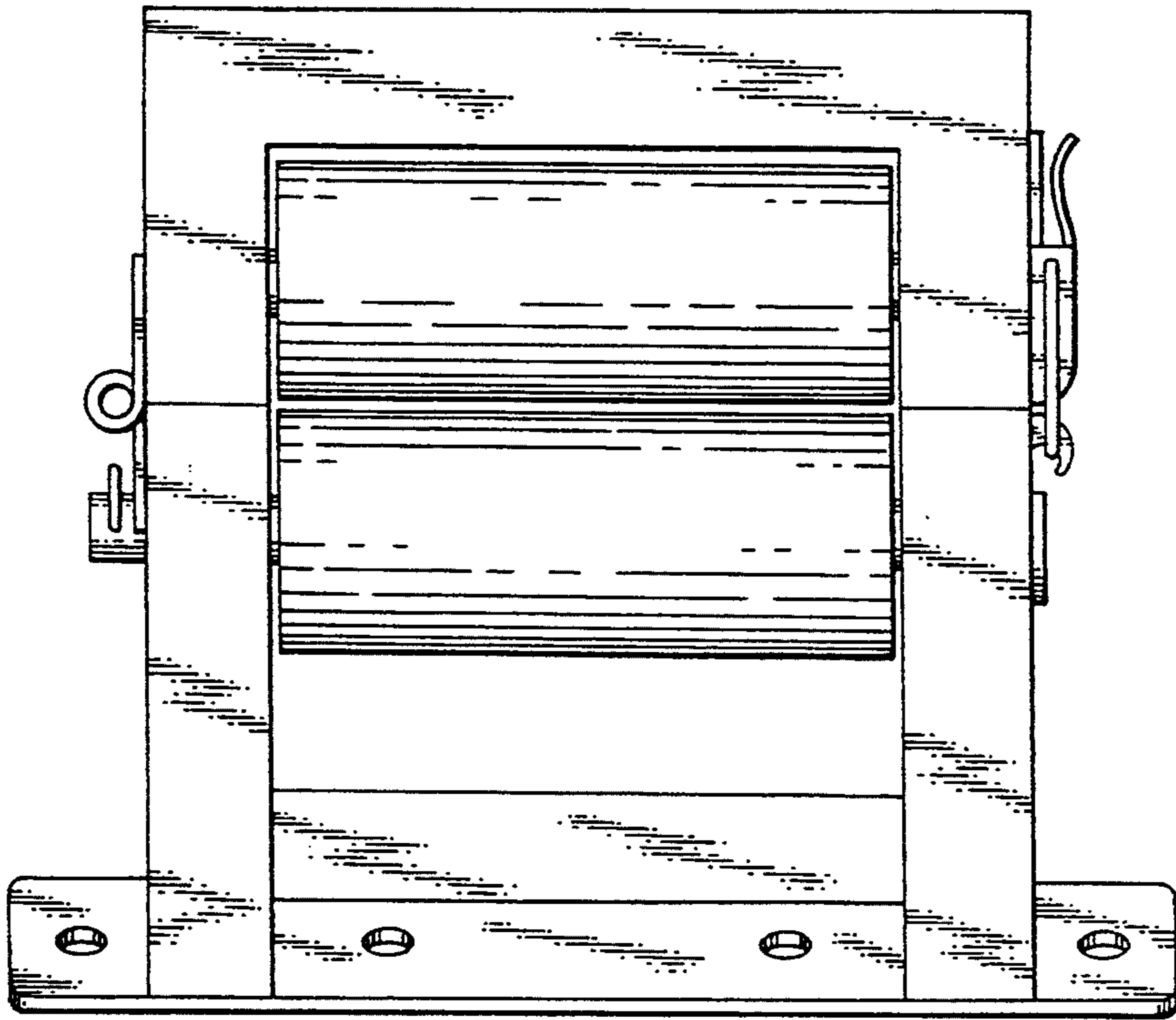


Fig. 4

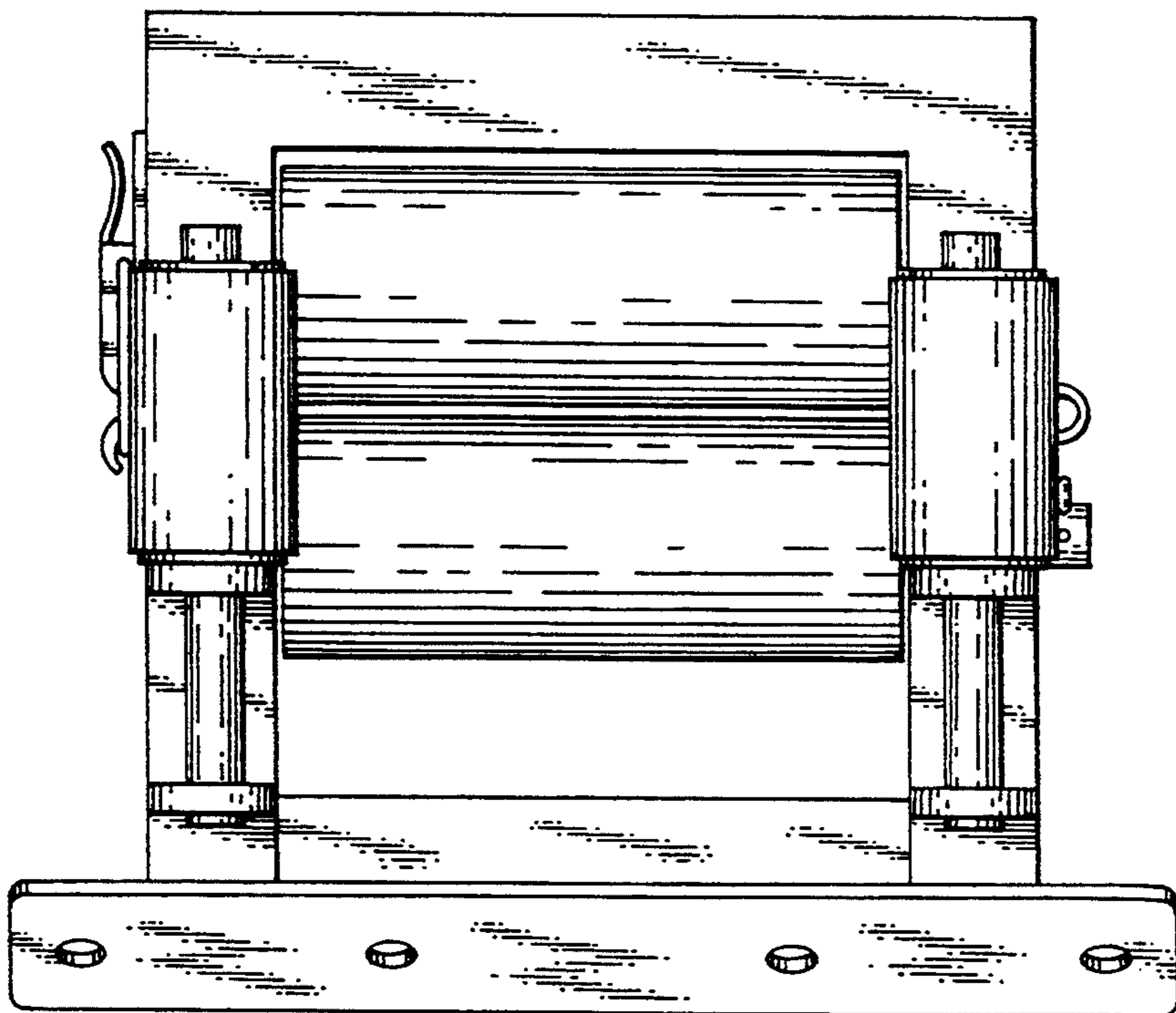


Fig. 5

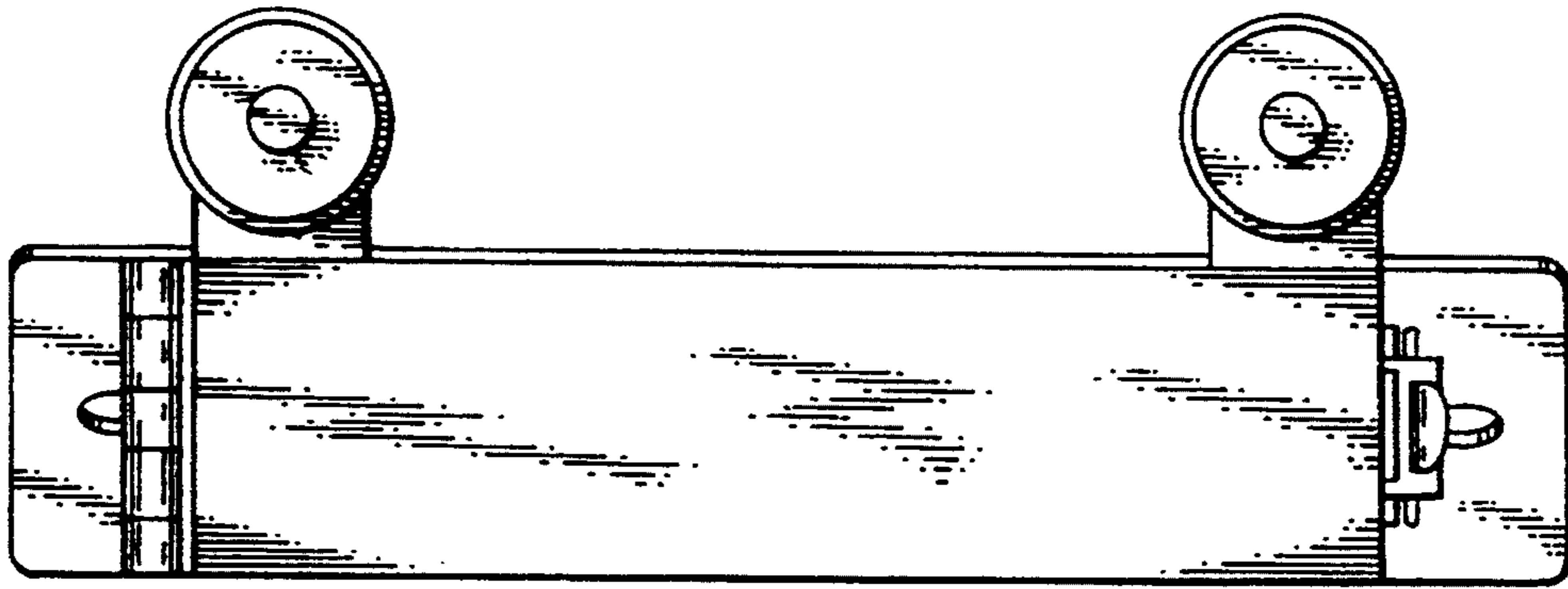


Fig. 6

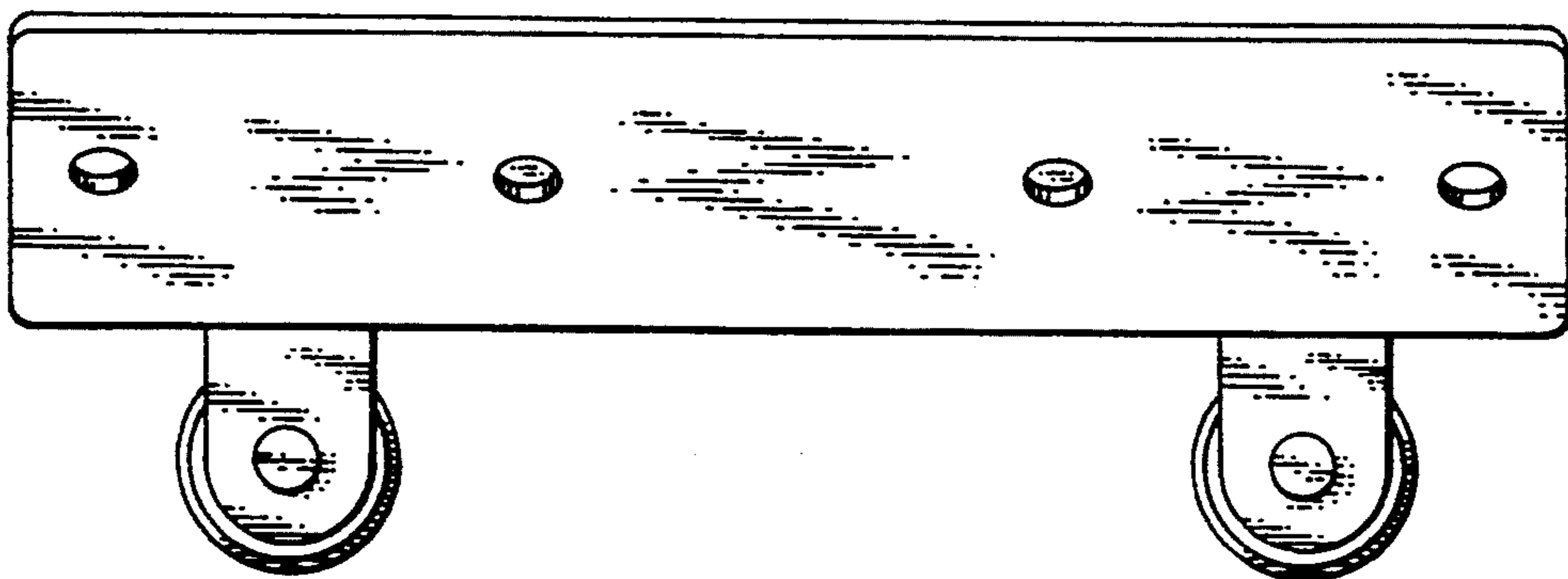


Fig. 7

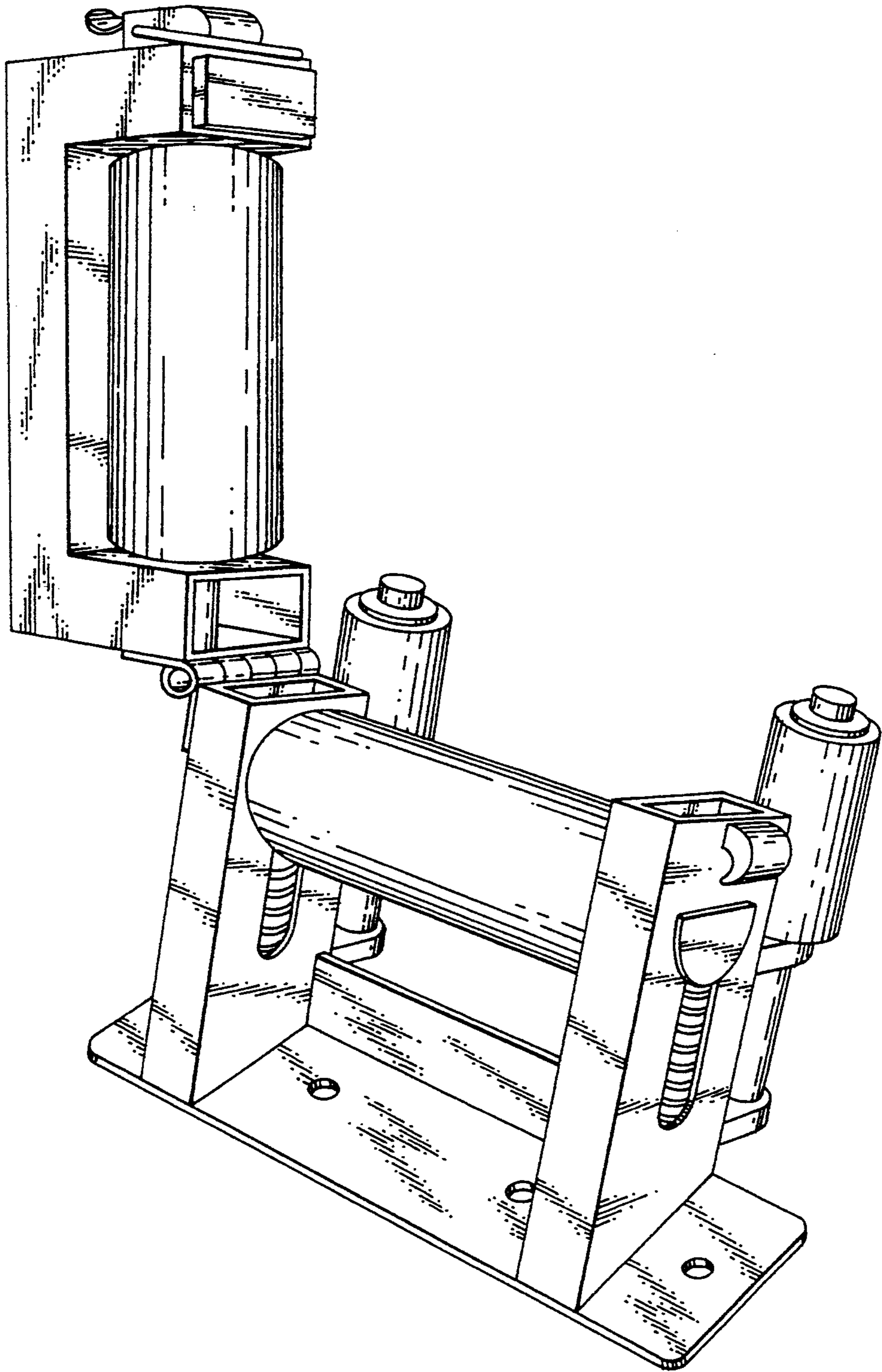


Fig. 8